



US00D791688S

(12) **United States Design Patent** (10) **Patent No.:** **US D791,688 S**  
**Trowbridge et al.** (45) **Date of Patent:** **\*\* Jul. 11, 2017**

(54) **TIRE TREAD**

(71) Applicants: **Compagnie Generale des Etablissements Michelin**, Clermont-Ferrand (FR); **Michelin Recherche et Technique S.A.**, Granges-Paccot (CH)  
  
(72) Inventors: **Jeremy Trowbridge**, Greenville, SC (US); **Lee A Montgomery**, Piedmont, SC (US); **Kai Yang**, Greenville, SC (US); **Ronald Cress**, Clermont-Ferrand (FR); **Anant Jha**, Gurgano (IN)

(73) Assignees: **Compagnie Generale Des Etablissements Michelin**, Clermont-Ferrand (FR); **Michelin Recherche et Technique S.A.**, Granges-Paccot (CH)

(\*\*) Term: **15 Years**

(21) Appl. No.: **29/556,456**

(22) Filed: **Mar. 1, 2016**

(51) **LOC (10) Cl.** ..... **12-15**

(52) **U.S. Cl.**  
USPC ..... **D12/588**

(58) **Field of Classification Search**  
USPC ..... 152/5, 151, 152.1, 167, 208, 152/209.1-209.28, 246, 450, 526, 527, 152/532, 535, 538, 541; D12/145, D12/500-605, 900-901  
CPC ..... B60C 11/00; B60C 2011/0337; B60C 2011/0339; B60C 2011/0386; B60C 3/00; B60C 3/08; B60C 1/00; B60C 2200/00; B60C 2200/02; B60C 2200/04; B60C 2200/06; B60C 2200/065; B60C 2200/08; B60C 2200/10; B60C 2200/12; B60C 2200/14; B60C 7/00; B60C 7/02; B60C 7/04; B60C 7/06; B60C 7/08; B60C 5/00; B60C 13/00

See application file for complete search history.

(56) **References Cited**

U.S. PATENT DOCUMENTS

D464,614 S *	10/2002	Irimiya .....	D12/588
D531,115 S *	10/2006	Ikeda .....	D12/588
D621,344 S *	8/2010	Yamaguchi .....	D12/588
D686,973 S *	7/2013	Otani .....	D12/588
D728,460 S *	5/2015	Sylvino .....	D12/583
D732,465 S *	6/2015	Yamada .....	D12/588
D738,814 S *	9/2015	Otani .....	D12/595
D739,813 S	9/2015	Moore et al.	
D739,814 S	9/2015	Moore et al.	
D742,809 S *	11/2015	Renis .....	D12/583
D773,384 S *	12/2016	Nakahara .....	D12/583
2015/0107736 A1 *	4/2015	Hong .....	B60C 11/0041 152/209.5

\* cited by examiner

*Primary Examiner* — Manpreet Matharu

*Assistant Examiner* — Keith Wilson

(57) **CLAIM**

The ornamental design for a tire tread, as shown and described.

**DESCRIPTION**

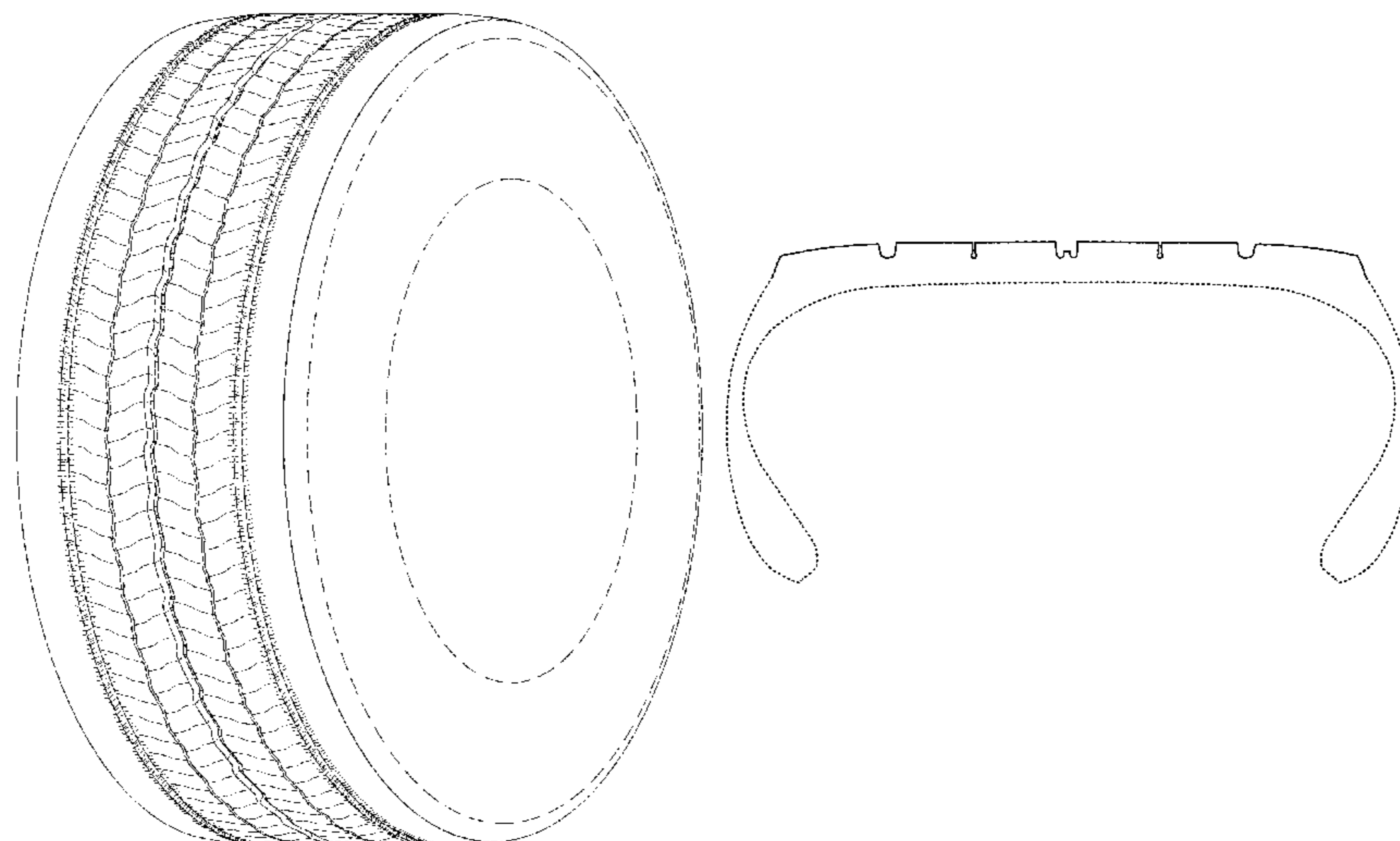
FIG. 1 is a perspective view of a tire tread showing our new design, it being understood that the tread is repeated throughout the circumference of the tire, the opposite side perspective being substantially identical thereto, it being understood that the sidewall forms no part of the claimed design;

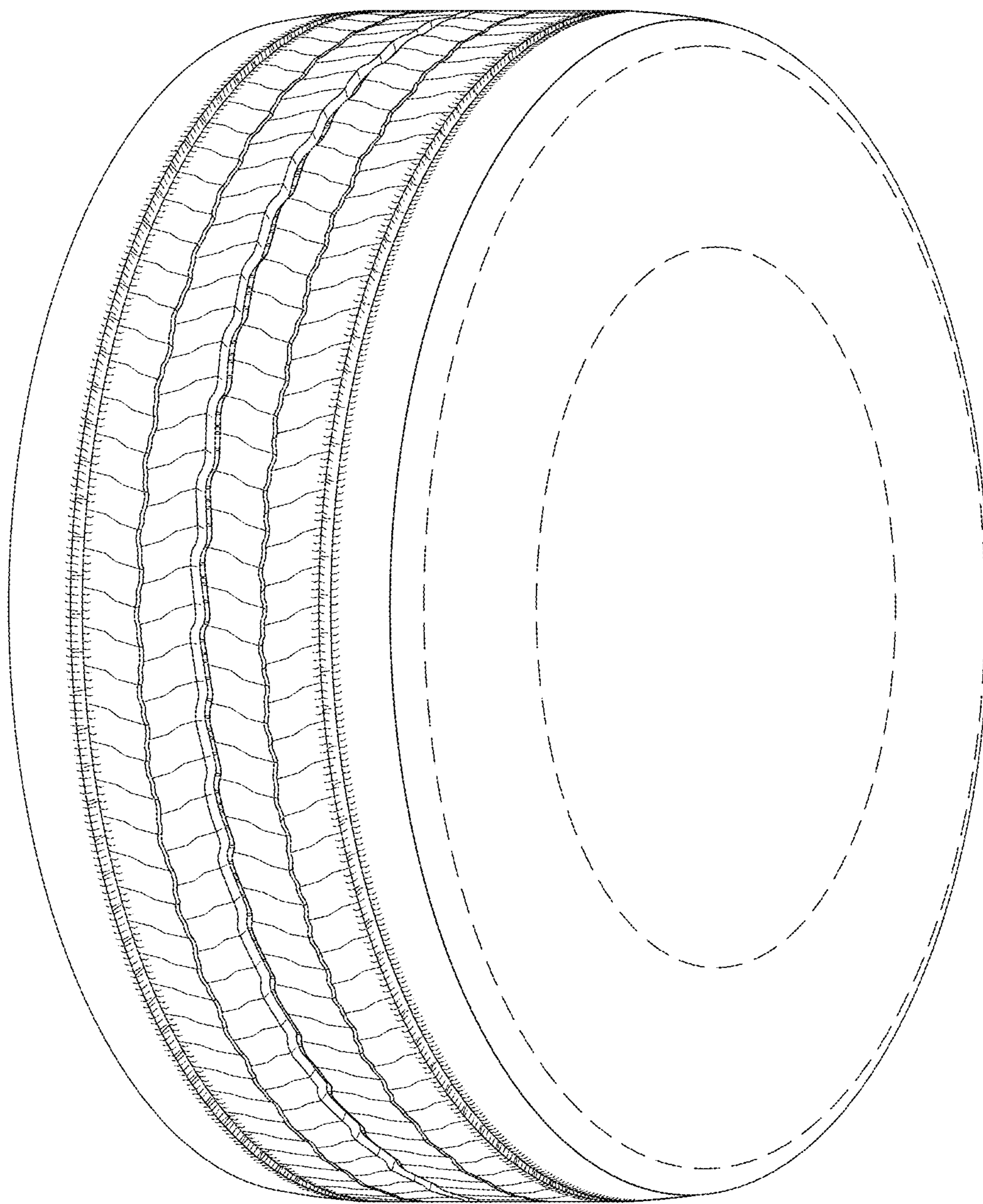
FIG. 2 is a front elevation view thereof, the rear elevation being identical thereto;

FIG. 3 is a side elevation view thereof, the opposite side elevation being a mirror image thereof; and,

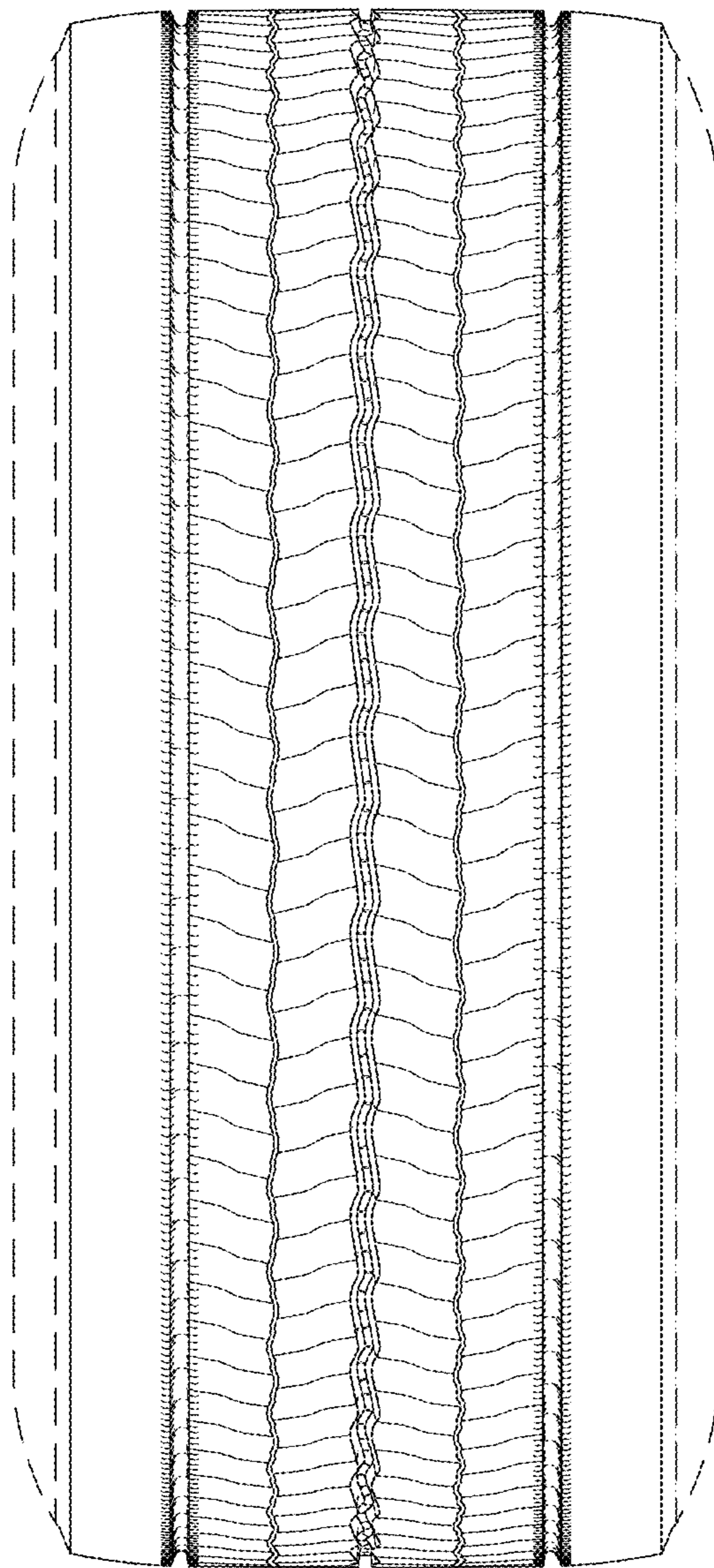
FIG. 4 is a section view of a tire incorporating the tire tread of FIG. 1.

**1 Claim, 4 Drawing Sheets**



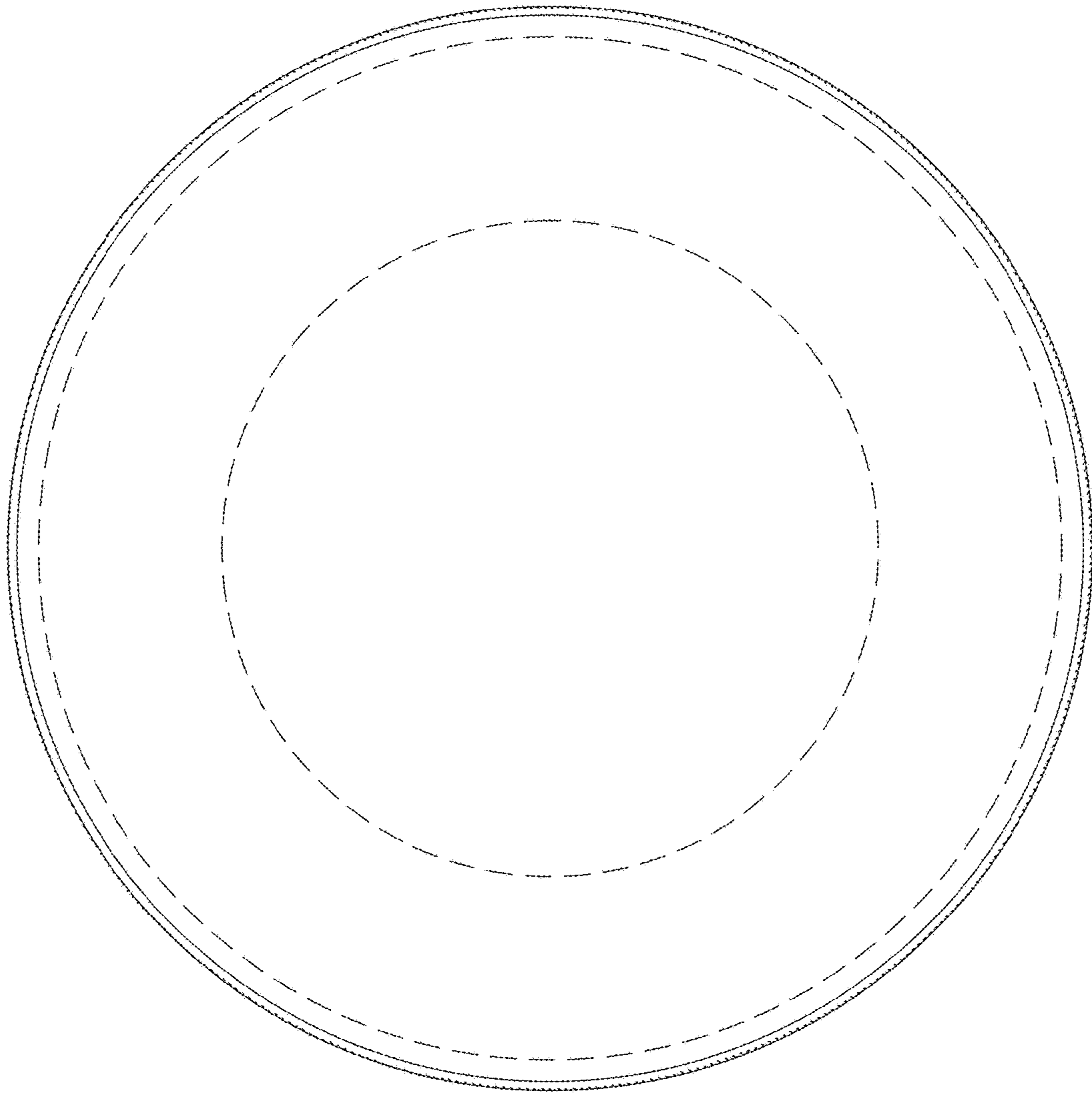


**FIG. 1**

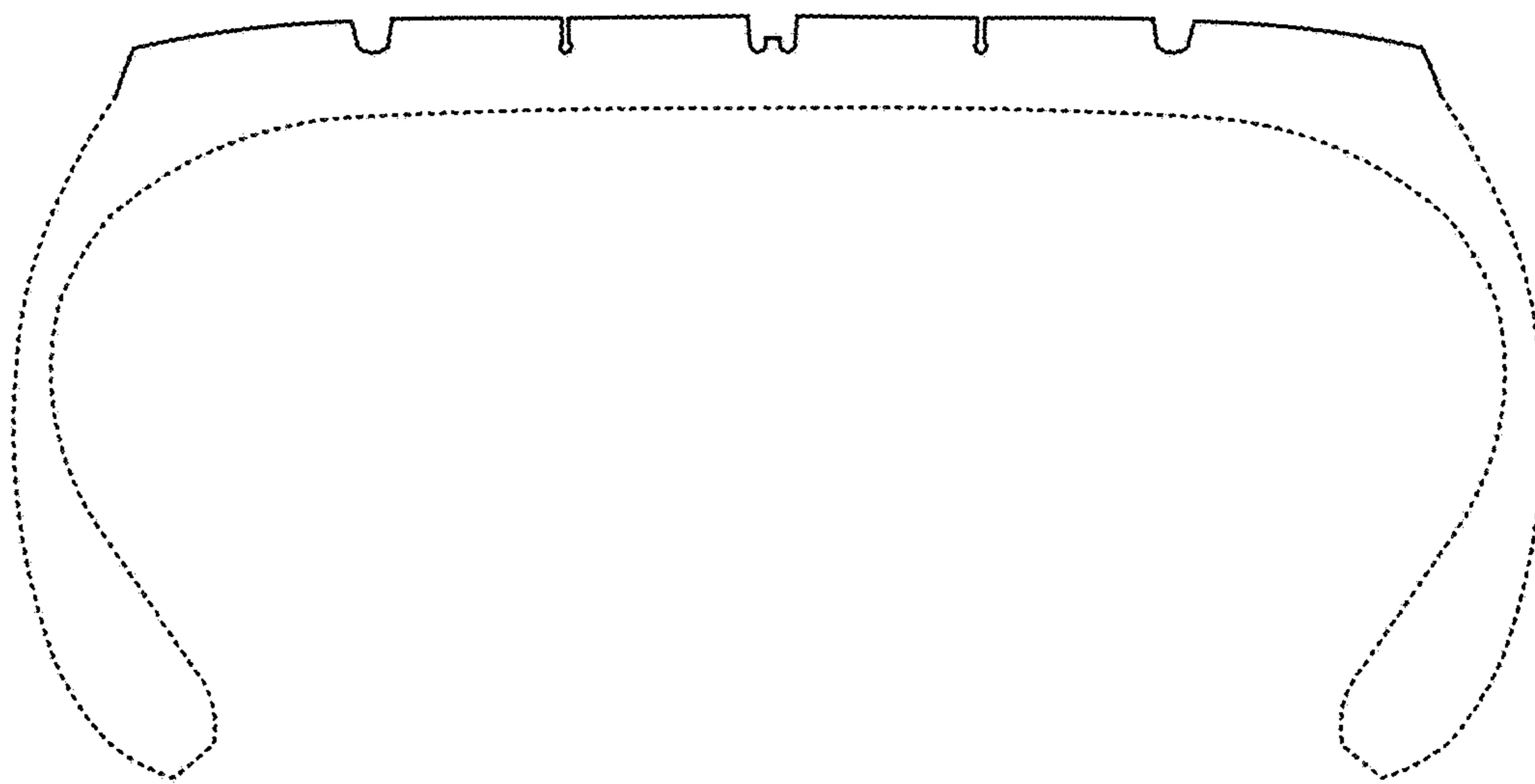


**FIG. 2**





**FIG. 3**



*FIG. 4*