



US00D791679S

(12) **United States Design Patent** (10) **Patent No.:** **US D791,679 S**
Kammerer et al. (45) **Date of Patent:** **** Jul. 11, 2017**

(54) **BIN FOR AIRCRAFT STORAGE**
(71) Applicant: **FACC AG**, Ried im Innkreis (AT)
(72) Inventors: **Bernhard Kammerer**, Zell an der Pram (AT); **Gerhard Mortenhuber**, Michaelnbach (AT)
(73) Assignee: **FACC AG**, Ried im Innkreis (AT)
(**) Term: **14 Years**

5,716,027 A 2/1998 Hart et al.
5,820,076 A 10/1998 Schumacher et al.
5,842,668 A 12/1998 Spencer
5,934,615 A 8/1999 Treichler et al.
6,290,175 B1 9/2001 Hart et al.
D457,480 S * 5/2002 Natsume D12/345
D463,357 S 9/2002 Granzeier et al.
6,527,325 B2 3/2003 Steingrebe et al.
6,802,478 B2 10/2004 Katori
7,090,314 B2 8/2006 Burrows et al.
D533,129 S 12/2006 Guard et al.

(Continued)

(21) Appl. No.: **29/521,027**
(22) Filed: **Mar. 19, 2015**

FOREIGN PATENT DOCUMENTS

DE 102007030331 1/2009
DE 102009051362 5/2011

(Continued)

Related U.S. Application Data

(62) Division of application No. 29/462,278, filed on Aug. 1, 2013, now Pat. No. Des. 746,759.

Primary Examiner — Robert M Spear
Assistant Examiner — Marissa J Cash
(74) *Attorney, Agent, or Firm* — Jacobson Holman, PLLC.

Foreign Application Priority Data

Feb. 1, 2013 (EP) 2176602-0001
Feb. 1, 2013 (EP) 2176602-0002

(57) **CLAIM**

The ornamental design for a bin for aircraft storage, as shown and described.

(51) **LOC (10) Cl.** **12-07**
(52) **U.S. Cl.**
USPC **D12/345**

DESCRIPTION

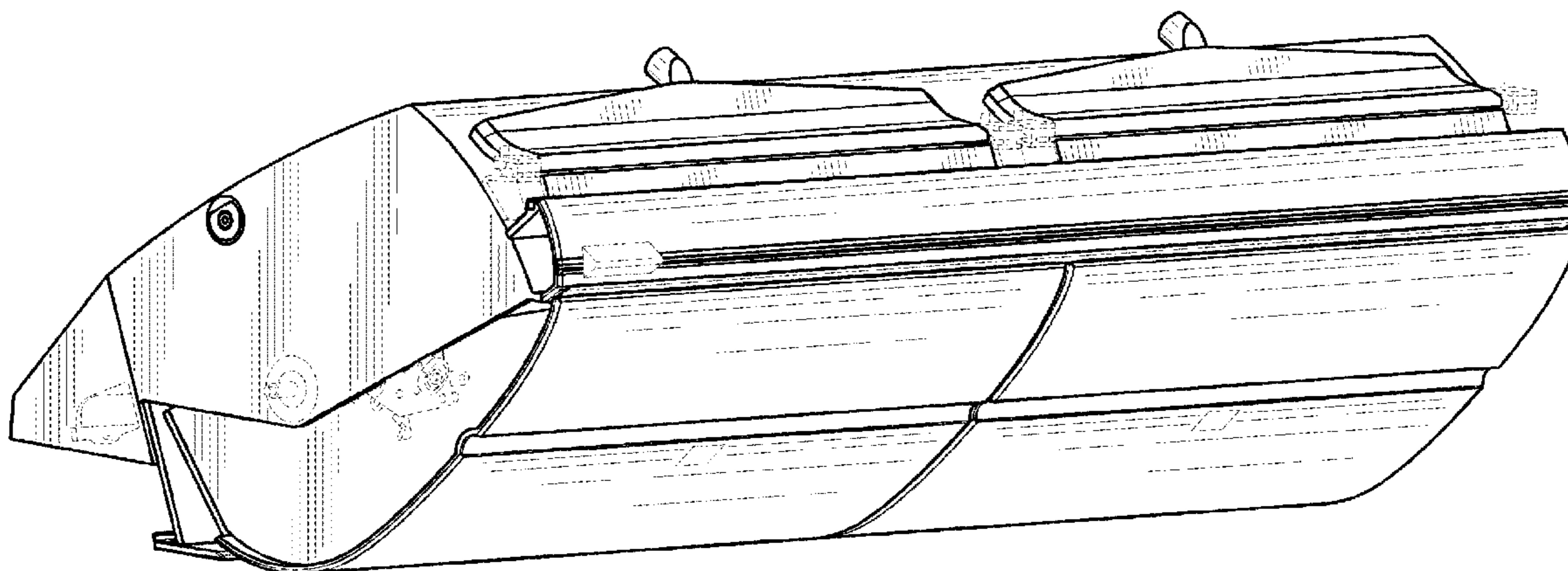
(58) **Field of Classification Search**
USPC D12/16.1, 319, 323–345, 418; D21/436, D21/438, 439, 440, 441, 447, 448, 449, D21/450, 452, 453, 454, 455
CPC B64C 1/062; B64C 39/024; B64C 27/08; B64D 11/0015; B64D 11/003; B64D 11/00
See application file for complete search history.

FIG. 1 a front perspective detail view of a bin for aircraft storage shown in an environment of use, connected together end-to-end;
FIG. 2 is a perspective view of a bin for aircraft storage;
FIG. 3 is a bottom view thereof;
FIG. 4 is a top view thereof;
FIG. 5 is a left side view thereof, the right side being a mirror image thereof; and,
FIG. 6 is another perspective view shown in an open position thereof.
The broken lines in the drawings represent unclaimed environmental subject matter and form no part of the claim.

(56) **References Cited**
U.S. PATENT DOCUMENTS

5,441,218 A 8/1995 Mueller et al.
5,549,158 A 8/1996 Hart

1 Claim, 6 Drawing Sheets



(56)

References Cited

U.S. PATENT DOCUMENTS

7,234,666 B2 6/2007 Novak et al.
 D589,871 S 4/2009 Bock
 D597,473 S 8/2009 Schuephaus et al.
 7,588,211 B2 9/2009 Granzeier et al.
 D610,521 S * 2/2010 Pirie D12/345
 7,832,685 B2 11/2010 Haynes et al.
 8,002,218 B2 8/2011 Johnson
 8,047,468 B2 11/2011 Schmitz et al.
 D714,210 S * 9/2014 Burrows D12/345
 8,882,383 B2 * 11/2014 Winkler B64D 11/0007
 244/118.1
 9,033,279 B2 * 5/2015 Graf B64D 11/003
 244/118.5
 9,090,351 B1 * 7/2015 Frazier B64D 11/003
 D743,322 S * 11/2015 Zuber D12/345
 D746,759 S * 1/2016 Kammerer D12/345
 9,371,674 B2 * 6/2016 Daul E05D 11/00
 2003/0080247 A1 5/2003 Frazier
 2006/0214055 A1 * 9/2006 Novak B64D 11/003
 244/118.5

2008/0112754 A1 * 5/2008 Schmitz B60R 5/003
 403/350
 2010/0206985 A1 8/2010 Rahlff
 2011/0139929 A1 * 6/2011 Young B64D 11/003
 244/118.5
 2011/0163697 A1 * 7/2011 Mizukami B60Q 3/0283
 315/324
 2011/0240796 A1 * 10/2011 Schneider B64D 11/00
 244/118.5
 2011/0253837 A1 * 10/2011 Lee B64D 11/003
 244/118.5
 2012/0012707 A1 * 1/2012 Schliwa B64D 11/003
 244/118.5
 2012/0038254 A1 2/2012 Rafler
 2012/0074258 A1 3/2012 Papke et al.
 2012/0228425 A1 9/2012 Schneider et al.
 2013/0208490 A1 * 8/2013 Savian B64D 11/0015
 362/471

FOREIGN PATENT DOCUMENTS

EP 0718189 6/1996
 WO WO 2010/145915 12/2010

* cited by examiner

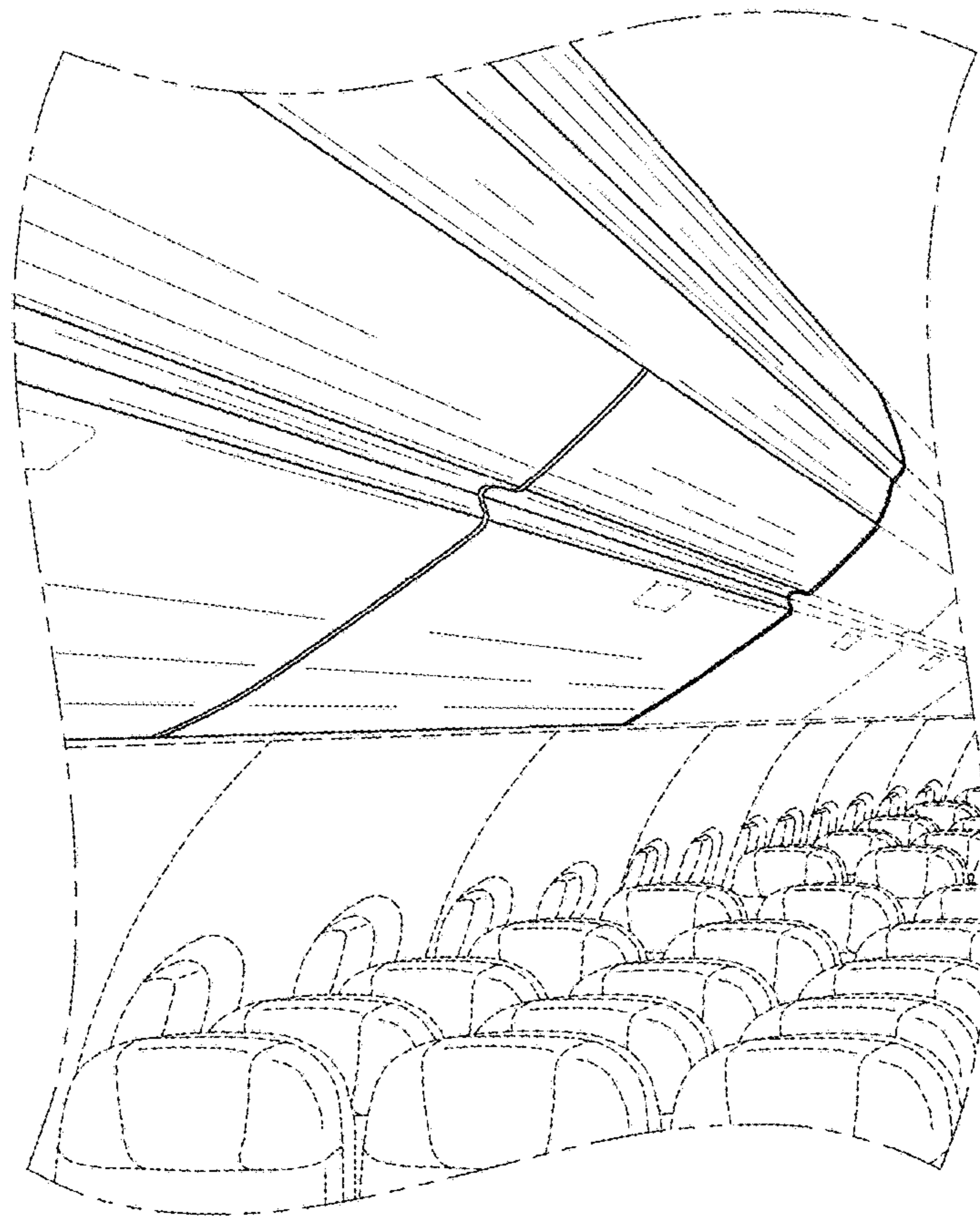


FIG. 1

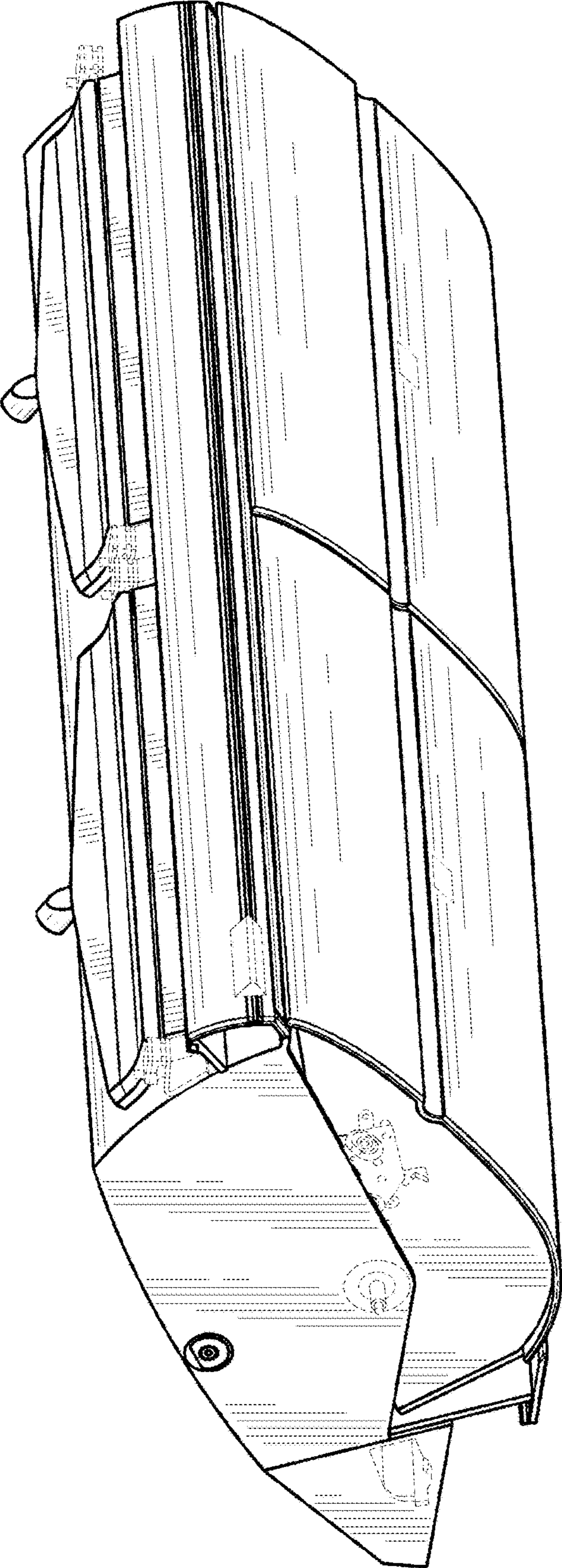


FIG. 2

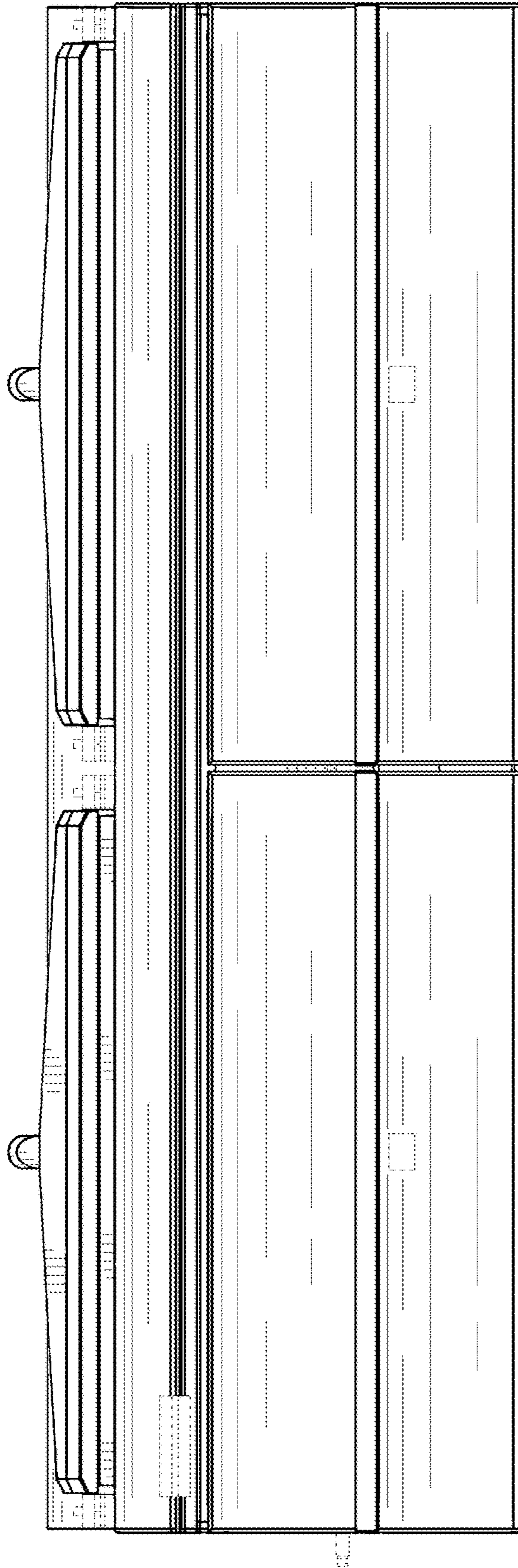


FIG. 3

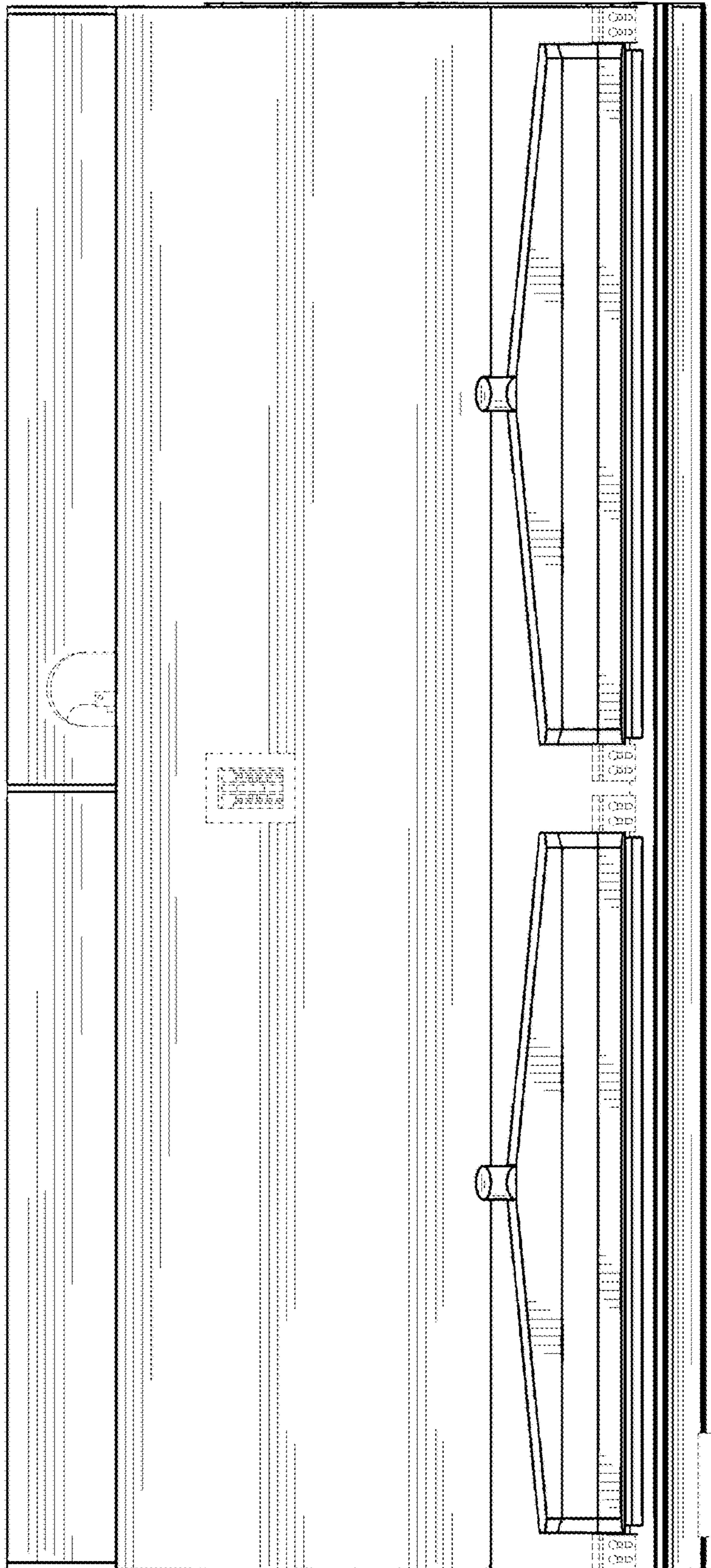


FIG. 4

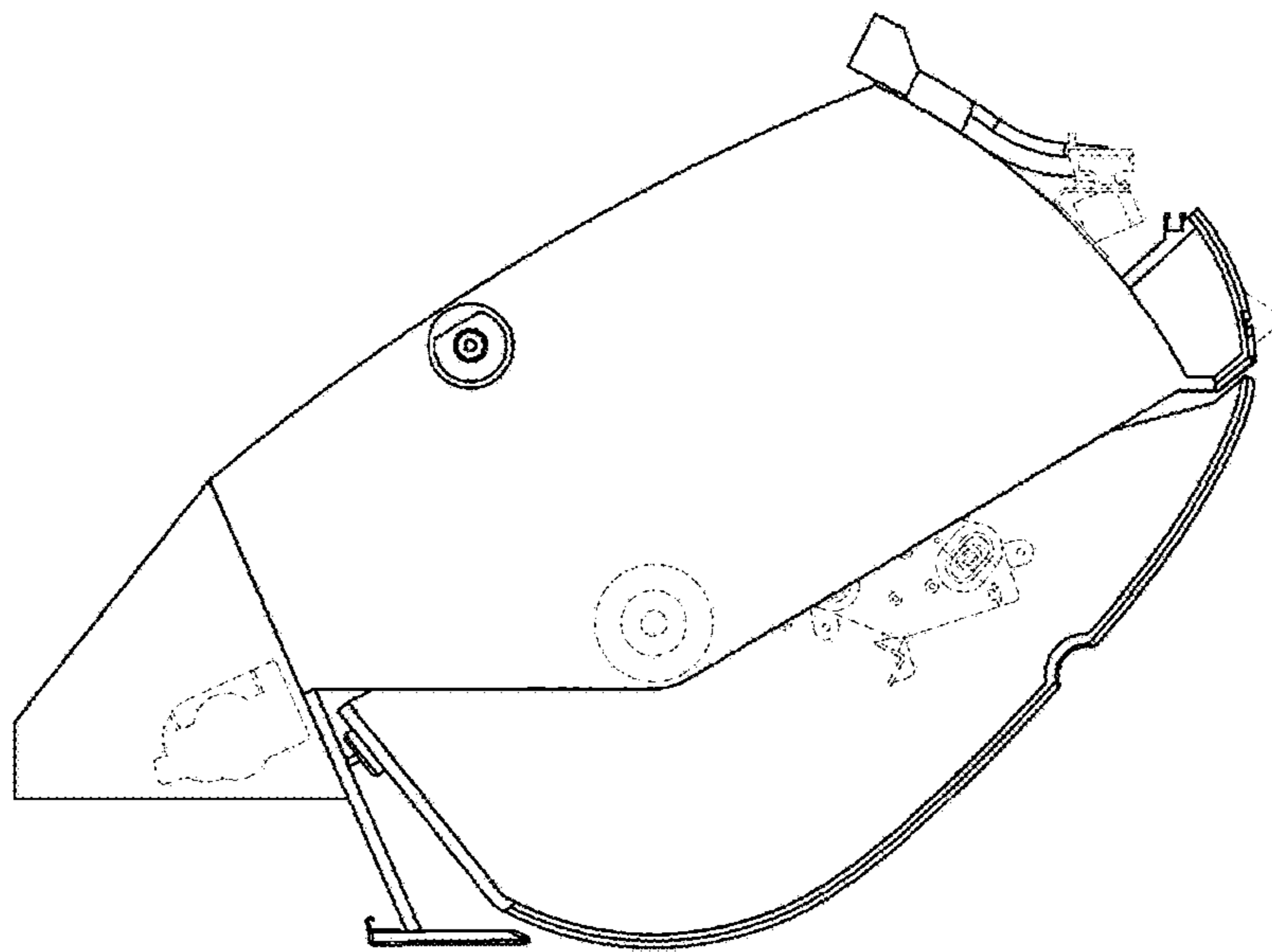


FIG. 5

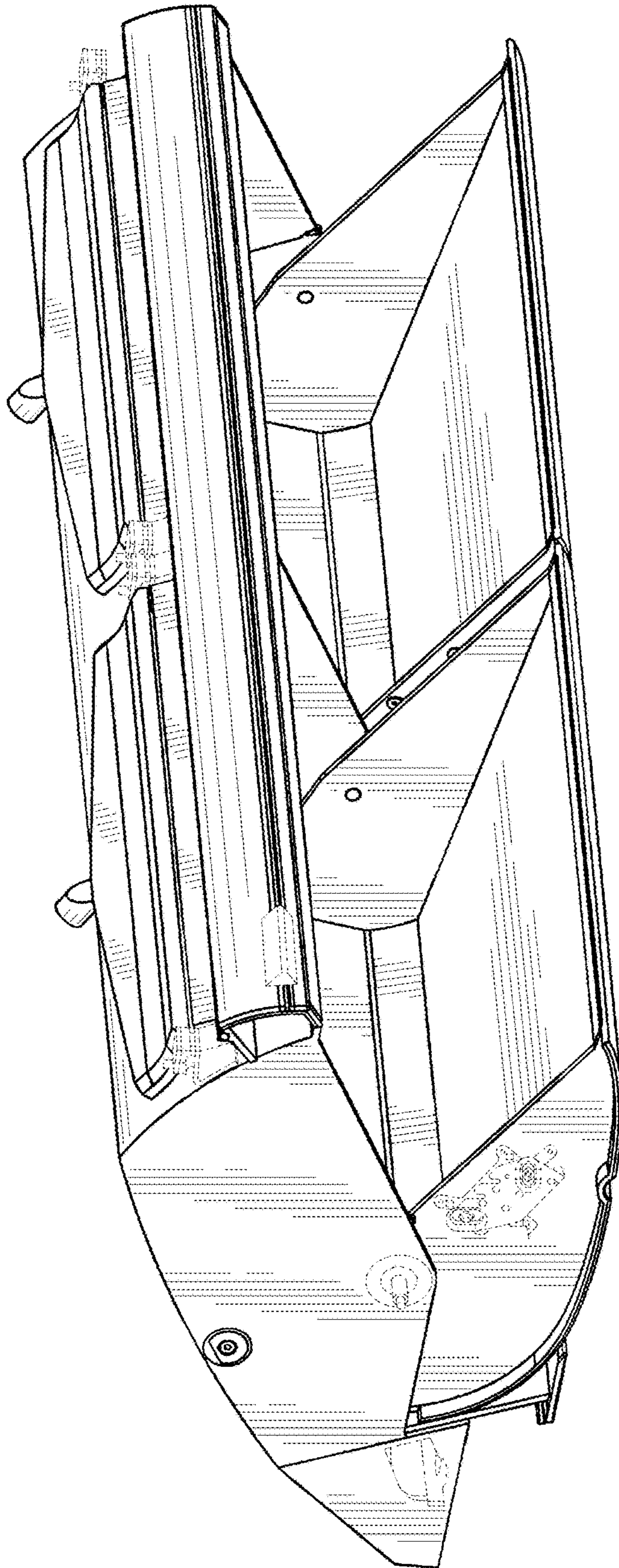


FIG. 6