

US00D791678S

(12) **United States Design Patent** (10) **Patent No.:** **US D791,678 S**  
**Säkkinen et al.** (45) **Date of Patent:** **\*\* Jul. 11, 2017**

- (54) **PROPULSION UNIT FOR SHIPS AND BOATS** 8,707,717 B2 \* 4/2014 Fox ..... F25B 9/14  
62/115  
(71) Applicant: **ABB TECHNOLOGY AG**, Zürich 9,475,565 B2 \* 10/2016 Gallato ..... B63H 5/125  
(CH) 9,476,311 B2 \* 10/2016 Krackhardt ..... B63H 3/06  
2003/0000444 A1 \* 1/2003 Tsuboguchi ..... B63H 5/125  
114/162  
(72) Inventors: **Petri Säkkinen**, Espoo (FI); **Mikael Lindfors**, Helsinki (FI); **Tomi Veikonheimo**, Helsinki (FI); **Pasi Miettinen**, Espoo (FI); **Lasse Lahtinen**, Vantaa (FI) 2016/0176488 A1 \* 6/2016 Gallato ..... B63H 5/125  
440/53  
2016/0229504 A1 \* 8/2016 Aasebo ..... B63H 25/42  
\* cited by examiner

- (73) Assignee: **ABB Schweiz AG**, Baden (CH) *Primary Examiner* — Michael A Pratt  
(\*\*) Term: **15 Years** (74) *Attorney, Agent, or Firm* — Taft Stettinius & Hollister LLP

(21) Appl. No.: **35/500,629**

(22) Filed: **Aug. 20, 2015**

(80) **Hague Agreement Data**

Int. Filing Date: **Aug. 20, 2015**  
Int. Reg. No.: **DM/087363**  
Int. Reg. Date: **Aug. 20, 2015**  
Int. Reg. Pub. Date: **Feb. 26, 2016**

(51) **LOC (10) Cl.** ..... **12-06**

(52) **U.S. Cl.**  
USPC ..... **D12/300**

(58) **Field of Classification Search**  
USPC ..... D12/300, 309, 317; D15/4–5  
CPC ..... B63H 20/02; B63H 20/12; B63H 20/32;  
B63H 2020/003; B63H 5/125; B63H  
11/08; B63H 2011/008; B63H 21/30;  
B63H 25/42

See application file for complete search history.

(56) **References Cited**

**U.S. PATENT DOCUMENTS**

- 6,783,409 B2 \* 8/2004 Lonngren ..... B63H 5/125  
440/58  
7,537,500 B2 \* 5/2009 Abdel-Maksoud ..... B63B 1/042  
440/79

(57) **CLAIM**

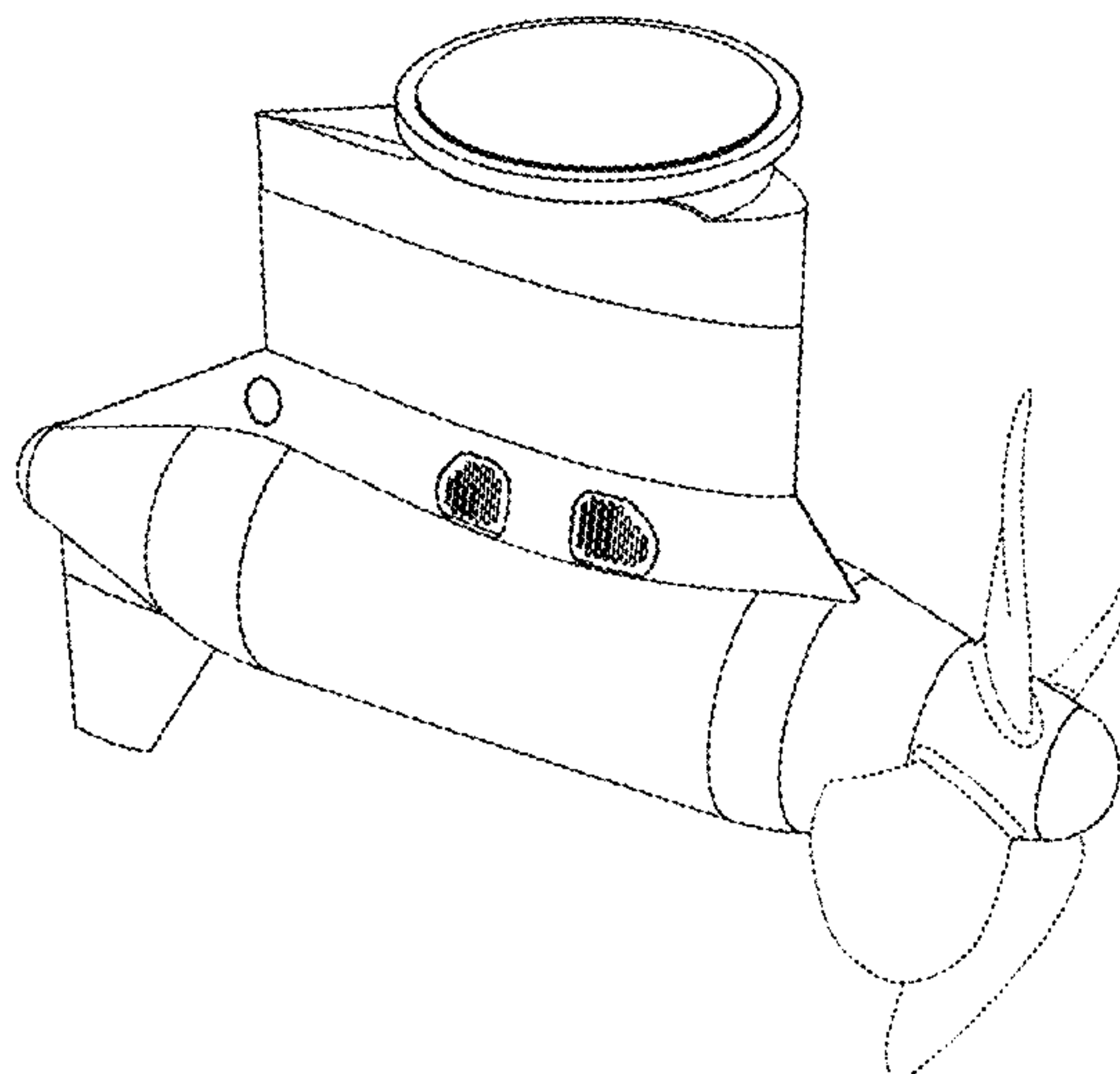
The ornamental design for a propulsion unit for ships and boats, as shown and described.

**DESCRIPTION**

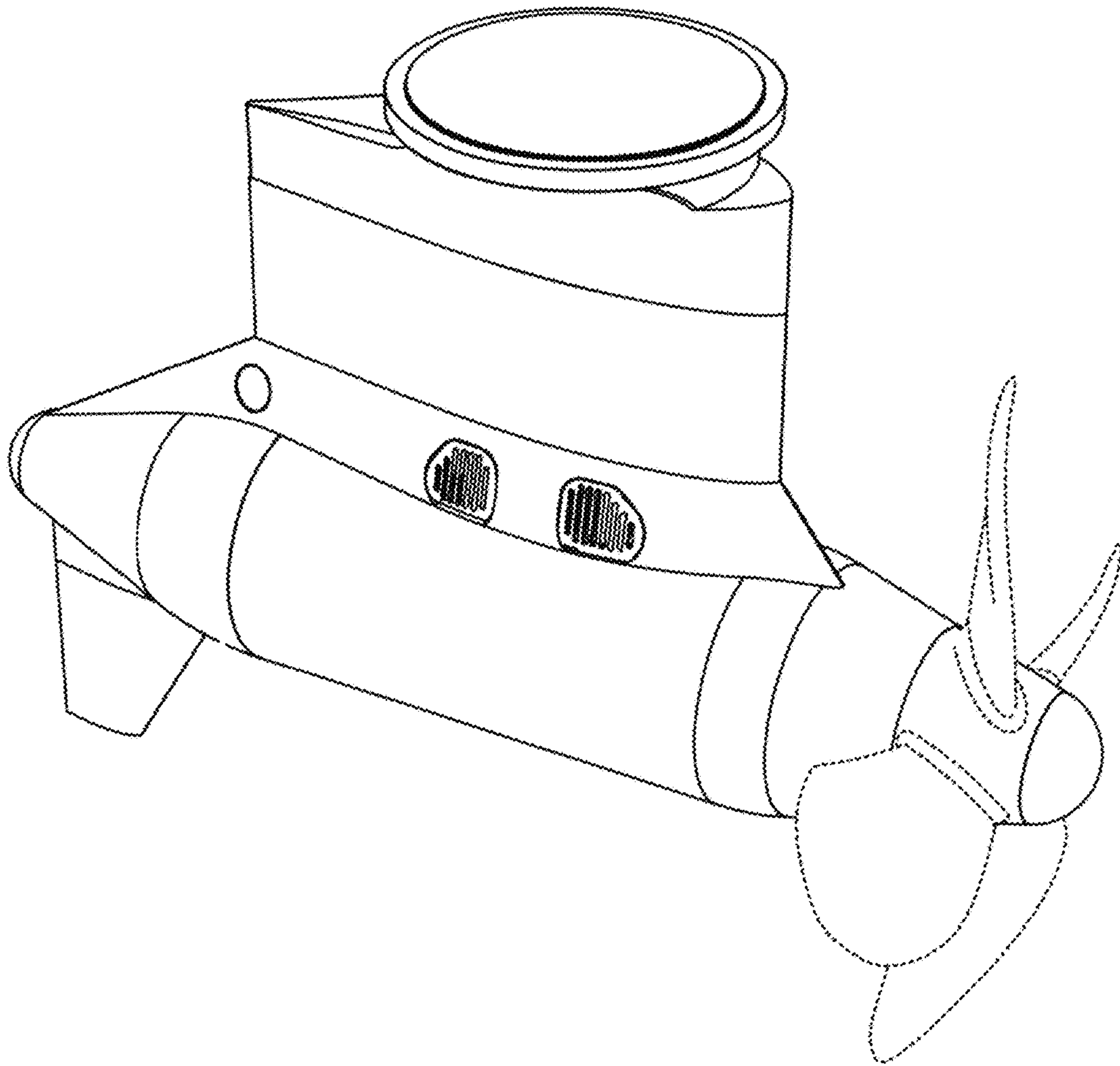
1. Propulsion unit for ships and boats  
**1.1** : Perspective  
**1.2** : Front  
**1.3** : Back  
**1.4** : Top  
**1.5** : Bottom  
**1.6** : Right  
**1.7** : Left

The broken lines showing the propeller blades are for the purpose of illustrating portions of the propulsion unit for ships and boats that form no part of the claimed design.

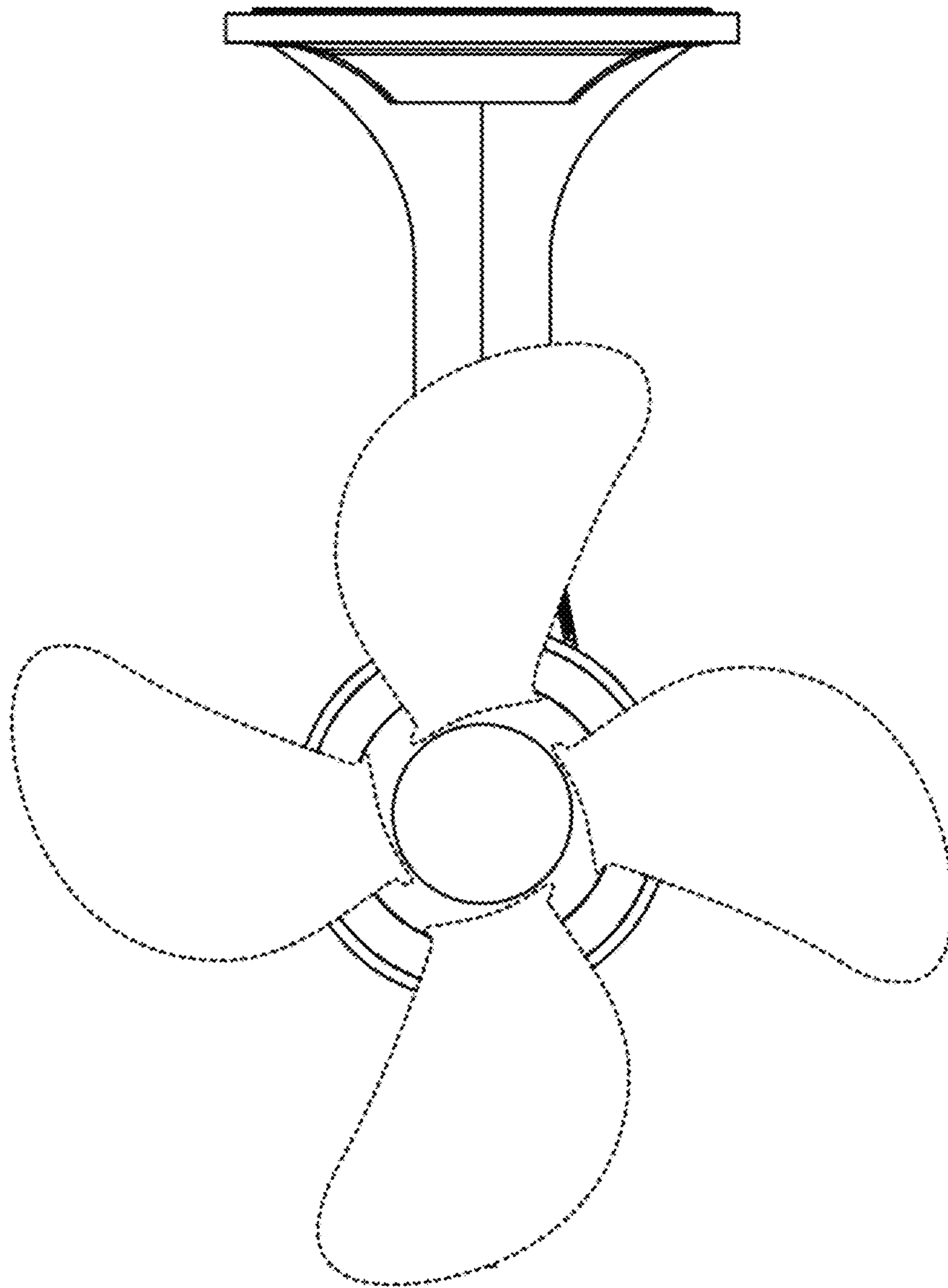
**1 Claim, 7 Drawing Sheets**



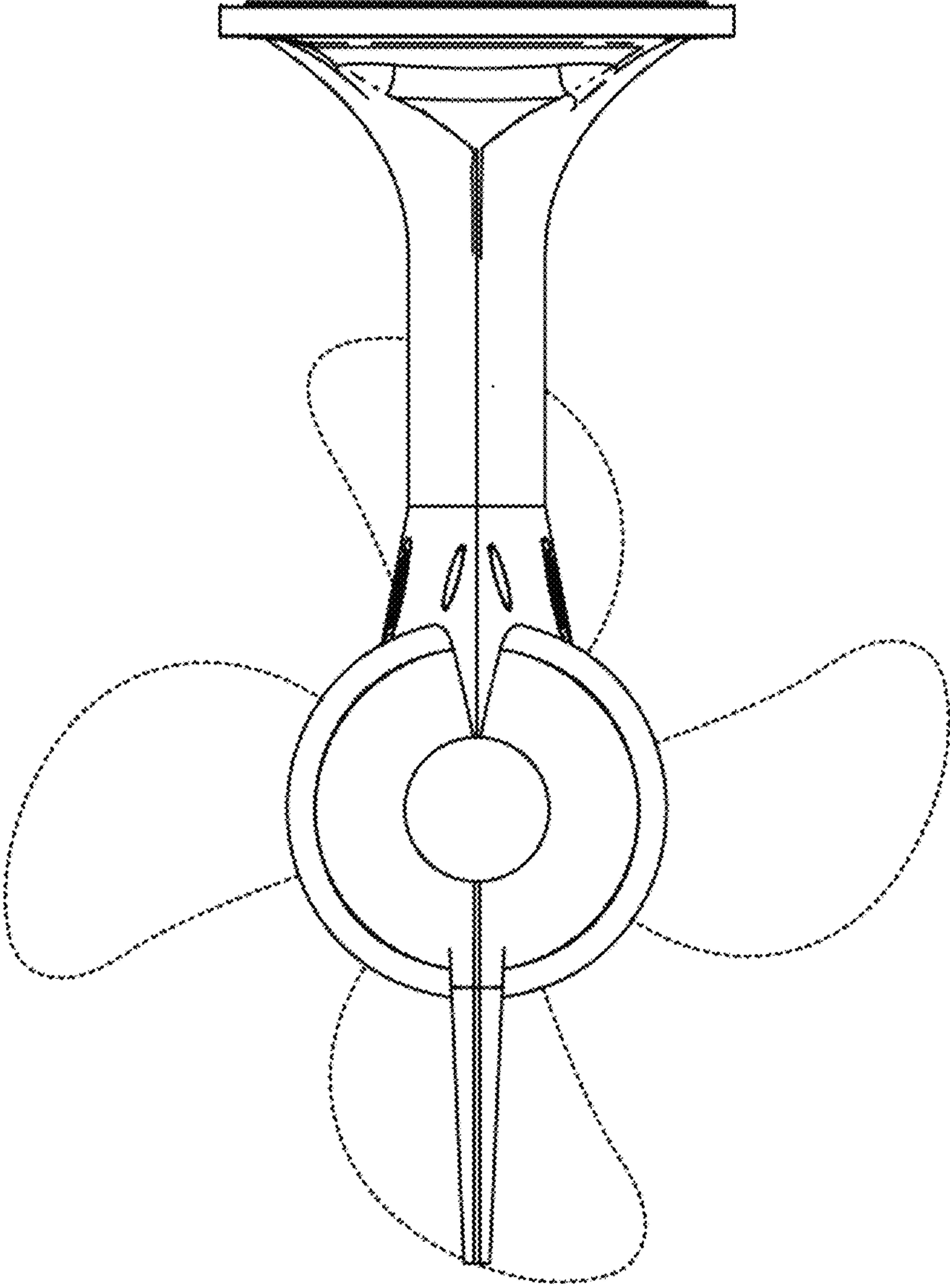
1.1



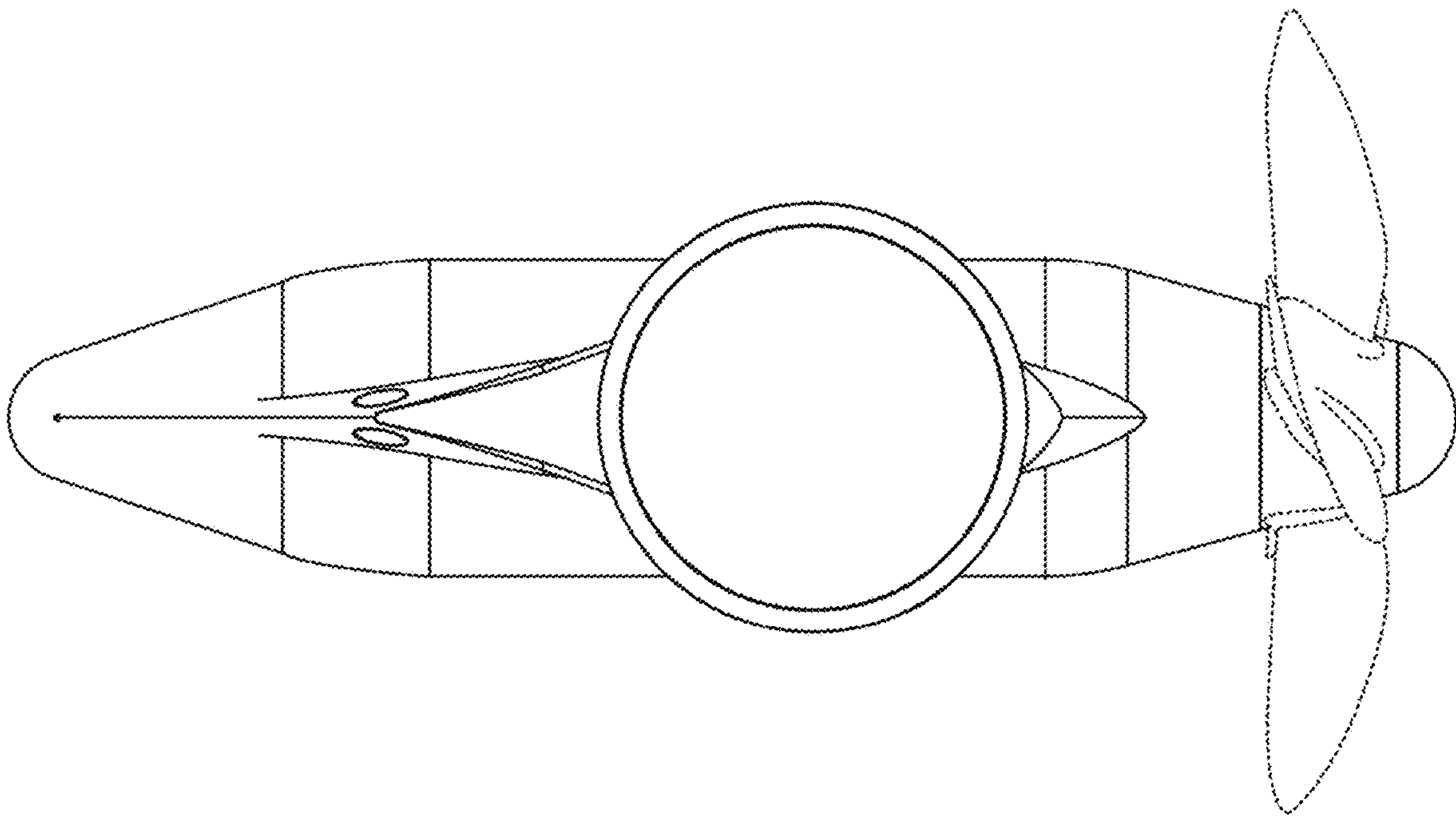
1.2



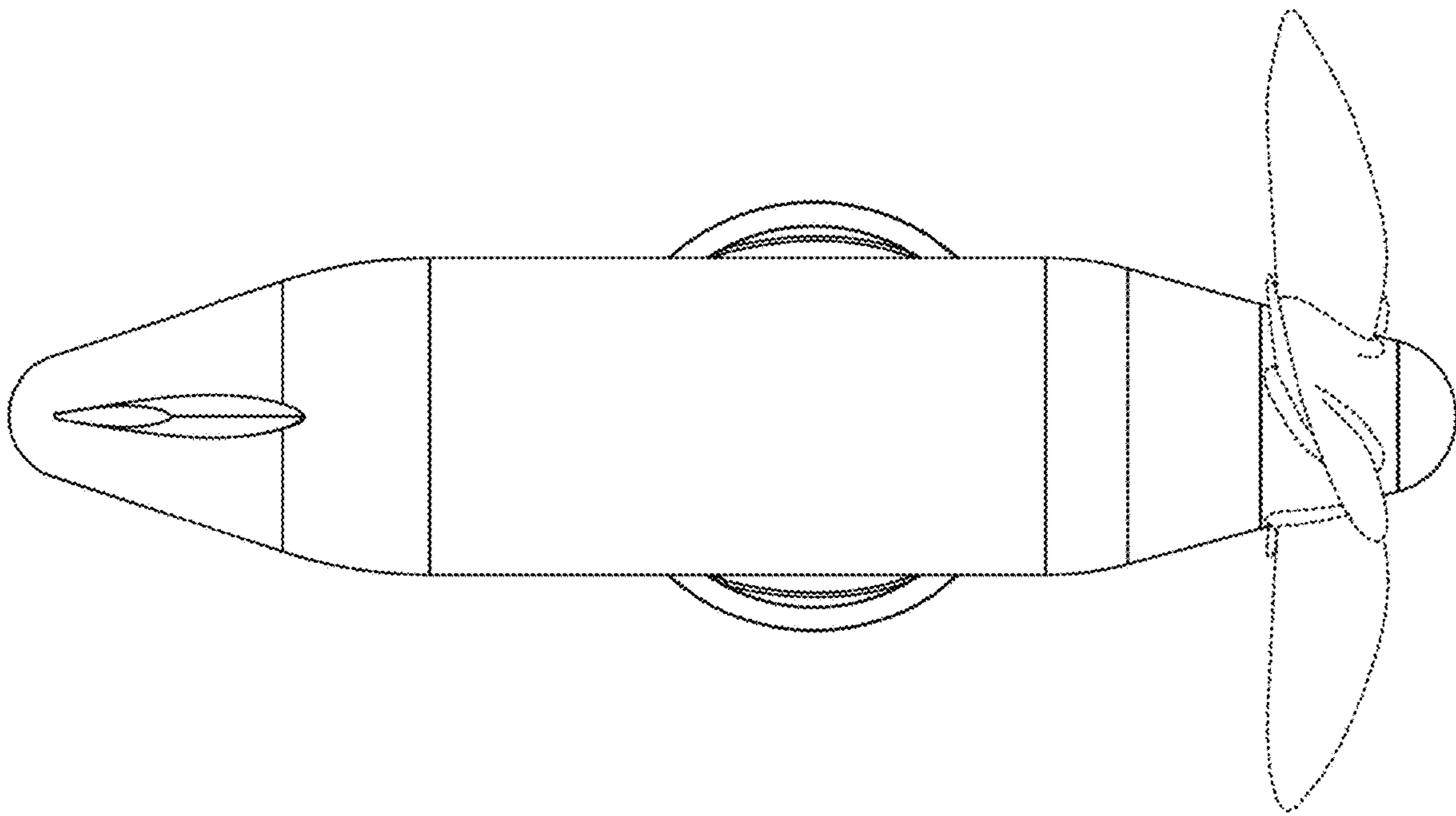
1.3



1.4

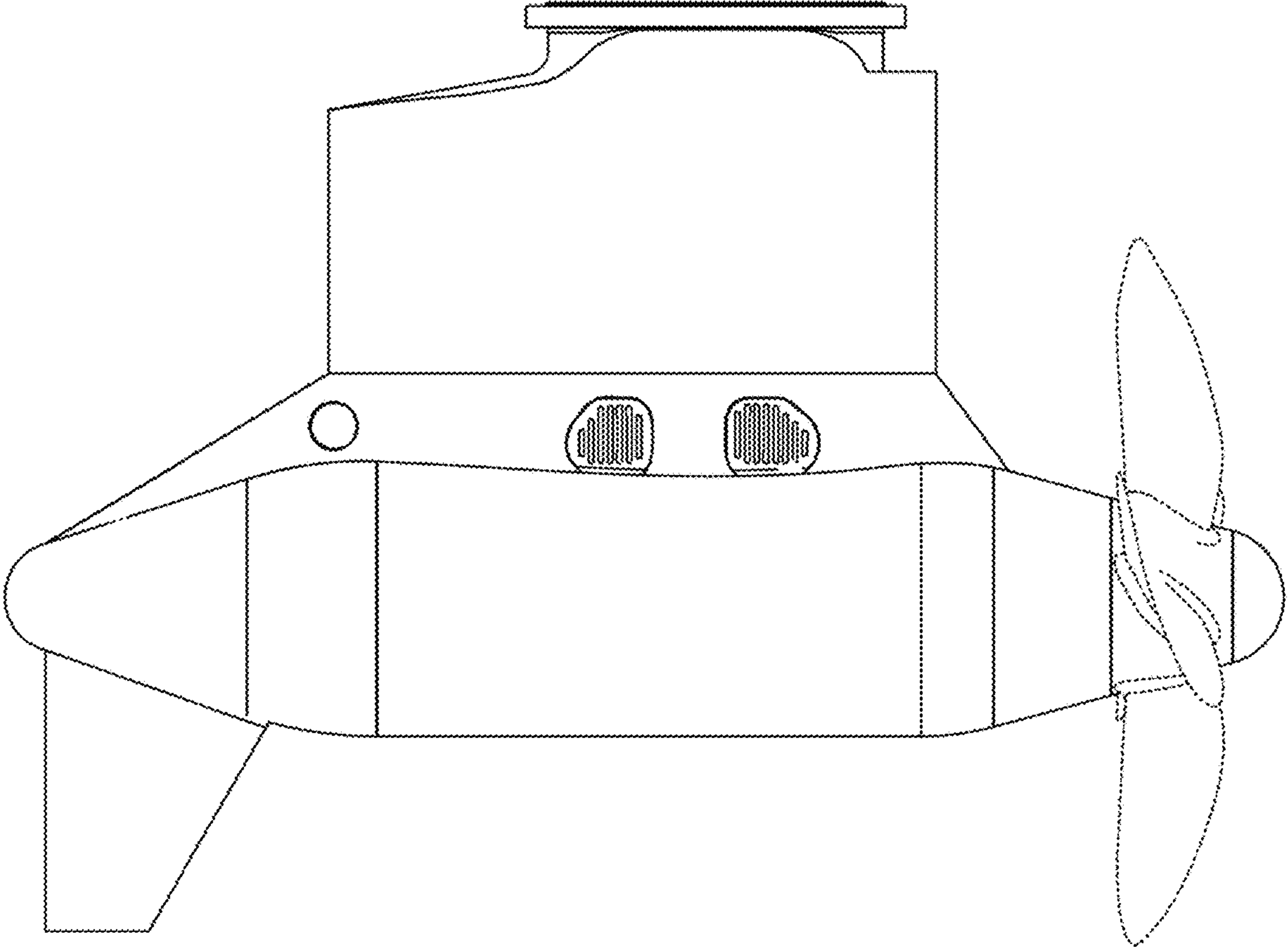


1.5





1.6



1.7

