



US00D791673S

(12) **United States Design Patent**  
**Alfonso**

(10) **Patent No.:** **US D791,673 S**  
(45) **Date of Patent:** **\*\* Jul. 11, 2017**

- (54) **AUTOMOBILE WHEEL**
- (71) Applicant: **Direct Wheel Inc.**, City of Industry, CA (US)
- (72) Inventor: **Ernie R. Alfonso**, Corona, CA (US)
- (73) Assignee: **Direct Wheel, Inc.**, City of Industry
- (\*\*) Term: **15 Years**

D723,993 S	3/2015	Zhao	
D723,995 S	3/2015	Zhao	
D723,996 S	3/2015	Zhao	
D726,621 S	4/2015	Alfonso	
D727,826 S	* 4/2015	Chung	D12/211
D731,391 S	6/2015	Zhao	
D741,775 S	10/2015	Zhao	
D741,776 S	10/2015	Zhao	
D756,285 S	* 5/2016	Zhao	D12/211
D763,767 S	* 8/2016	Alfonso	D12/211
D764,371 S	* 8/2016	Zhao	D12/211

- (21) Appl. No.: **29/544,270**
- (22) Filed: **Nov. 2, 2015**
- (51) **LOC (10) Cl.** ..... **12-16**
- (52) **U.S. Cl.**  
USPC ..... **D12/211**
- (58) **Field of Classification Search**  
USPC ..... D12/204-213  
CPC .... B60B 7/00; B60B 7/01; B60B 7/02; B60B 7/04; B60B 7/06; B60B 3/02; B60B 3/04; B60B 3/06; B60B 3/10; B60B 1/00; B60B 1/08; B60B 1/10; B60B 1/12  
See application file for complete search history.

**OTHER PUBLICATIONS**

Search Results for IN/ernie and IN/alfonso on Dec. 21, 2014.  
Search results of IN/john and TTL/wheel and IN/zhao on Dec. 19, 2014.

\* cited by examiner

*Primary Examiner* — Sandra Snapp  
*Assistant Examiner* — Katherine Glennon  
(74) *Attorney, Agent, or Firm* — Payam Moradian

(57) **CLAIM**

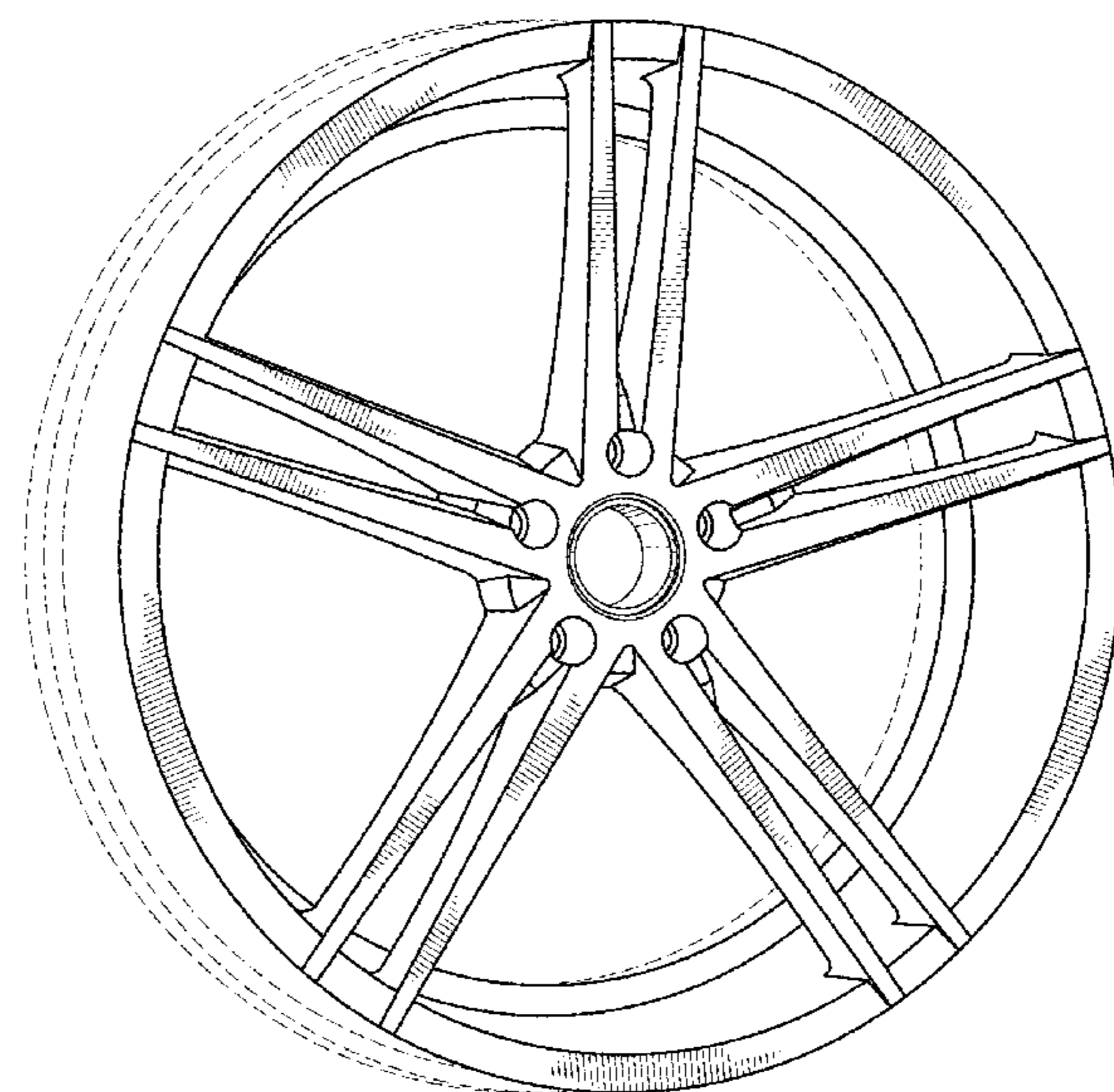
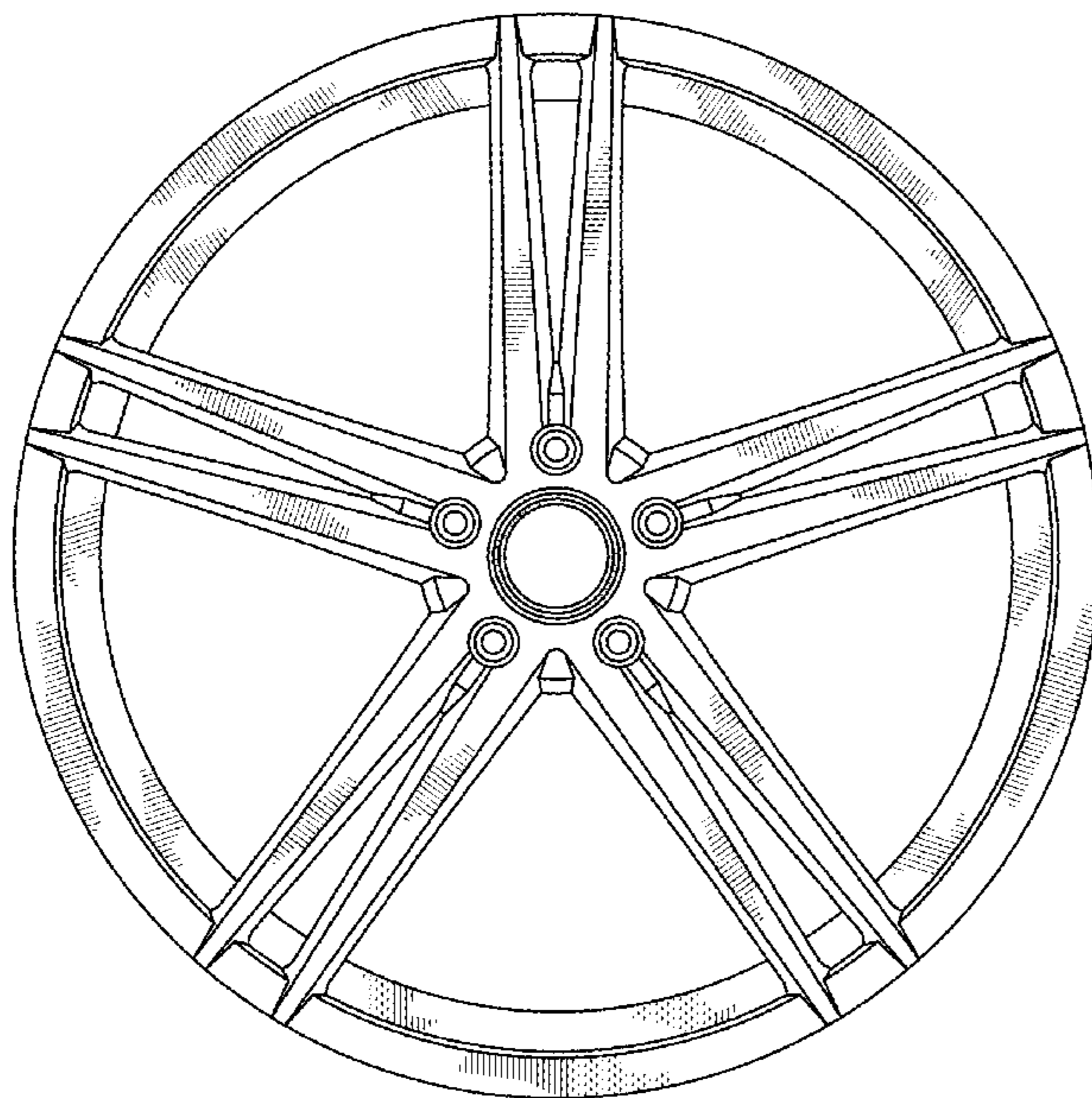
I claim the ornamental design for an automobile wheel, as shown and described.

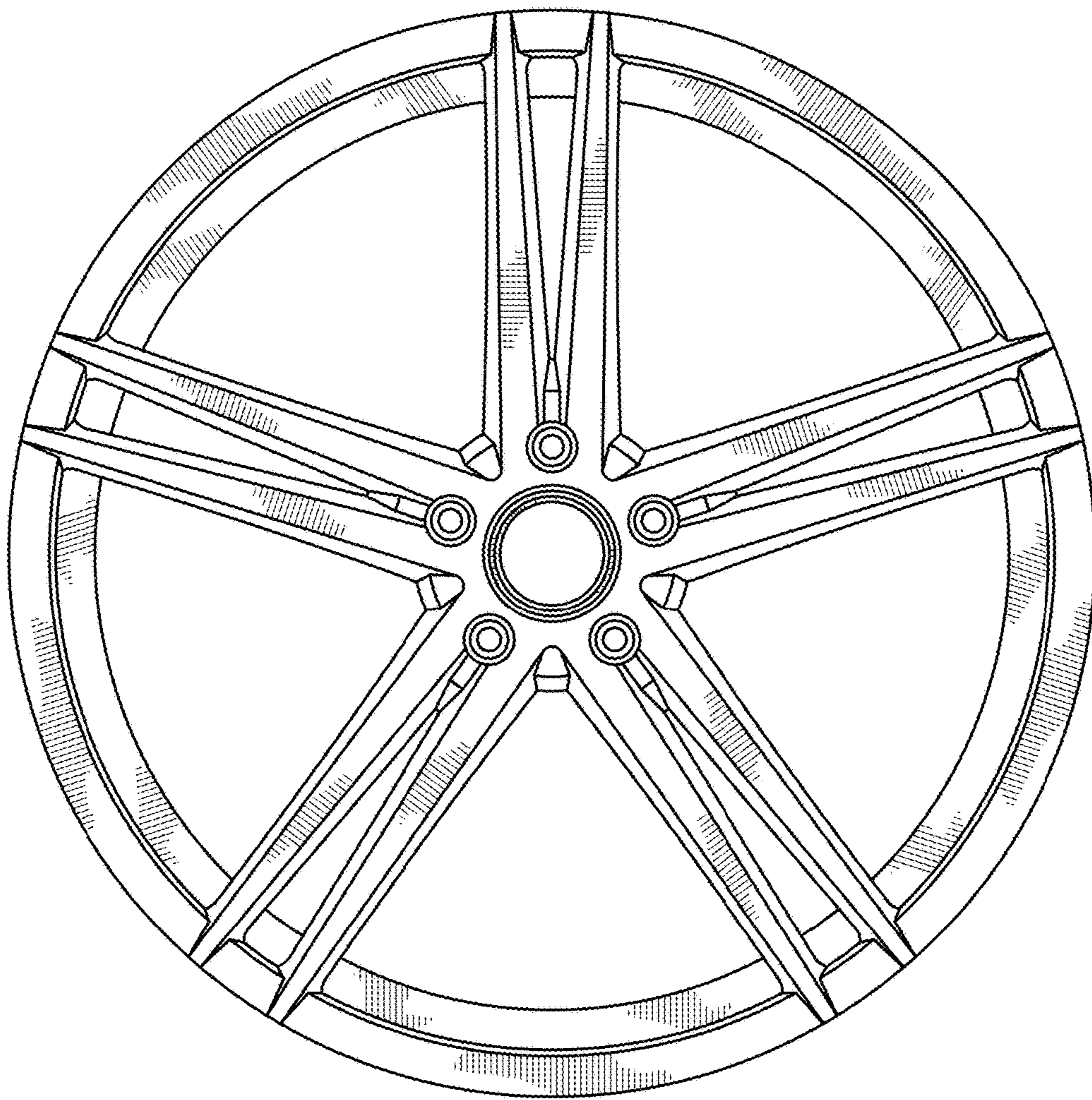
**DESCRIPTION**

FIG. 1 is a front elevational view of an automobile wheel; and,  
FIG. 2 is a perspective view thereof.  
The broken lines in the drawings of the automobile wheel are for showing portions of the article and form no part of the claimed design.

**1 Claim, 2 Drawing Sheets**

- (56) **References Cited**  
U.S. PATENT DOCUMENTS
- |            |           |         |       |         |
|------------|-----------|---------|-------|---------|
| D580,336 S | * 11/2008 | Chung   | ..... | D12/211 |
| D652,363 S | * 1/2012  | Chung   | ..... | D12/211 |
| D681,535 S | * 5/2013  | Zhao    | ..... | D12/211 |
| D697,860 S | * 1/2014  | Borkert | ..... | D12/211 |
| D714,208 S | * 9/2014  | Chung   | ..... | D12/211 |
| D723,992 S | 3/2015    | Zhao    |       |         |





*FIG. 1*

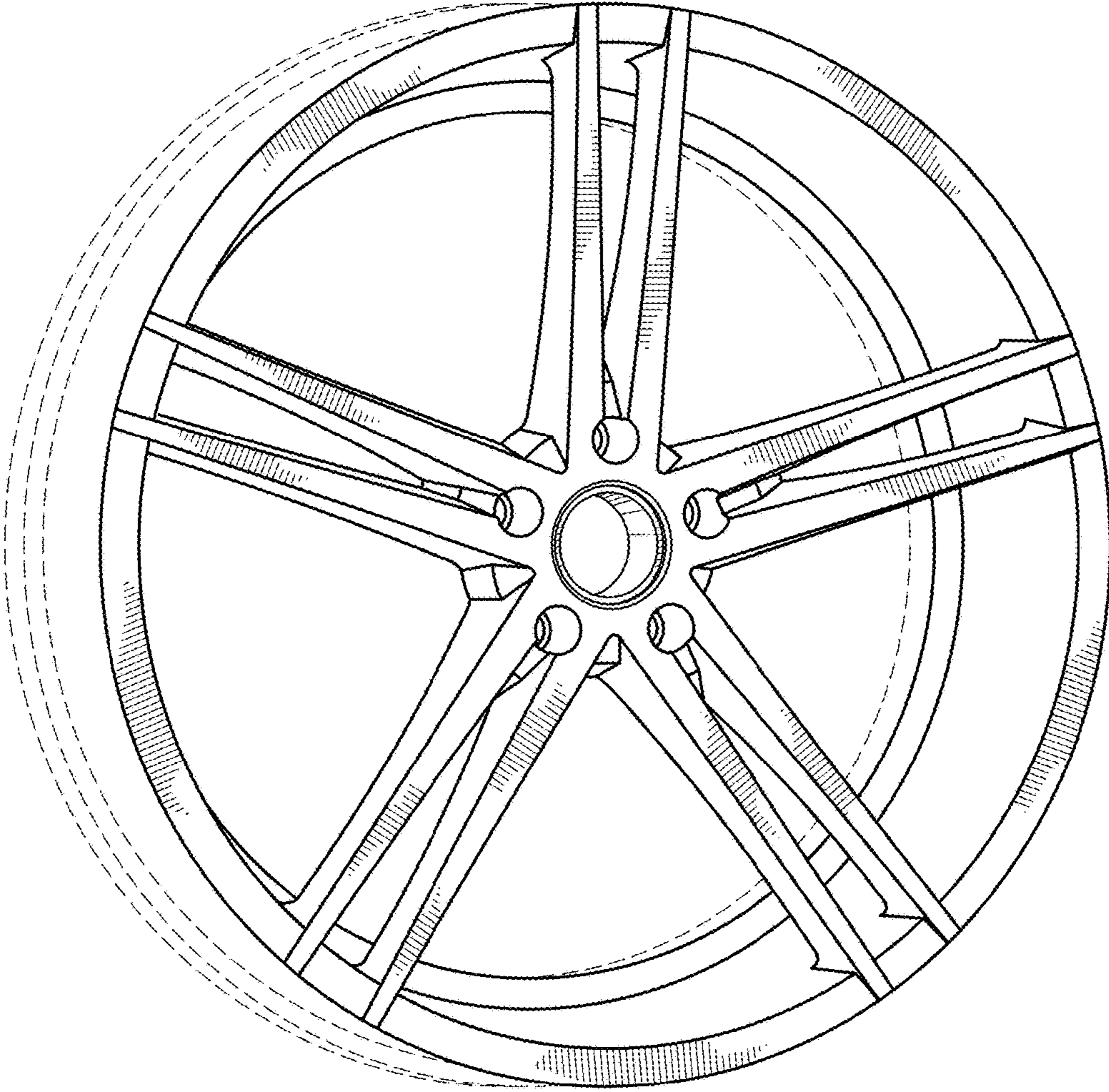


FIG. 2