



US00D791672S

(12) **United States Design Patent**
Palana

(10) **Patent No.:** **US D791,672 S**

(45) **Date of Patent:** **** Jul. 11, 2017**

(54) **AUTOMOTIVE WHEEL**

(71) Applicant: **Design Infini, Inc.**

(72) Inventor: **Morris Calzado Palana**, Los Angeles, CA (US)

(**) Term: **15 Years**

(21) Appl. No.: **29/544,114**

(22) Filed: **Oct. 30, 2015**

(51) **LOC (10) Cl.** **12-16**

(52) **U.S. Cl.**

USPC **D12/211**

(58) **Field of Classification Search**

USPC D12/204-213

CPC B60B 7/00; B60B 7/01; B60B 7/02; B60B

7/04; B60B 7/06; B60B 3/02; B60B 3/04;

B60B 3/06; B60B 3/10; B60B 1/00;

B60B 1/08; B60B 1/10; B60B 1/12

See application file for complete search history.

(56) **References Cited**

U.S. PATENT DOCUMENTS

D670,226 S * 11/2012 Muller D12/211

D691,542 S * 10/2013 Chan D12/209

D701,811 S * 4/2014 Hale, Jr. D12/211

D751,485 S * 3/2016 Chung D12/209

D751,489 S * 3/2016 Chung D12/213

D763,164 S * 8/2016 Chung D12/211

D763,773 S * 8/2016 Chung D12/211

* cited by examiner

Primary Examiner — Sandra Snapp

Assistant Examiner — Katherine Glennon

(57) **CLAIM**

The ornamental design for an automotive wheel, as shown and described.

DESCRIPTION

FIG. 1 is a perspective view of a first embodiment of an automotive wheel, showing my new design;

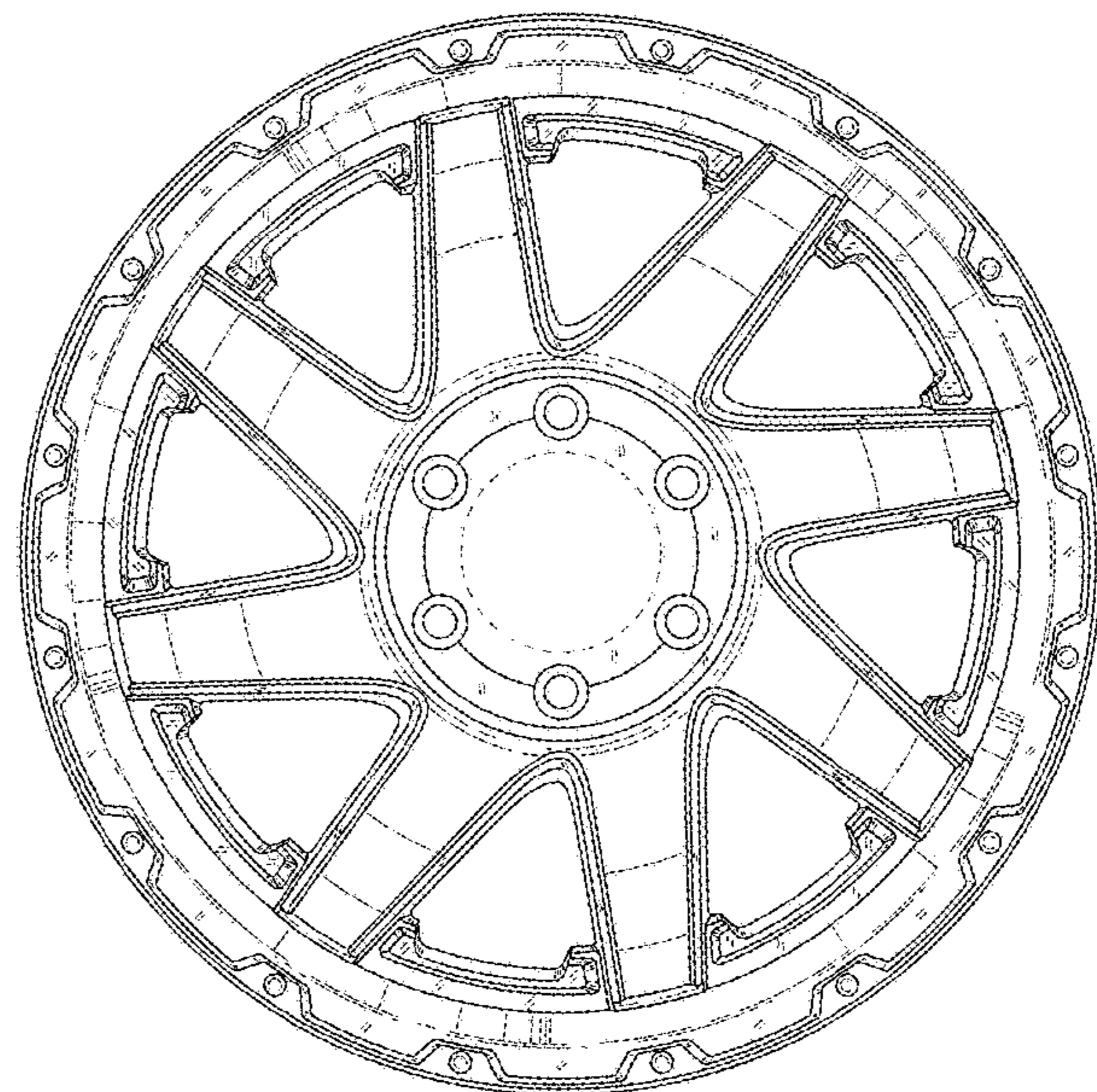
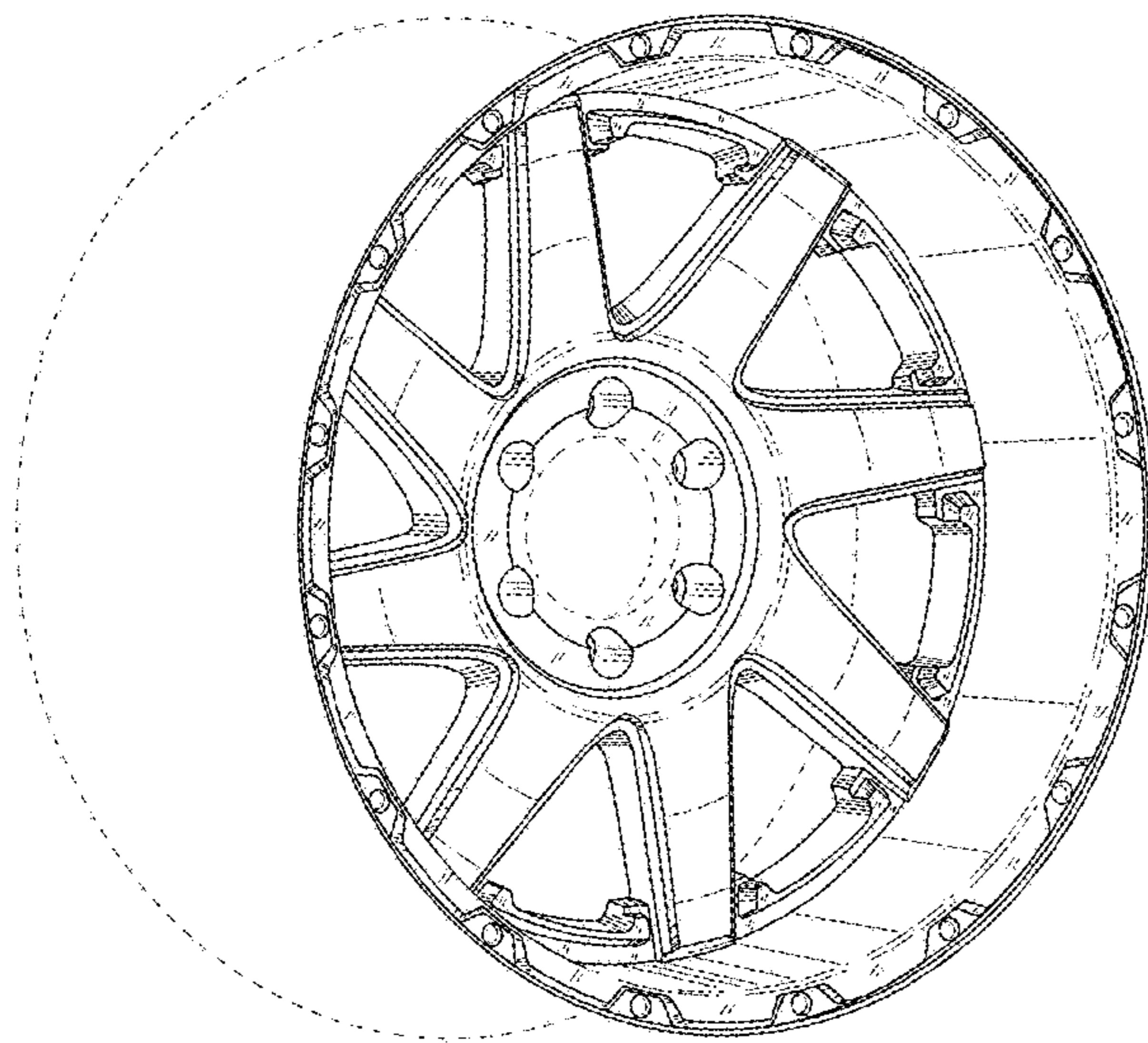
FIG. 2 is a front view thereof;

FIG. 3 is a perspective view of a second embodiment of an automotive wheel, showing my new design; and,

FIG. 4 is a front view thereof.

The broken line showing of the rear portion of the wheel included for the purpose of illustrating environment and forms no part of the claimed design.

1 Claim, 4 Drawing Sheets



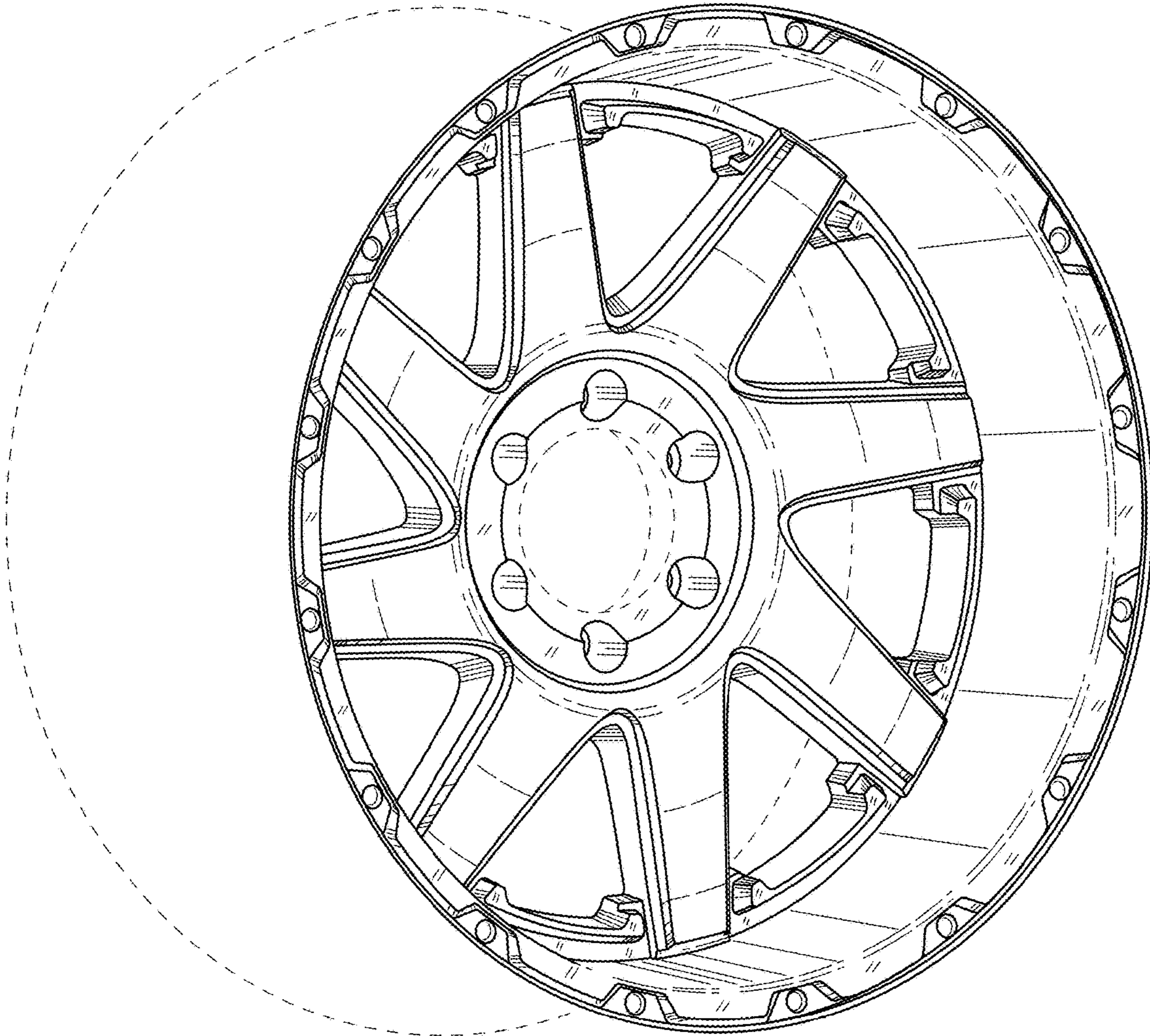


FIGURE 1

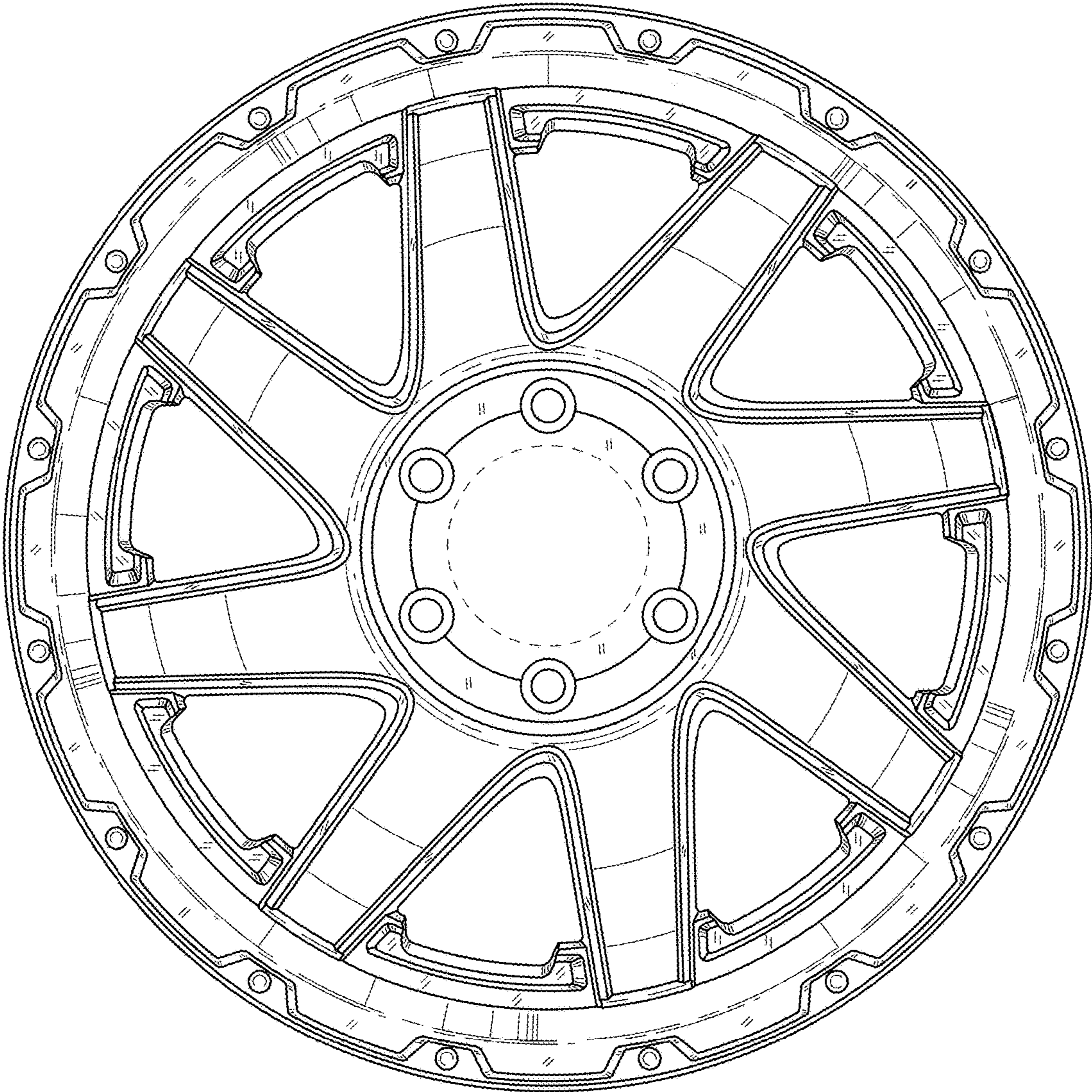


FIGURE 2

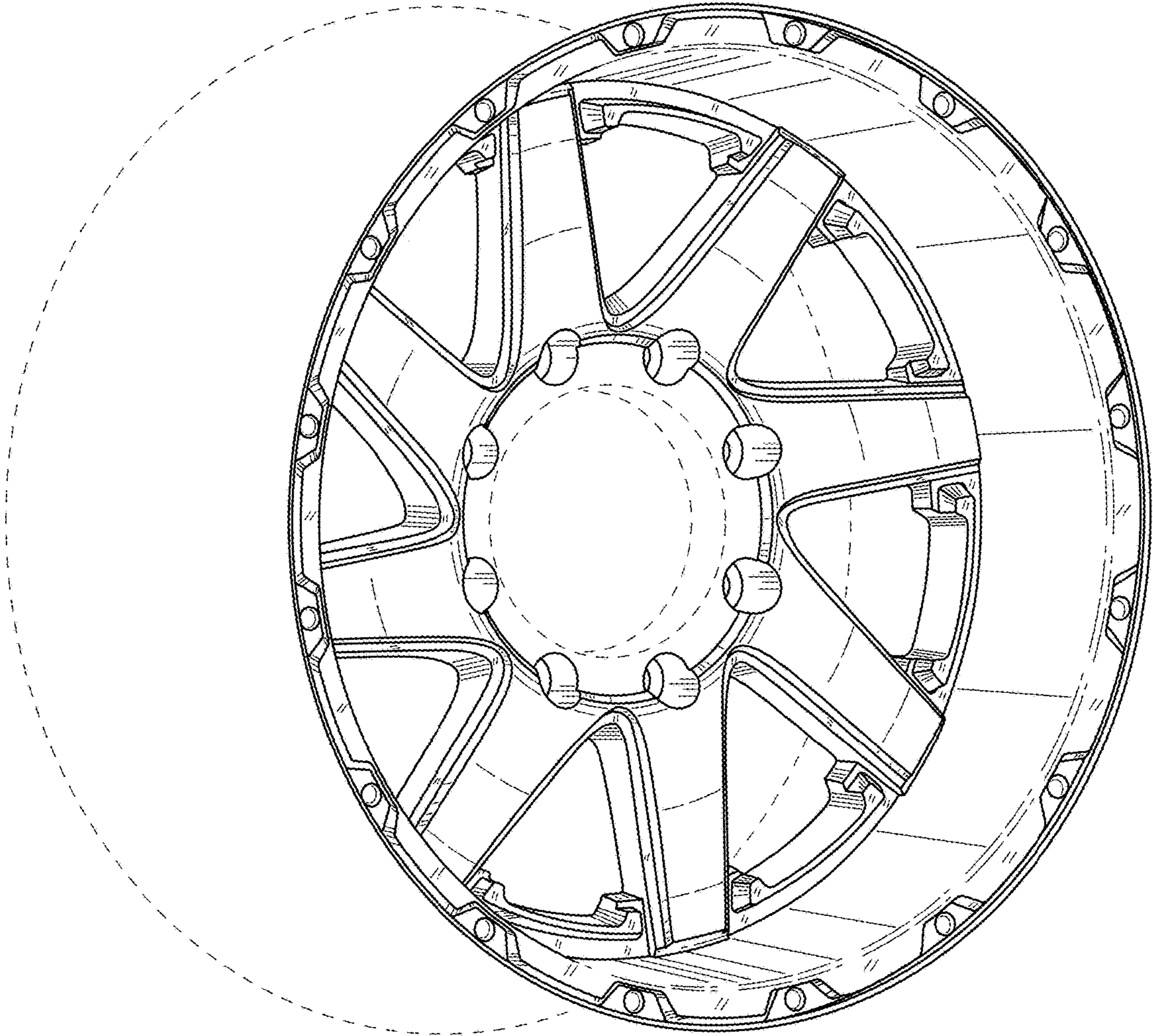


FIGURE 3

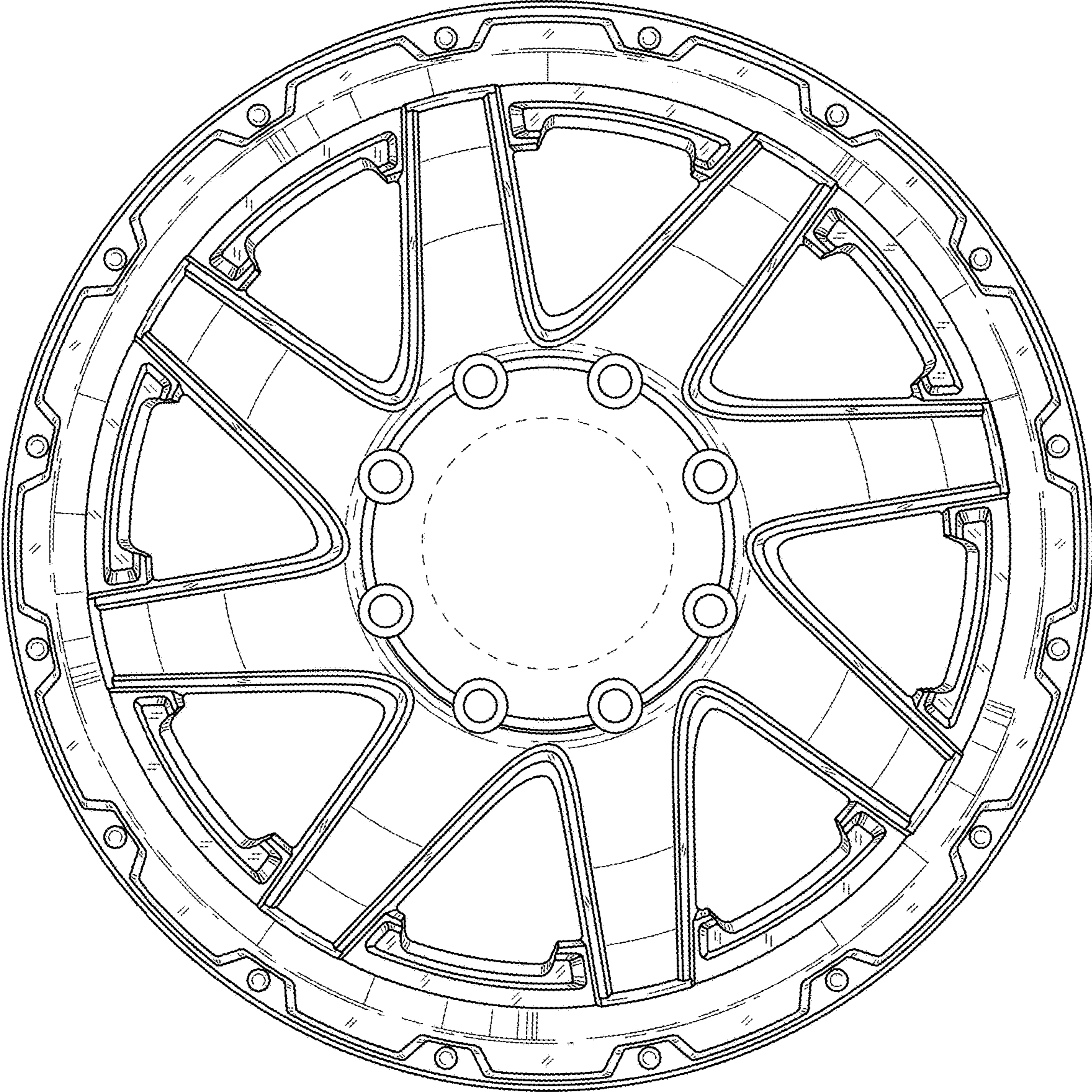


FIGURE 4