



US00D791671S

(12) **United States Design Patent**
Bucher et al.

(10) **Patent No.:** **US D791,671 S**
(45) **Date of Patent:** **** Jul. 11, 2017**

(54) **VEHICLE WHEEL**

(71) Applicant: **Ford Global Technologies, LLC**,
Dearborn, MI (US)

(72) Inventors: **George Bucher**, Dearborn, MI (US);
Dean Carbis, Bloomfield Hills, MI
(US); **Jesse R. Diephuis**, West
Bloomfield, MI (US)

(73) Assignee: **Ford Global Technologies, LLC**,
Dearborn, MI (US)

(**) Term: **15 Years**

(21) Appl. No.: **29/543,658**

(22) Filed: **Oct. 27, 2015**

(51) **LOC (10) Cl.** **12-16**

(52) **U.S. Cl.**
USPC **D12/211**

(58) **Field of Classification Search**
USPC D12/204–213
CPC B60B 7/00; B60B 7/01; B60B 7/02; B60B
7/04; B60B 7/06; B60B 3/02; B60B 3/04;
B60B 3/06; B60B 3/10; B60B 1/00;
B60B 1/08; B60B 1/10; B60B 1/12
See application file for complete search history.

(56) **References Cited**

U.S. PATENT DOCUMENTS

- D504,382 S * 4/2005 Elmitt D12/211
- D528,962 S * 9/2006 Blasi D12/211
- D593,020 S * 5/2009 Blasi D12/211
- D643,356 S 8/2011 Gotschke
- D644,586 S * 9/2011 Baum D12/209
- D644,587 S 9/2011 Gotschke
- D647,449 S 10/2011 Gotschke
- D660,765 S * 5/2012 Gotschke D12/209

- D667,355 S 9/2012 Gotschke
- D667,767 S 9/2012 Gotschke
- D668,198 S * 10/2012 Platto D12/211
- D692,816 S * 11/2013 Zhang D12/209
- D697,013 S * 1/2014 Nemeth D12/211
- D720,676 S * 1/2015 Caswell D12/209
- D726,626 S * 4/2015 Mays D12/211
- D744,933 S * 12/2015 Holstein D12/211
- D749,487 S * 2/2016 Mahoney D12/211
- D763,162 S * 8/2016 Garbas D12/211

OTHER PUBLICATIONS

- Bob Nagy <http://www.kbb.com/car-news/all-the-latest/2017-Ford-escape-spied/2000012056> 2017 Ford Escape spied, dated May 15, 2015.
- Mark McNabb <http://www.topspeed.com/trucks/truck-reviews/Ford/2017-Ford-escape-ar169435.html> 2017 Ford Escape dated May 18, 2015.
- Alexander Stoklosa <http://www.caranddriver/news/2017-Ford-escape-spy-photos-news> 2017 Ford Escape Spy Photos dated May 2015.
- Unknown <http://www.autoblog.com/2015/06/25/2017/Ford-escape-spy-shots> New Ford Escape spied inside and out dated Jun. 25, 2015.

* cited by examiner

Primary Examiner — Sandra Snapp
Assistant Examiner — Katherine Glennon
(74) *Attorney, Agent, or Firm* — LeClairRyan

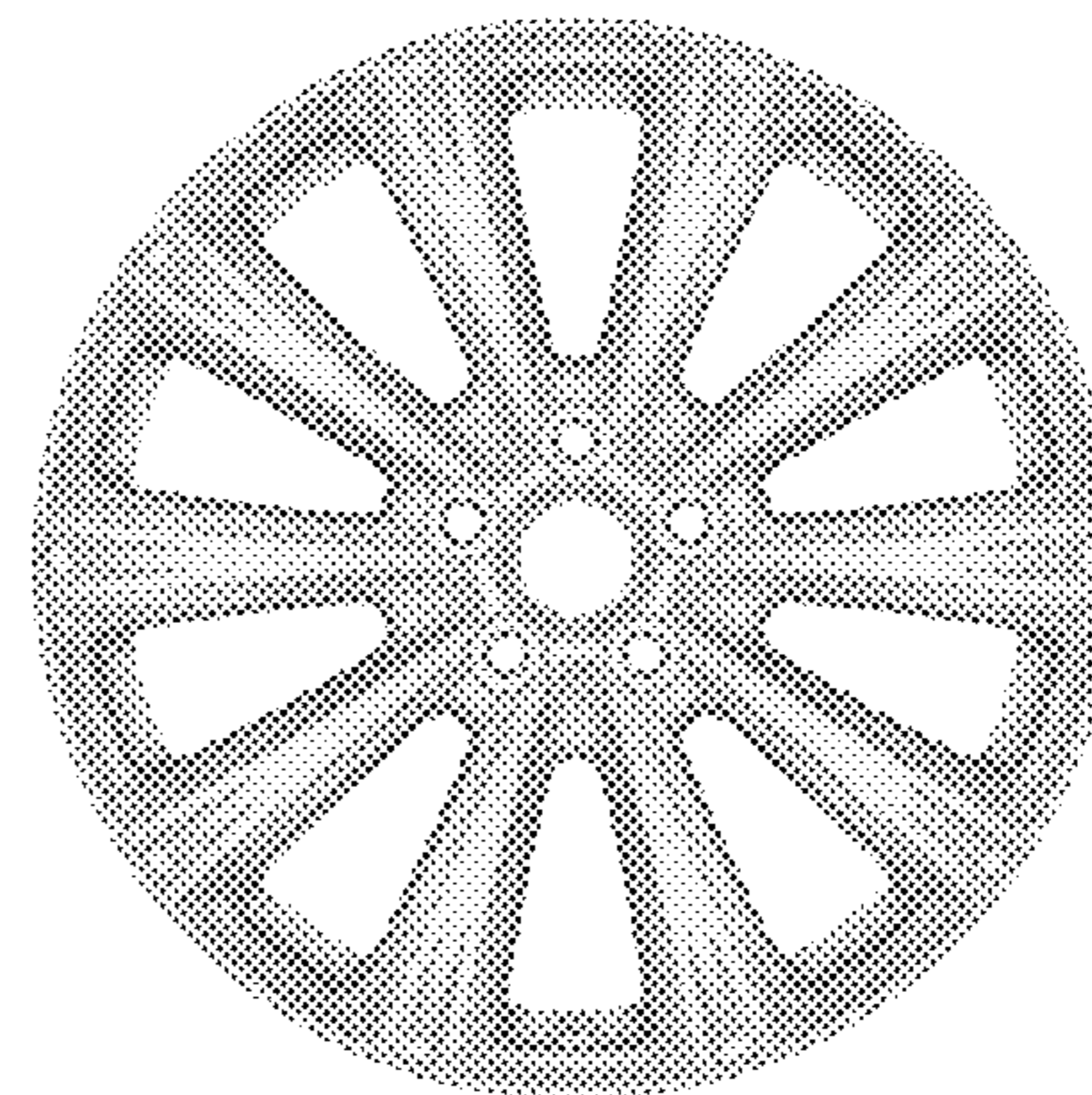
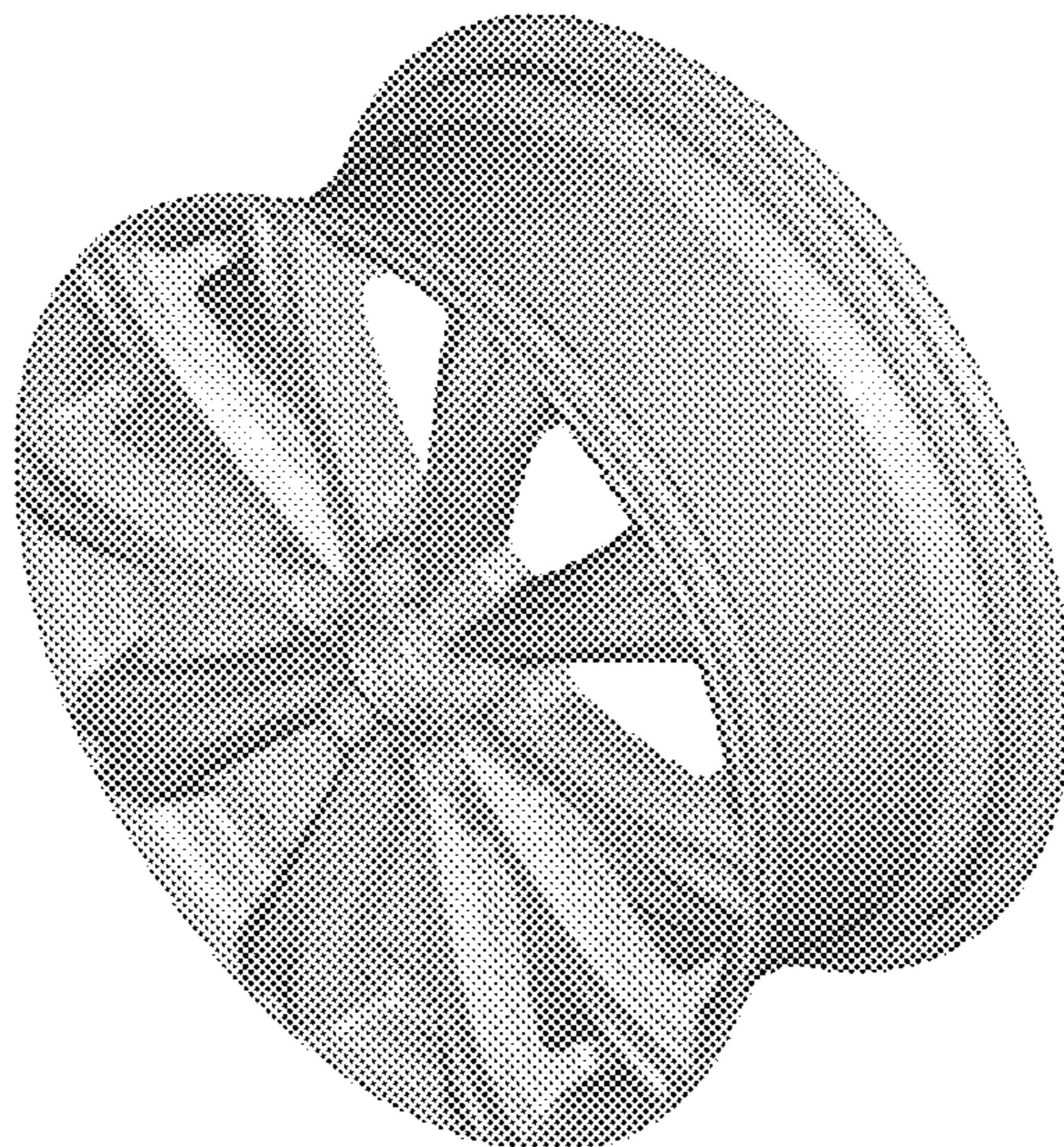
(57) **CLAIM**

The ornamental design for a vehicle wheel, as shown and described.

DESCRIPTION

FIG. 1 is a top perspective view of a vehicle wheel; and, FIG. 2 is a front elevational view thereof.

1 Claim, 2 Drawing Sheets



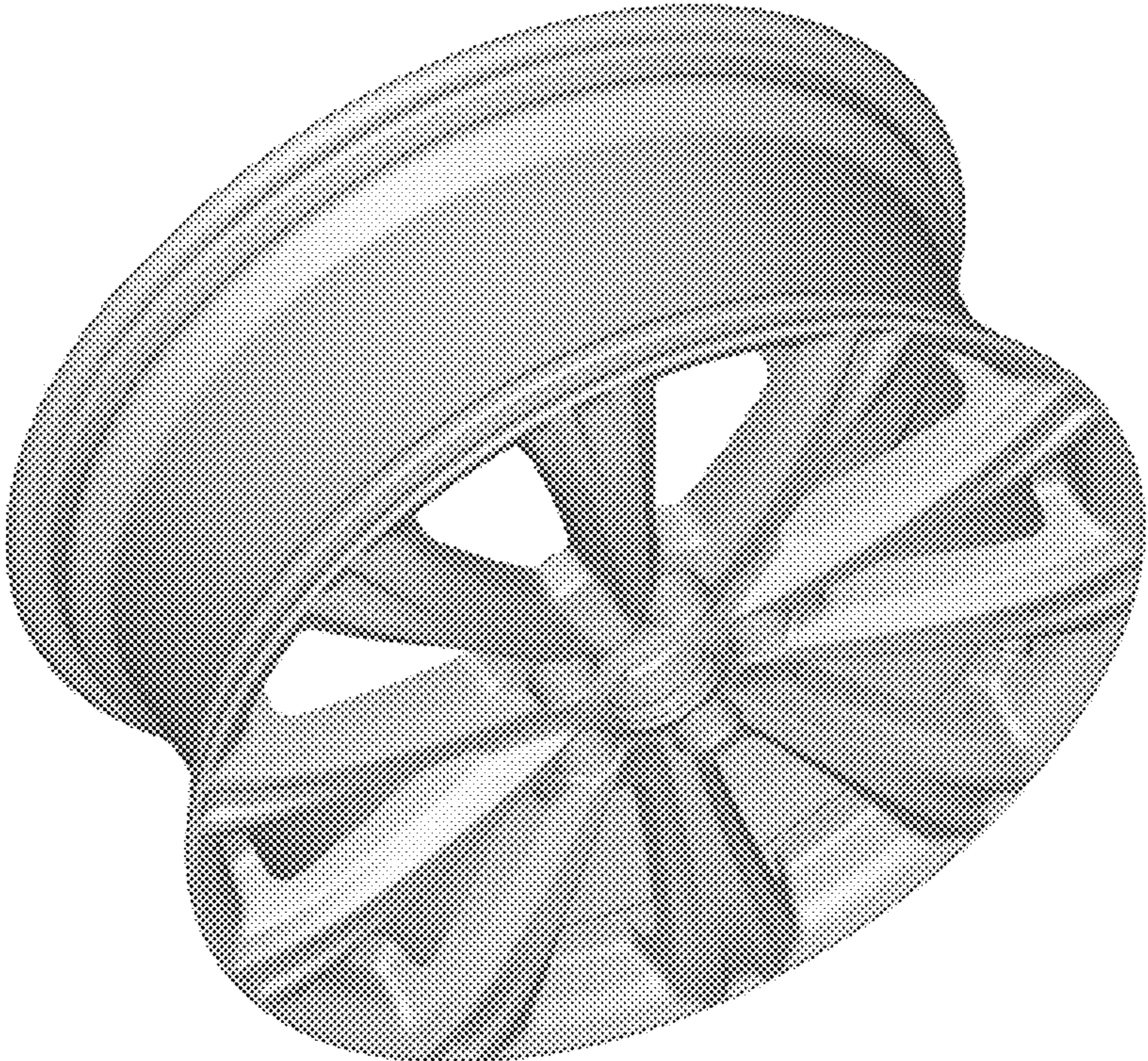


Figure 1



Figure 2