



US00D791670S

(12) **United States Design Patent**
Valencia Pollex

(10) **Patent No.:** **US D791,670 S**

(45) **Date of Patent:** **** Jul. 11, 2017**

(54) **VEHICLE WHEEL RIM**

(71) Applicant: **AUDI AG**, Ingolstadt (DE)

(72) Inventor: **Andreas Valencia Pollex**, Ingolstadt (DE)

(73) Assignee: **AUDI AG**, Ingolstadt (DE)

(**) Term: **15 Years**

(21) Appl. No.: **29/578,287**

(22) Filed: **Sep. 20, 2016**

(30) **Foreign Application Priority Data**

Mar. 21, 2016 (EM) 003 037 712-0009

(51) **LOC (10) Cl.** **12-16**

(52) **U.S. Cl.**
USPC **D12/209**

(58) **Field of Classification Search**
USPC D12/204–213
CPC B60B 7/00; B60B 7/02; B60B 7/04; B60B 7/01; B60B 7/06; B60B 3/02; B60B 3/04; B60B 3/06; B60B 3/10; B60B 1/00; B60B 1/08; B60B 1/10; B60B 1/12
See application file for complete search history.

(56) **References Cited**

U.S. PATENT DOCUMENTS

- D379,612 S * 6/1997 Honarkhah D12/209
- D569,322 S * 5/2008 Scheu D12/211
- D574,311 S * 8/2008 Chung D12/209
- D590,322 S * 4/2009 Rak D12/211
- D655,657 S * 3/2012 Juergens D12/209
- D660,767 S * 5/2012 von Holzhausen D12/209

- D666,958 S * 9/2012 Suzuki D12/211
- D678,164 S * 3/2013 Badstuebner D12/211
- D686,132 S * 7/2013 Truebsbach D12/209
- D691,081 S * 10/2013 Watkin D12/211
- D695,185 S * 12/2013 Juergens D12/209
- D695,186 S * 12/2013 Pollmann D12/209
- D726,628 S * 4/2015 Kong D12/211
- D729,138 S * 5/2015 Davidson D12/209
- D744,928 S * 12/2015 Valencia Pollex D12/209
- D746,212 S * 12/2015 Valencia Pollex D12/211
- D756,287 S * 5/2016 Koglin D12/211
- D756,878 S * 5/2016 Valencia Pollex D12/209
- D759,562 S * 6/2016 Wheel D12/209
- D759,564 S * 6/2016 Valencia Pollex D12/209
- D759,566 S * 6/2016 Valencia Pollex D12/211
- D762,545 S * 8/2016 Hodges D12/209
- D769,172 S * 10/2016 Ishii D12/211
- D781,769 S * 3/2017 Valencia Pollex D12/211
- D785,537 S * 5/2017 Valencia Pollex D12/211

FOREIGN PATENT DOCUMENTS

CA 168729 S 3/2017

* cited by examiner

Primary Examiner — Stacia Cadmus

(74) *Attorney, Agent, or Firm* — Lucas & Mercanti, LLP; Klaus P. Stoffel

(57) **CLAIM**

The ornamental design for a vehicle wheel rim, as shown and described.

DESCRIPTION

FIG. 1 is a front view of the vehicle wheel rim of the present invention; and, FIG. 2 is a front, side perspective view thereof.

1 Claim, 2 Drawing Sheets

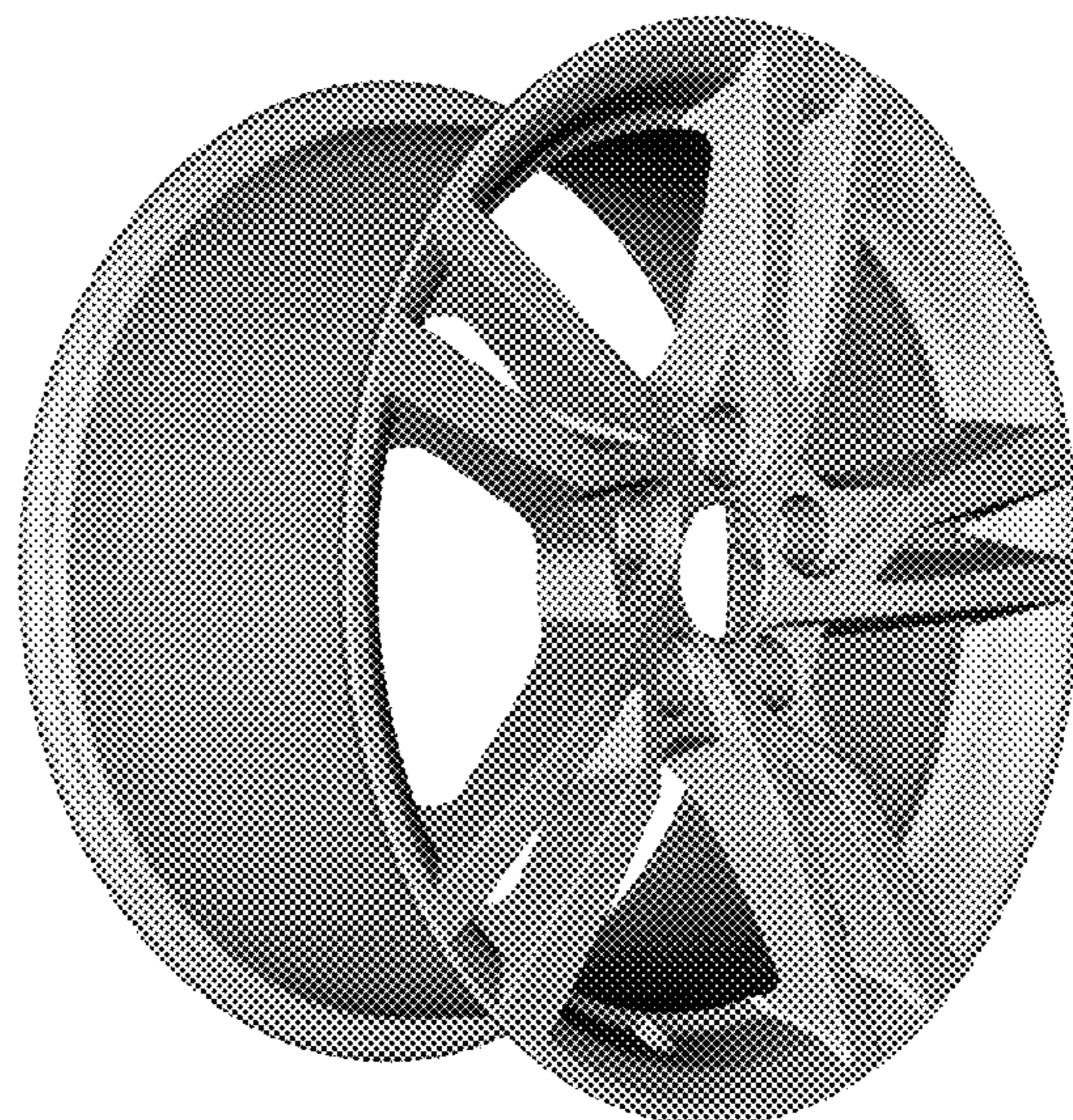
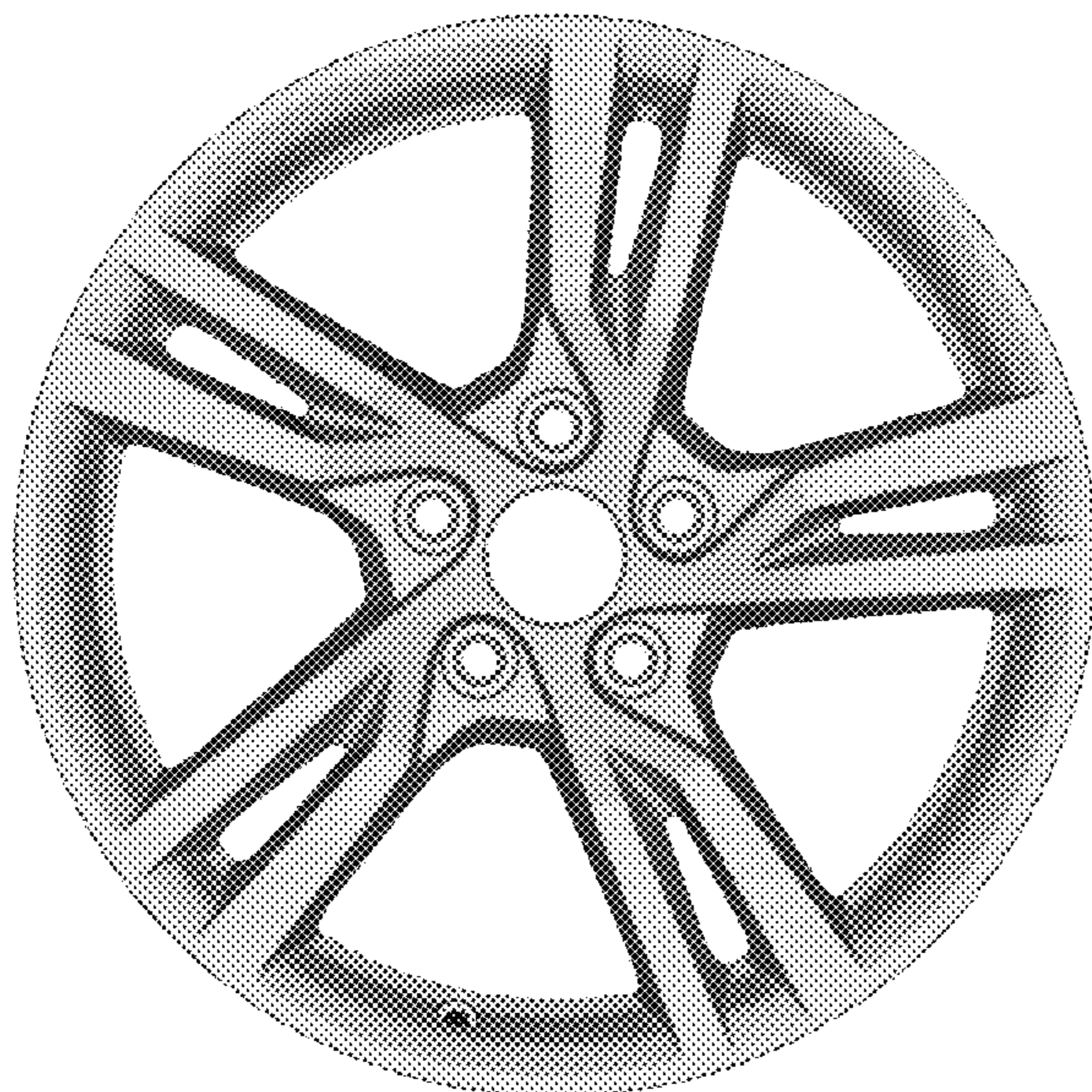




Fig. 1



Fig. 2