



US00D791667S

(12) **United States Design Patent**  
**Prasad et al.**

(10) **Patent No.:** **US D791,667 S**

(45) **Date of Patent:** **\*\* Jul. 11, 2017**

(54) **SPINDLE HUB FOR WHEEL**

(71) Applicant: **ALCOA INC.**, Pittsburgh, PA (US)

(72) Inventors: **Santosh Prasad**, Murrysville, PA (US);  
**James T. Burg**, Verona, PA (US);  
**Gabriele F. Ciccola**, Hudson, OH (US);  
**Grant DeGeorge**, Strongsville, OH  
(US); **Michael A. Pacek**, Freeport, PA  
(US)

(73) Assignee: **Arconic Inc.**, Pittsburgh, PA (US)

(\*\*) Term: **15 Years**

(21) Appl. No.: **29/574,803**

(22) Filed: **Aug. 18, 2016**

(51) **LOC (10) Cl.** ..... **12-16**

(52) **U.S. Cl.**  
USPC ..... **D12/207**

(58) **Field of Classification Search**  
USPC ..... D12/204-213; 280/250.1, 279  
CPC .... B60B 7/00; B60B 7/02; B60B 7/04; B60B  
7/01; B60B 7/06; B60B 3/02; B60B 3/04;  
B60B 3/06; B60B 3/10; B60B 1/00;  
B60B 1/08; B60B 1/10; B60B 1/12;  
B60B 27/02; B60B 27/0052; B60B  
27/0078; B60B 27/026; B60B 27/0057;  
B60B 1/042; B62K 25/02  
See application file for complete search history.

(56) **References Cited**

U.S. PATENT DOCUMENTS

D274,716 S \* 7/1984 Mahnig ..... D12/207  
D381,615 S \* 7/1997 Smith ..... D12/207

D470,447 S \* 2/2003 Orey ..... D12/207  
D504,377 S \* 4/2005 Caudill ..... D12/207  
D538,727 S \* 3/2007 Wright ..... D12/207  
D583,290 S \* 12/2008 Wang ..... D12/207  
D591,215 S \* 4/2009 Weigand ..... D12/207  
D627,697 S \* 11/2010 Wang ..... D12/207  
D651,150 S \* 12/2011 Biewer ..... D12/207  
D651,151 S \* 12/2011 Biewer ..... D12/207  
D749,482 S \* 2/2016 Schroeder ..... D12/207  
D766,801 S \* 9/2016 Lin ..... D12/207  
D776,038 S \* 1/2017 Hensel ..... D12/207

\* cited by examiner

*Primary Examiner* — Stacia Cadmus

(74) *Attorney, Agent, or Firm* — Greenberg Traurig, LLP

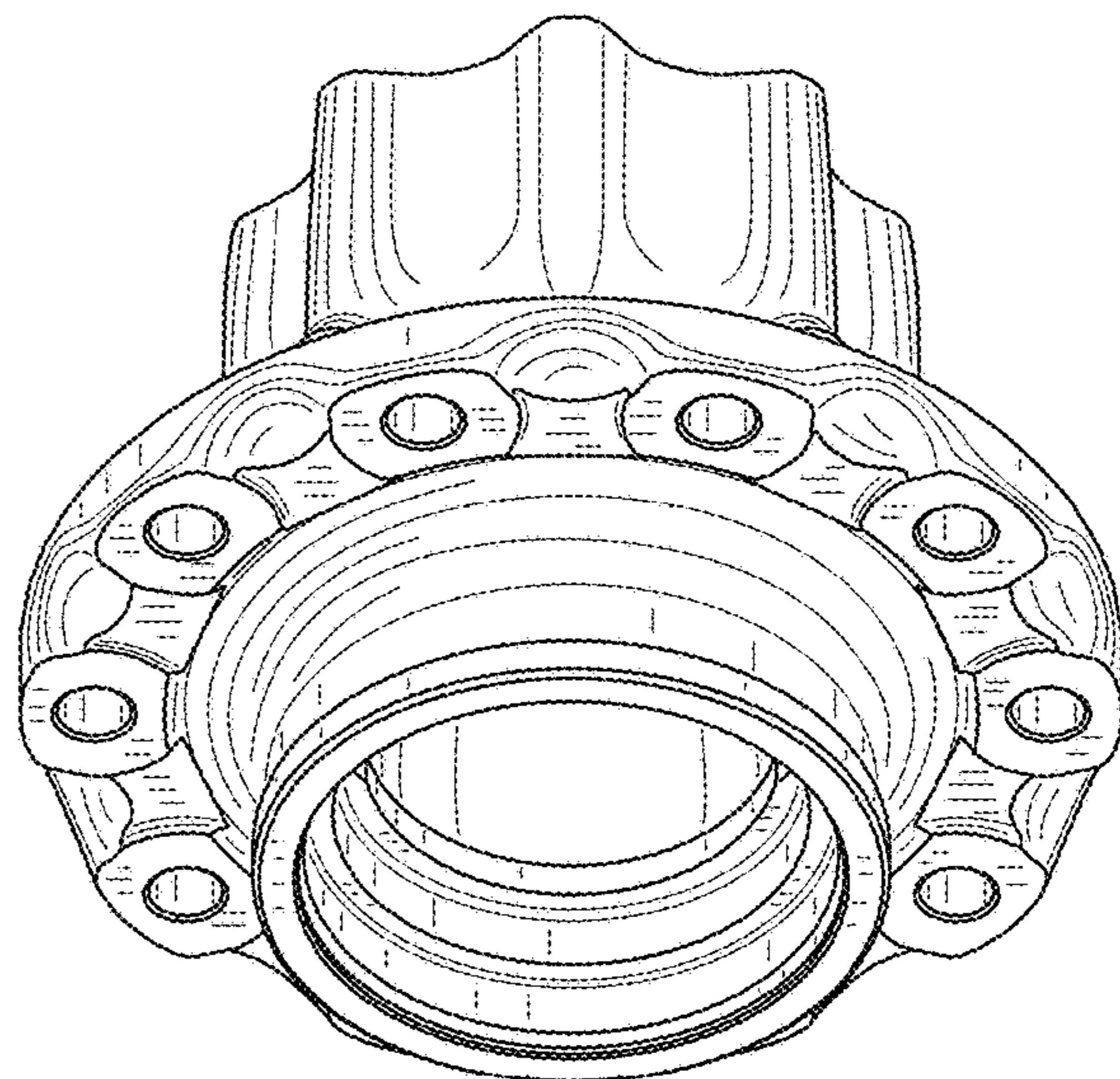
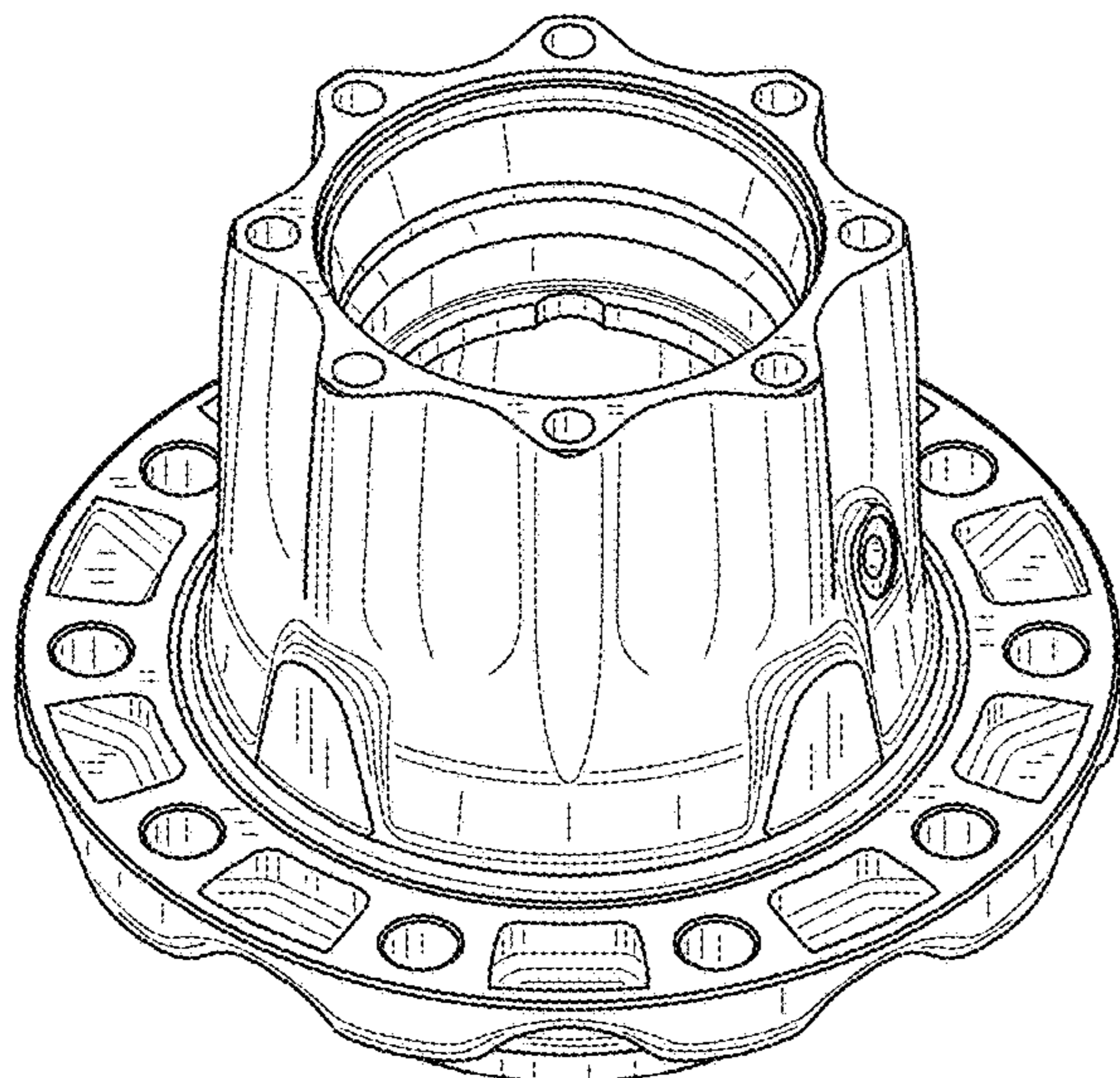
(57) **CLAIM**

The ornamental design for a spindle hub for wheel, as shown and described.

**DESCRIPTION**

FIG. 1 is a top perspective view of a spindle hub for a wheel. FIG. 2 is a bottom perspective view of the spindle hub. FIG. 3 is a front view of the spindle hub. FIG. 4 is a back view of the spindle hub. FIG. 5 is a right side view of the spindle hub. FIG. 6 is a left side view of the spindle hub. FIG. 7 is a top view of the spindle hub. FIG. 8 is a bottom view of the spindle hub; and, FIG. 9 is a cross-sectional view of the spindle hub, taken along line 9-9 in FIG. 7.

**1 Claim, 9 Drawing Sheets**



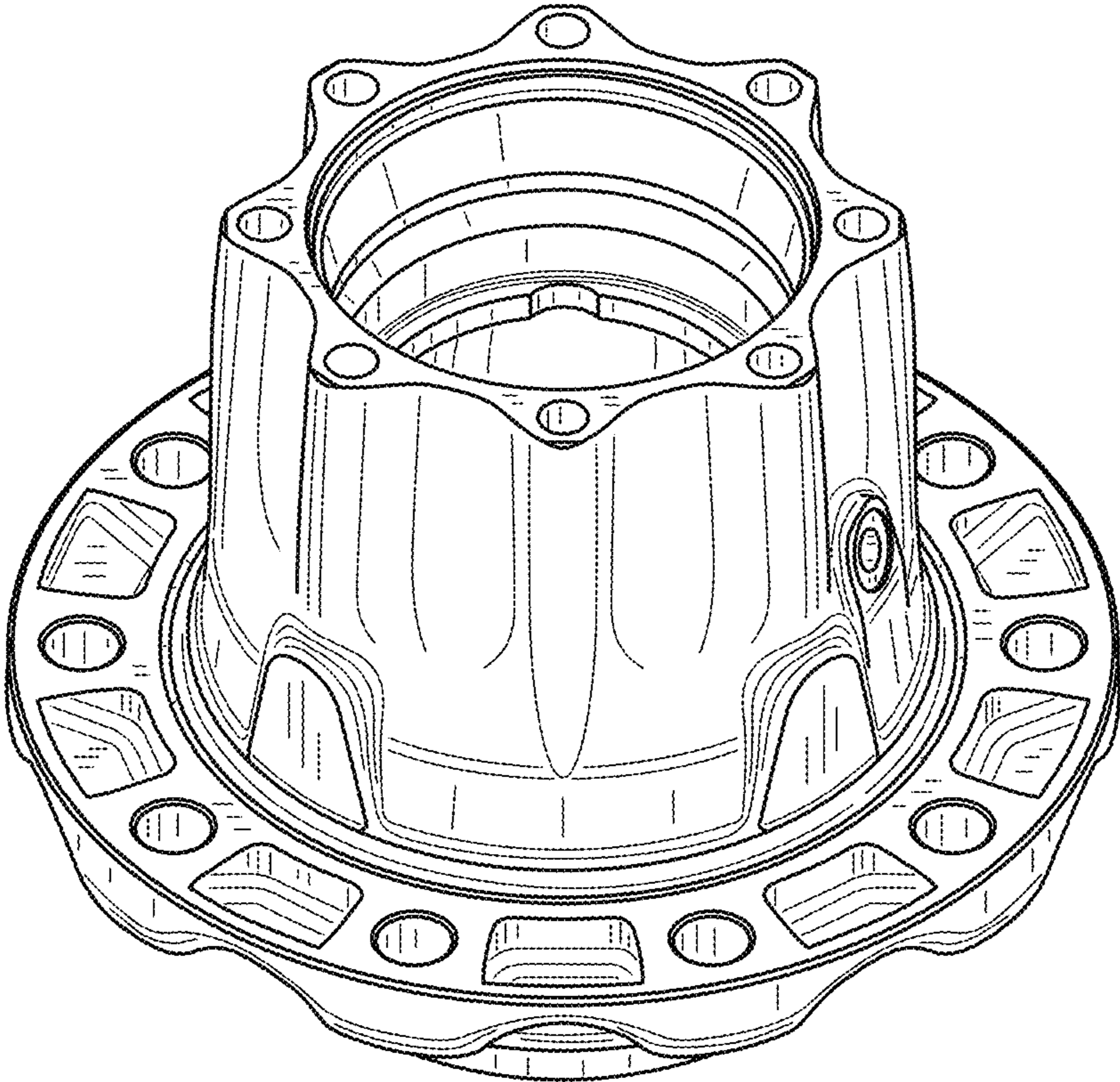


FIG.1

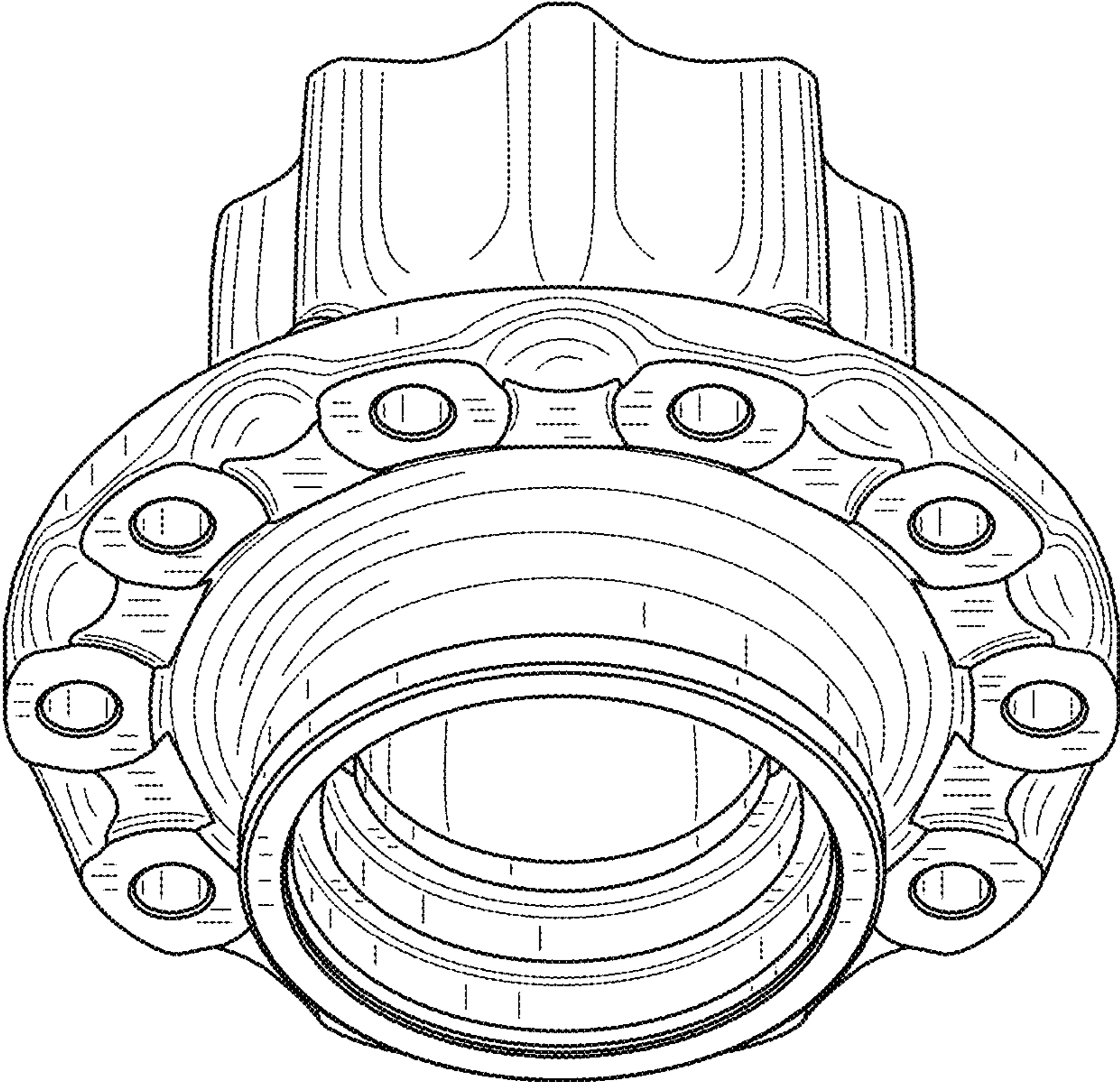


FIG.2

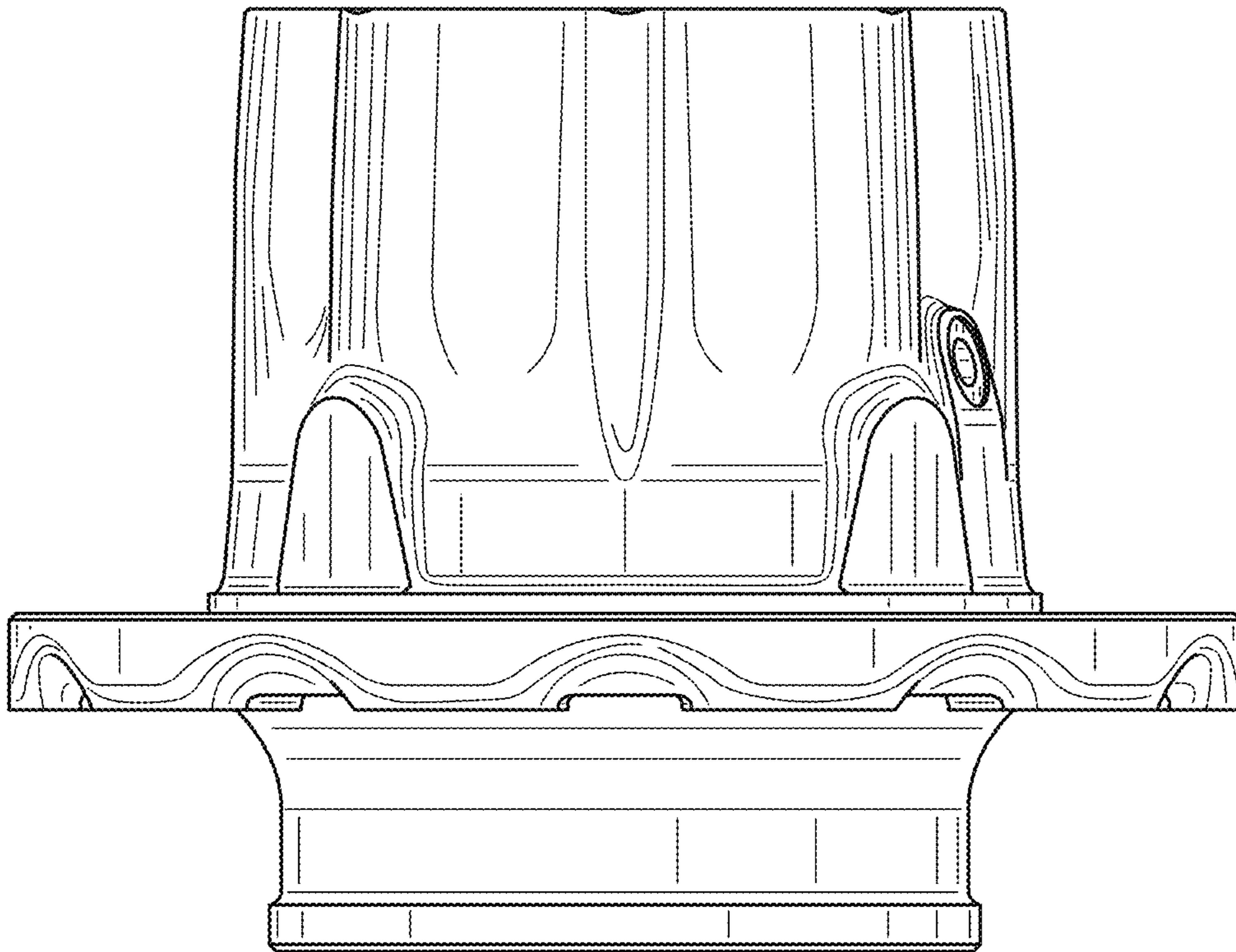


FIG.3

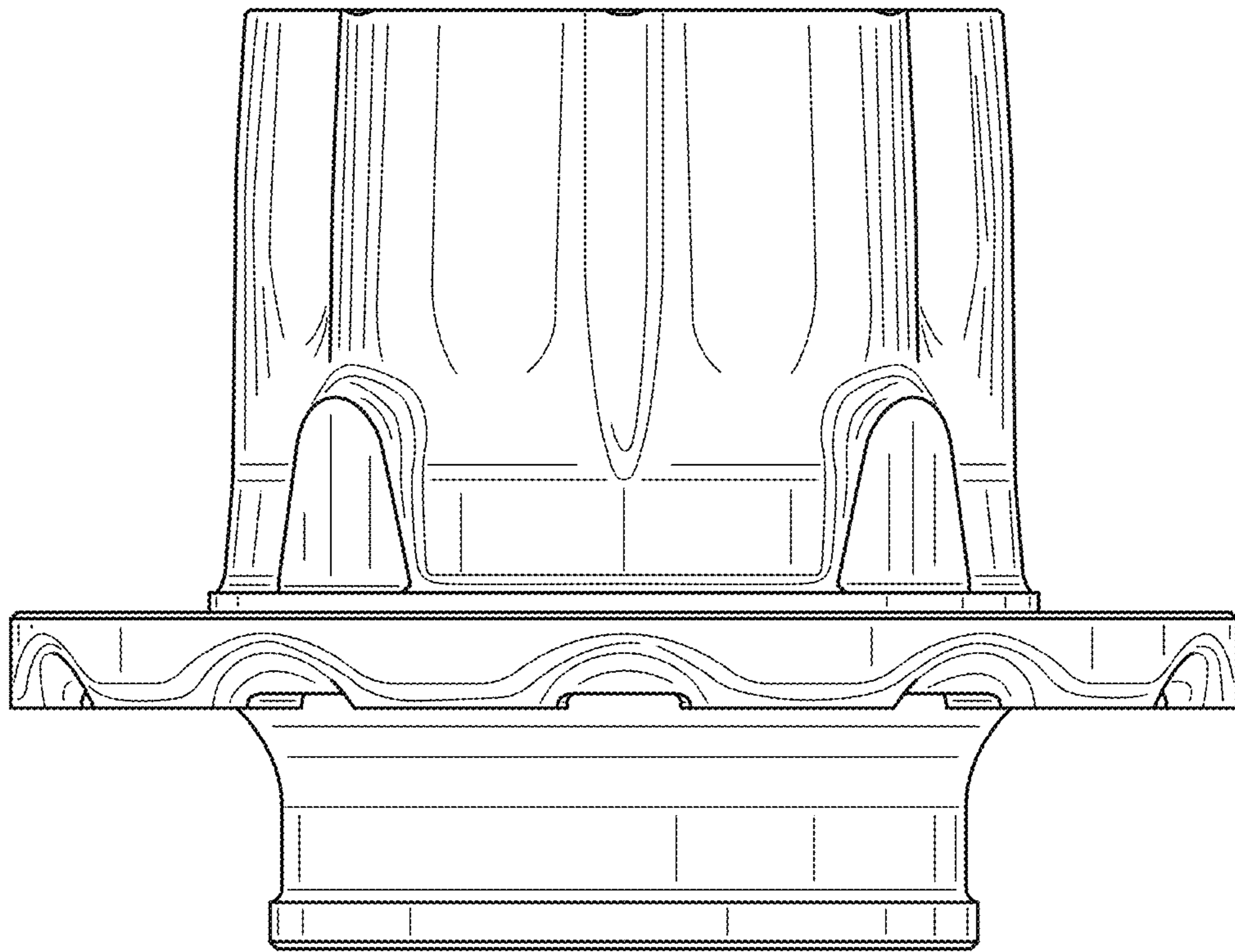


FIG.4

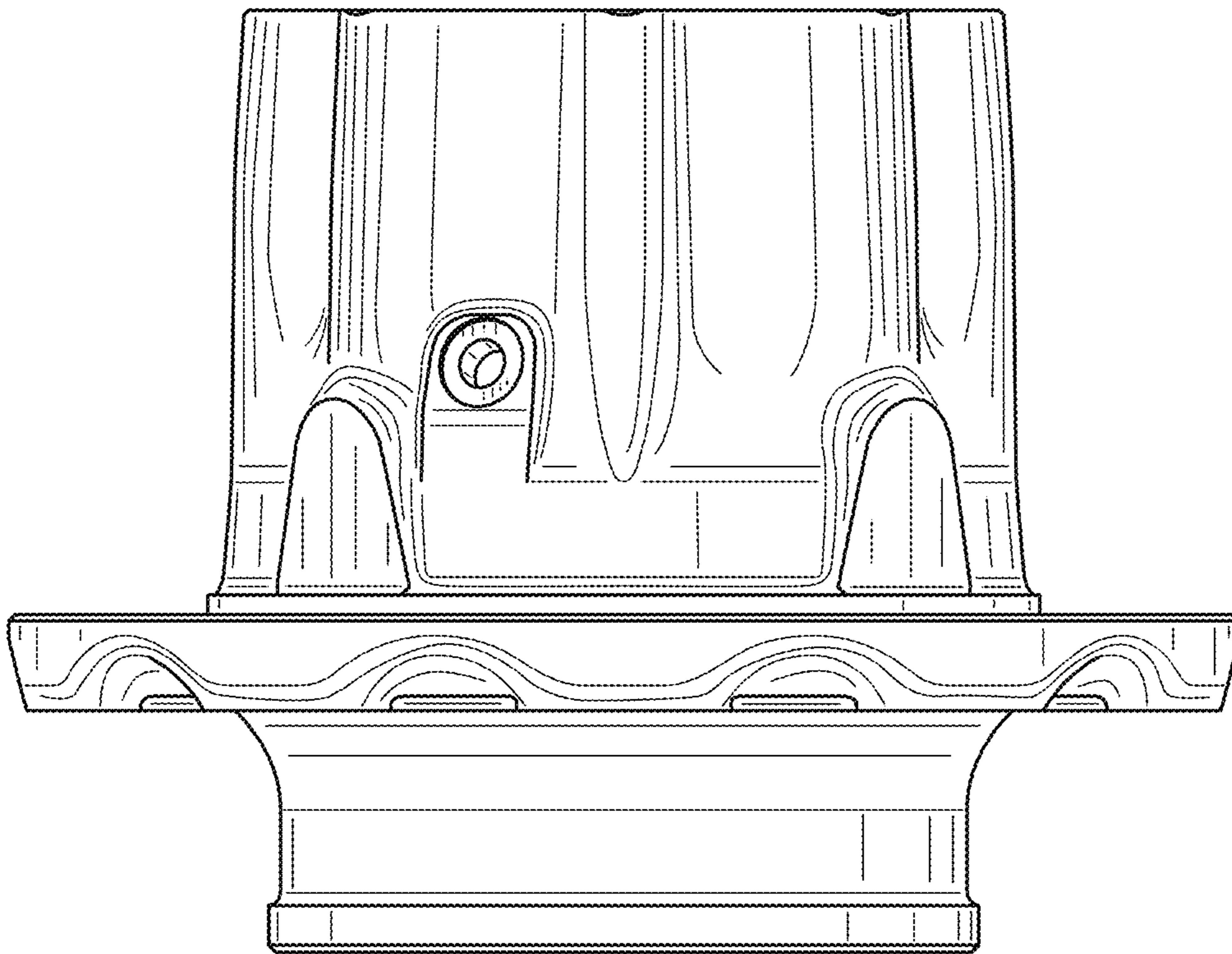


FIG.5

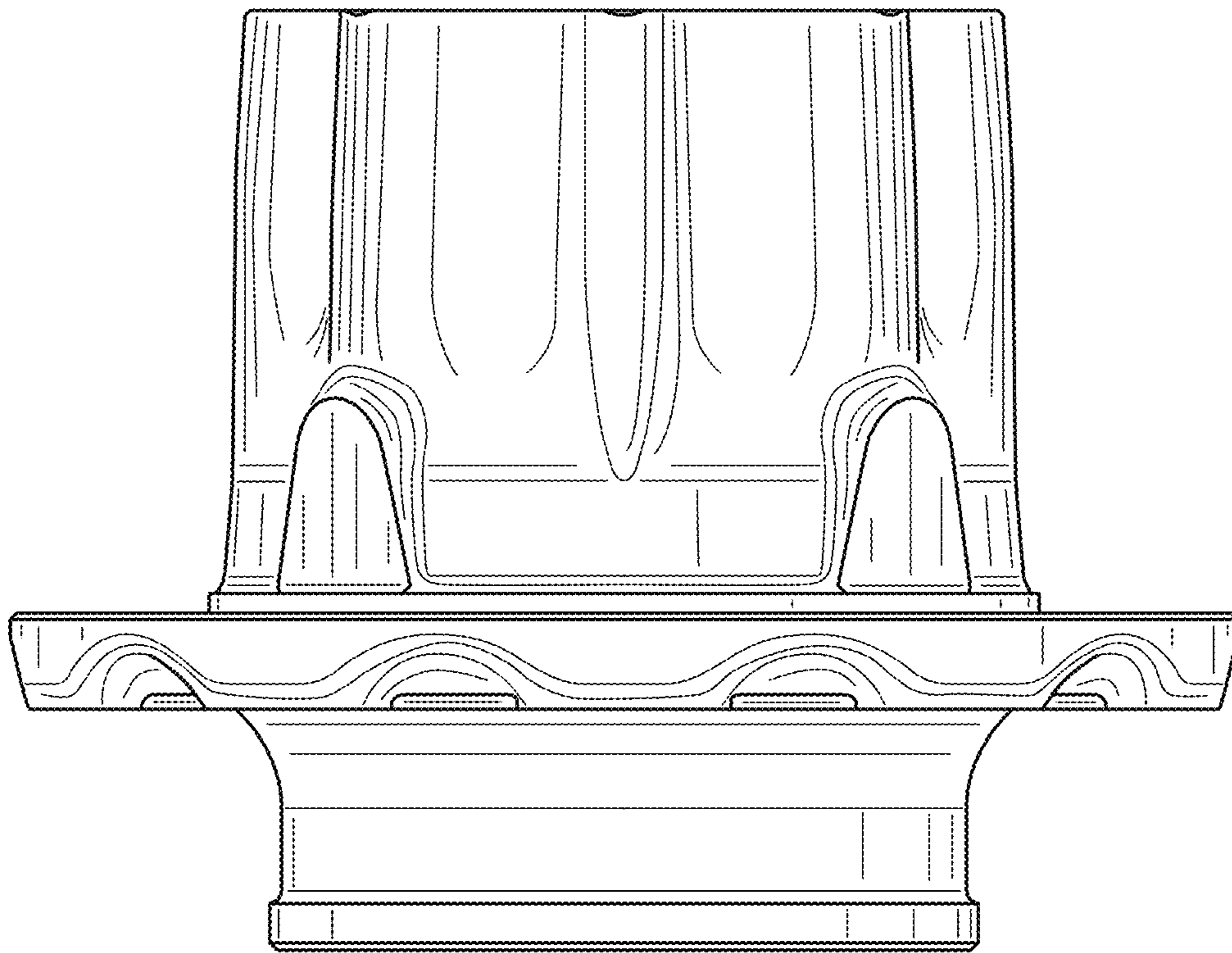


FIG.6

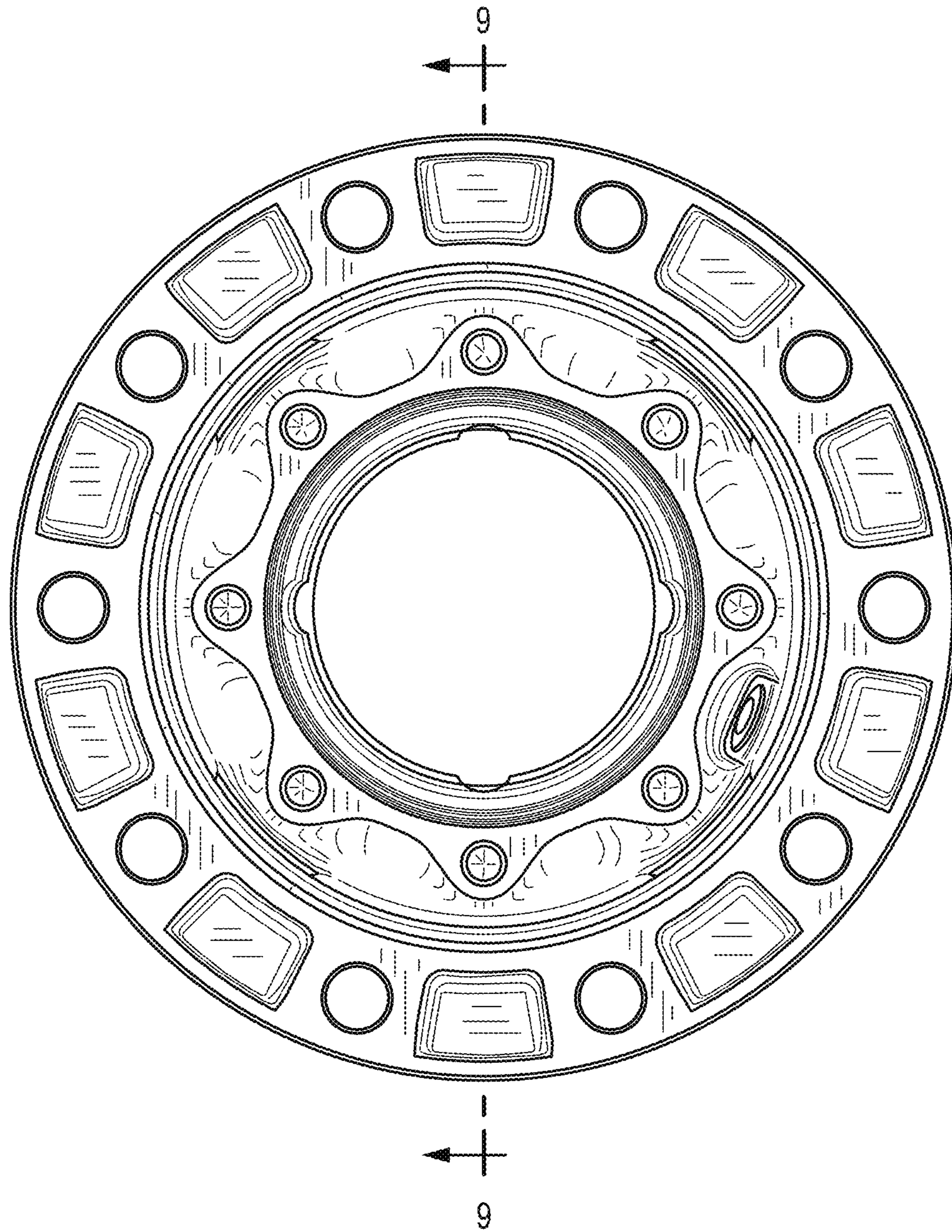


FIG.7



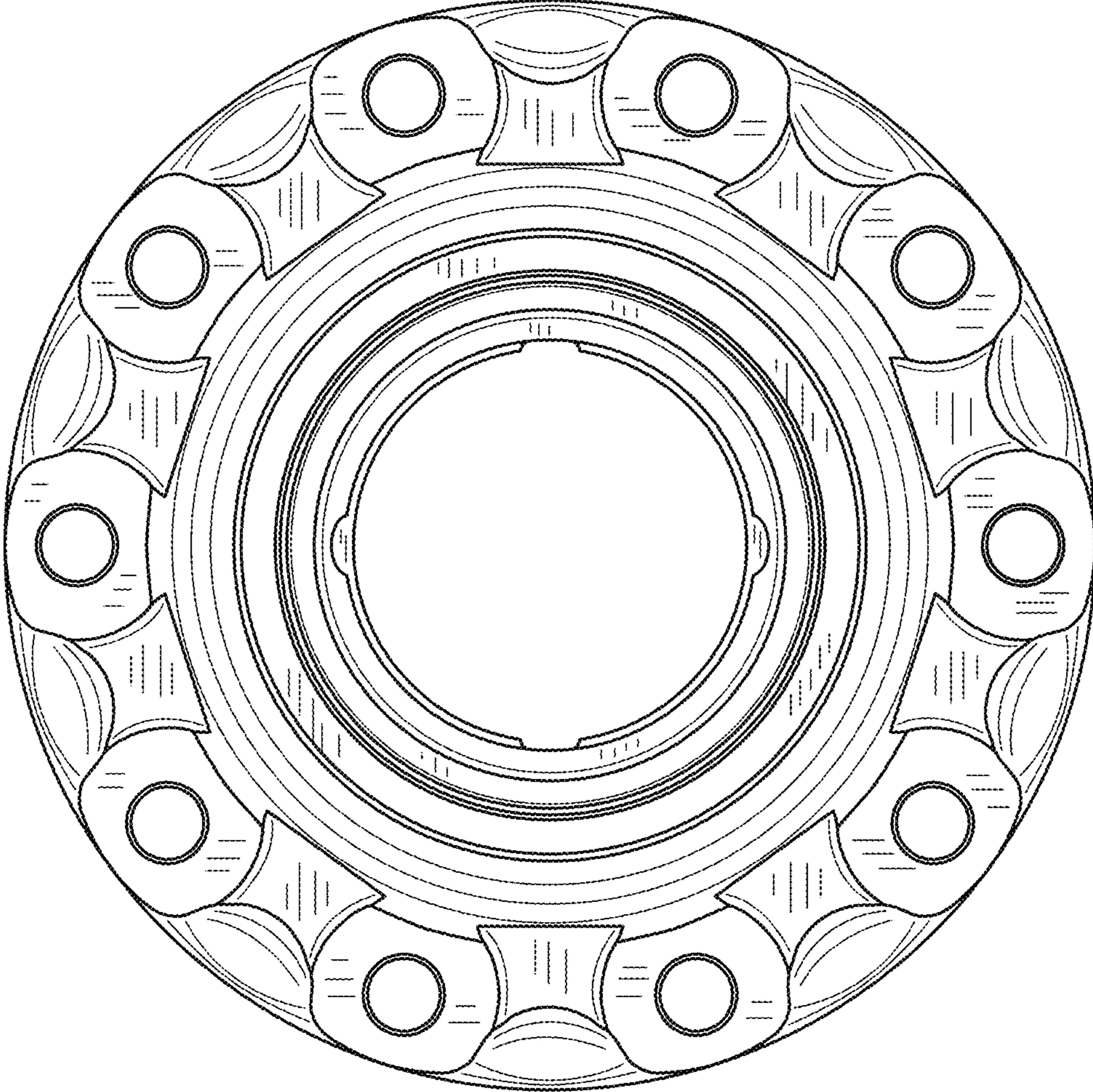


FIG.8

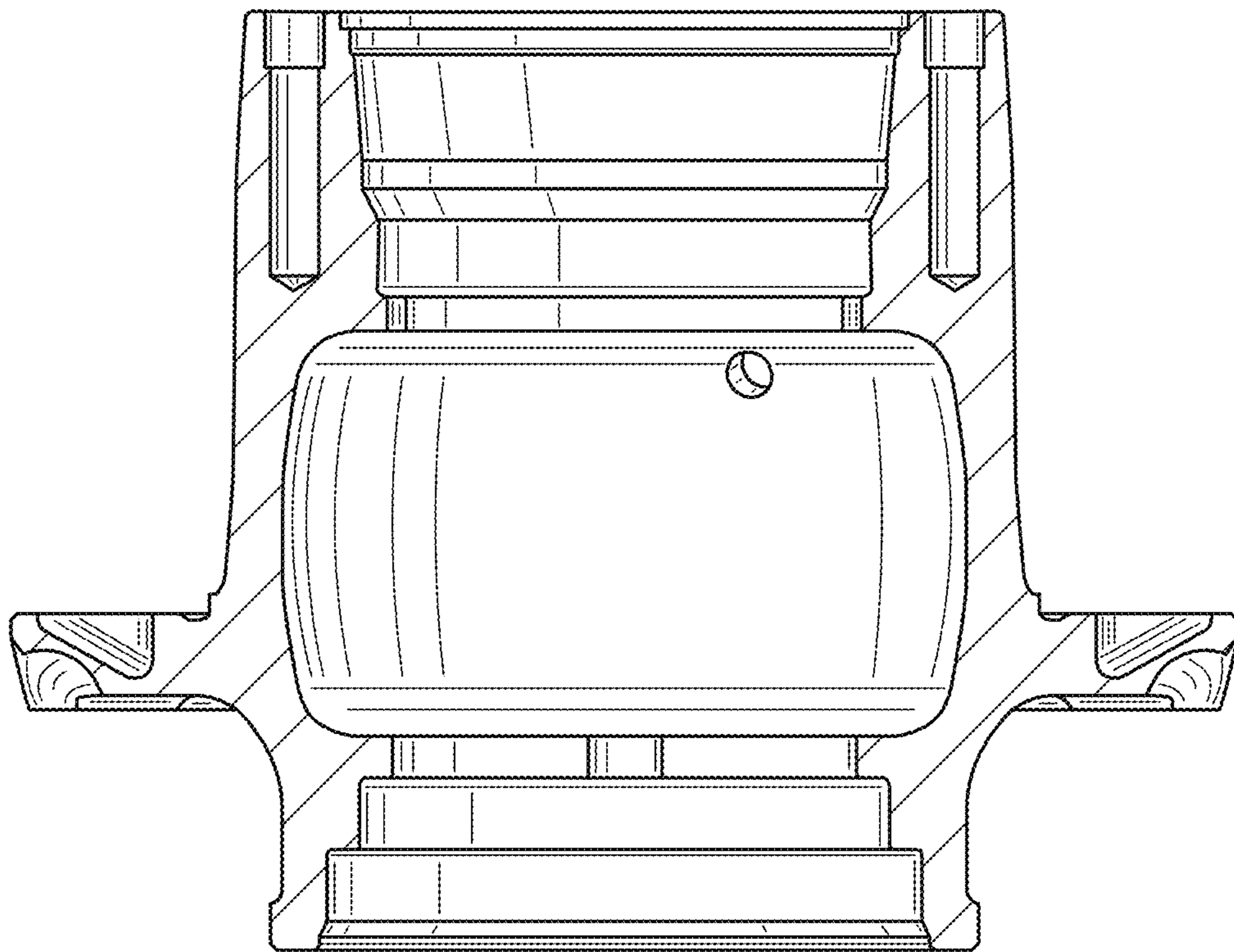


FIG.9