



US00D791664S

(12) **United States Design Patent**
Igarashi

(10) **Patent No.:** **US D791,664 S**
(45) **Date of Patent:** **** Jul. 11, 2017**

(54) **INSTRUMENT PANEL FOR AN
AUTOMOBILE**

FOREIGN PATENT DOCUMENTS

(71) Applicant: **Nissan Motor Co., Ltd.**, Yokohama,
Kanagawa (JP)

JP D1440094 S 6/2012
JP D1448686 S 8/2012

(Continued)

(72) Inventor: **Tomihisa Igarashi**, Kanagawa (JP)

Primary Examiner — Katrina A Betton

(74) *Attorney, Agent, or Firm* — Global IP Counselors,
LLP

(73) Assignee: **Nissan Motor Co., Ltd.**, Yokohama
(JP)

(57) **CLAIM**

The ornamental design for an instrument panel for an
automobile, as shown and described.

(**) Term: **15 Years**

DESCRIPTION

(21) Appl. No.: **29/568,913**

(22) Filed: **Jun. 22, 2016**

(30) **Foreign Application Priority Data**

Dec. 23, 2015 (JP) 2015-028604

(51) **LOC (10) Cl.** **12-16**

(52) **U.S. Cl.**
USPC **D12/192**

(58) **Field of Classification Search**
USPC D12/192, 415, 110, 114; D15/17, 28;
D10/46, 98, 102-103, 122-127
CPC G08G 1/096883; G01C 21/16; G01C
21/3688; G01C 21/30
See application file for complete search history.

FIG. 1 is a front elevational view of an instrument panel for
an automobile in accordance with my new design;
FIG. 2 is a top plan view of the instrument panel in
accordance with my new design of FIG. 1;
FIG. 3 is a bottom plan view of the instrument panel in
accordance with my new design of FIGS. 1 and 2;
FIG. 4 is a right side elevational view of the instrument panel
in accordance with my new design of FIGS. 1 to 3;
FIG. 5 is a left side elevational view of the instrument panel
in accordance with my new design of FIGS. 1 to 4;
FIG. 6 is a front, left side perspective view of the instrument
panel in accordance with my new design of FIGS. 1 to 5;
and,
FIG. 7 is a front, right perspective view of the instrument
panel in accordance with my new design of FIGS. 1 to 6.
The rear view and rear surfaces of the instrument panel
forms no part of the claimed design. The instrument panel is
configured to be mounted to an automobile. The rear view,
and rear surfaces, visible in FIGS. 2, 3, 6, and 7 of the
instrument panel, form no part of the claimed design since
the mounting structure and support structure are hidden
when the instrument panel is mounted to the automobile.
A second embodiment of my new design is identical to the
first embodiment. The second embodiment of my new
design includes the mirror image of the instrument panel
shown in FIGS. 1 to 7.

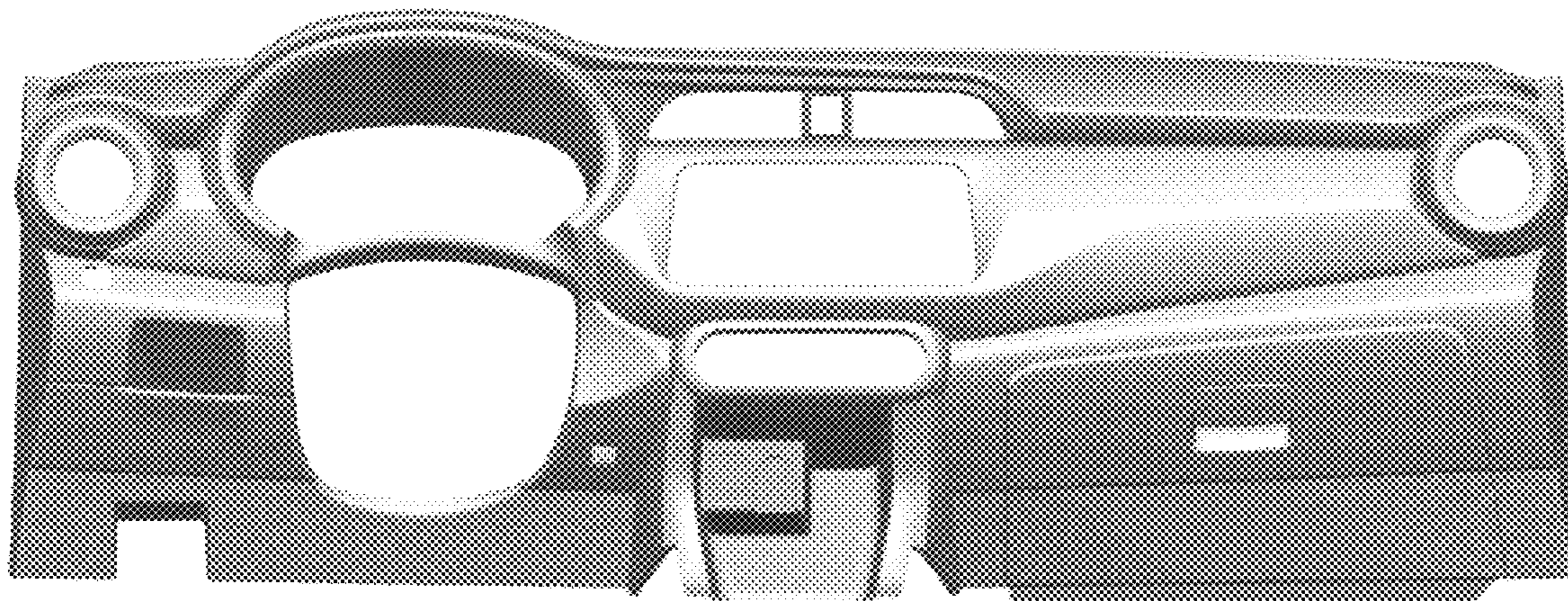
(56) **References Cited**

U.S. PATENT DOCUMENTS

D697,460 S 1/2014 Matsuda et al.
D697,849 S 1/2014 Tanaka et al.
D699,171 S 2/2014 Matsuo
D730,793 S 6/2015 Ishikawa
D737,186 S 8/2015 Nakao
D756,279 S 5/2016 Shouno et al.

(Continued)

1 Claim, 7 Drawing Sheets



(56)

References Cited

U.S. PATENT DOCUMENTS

D762,152 S * 7/2016 Inagaki D12/192
 D763,154 S * 8/2016 Chang D12/192
 D763,155 S * 8/2016 Sahs D12/192
 D770,348 S * 11/2016 Shimizu D12/192
 D770,953 S * 11/2016 Tanaka D12/192
 D771,541 S * 11/2016 Shouno D12/192
 D772,128 S * 11/2016 Platt D12/192
 D776,029 S * 1/2017 Callum D12/192
 D778,796 S * 2/2017 Gommier D12/192
 D778,797 S * 2/2017 Ito D12/192
 D780,649 S * 3/2017 Tanaka D12/192

FOREIGN PATENT DOCUMENTS

JP D1460199 S 1/2013
 JP D1461053 S 2/2013
 JP D1461418 S 2/2013
 JP D1461453 S 2/2013
 JP D1461471 S 2/2013

JP D1462038 S 2/2013
 JP D1480100 S 9/2013
 JP D1462021 S 2/2014
 JP D1490381 S 2/2014
 JP D1491432 S 3/2014
 JP D1501345 S 6/2014
 JP D1501857 S 7/2014
 JP D1503270 S 7/2014
 JP D1480088 S 9/2014
 JP D1515986 S 1/2015
 JP D1529399 S 7/2015
 JP D1530132 S 8/2015
 JP D1530313 S 8/2015
 JP D1530339 S 8/2015
 JP D1535645 S 10/2015
 JP D1536990 S 11/2015
 JP D1542403 S 1/2016
 JP D1543306 S 2/2016
 JP D1543330 S 2/2016
 JP D1550179 S 5/2016
 JP D1560453 S 10/2016
 JP D1561330 S 1/2017

* cited by examiner

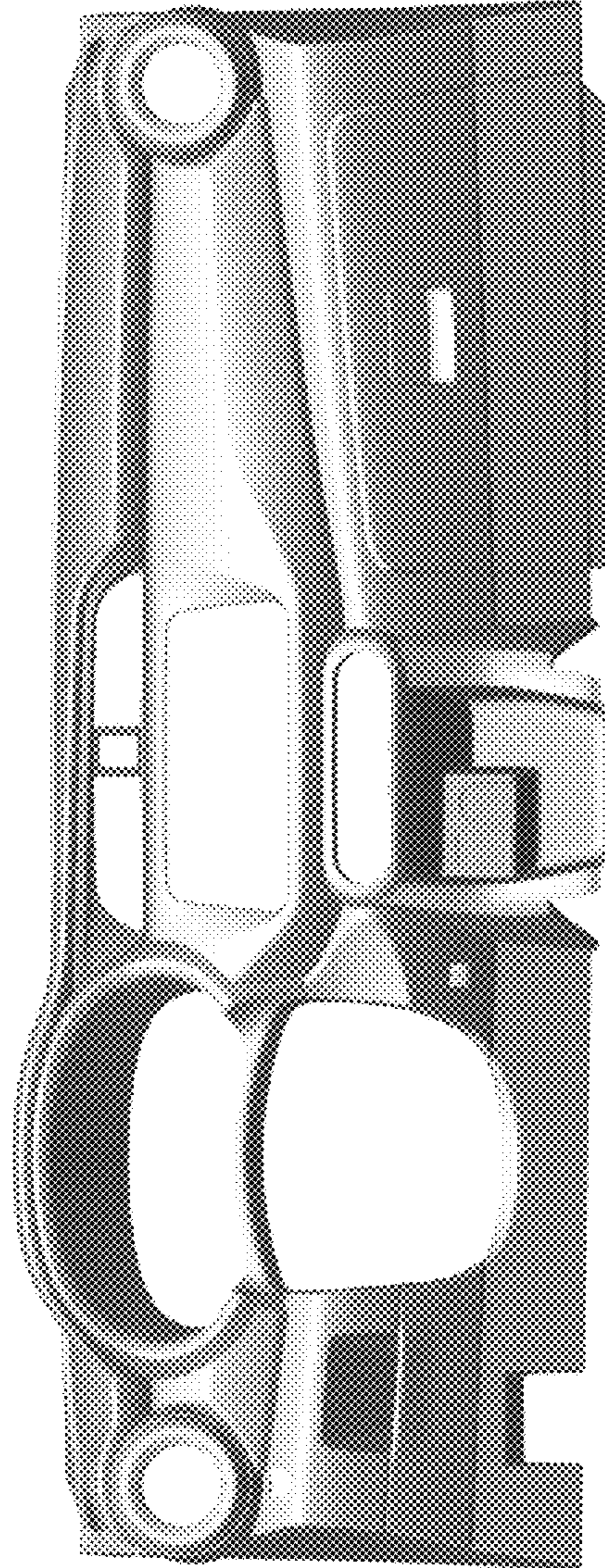


FIG. 1



FIG. 2

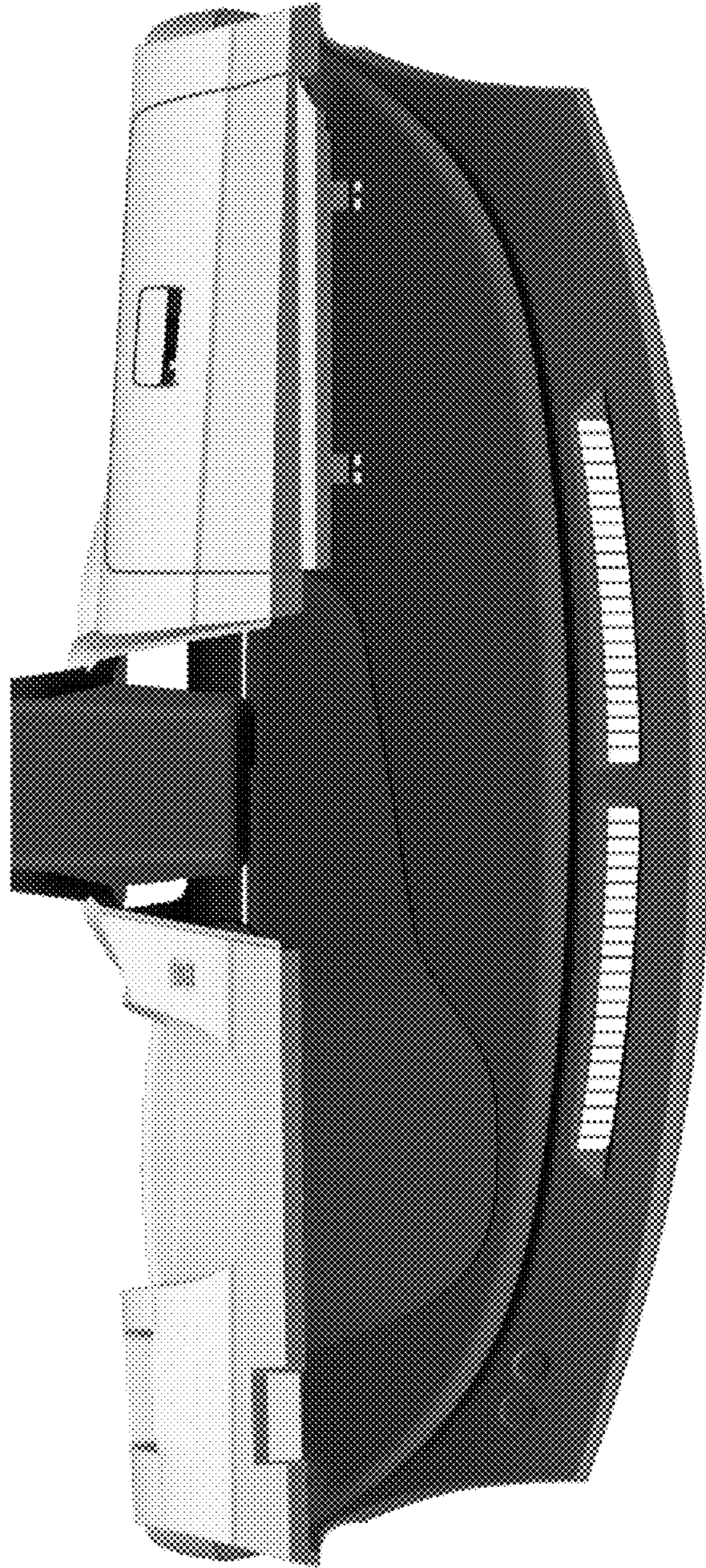


FIG. 3

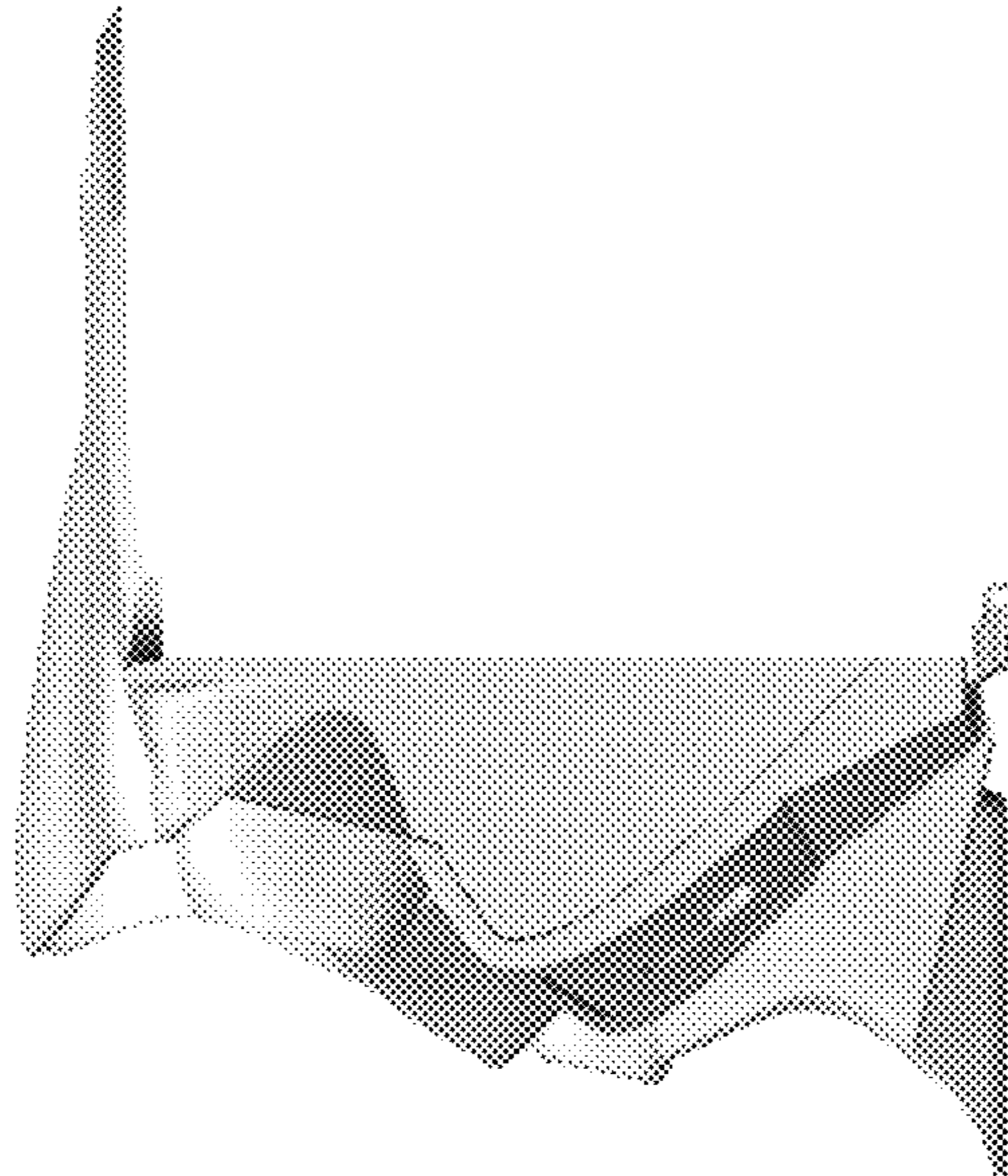


FIG. 4

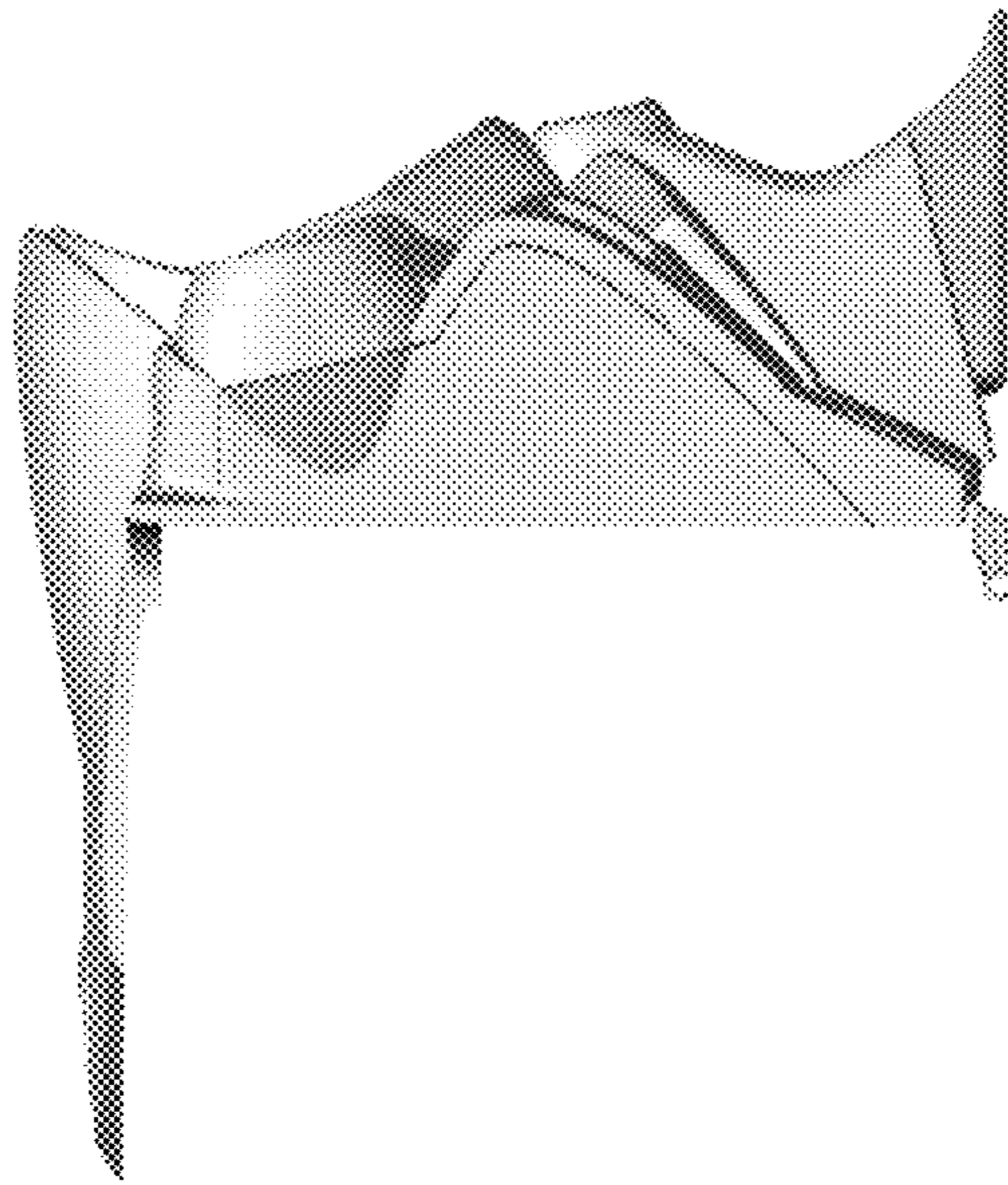


FIG. 5

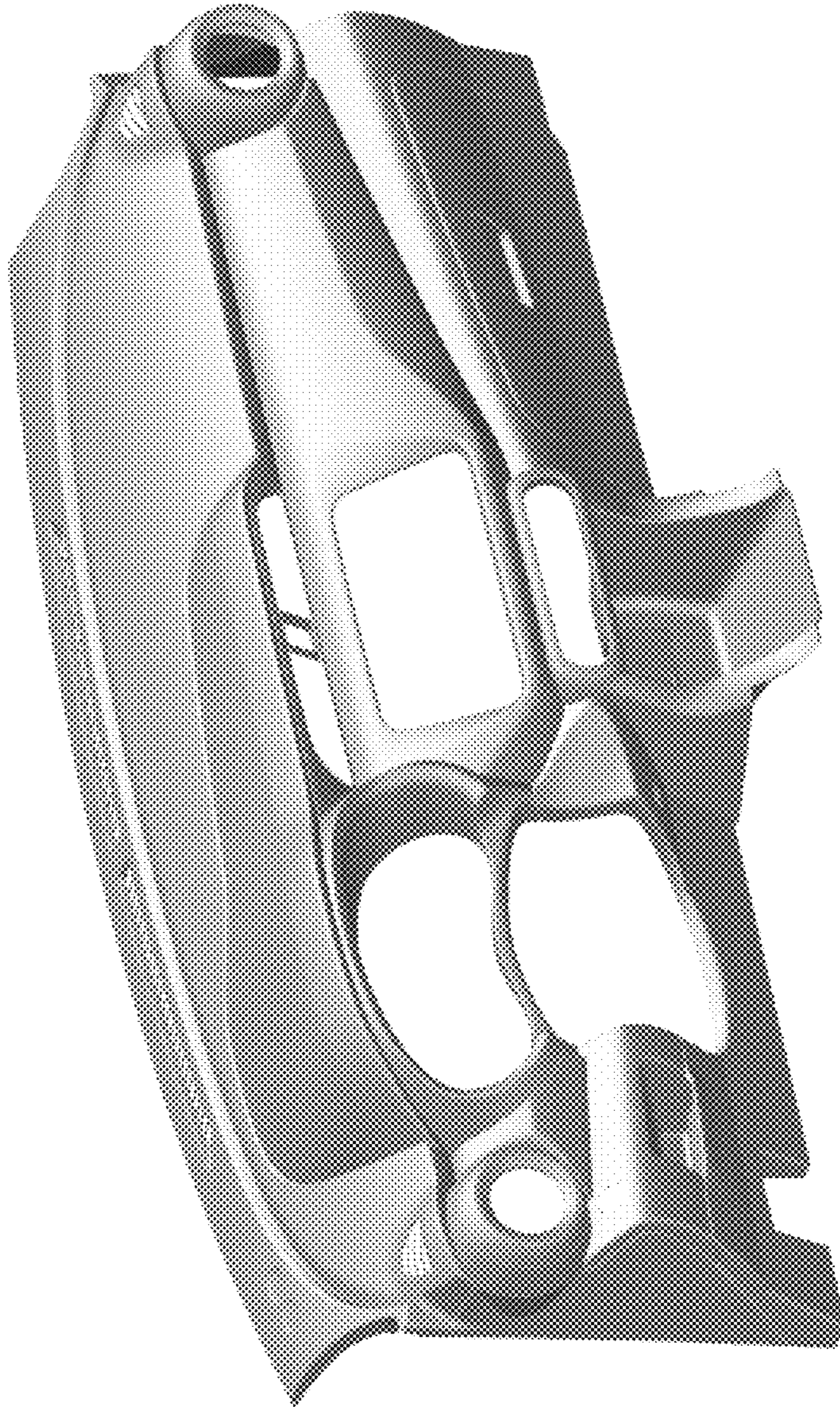


FIG. 6

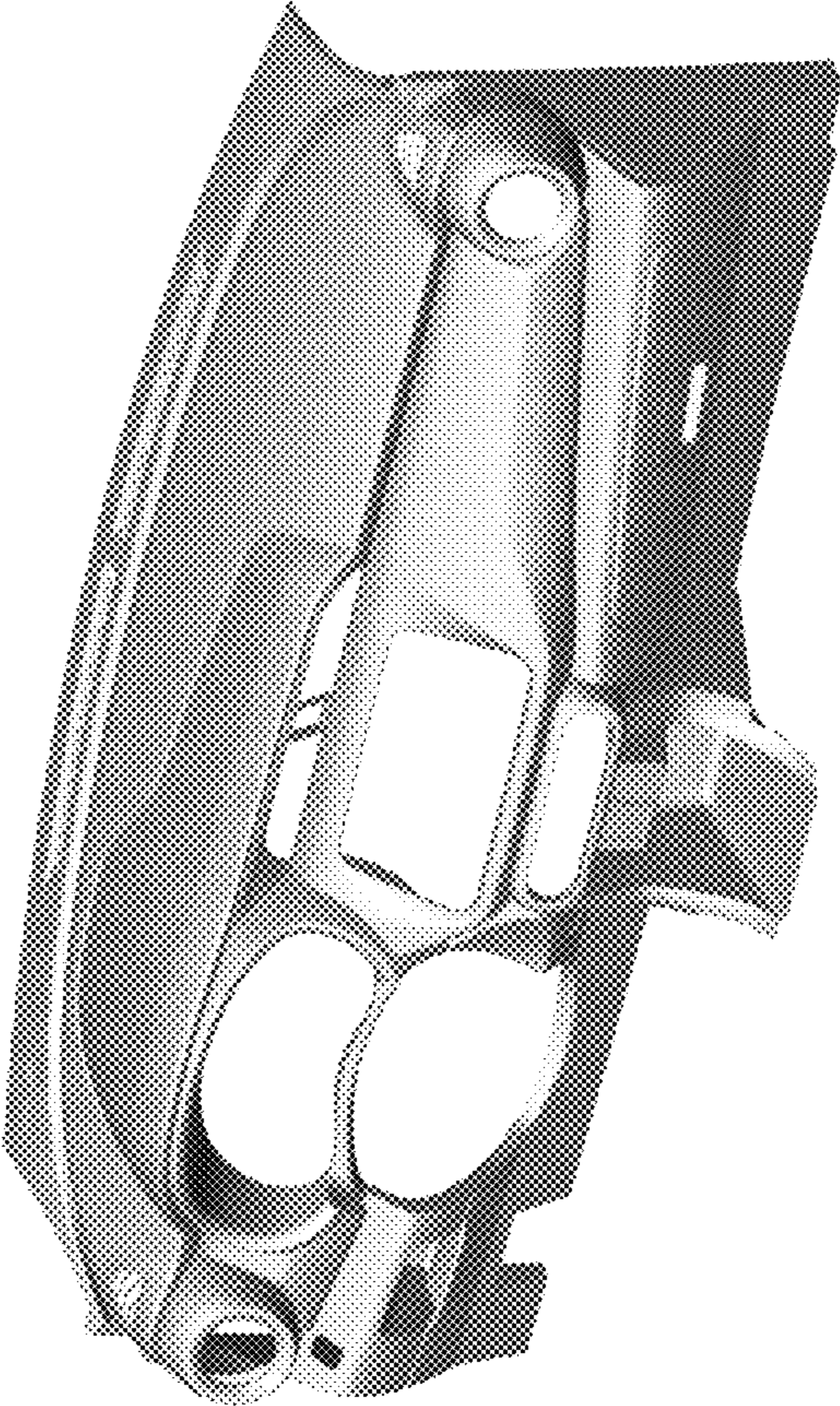


FIG. 7