



US00D791663S

(12) **United States Design Patent**
Gonzalez

(10) **Patent No.:** **US D791,663 S**

(45) **Date of Patent:** **** Jul. 11, 2017**

(54) **TRUCK DASHBOARD**

(71) Applicant: **Reiniel Gonzalez**, Hialeah, FL (US)

(72) Inventor: **Reiniel Gonzalez**, Hialeah, FL (US)

(**) Term: **15 Years**

(21) Appl. No.: **29/568,555**

(22) Filed: **Jun. 20, 2016**

(51) **LOC (10) Cl.** **12-16**

(52) **U.S. Cl.**
USPC **D12/192**

(58) **Field of Classification Search**
USPC D12/192, 415, 110, 114; D15/17, 28;
D10/46, 98, 102-103, 122-127
CPC G08G 1/096883; G01C 21/16; G01C
21/3688; G01C 21/30
See application file for complete search history.

(56) **References Cited**

U.S. PATENT DOCUMENTS

- D762,152 S * 7/2016 Inagaki D12/192
- D763,154 S * 8/2016 Chang D12/192
- D763,155 S * 8/2016 Sahs D12/192

- D770,348 S * 11/2016 Shimizu D12/192
- D770,953 S * 11/2016 Tanaka D12/192
- D771,541 S * 11/2016 Shouno D12/192
- D772,128 S * 11/2016 Platt D12/192
- D776,029 S * 1/2017 Callum D12/192
- D778,796 S * 2/2017 Gommier D12/192
- D778,797 S * 2/2017 Ito D12/192
- D780,649 S * 3/2017 Tanaka D12/192

* cited by examiner

Primary Examiner — Katrina A Betton

(74) *Attorney, Agent, or Firm* — Ruben Alcoba, Esq

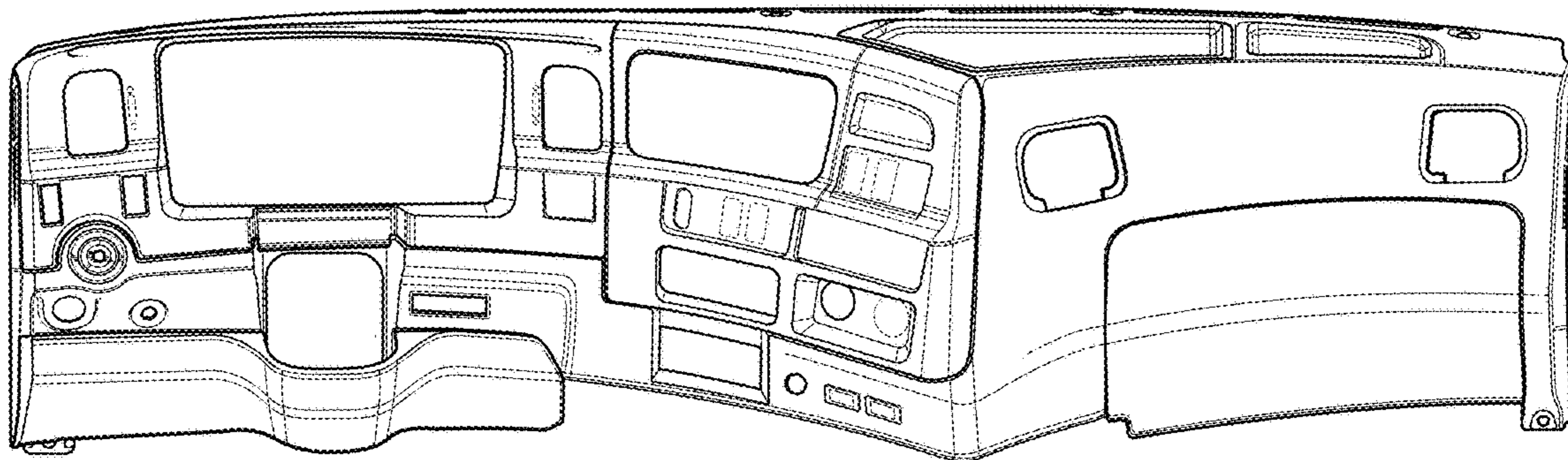
(57) **CLAIM**

The ornamental design for a truck dashboard, as shown and described.

DESCRIPTION

FIG. 1 is a perspective view of a truck dashboard;
FIG. 2 is a front view of the dashboard;
FIG. 3 is a rear view of the dashboard;
FIG. 4 is a left side view of the dashboard;
FIG. 5 is a right side view of the dashboard;
FIG. 6 is a top view of the dashboard;
FIG. 7 is a bottom view of the dashboard; and,
FIG. 8 is a bottom view of the dashboard with the panels of the dashboard off set.

1 Claim, 5 Drawing Sheets



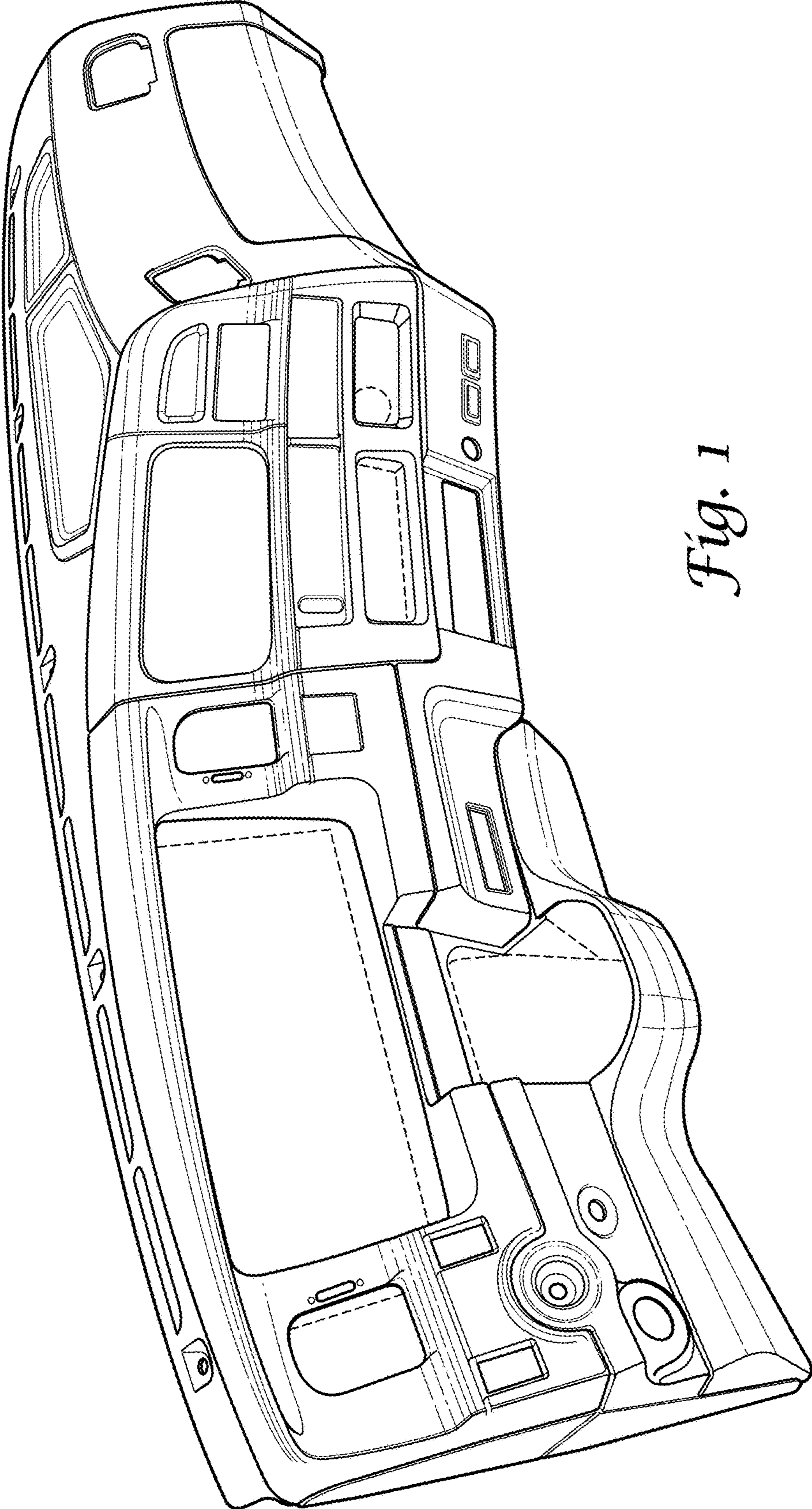


Fig. 1

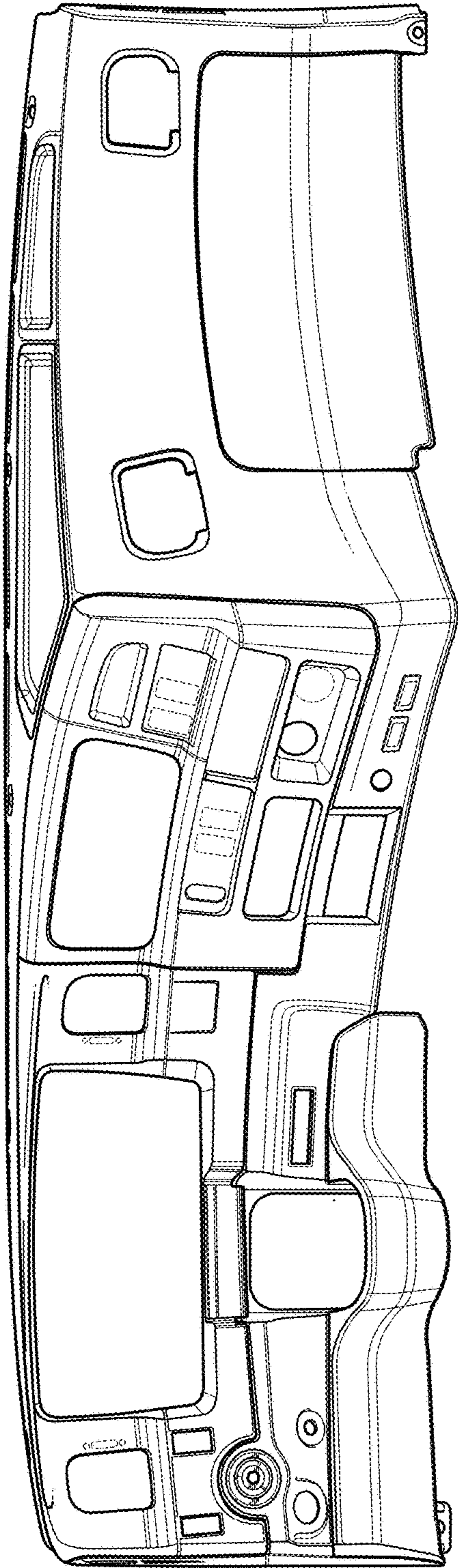


Fig. 2

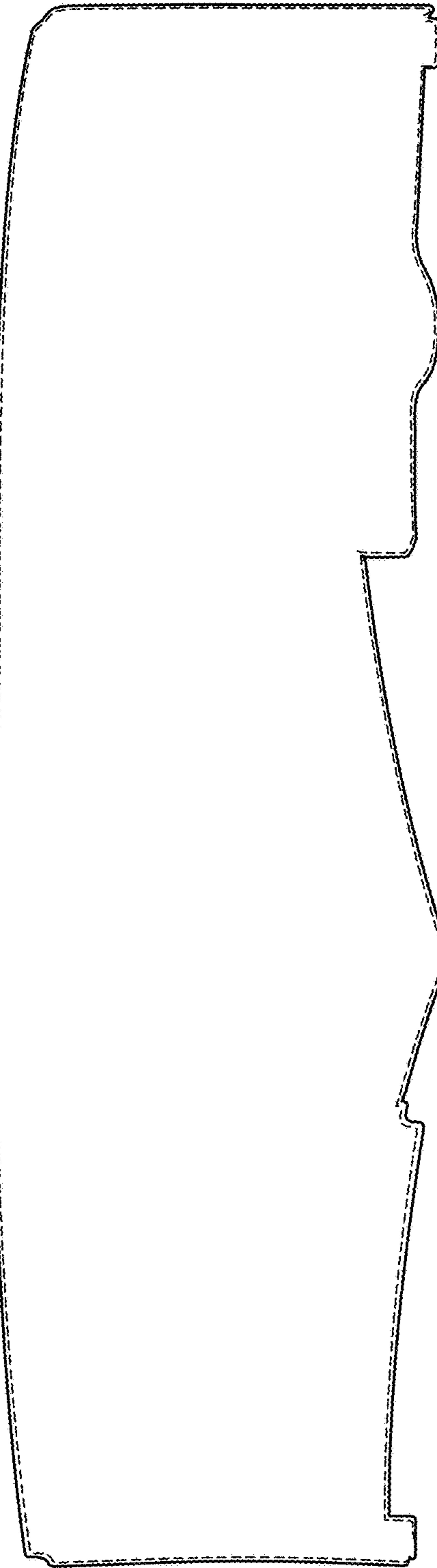


Fig. 3

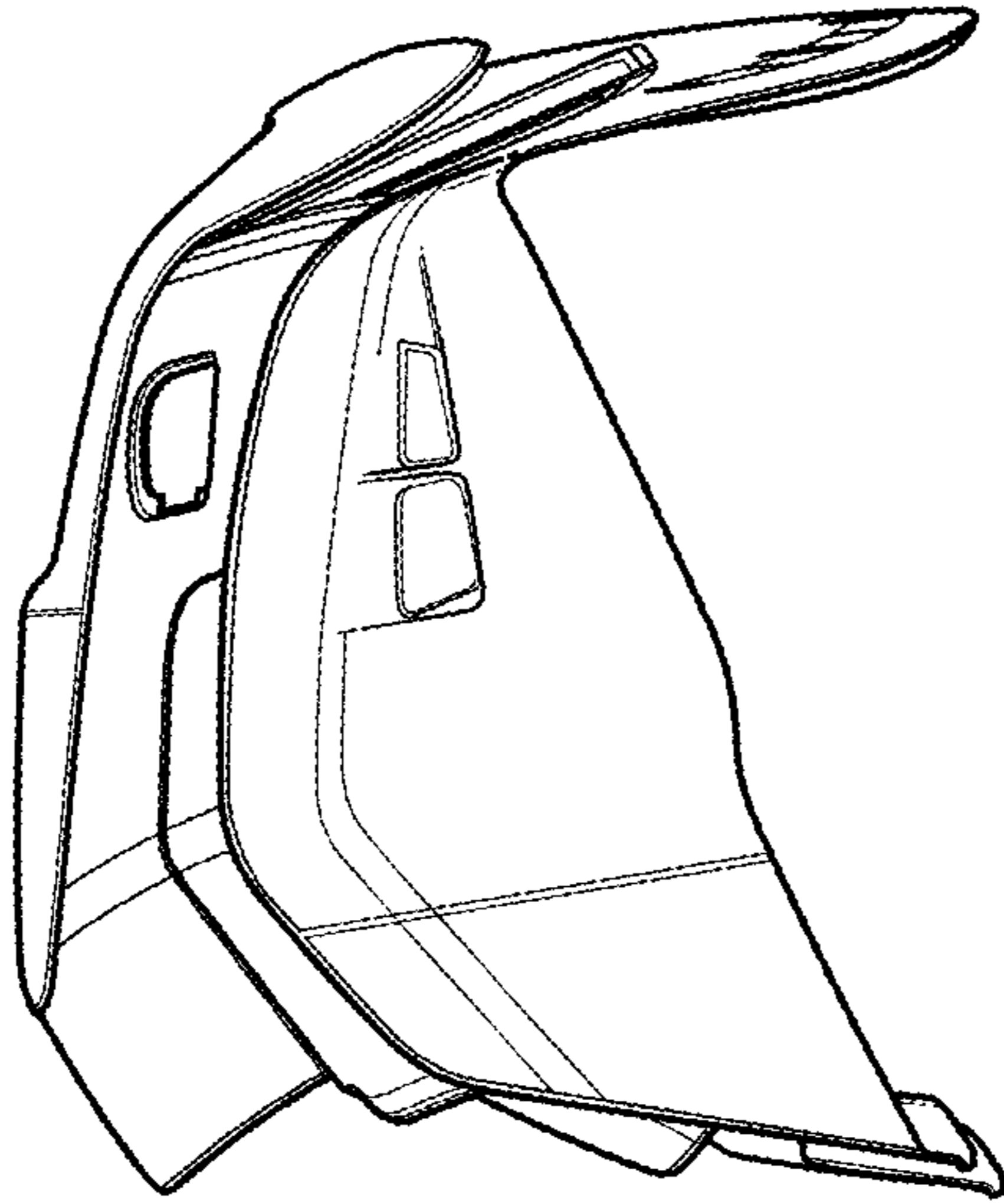


Fig. 5

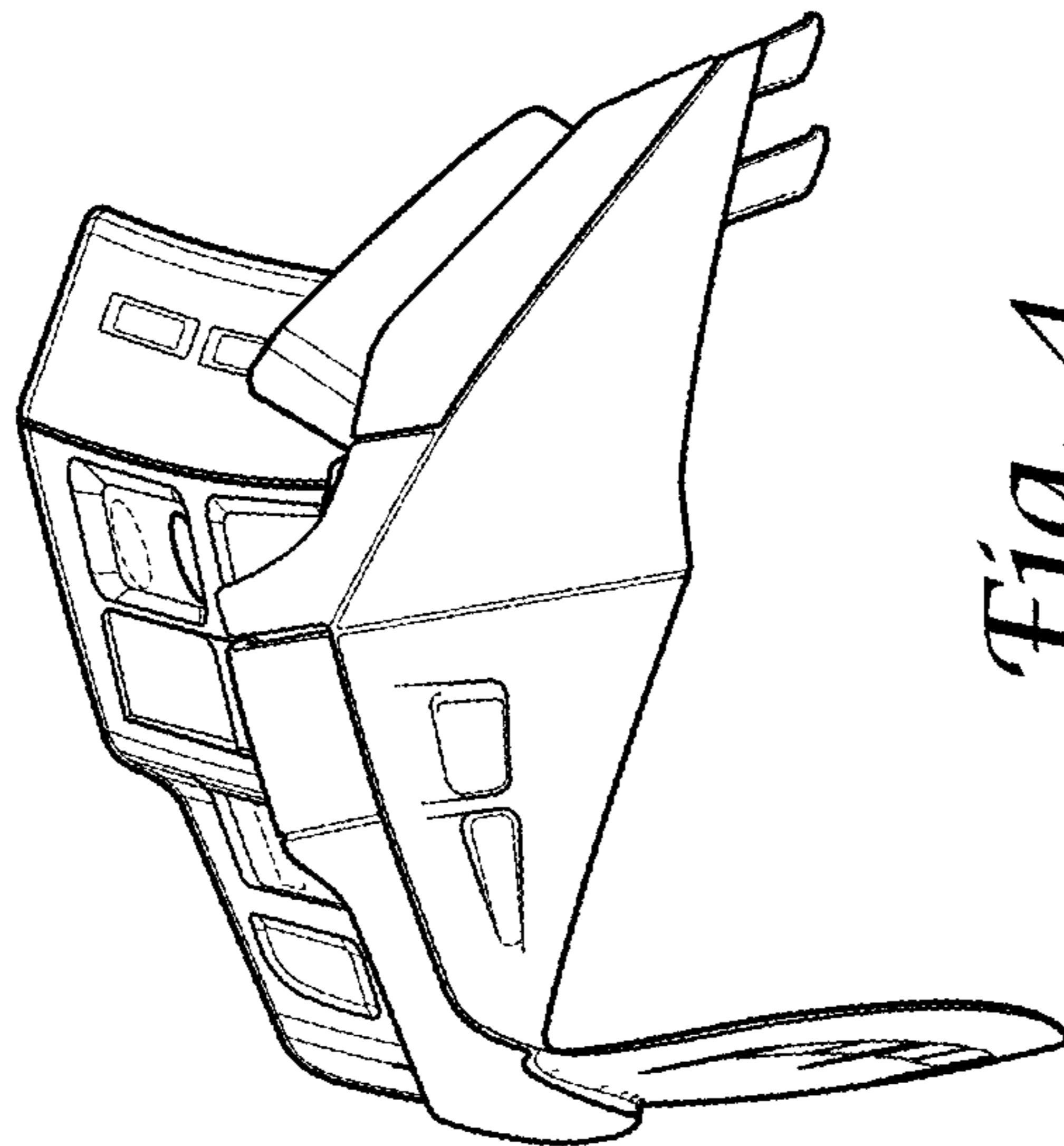


Fig. 4

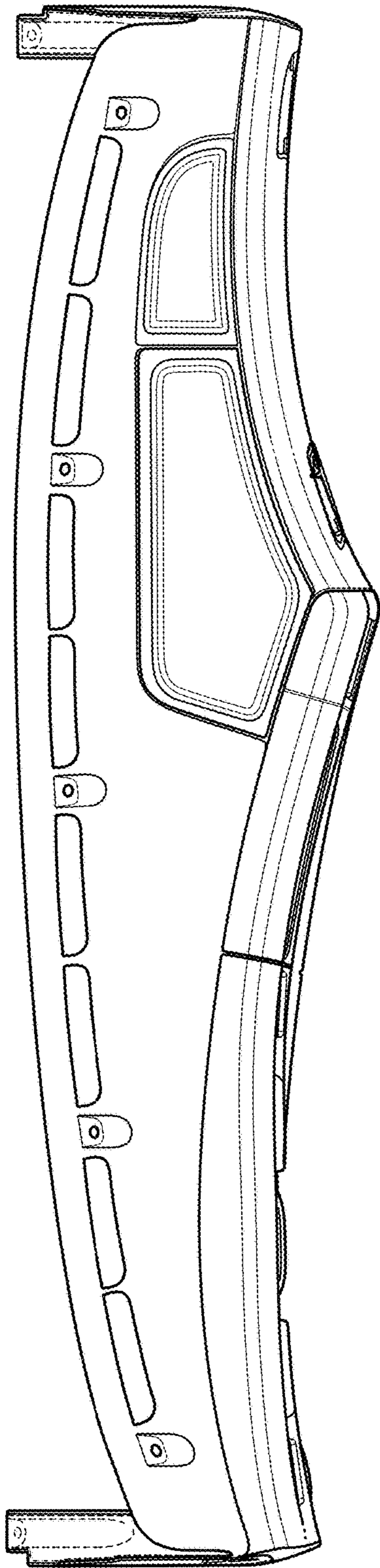


Fig. 6

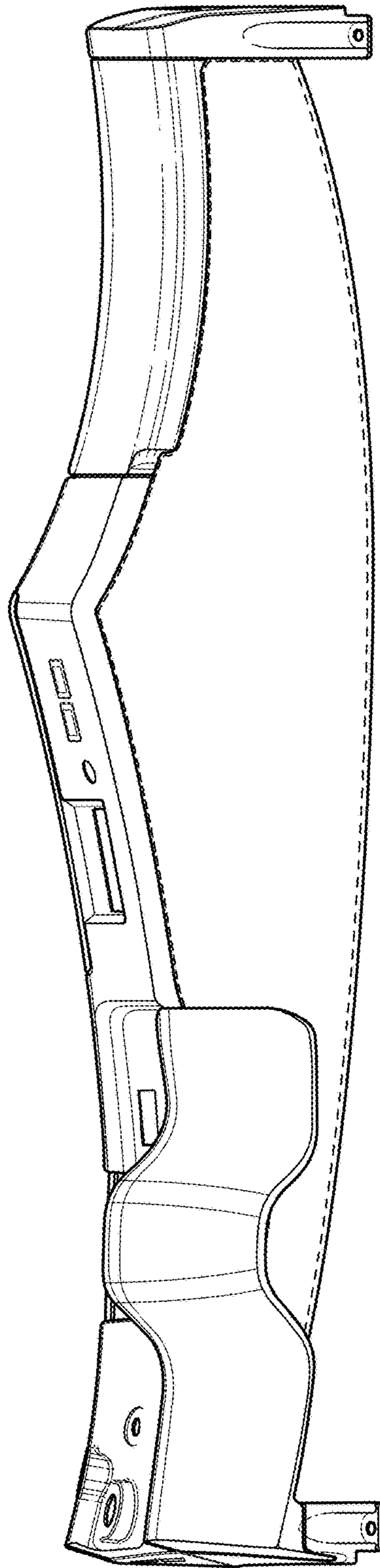


Fig. 7

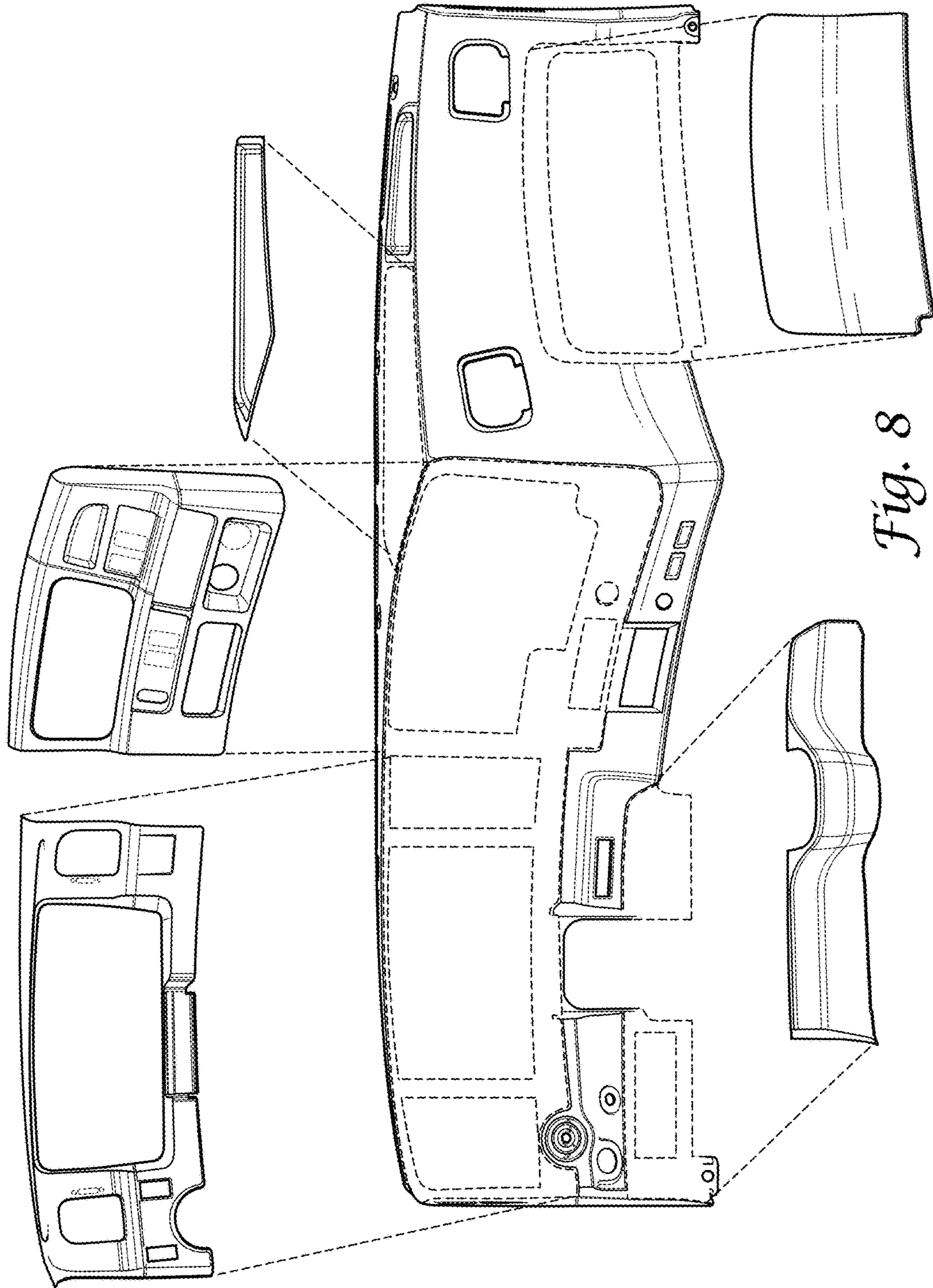


Fig. 8