



US00D791659S

(12) **United States Design Patent**
Ito et al.

(10) **Patent No.:** **US D791,659 S**
(45) **Date of Patent:** **** Jul. 11, 2017**

- (54) **TRUCK MIRROR**
- (71) Applicant: **International Truck Intellectual Property Company, LLC**, Lisle, IL (US)
- (72) Inventors: **Chris Isamu Ito**, Suger Grove, IL (US); **Glen Joel Durmisevich**, Rochester Hills, MI (US); **William D. Miller**, Macomb Township, MI (US); **David James Olsen**, Aurora, IL (US); **James C. Box**, Leesburg, FL (US)
- (73) Assignee: **International Truck Intellectual Property Company, LLC**, Lisle, IL (US)
- (**) Term: **15 Years**
- (21) Appl. No.: **29/566,182**
- (22) Filed: **May 27, 2016**
- (51) **LOC (10) Cl.** **12-16**
- (52) **U.S. Cl.**
USPC **D12/187**
- (58) **Field of Classification Search**
USPC D12/187, 188-189; D6/300, 309
CPC B60R 1/076; G02B 7/182; G02B 5/08; G02B 7/18
See application file for complete search history.

D696,170 S	12/2013	Ito et al.	
D699,653 S *	2/2014	Markstaller	D12/187
D702,608 S *	4/2014	Hall	D12/187
D725,015 S *	3/2015	Kovach	D12/187
D731,374 S *	6/2015	Roberts	D12/187
D731,375 S *	6/2015	Roberts	D12/187
D748,024 S *	1/2016	Roberts	D12/187
D748,546 S *	2/2016	Whitehead	D12/187
D763,150 S *	8/2016	Kratzer	D12/187
D778,220 S *	2/2017	Peterson	D12/187

* cited by examiner

Primary Examiner — Katrina A Betton

(74) *Attorney, Agent, or Firm* — Jeffrey P. Calfa; Mark C. Bach

(57) **CLAIM**

The ornamental design for a truck mirror, as shown and described.

DESCRIPTION

FIG. 1 is a perspective view of the truck mirror showing my/our new design;
FIG. 2 is a top plan view of the truck mirror of FIG. 1;
FIG. 3 is a bottom view of the truck mirror of FIG. 1;
FIG. 4 is a front view of the truck mirror of FIG. 1;
FIG. 5 is a rear view of the truck mirror of FIG. 1;
FIG. 6 is a left side view of the truck mirror of FIG. 1; and,
FIG. 7 is a right side view of the truck mirror of FIG. 1.

1 Claim, 3 Drawing Sheets

(56) **References Cited**

U.S. PATENT DOCUMENTS

- D462,305 S 9/2002 Abalos et al.
- D690,635 S * 10/2013 Hovind D12/187

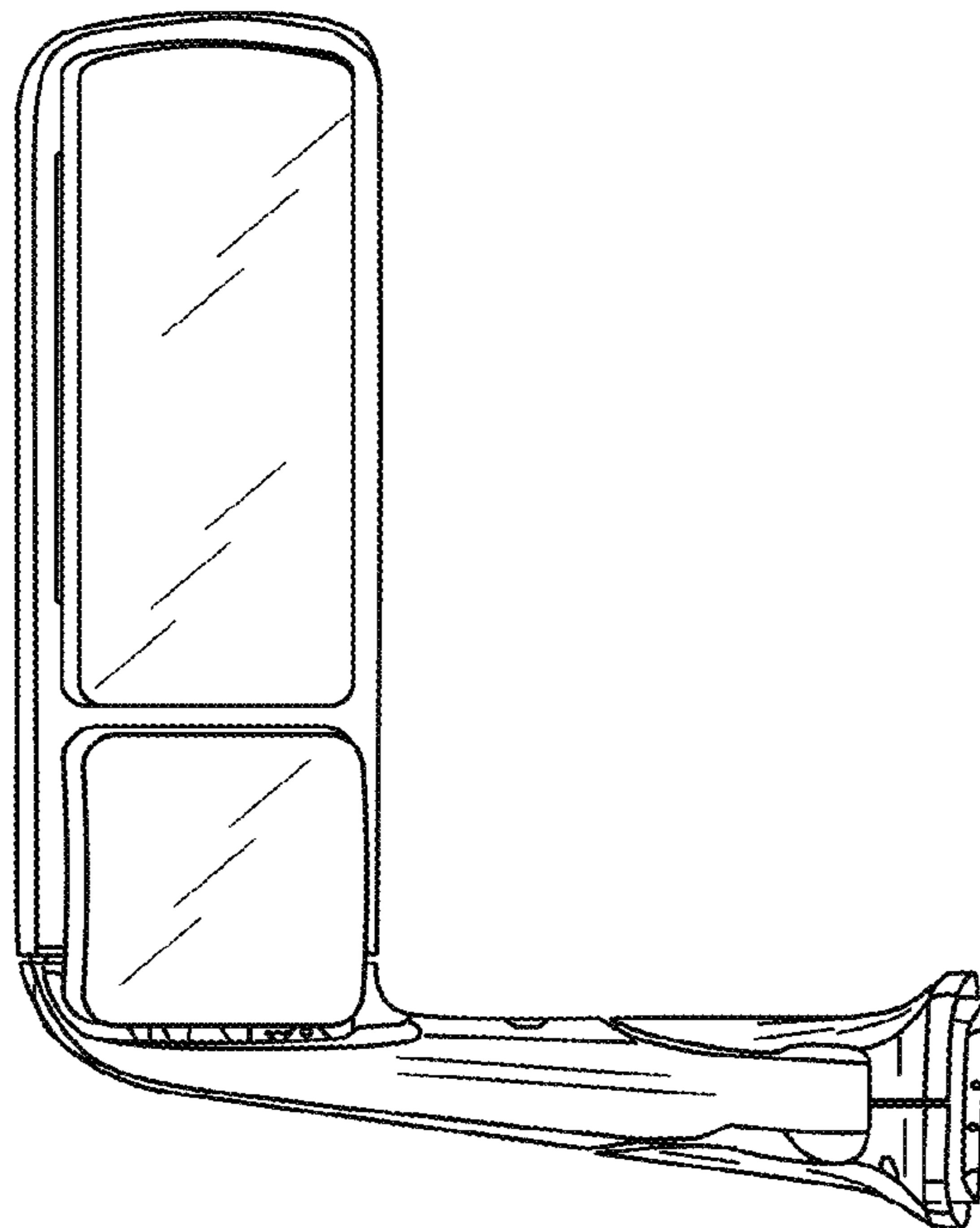


FIG. 1

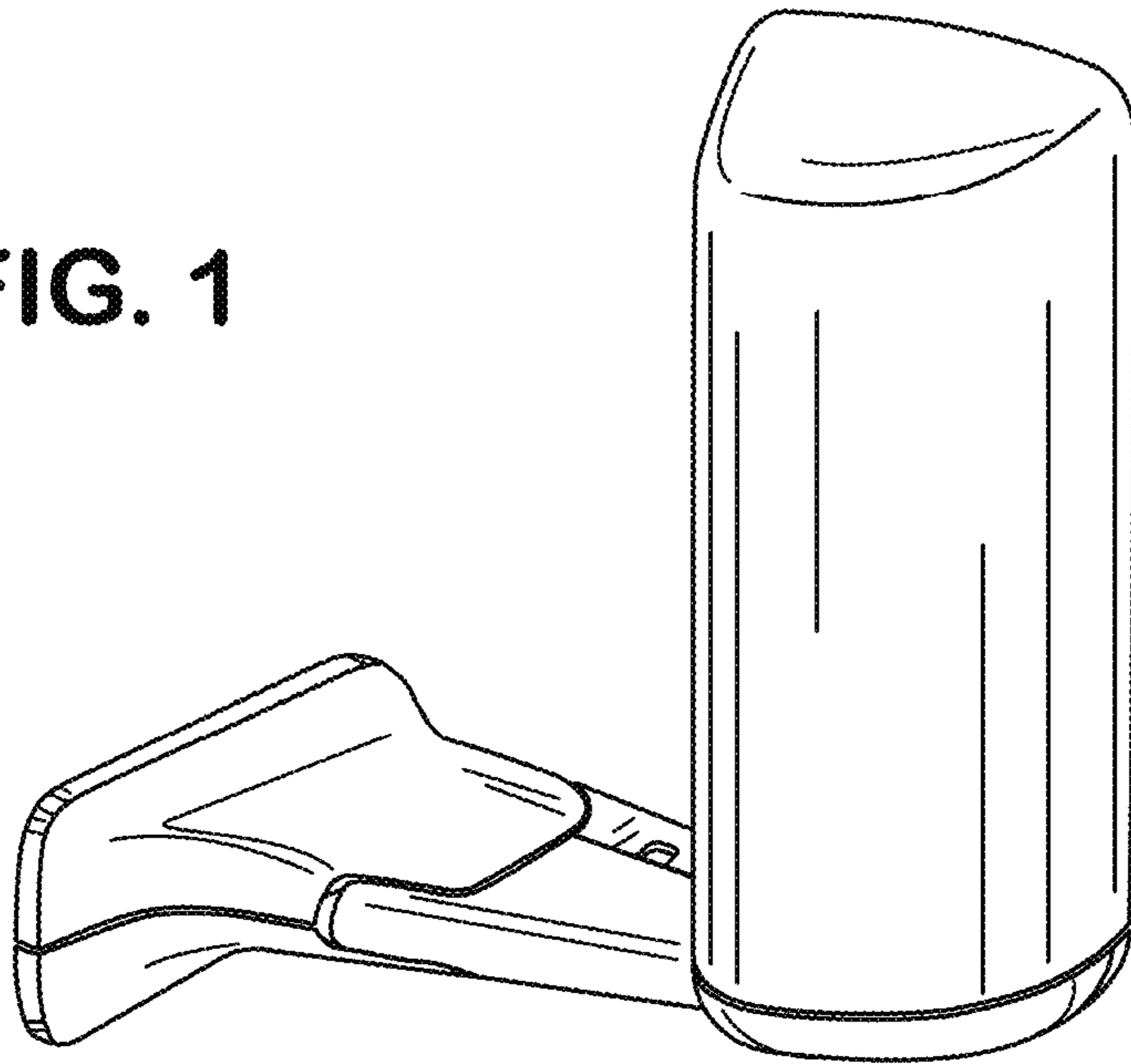


FIG. 2

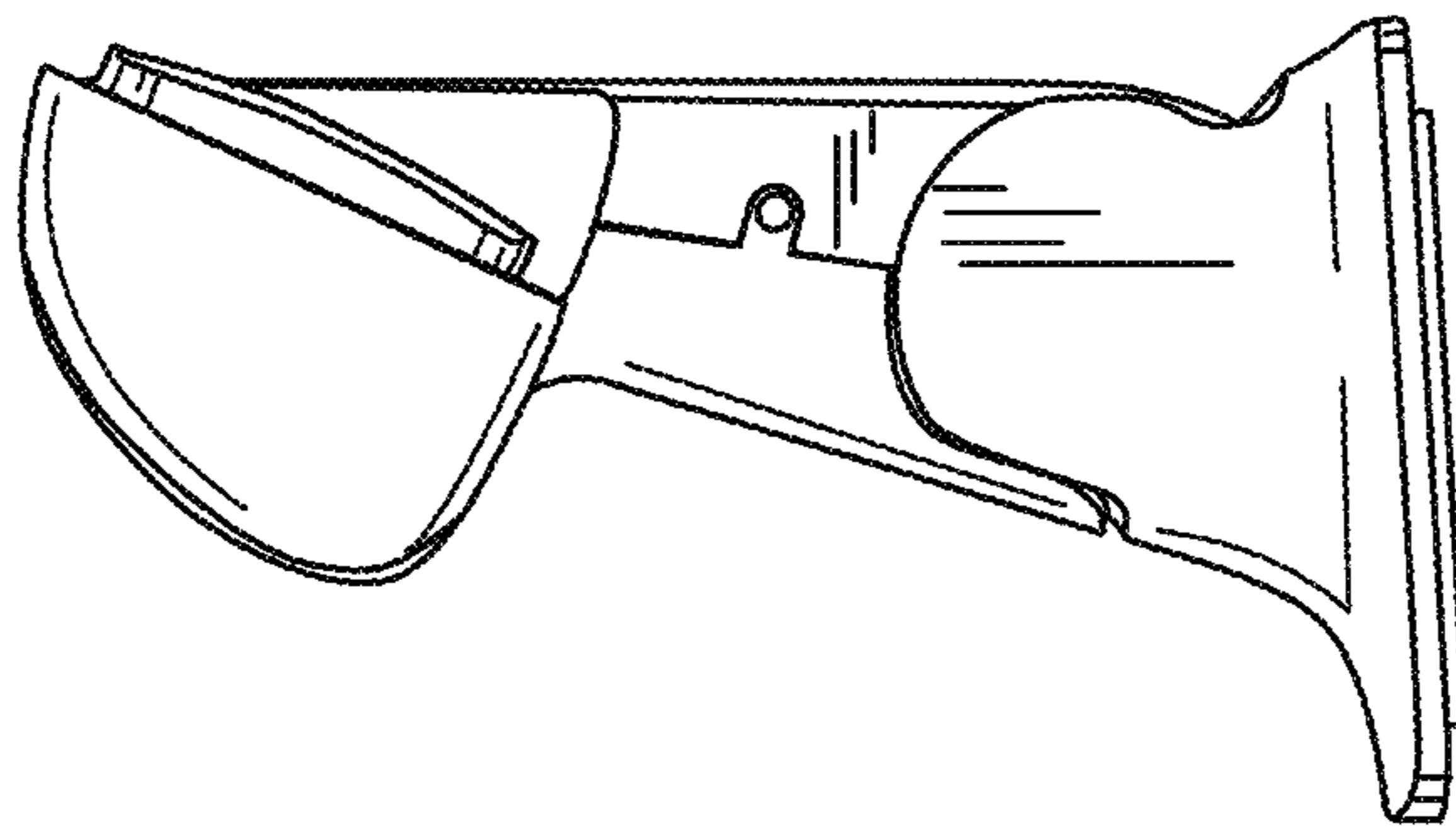


FIG. 3

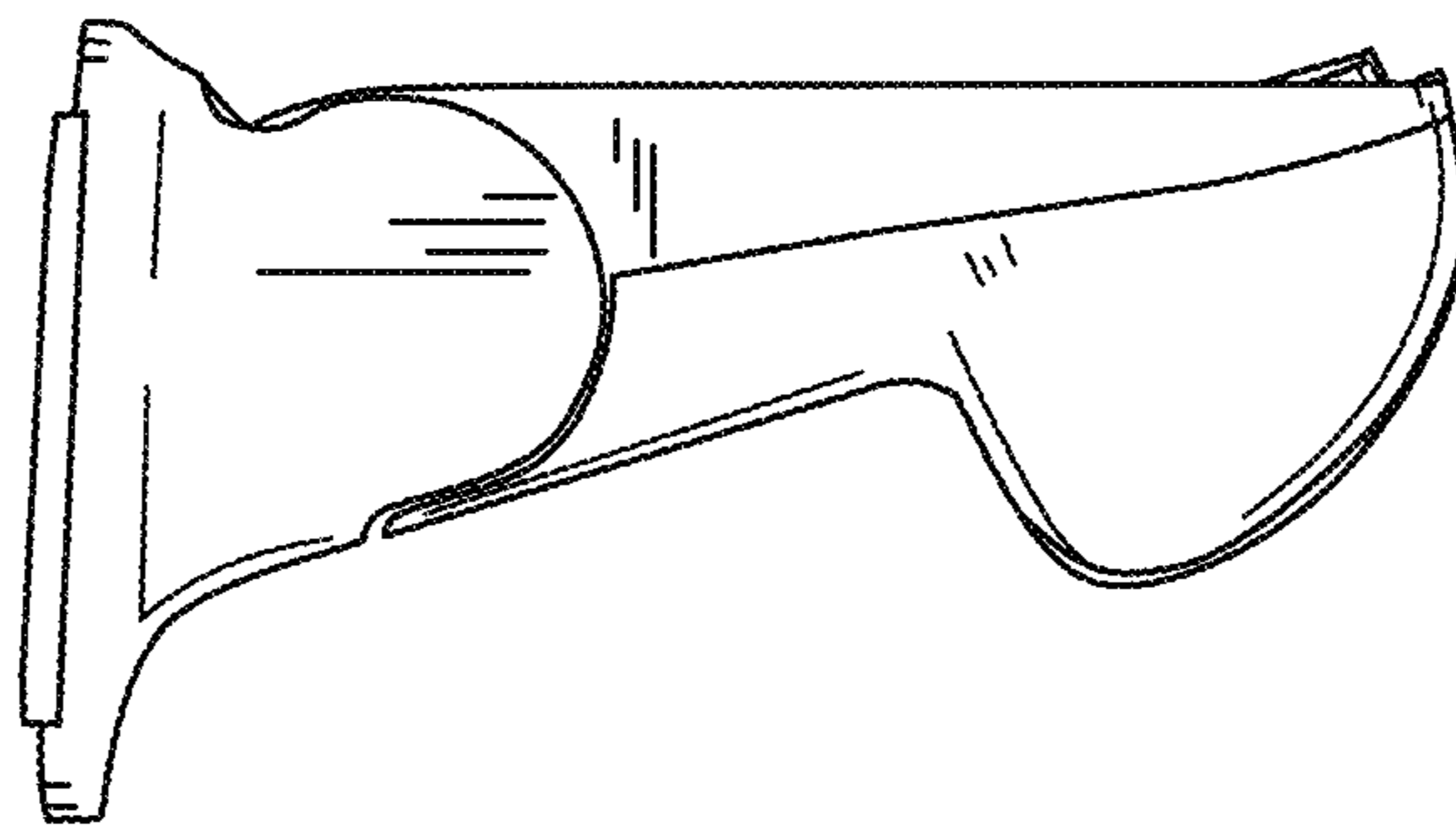


FIG. 4

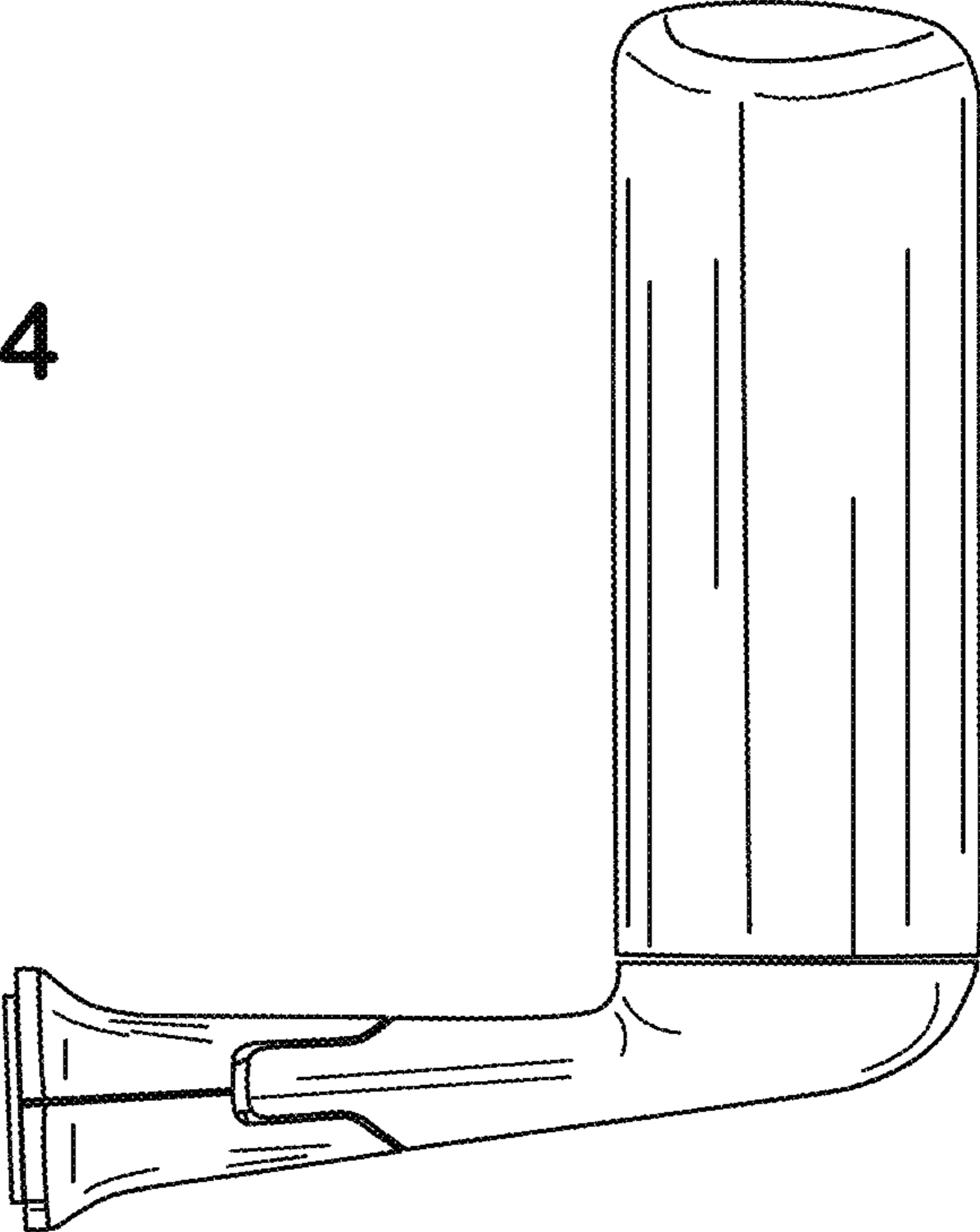
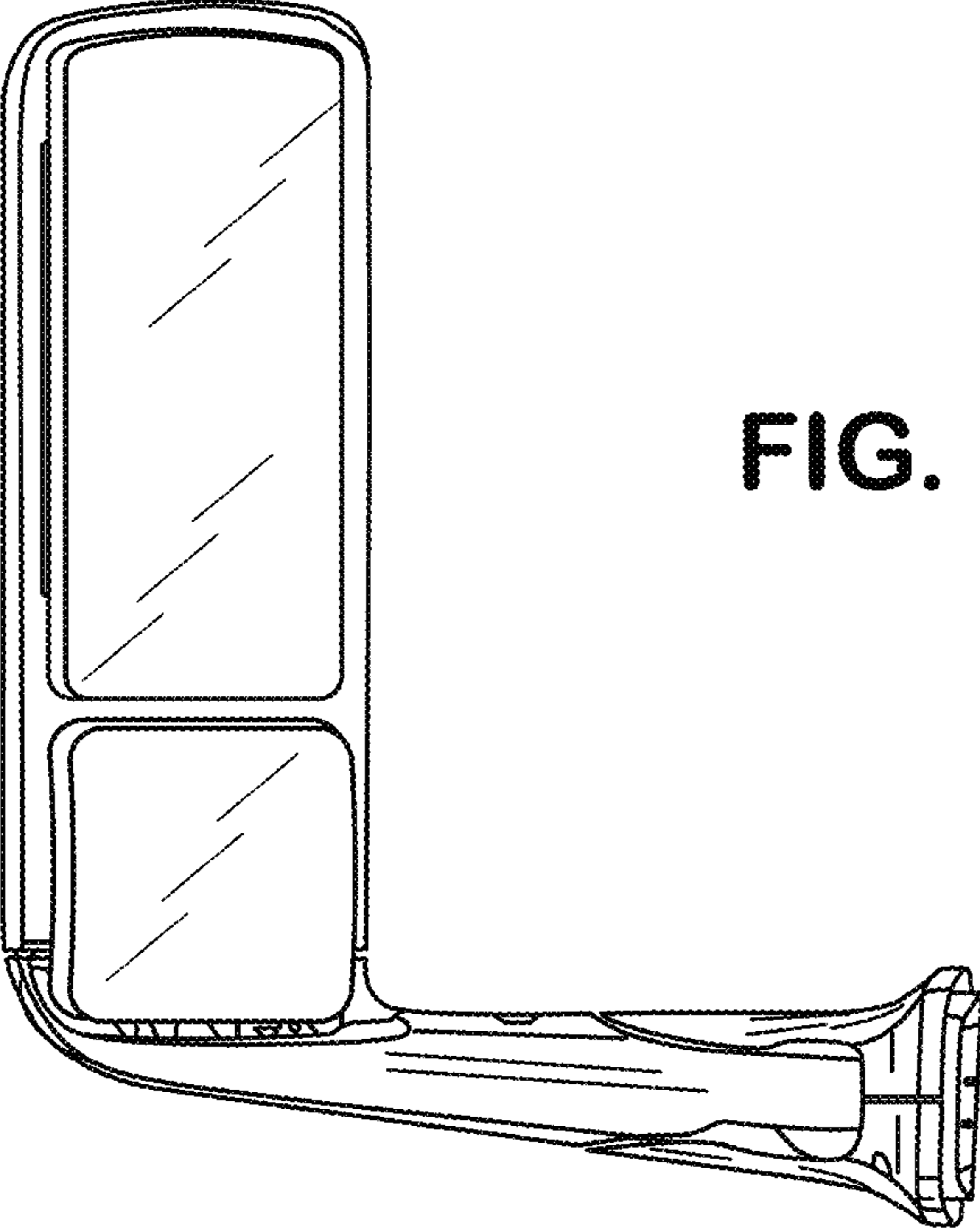


FIG. 5



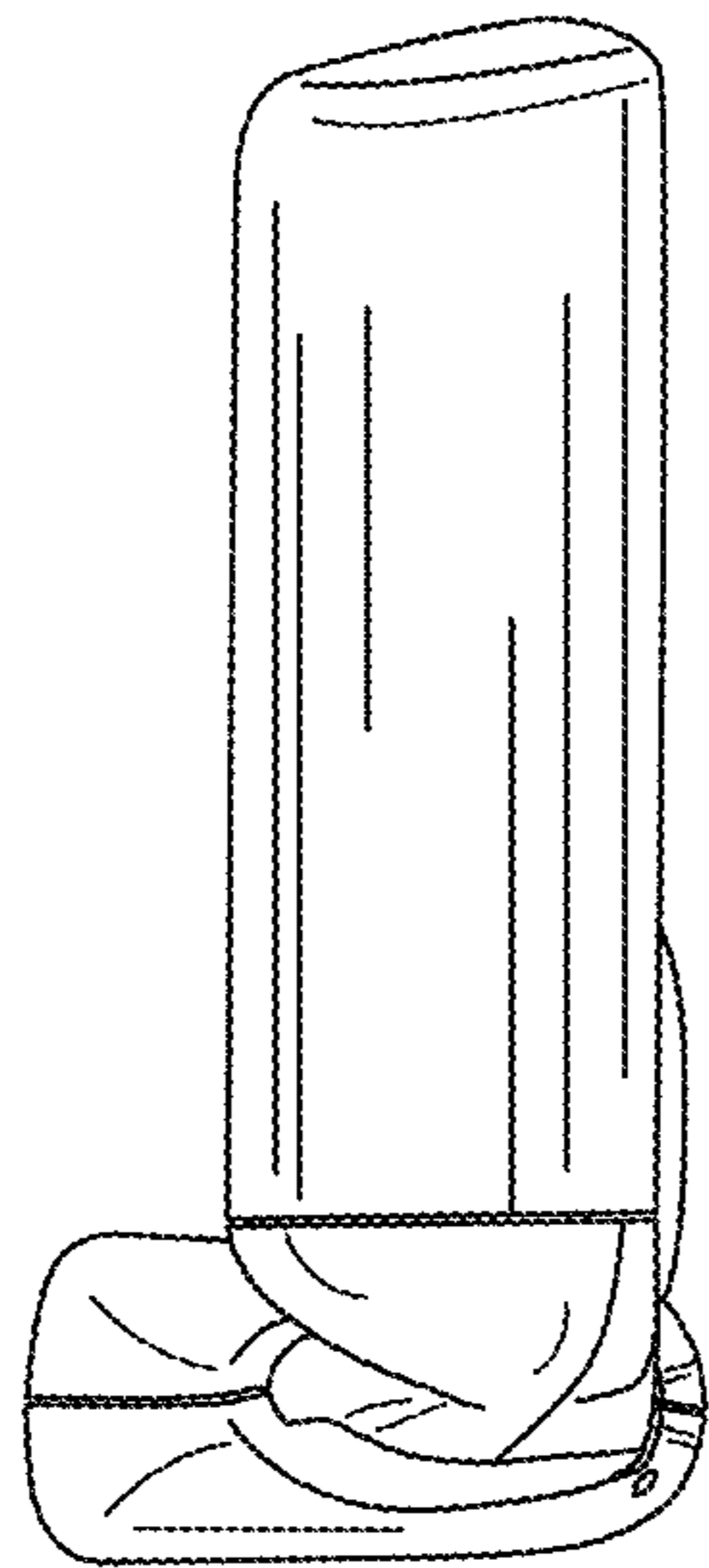


FIG. 6

FIG. 7

