



US00D791657S

(12) **United States Design Patent** (10) **Patent No.:** **US D791,657 S**
Ito et al. (45) **Date of Patent:** **** Jul. 11, 2017**

- (54) **FENDER OF A TRUCK VEHICLE**
- (71) Applicant: **International Truck Intellectual Property Company, LLC**, Lisle, IL (US)
- (72) Inventors: **Chris Ito**, Suger Grove, IL (US); **Glen Joel Durmisevich**, Rochester Hills, MI (US); **Christian Michael Hardin**, Waterford, MI (US)
- (73) Assignee: **Navistar Canada, Inc.** (CA)
- (**) Term: **15 Years**
- (21) Appl. No.: **29/543,970**
- (22) Filed: **Oct. 29, 2015**
- (51) **LOC (10) Cl.** **12-16**
- (52) **U.S. Cl.**
USPC **D12/184**
- (58) **Field of Classification Search**
USPC D12/86, 90, 91, 92, 93, 400, 163, 164, 12/167, 181, 184, 196, 202
CPC B62D 25/02; B62D 25/16; B62D 25/18
See application file for complete search history.

(56) **References Cited**

U.S. PATENT DOCUMENTS

D253,764 S *	12/1979	Lockwood	D12/185
D284,575 S *	7/1986	Latas	D12/184
D303,237 S *	9/1989	Hawes	D12/185
D343,159 S *	1/1994	Hunter	D12/181
D366,640 S *	1/1996	Tucker	D12/184
D374,418 S *	10/1996	Griffin	D12/181
D375,925 S *	11/1996	Griffin	D12/181
D382,844 S *	8/1997	Norwood	D12/184
D424,489 S *	5/2000	Damon	D12/181
D443,853 S *	6/2001	Barraclough	D12/196
D447,989 S *	9/2001	Price	D12/184
D453,490 S *	2/2002	Conway	D12/185
D455,688 S *	4/2002	Conway	D12/185
D482,993 S *	12/2003	Conway	D12/184
D502,904 S *	3/2005	Delashaw	D12/184

D524,204 S	7/2006	Beigel	
D540,727 S *	4/2007	Elliott D12/196
D545,255 S *	6/2007	Angelo D12/173
D546,253 S	7/2007	Lee et al.	
D563,853 S *	3/2008	Rosen D12/173
D566,635 S *	4/2008	Rosen D12/173
D612,308 S	3/2010	Beigel et al.	

(Continued)

OTHER PUBLICATIONS

Truck Fender by Chevy, ebay [online], published Dec. 11, 2015, [retrieved on Sep. 8, 2016]. Retrieved from the Internet <URL: <http://www.ebay.com/itm/67-72-Chevy-GMC-C-K-Pick-Up-Pickup-Truck-Front-Inner-Fender-Well-Skirt-Liner-PR-/391052155926?fits=Make%3AChevrolet%7CModel%3AC20+Pickup&hash=item5b0c865c16:g:88kAAOSweW5U2mcO&vxp=mtr>>.*

Primary Examiner — Sheryl Lane

Assistant Examiner — A. Suzette Murphy

(74) Attorney, Agent, or Firm — Jeffrey P. Calfa; Marc C. Bach

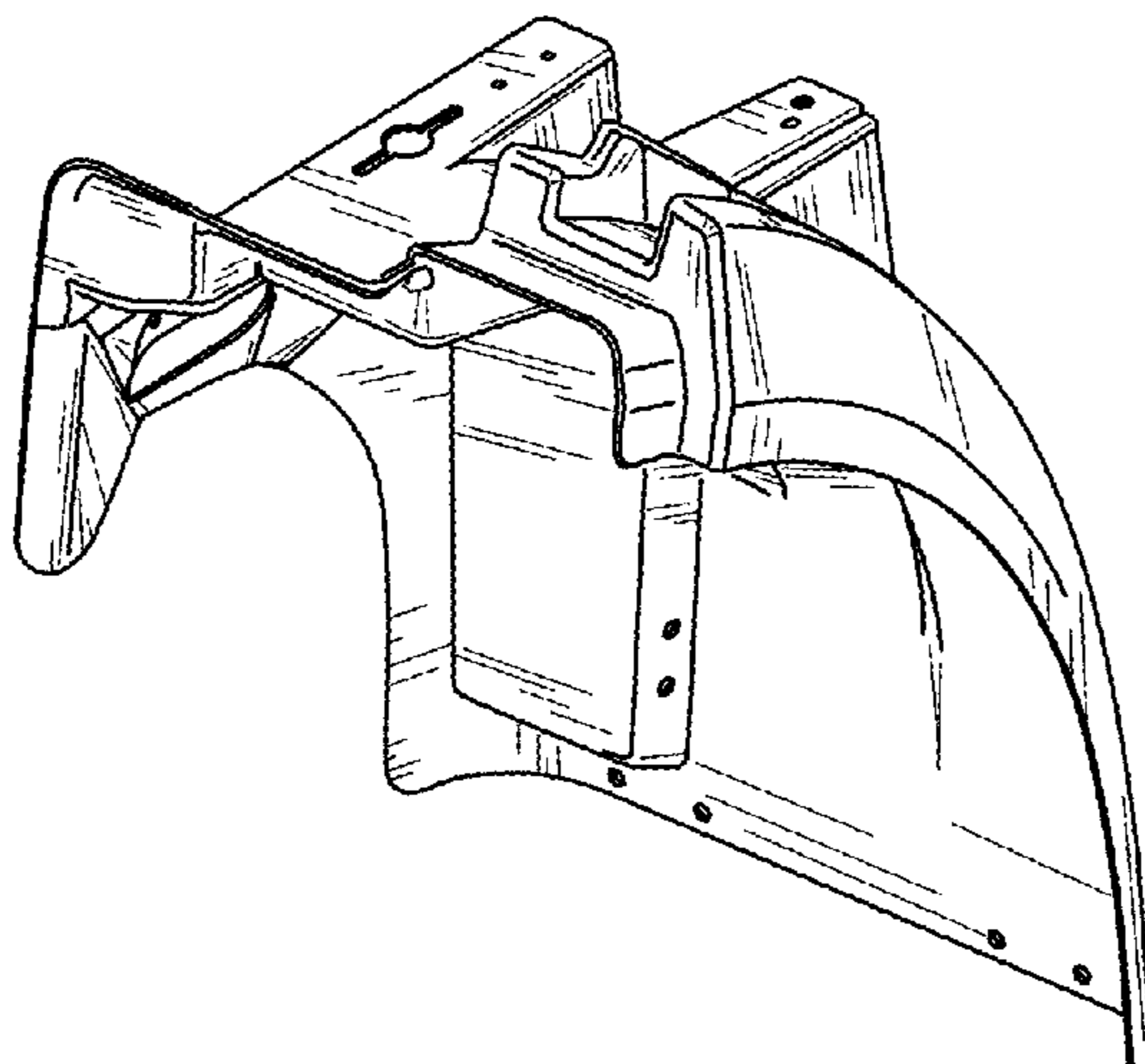
(57) **CLAIM**

The ornamental design for a fender of a truck vehicle, as shown and described.

DESCRIPTION

FIG. 1 is an isometric view of a first embodiment of a fender of a truck vehicle showing our new design; FIG. 2 is a left side view of FIG. 1; FIG. 3 is a right side view of FIG. 1; FIG. 4 is a top plan view of FIG. 1; FIG. 5 is a back view of FIG. 1; FIG. 6 is a front view of FIG. 1; FIG. 7 is an isometric view of a second embodiment of a fender of a truck vehicle showing our new design; FIG. 8 is a left side view of FIG. 7; FIG. 9 is a right side view of FIG. 7; FIG. 10 is a top plan view of FIG. 7; FIG. 11 is a back view of FIG. 7; and, FIG. 12 is a front view of FIG. 7.

1 Claim, 4 Drawing Sheets



(56)

References Cited

U.S. PATENT DOCUMENTS

D612,309 S	3/2010	Beigel et al.	
D615,472 S	5/2010	Maher et al.	
D621,756 S *	8/2010	Angelo	D12/184
D641,298 S	7/2011	Beigel et al.	
D643,352 S *	8/2011	Hjorten	D12/181
D644,581 S	9/2011	Beigel et al.	
D644,972 S	9/2011	Beigel et al.	
D646,613 S *	10/2011	Medina	D12/196
D654,417 S *	2/2012	Peltola	D12/196
D660,207 S *	5/2012	Hanson	D12/184
D695,171 S	12/2013	Riggs et al.	

* cited by examiner

FIG. 1

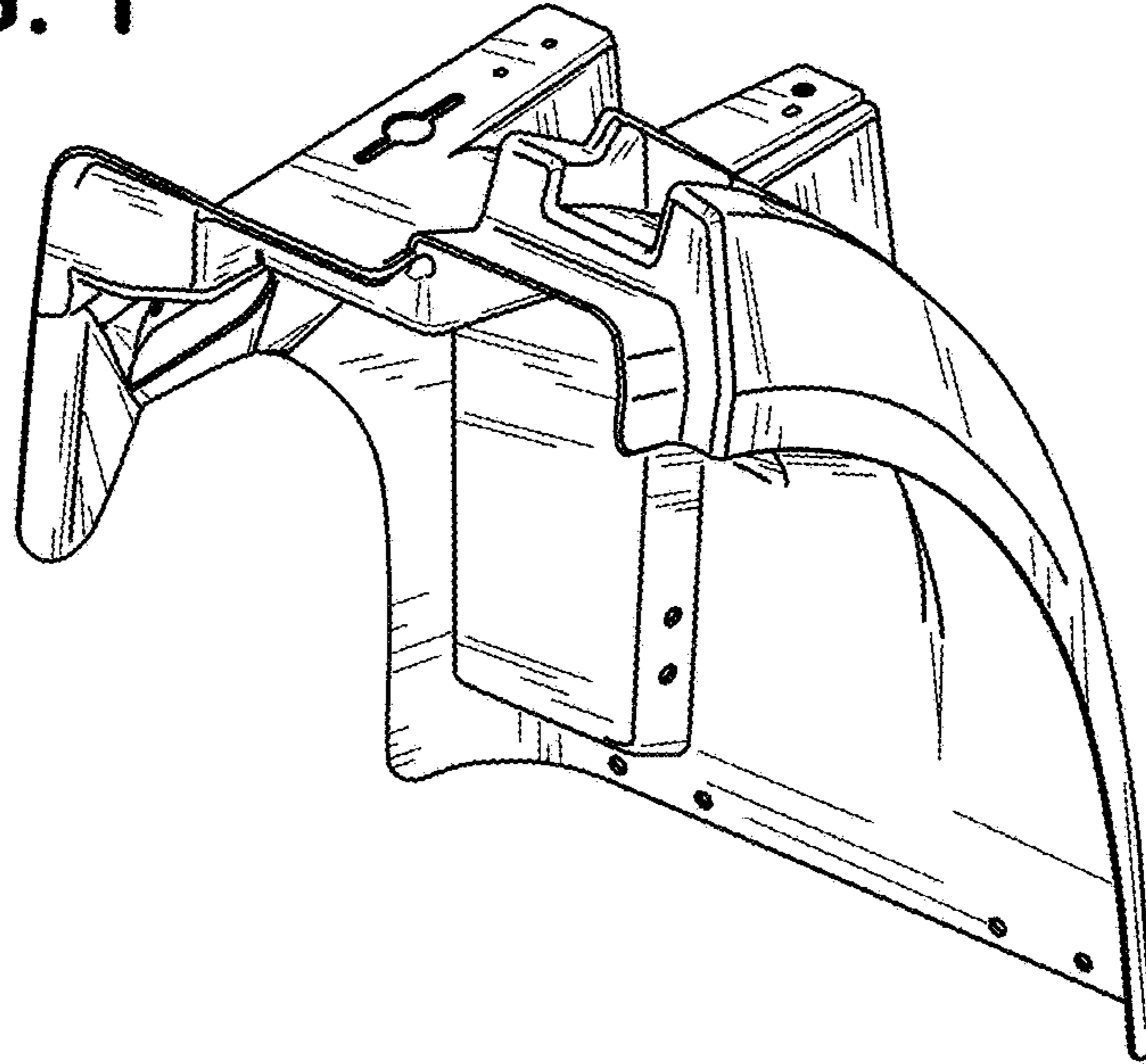


FIG. 2

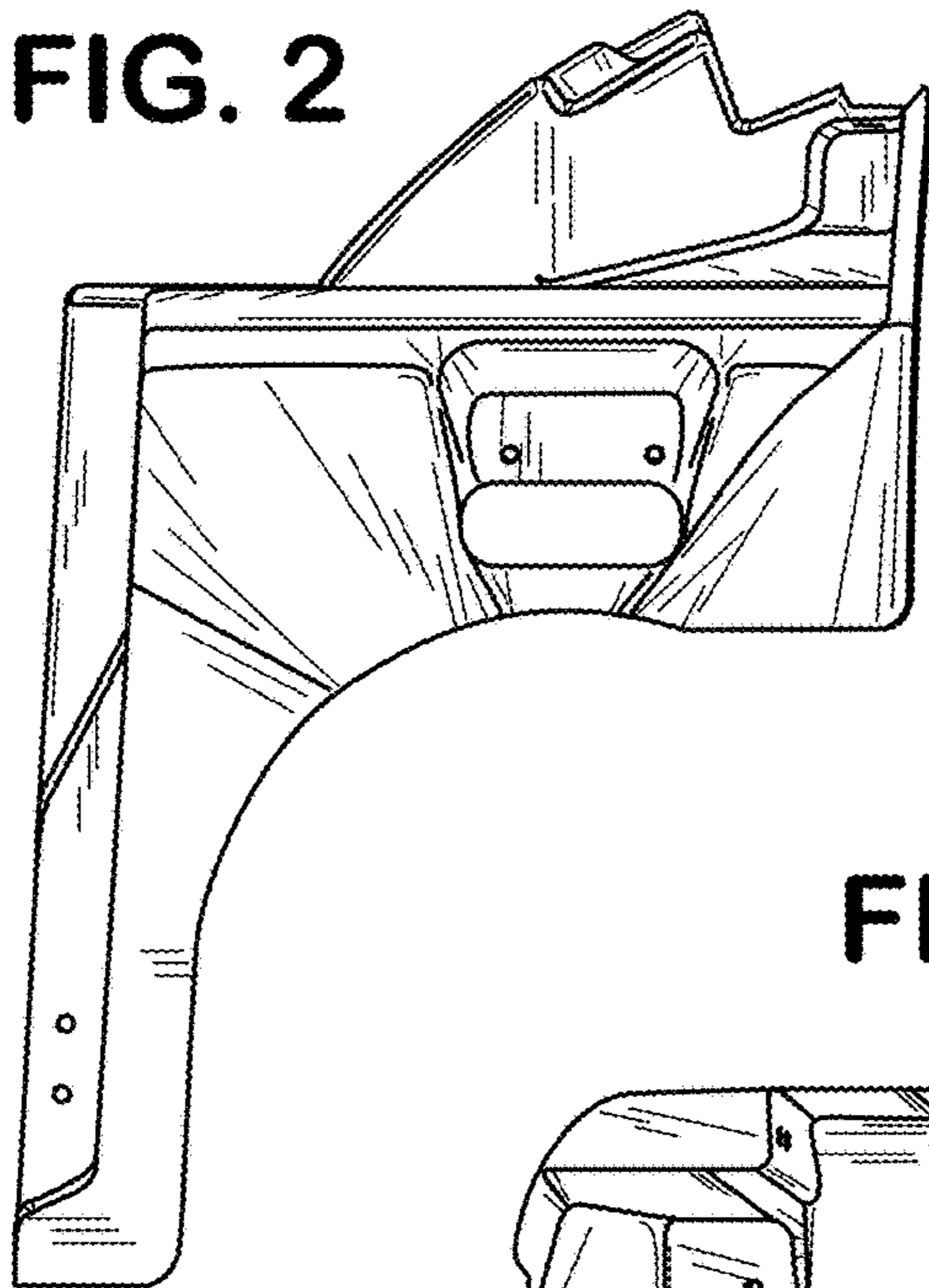


FIG. 3

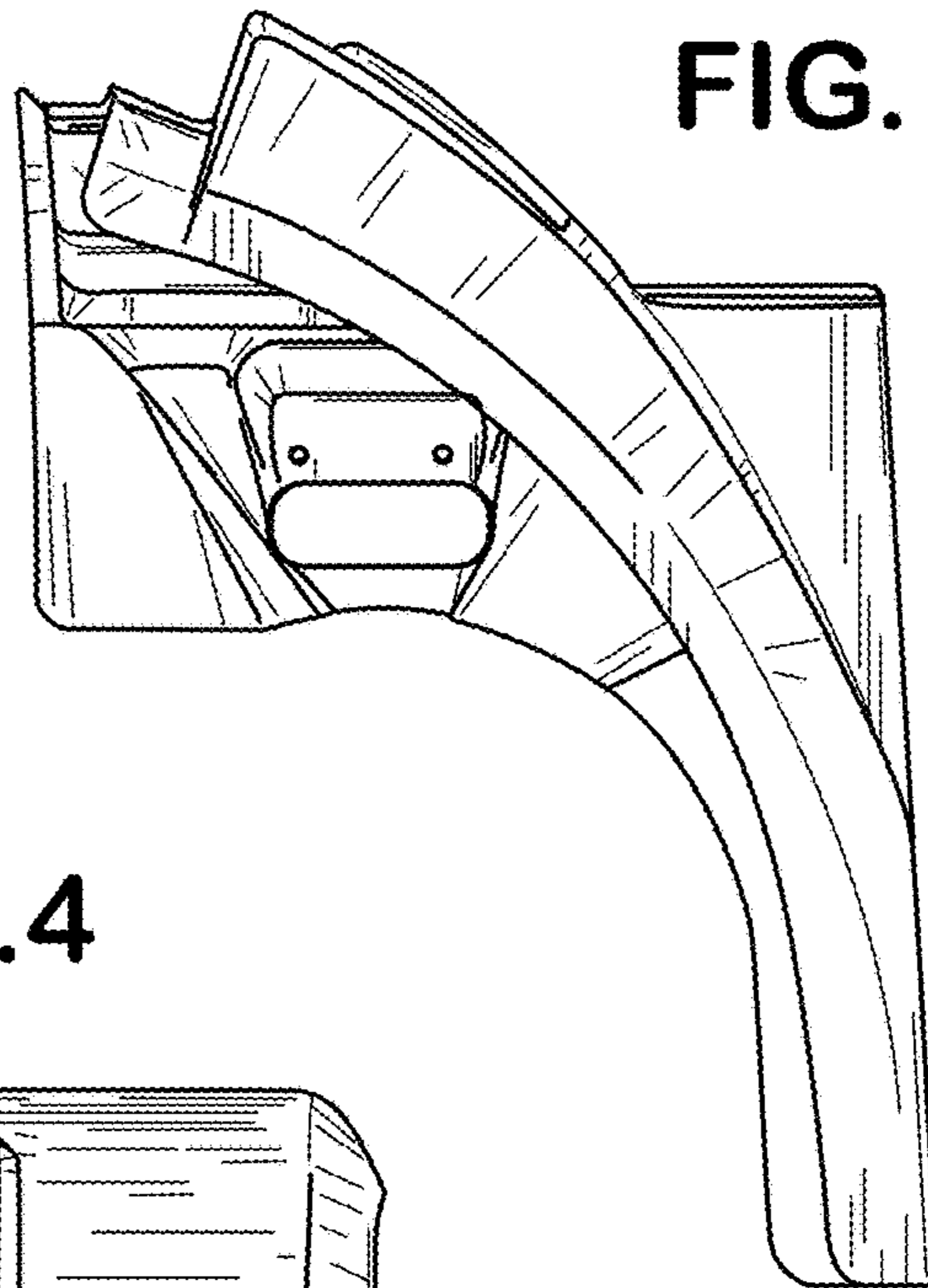


FIG. 4

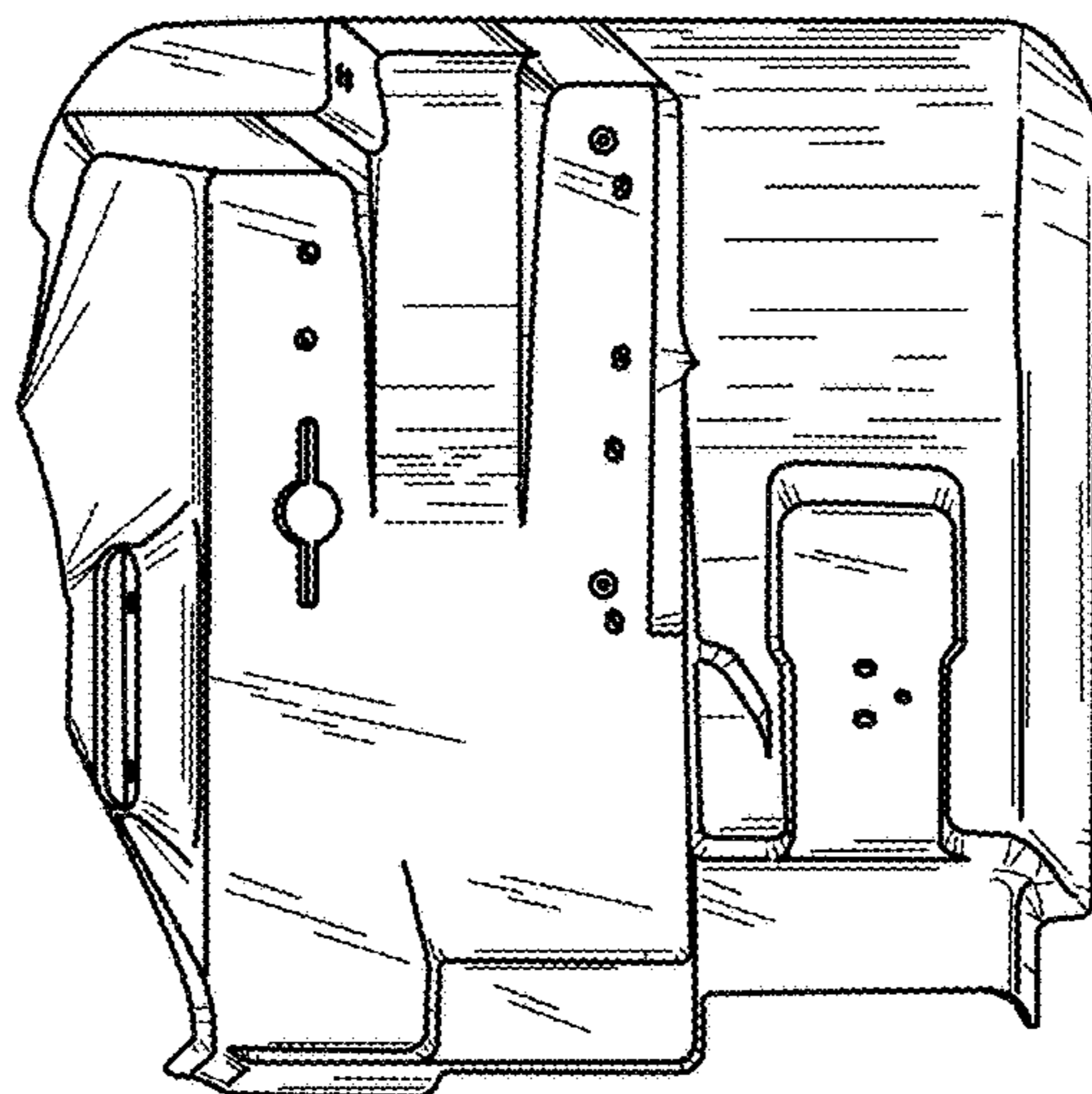


FIG. 5

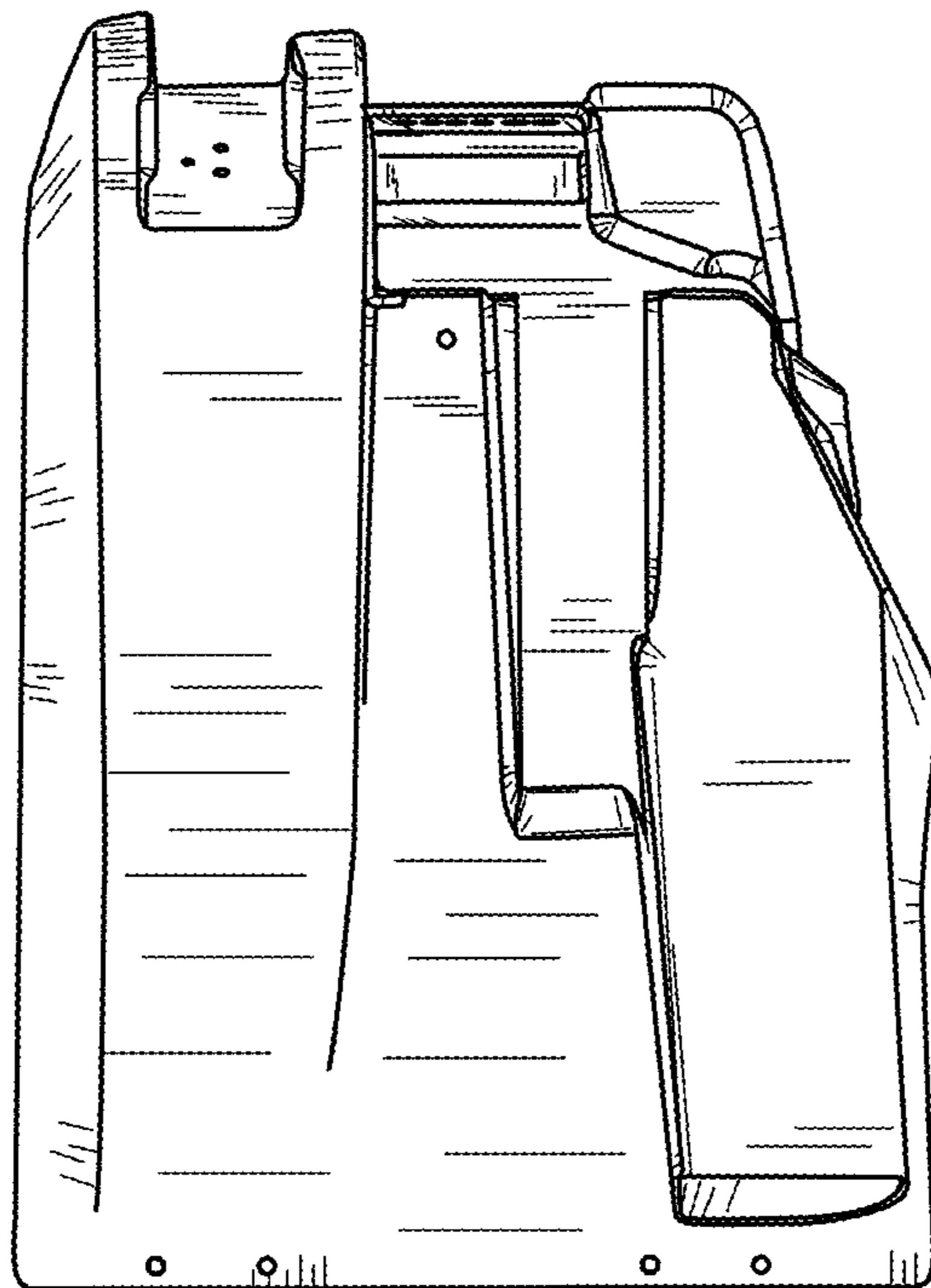


FIG. 6

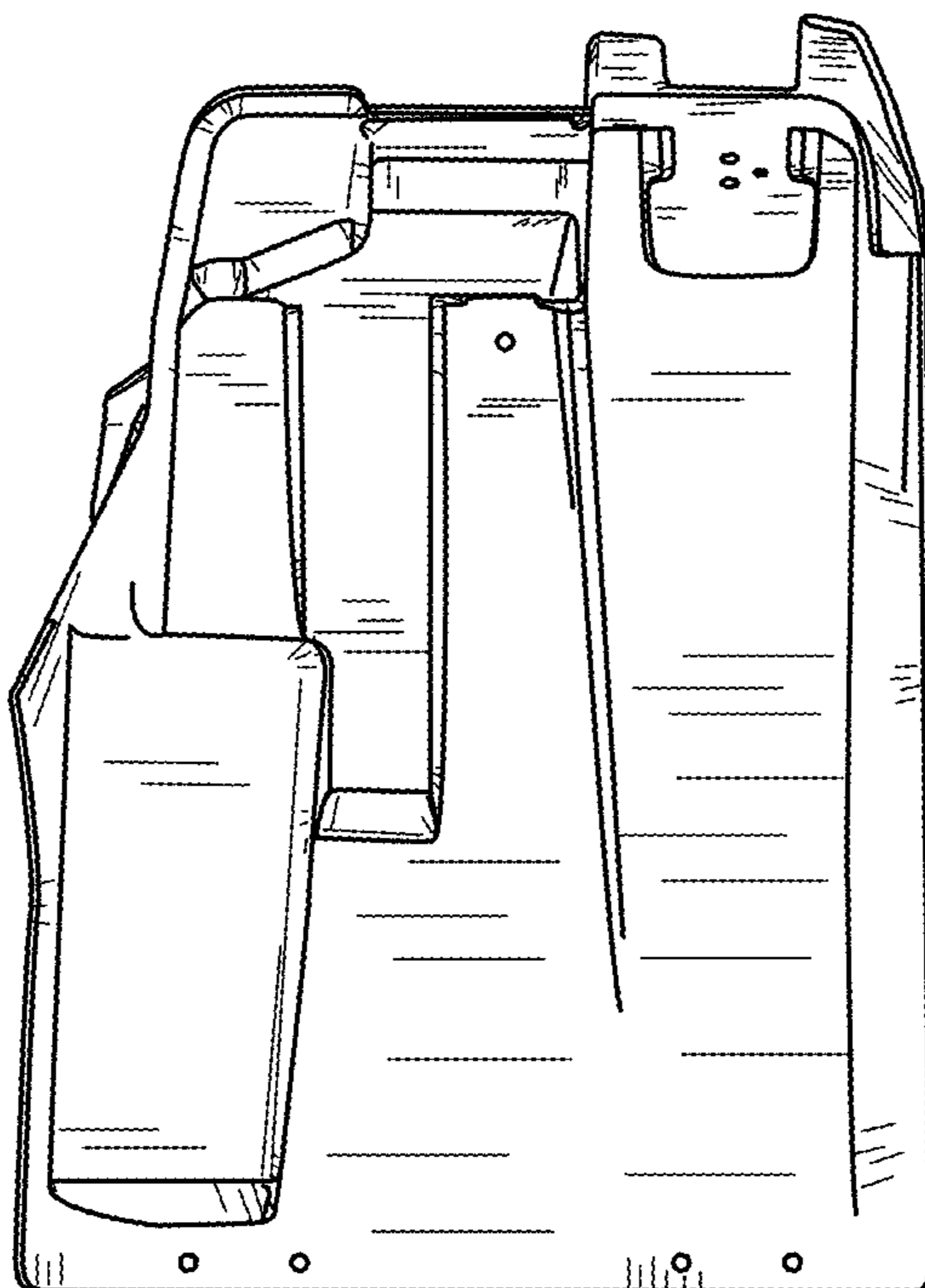


FIG. 7

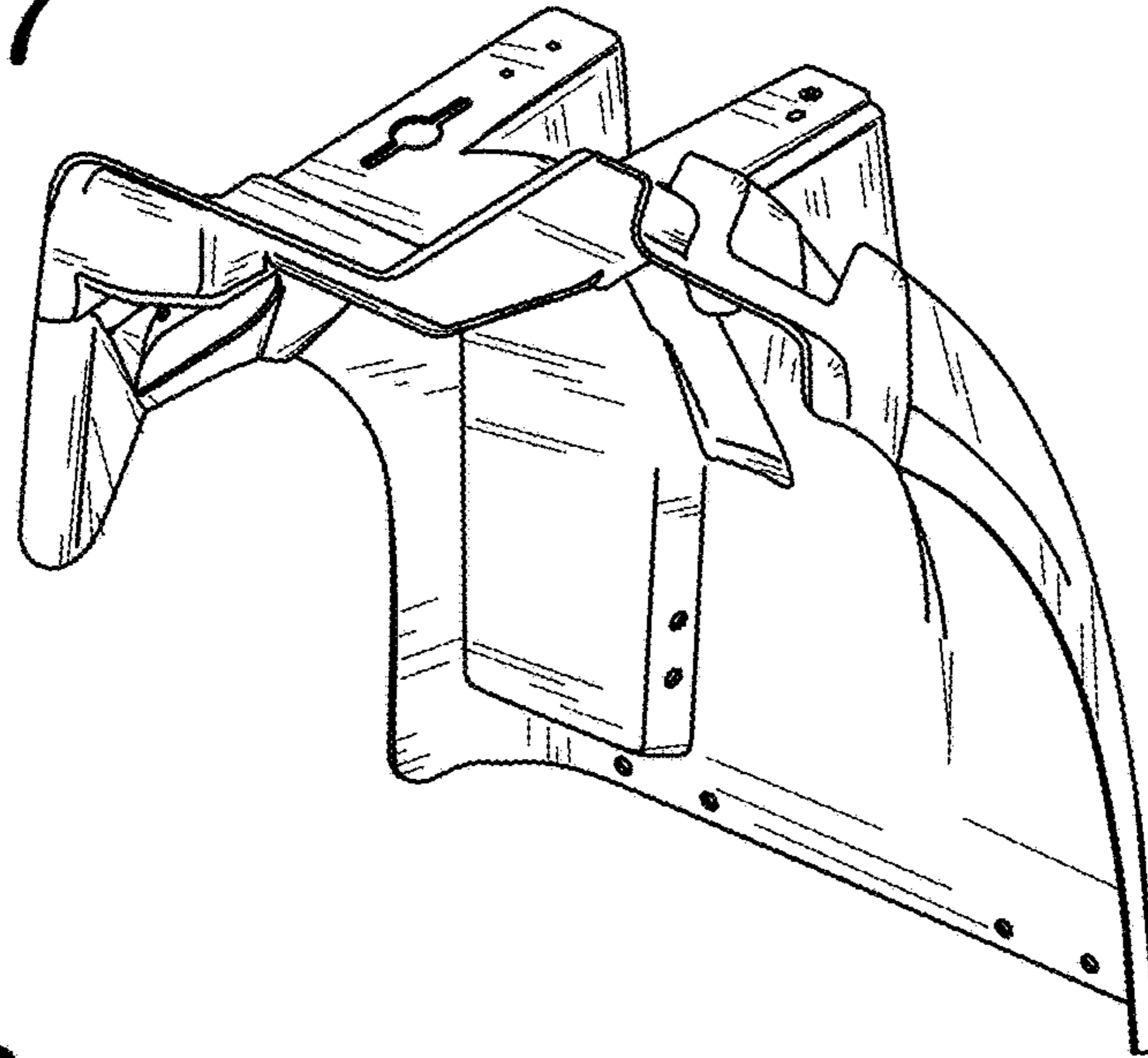


FIG. 8

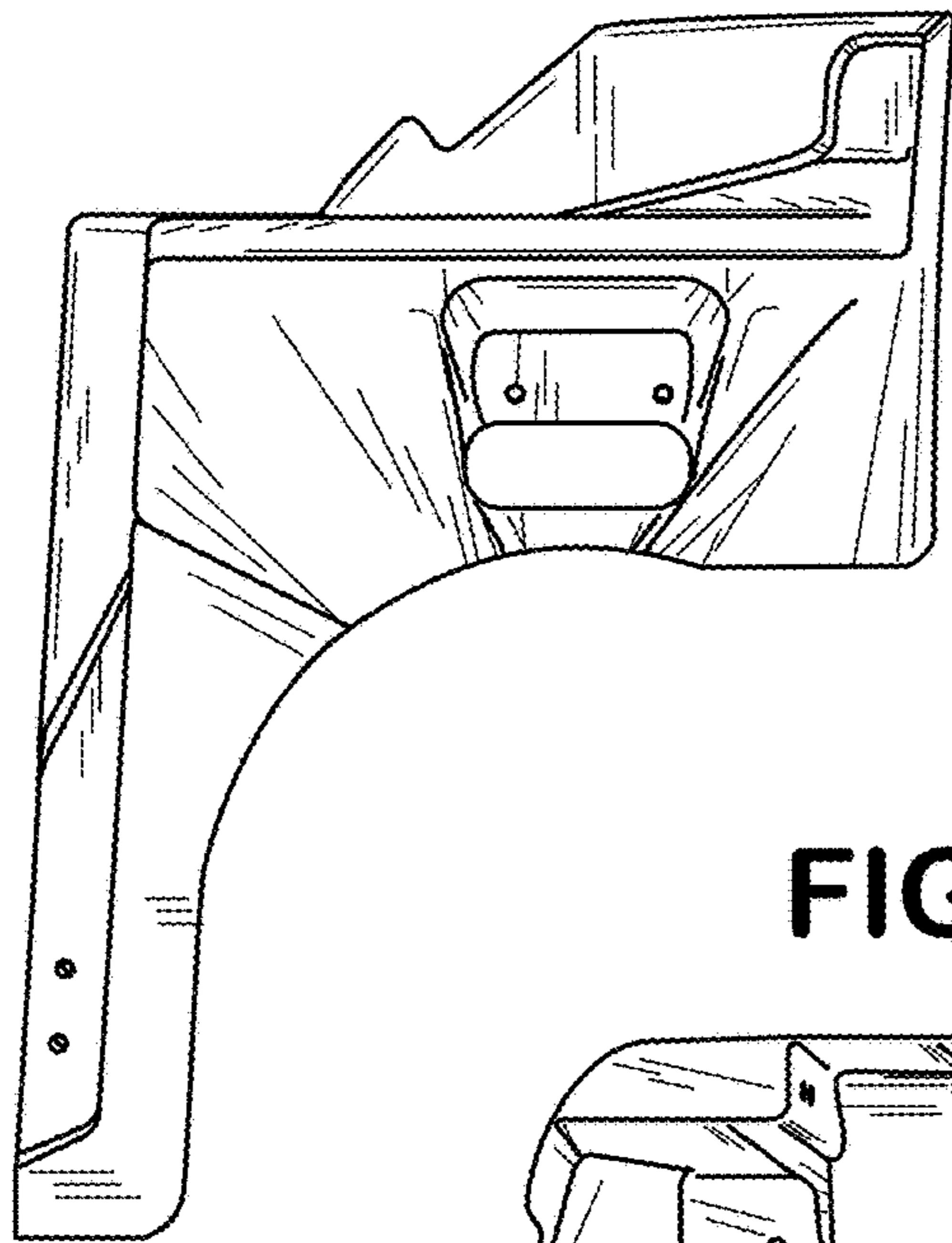


FIG. 9

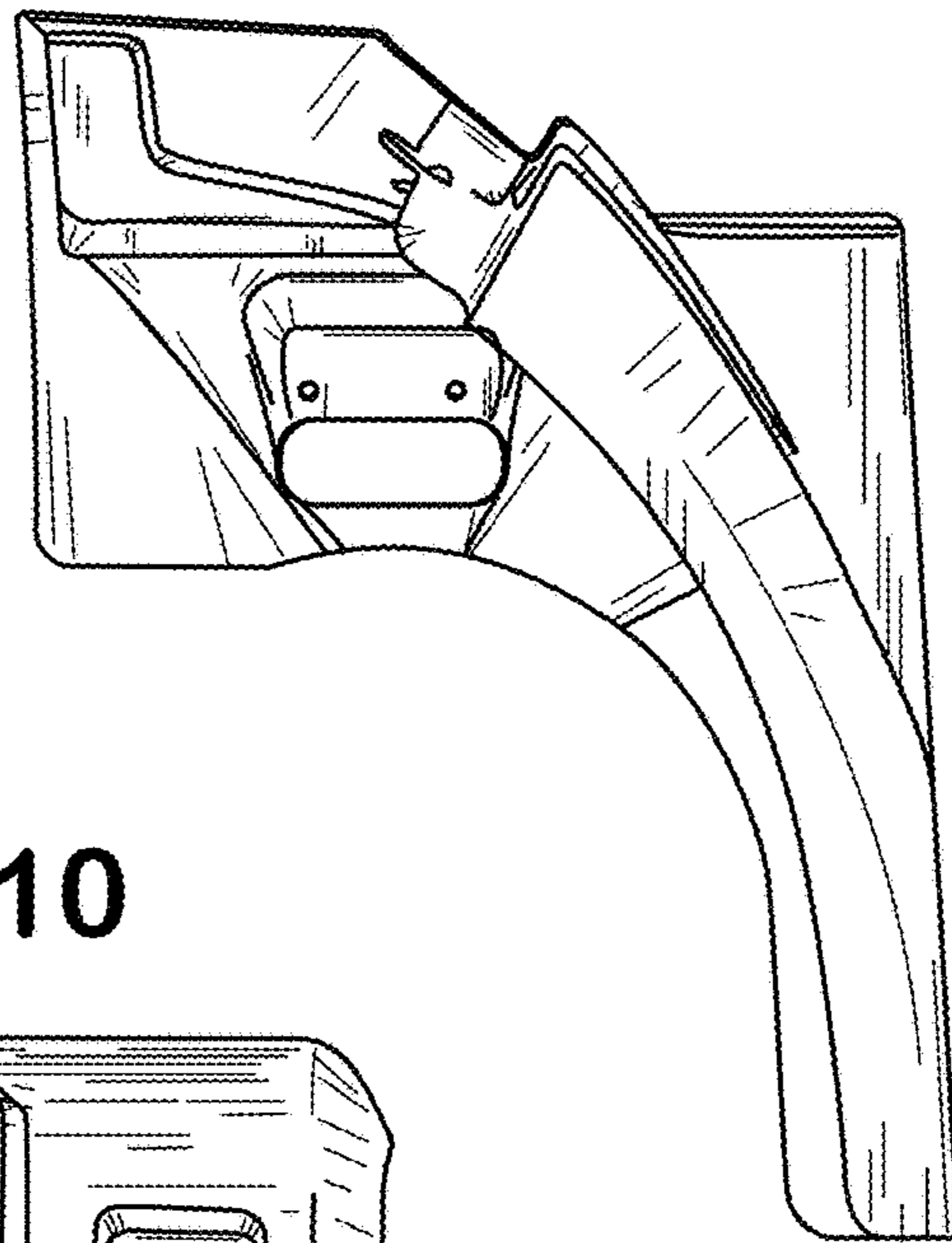


FIG. 10

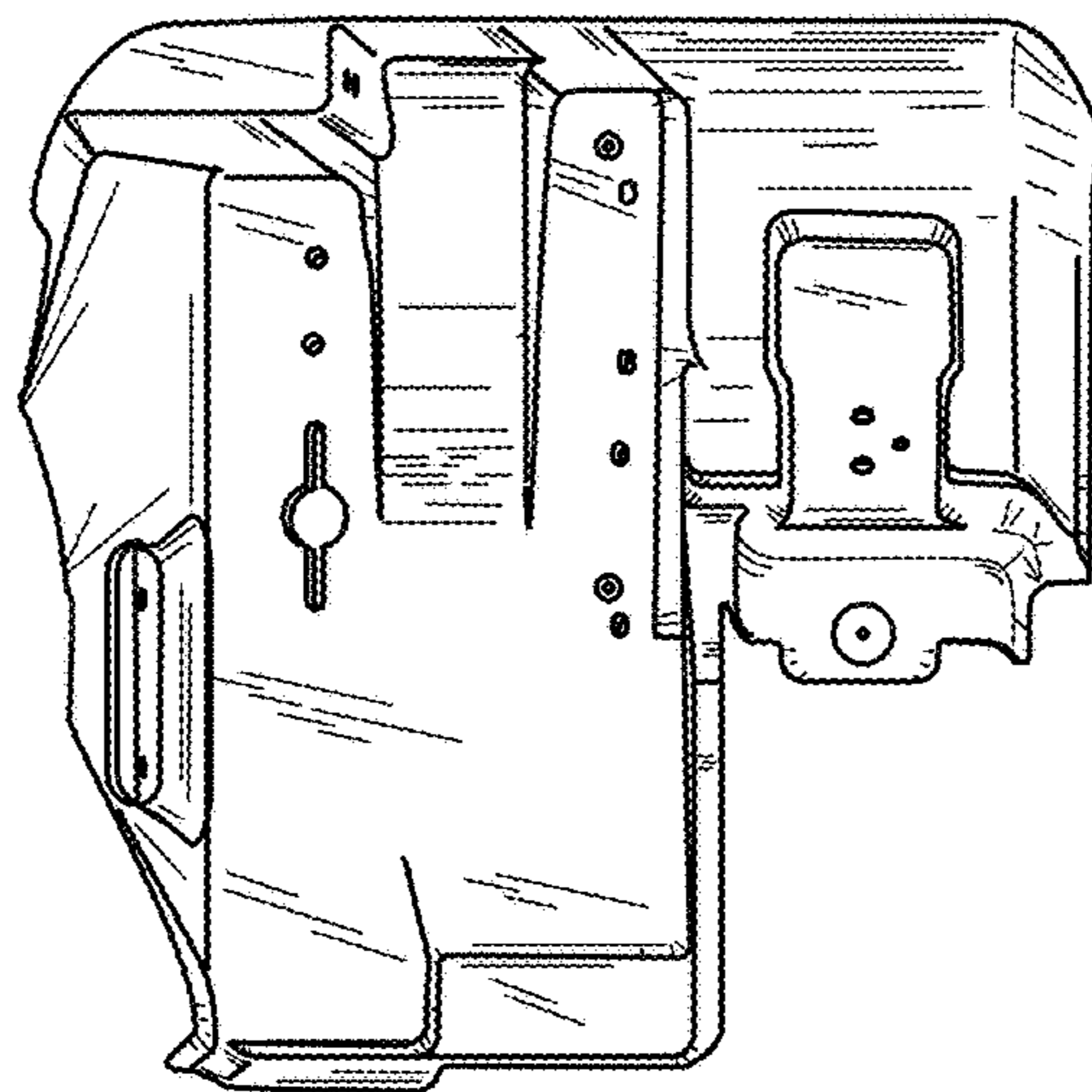


FIG. 11

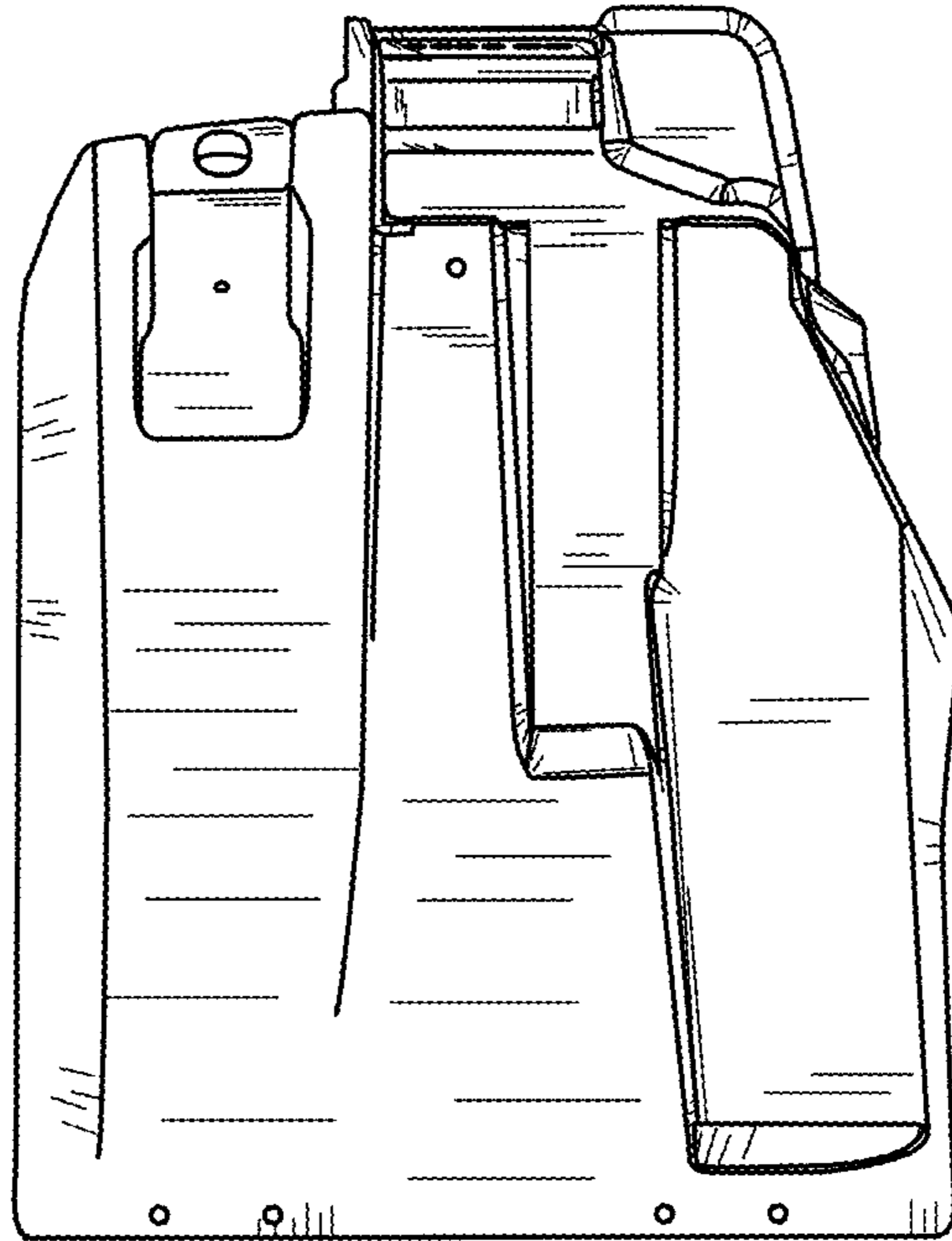


FIG. 12

