



US00D791654S

(12) **United States Design Patent** (10) **Patent No.:** **US D791,654 S**  
**Cartabiano et al.** (45) **Date of Patent:** **\*\* Jul. 11, 2017**

(54) **REAR BUMPER FOR AN AUTOMOBILE**

OTHER PUBLICATIONS

(71) Applicants: **Ian Richard Cartabiano**, Torrance, CA (US); **Katsuhiro Suzuki**, Nagakute (JP)

C-HR Concept (2014), Toyota, Netcarshow.com, <[http://www.netcarshow.com/toyota/2014-c-hr\\_concept/1600x0200/wallpaper\\_oa.htm](http://www.netcarshow.com/toyota/2014-c-hr_concept/1600x0200/wallpaper_oa.htm)>, available at least as early as Jan. 20, 2015.

(72) Inventors: **Ian Richard Cartabiano**, Torrance, CA (US); **Katsuhiro Suzuki**, Nagakute (JP)

Focus (2016), Ford, Netcarshow.com, <[http://www.netcarshow.com/ford/2016-focus\\_rs/1600x0200/wallpaper\\_oc.htm](http://www.netcarshow.com/ford/2016-focus_rs/1600x0200/wallpaper_oc.htm)>, available at least as early as Jan. 20, 2015.

(73) Assignee: **Toyota Jidosha Kabushiki Kaisha** (JP)

X6 M (2016), BMW, Netcarshow.com, <[http://www.netcarshow.com/bmw/2016-x6\\_m/1600x1200/wallpaper\\_5a.htm](http://www.netcarshow.com/bmw/2016-x6_m/1600x1200/wallpaper_5a.htm)>, available at least as early as Jan. 20, 2015.

(\*\*) Term: **15 Years**

\* cited by examiner

(21) Appl. No.: **29/549,931**

*Primary Examiner* — Melody N Brown

(22) Filed: **Dec. 29, 2015**

(74) *Attorney, Agent, or Firm* — Saidman DesignLaw Group, LLC

(51) **LOC (10) Cl.** ..... **12-16**

(52) **U.S. Cl.**  
USPC ..... **D12/169**

(58) **Field of Classification Search**  
USPC .... D12/169, 216, 90-92, 86, 171, 196, 163;  
293/102, 113, 115, 117, 120; 296/180.1,  
296/180.2  
CPC ..... B60R 19/02; B60R 19/04; B62D 25/08  
See application file for complete search history.

(57) **CLAIM**

The ornamental design for a rear bumper for an automobile, as shown and described.

**DESCRIPTION**

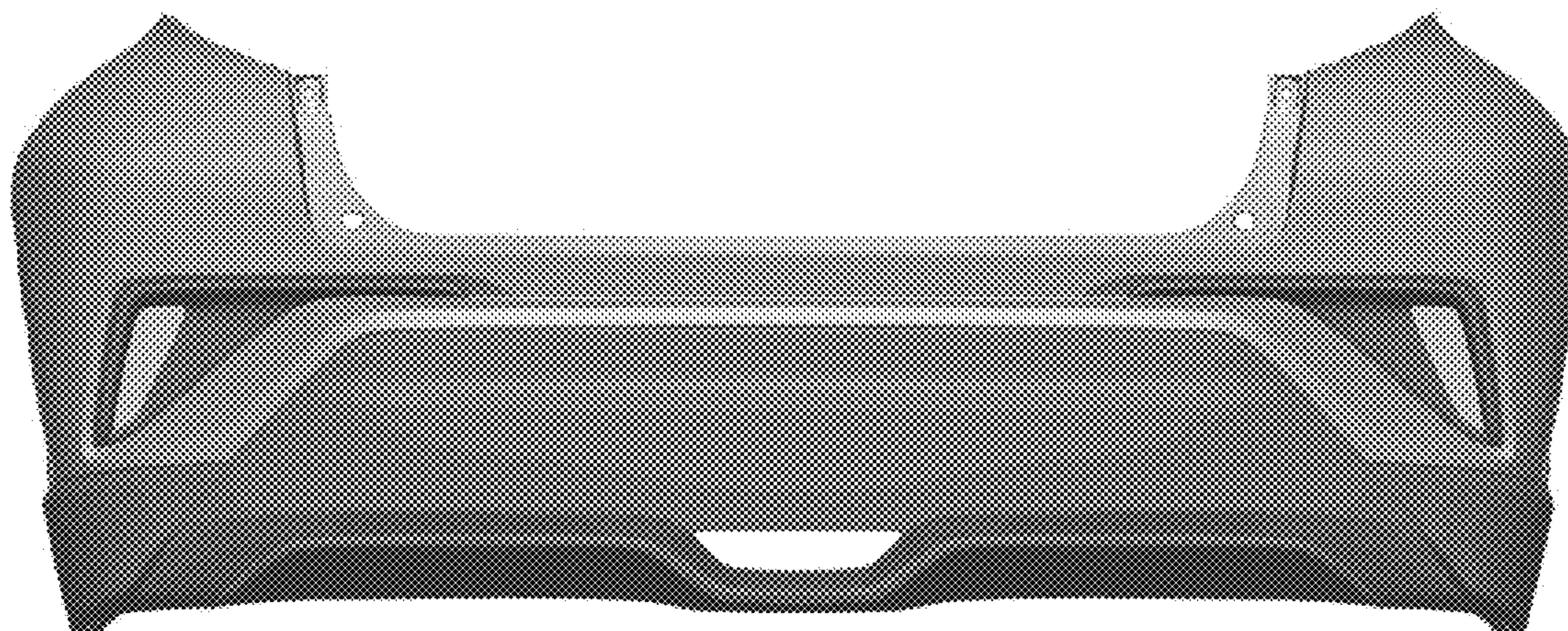
FIG. 1 is a perspective view of a rear bumper for an automobile showing our new design;  
FIG. 2 is a front view thereof;  
FIG. 3 is a rear view thereof;  
FIG. 4 is a top view thereof;  
FIG. 5 is a bottom view thereof;  
FIG. 6 is a left side view thereof; and,  
FIG. 7 is a right side view thereof.

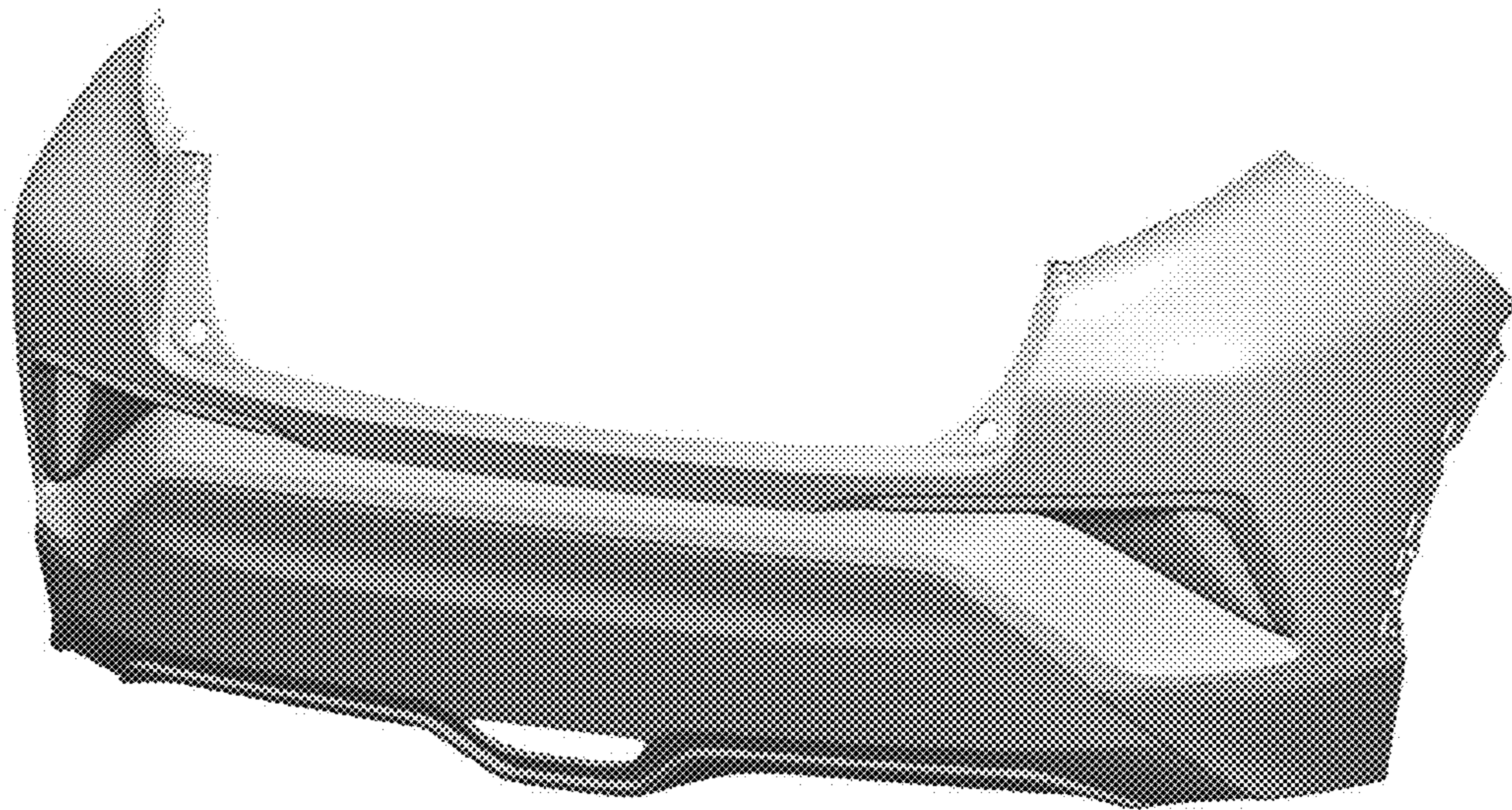
**1 Claim, 7 Drawing Sheets**

(56) **References Cited**

U.S. PATENT DOCUMENTS

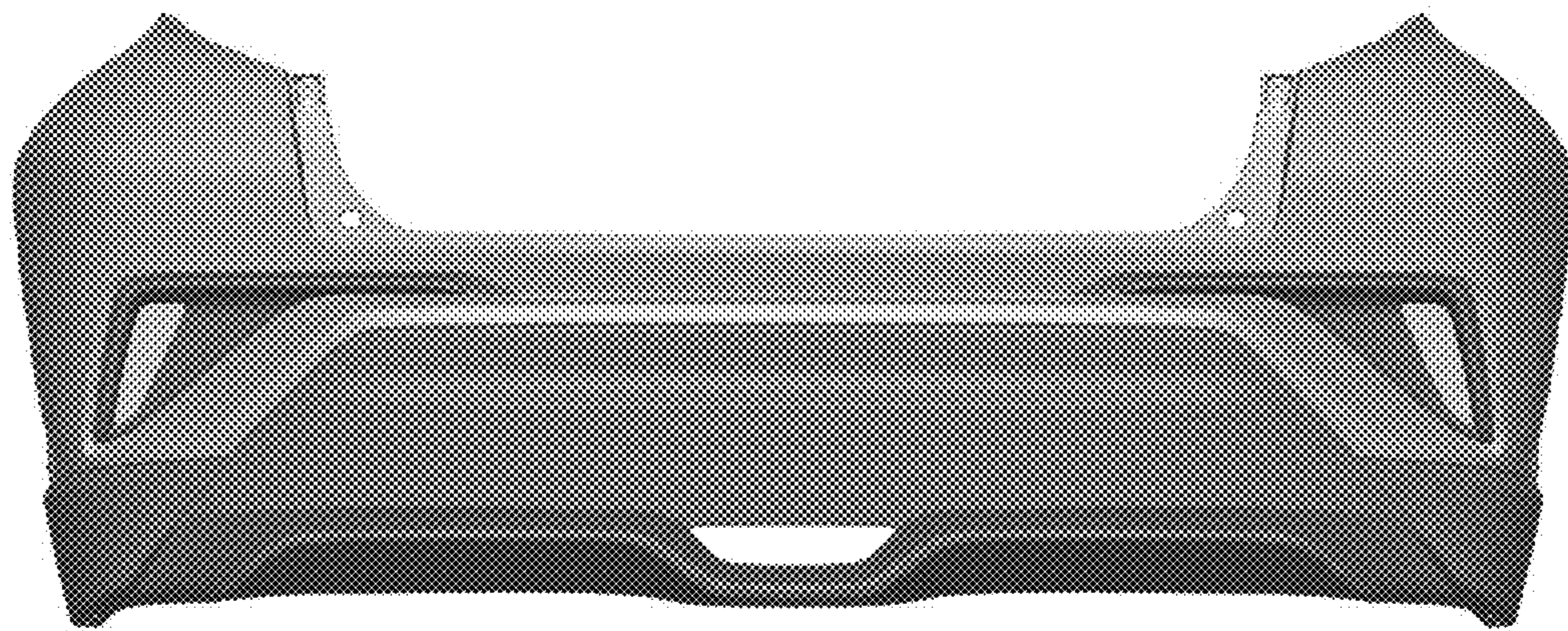
D702,160 S *	4/2014	Miyazawa	.....	D12/169
D712,322 S *	9/2014	Kobayashi	.....	D12/169
D731,370 S *	6/2015	Howell	.....	D12/169
D734,694 S *	7/2015	Ohoka	.....	D12/169
D736,126 S *	8/2015	Hammoud	.....	D12/169
D762,532 S *	8/2016	Tsutamori	.....	D12/169
D769,161 S *	10/2016	Ishii	.....	D12/169



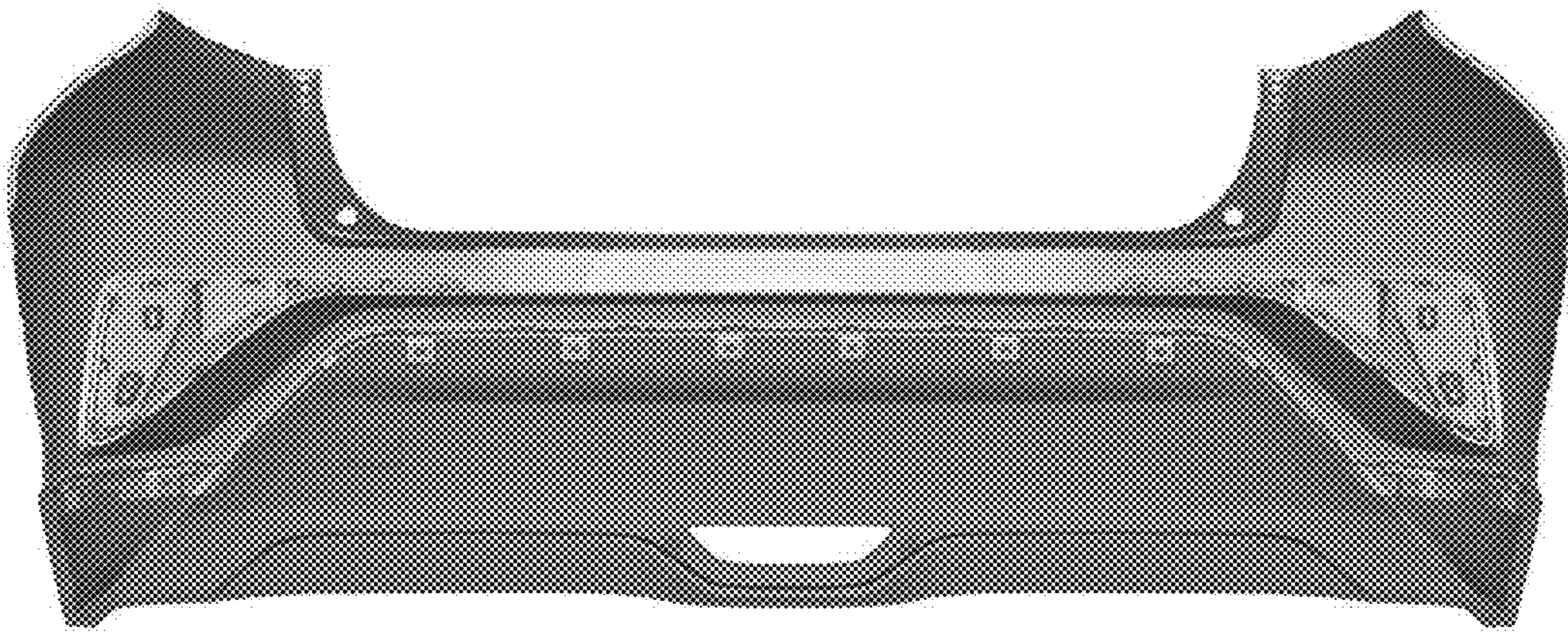


**Fig. 1**

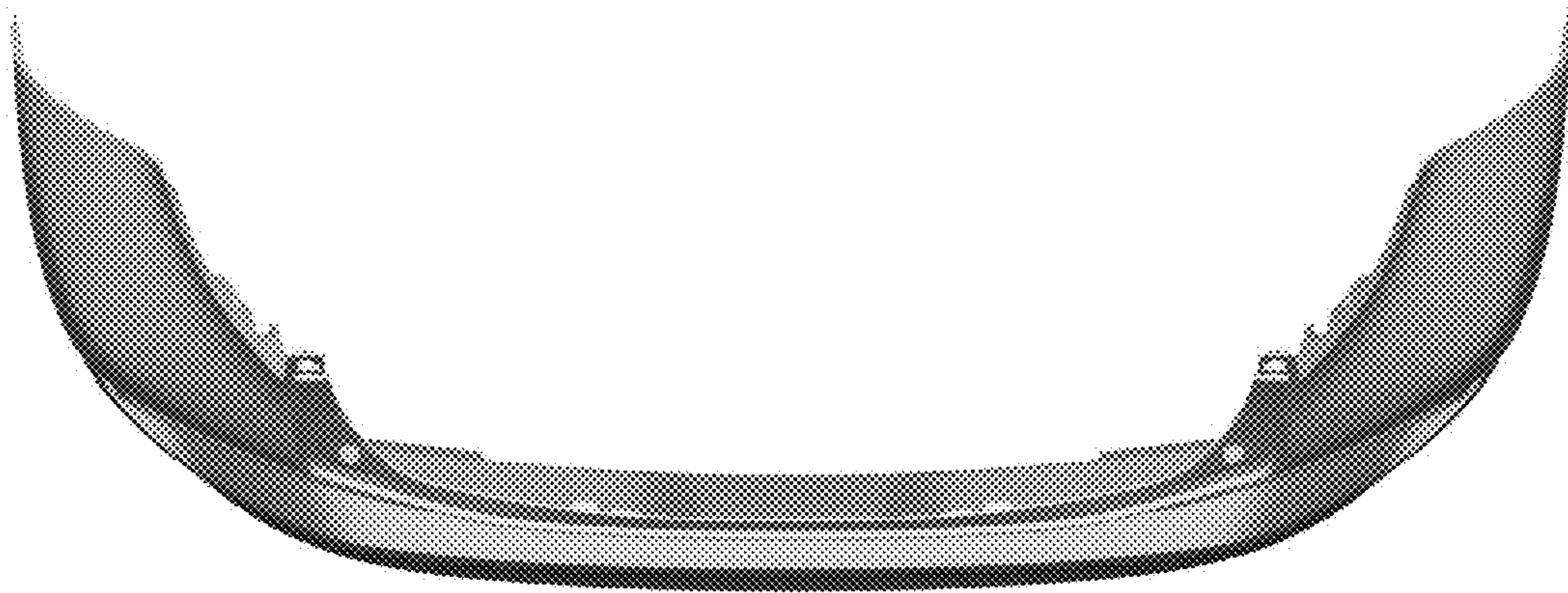




*Fig. 2*

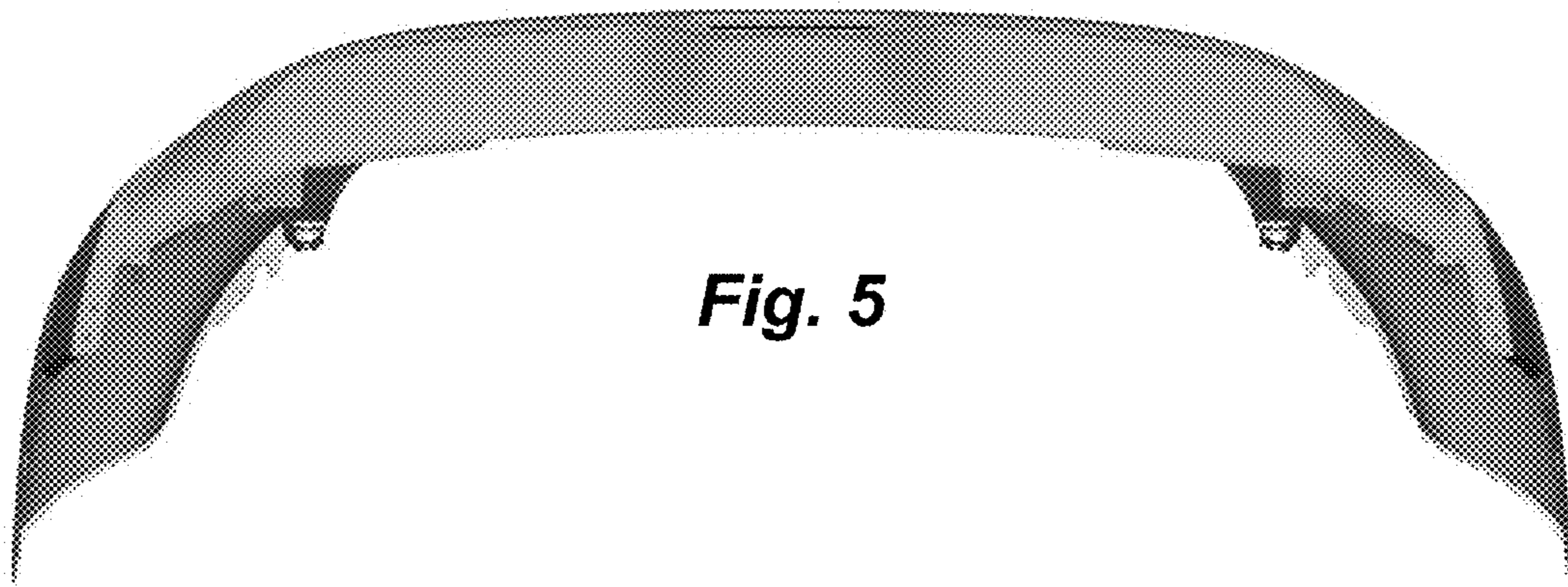


***Fig. 3***

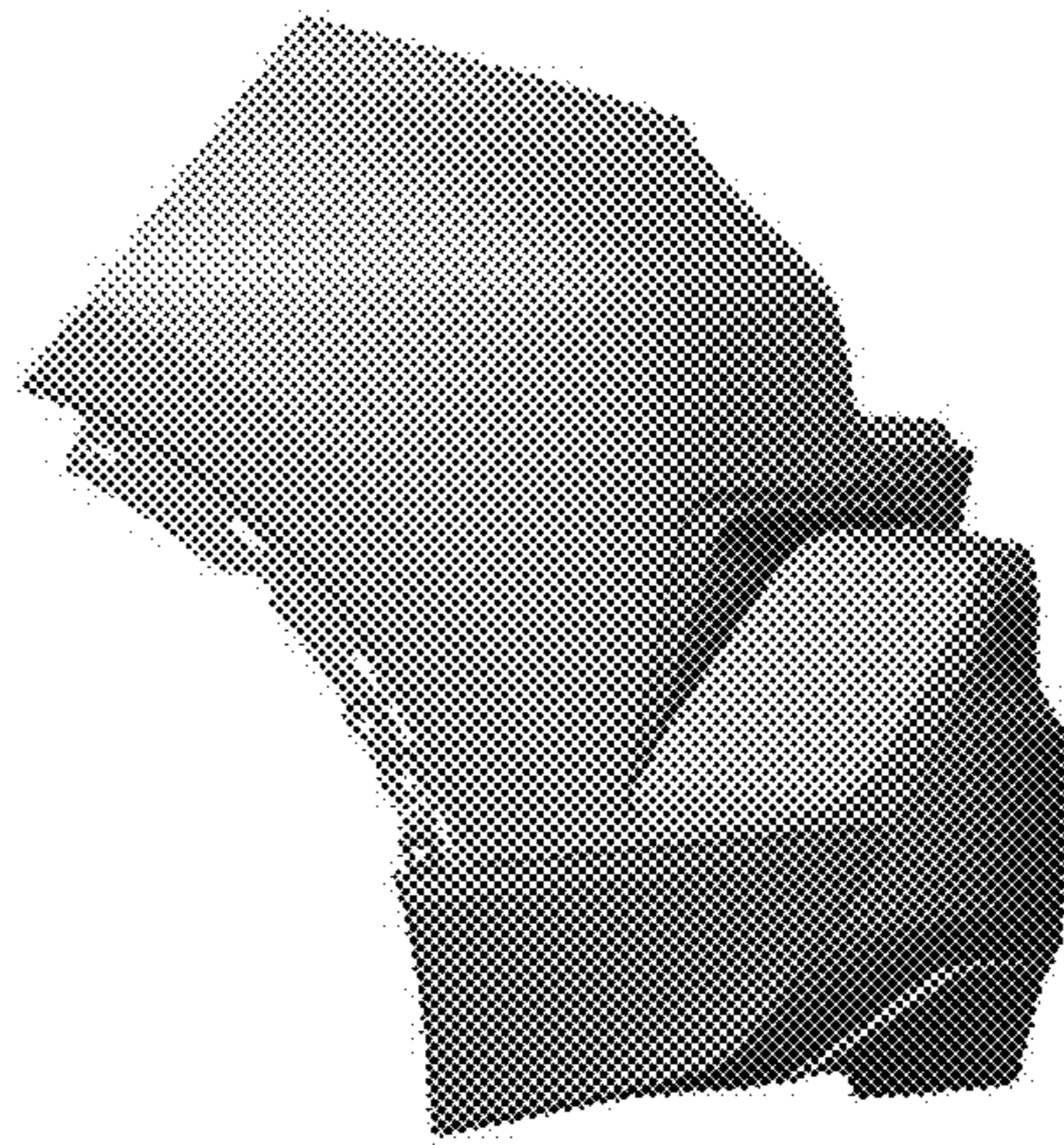


*Fig. 4*

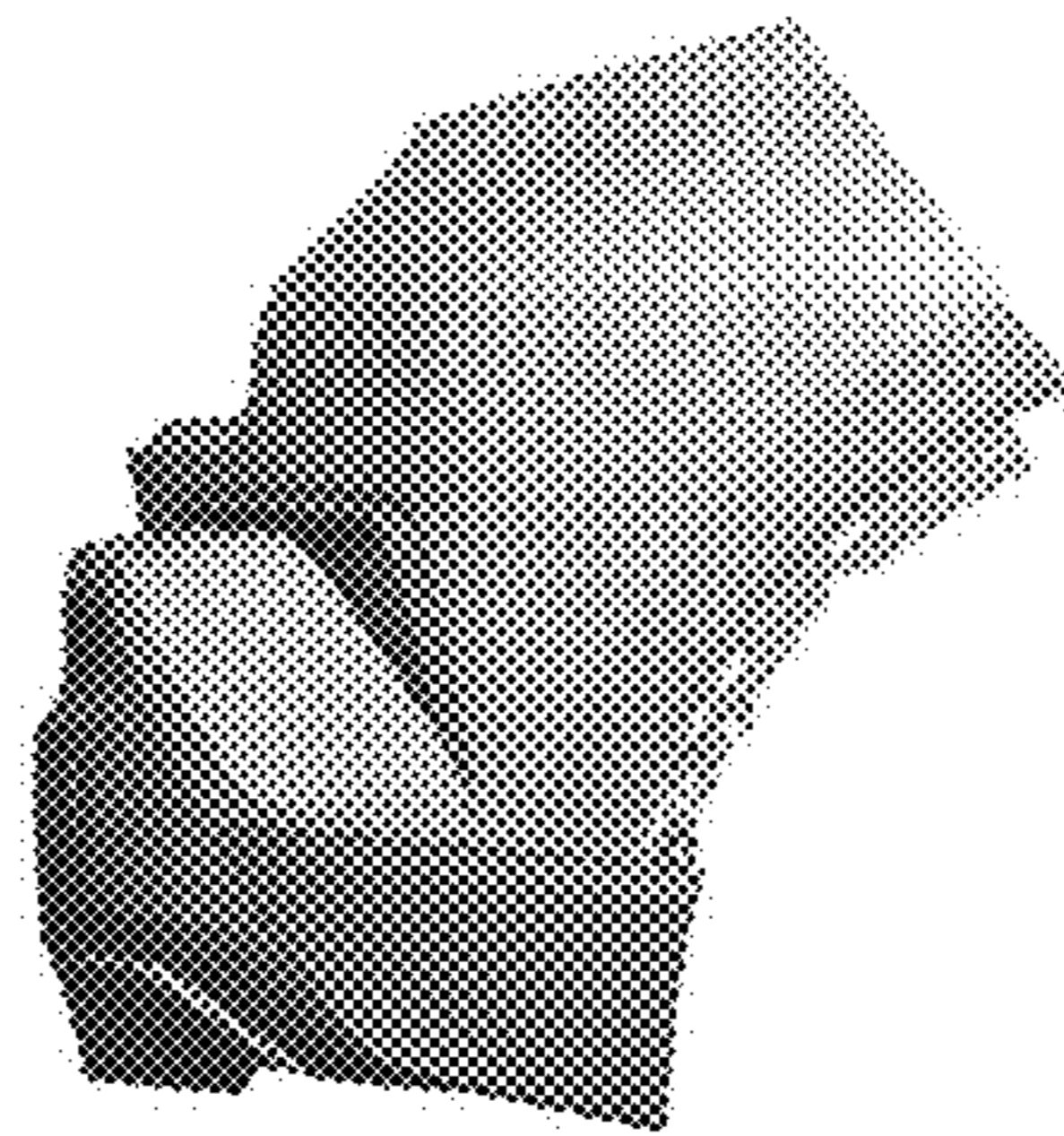




*Fig. 5*



*Fig. 6*



*Fig. 7*