



US00D791653S

(12) **United States Design Patent** (10) **Patent No.:** **US D791,653 S**
Svensson et al. (45) **Date of Patent:** **** Jul. 11, 2017**

(54) **VEHICLE FRONT LOWER GRILLE**

(71) Applicant: **Ford Global Technologies, LLC,**
Dearborn, MI (US)

(72) Inventors: **Christopher Svensson,** Chelmsford
(GB); **Craig S. Metros,** Bloomfield, MI
(US); **Darrell Paul Behmer,** Novi, MI
(US); **Eric Stoddard,** Birmingham, MI
(US)

(73) Assignee: **Ford Global Technologies, LLC,**
Dearborn, MI (US)

(**) Term: **15 Years**

(21) Appl. No.: **29/549,432**

(22) Filed: **Dec. 22, 2015**

(51) **LOC (10) Cl.** **12-16**

(52) **U.S. Cl.**
USPC **D12/163**

(58) **Field of Classification Search**
USPC D12/91, 163-171; D21/313, 433-434;
180/68.1, 68.6
CPC B60K 11/08; B62B 9/16; B60R 19/50;
B62D 25/08

See application file for complete search history.

(56) **References Cited**

U.S. PATENT DOCUMENTS

D510,302 S *	10/2005	Sugimoto	D12/163
D561,654 S *	2/2008	Platto	D12/163
D575,687 S *	8/2008	Hatake	D12/163
D575,689 S *	8/2008	Chang	D12/163
D578,443 S *	10/2008	Schiavone	D12/163
D584,196 S *	1/2009	Ebel	D12/163
D584,197 S *	1/2009	Song	D12/163
D593,460 S *	6/2009	Schiavone	D12/163
D680,921 S *	4/2013	Jara	D12/163
D681,514 S *	5/2013	Platto	D12/163
D688,987 S *	9/2013	Hildebrand	D12/163

D692,806 S	11/2013	Hamilton et al.	
D698,703 S *	2/2014	Rupar D12/163
D698,704 S *	2/2014	Rupar D12/163
D698,705 S *	2/2014	Rupar D12/163
D701,804 S *	4/2014	Campbell D12/169
D703,589 S *	4/2014	Campbell D12/163
D720,263 S *	12/2014	Pevovar D12/163
D726,598 S *	4/2015	Rupar D12/163
D727,221 S *	4/2015	Rupar D12/163
D730,785 S *	6/2015	Hammoud D12/163
D740,184 S *	10/2015	Blanski D12/163
D758,927 S *	6/2016	Messale D12/163

(Continued)

OTHER PUBLICATIONS

Josh Sadlier, 2017 Ford Fusion Teased in New Photos, <http://www.autotrader.com/car-news/2017-ford-fusion-based-in-new-photos-238624> Apr. 2015.

(Continued)

Primary Examiner — Manpreet Matharu

Assistant Examiner — Keith Wilson

(74) *Attorney, Agent, or Firm* — LeClairRyan

(57) **CLAIM**

The ornamental design for a vehicle front lower grille, as shown and described.

DESCRIPTION

FIG. 1 is a top front perspective and left view of the vehicle front lower grille;

FIG. 2 is a top front perspective and right view thereof;

FIG. 3 is a top rear perspective view thereof;

FIG. 4 is a front elevational view thereof;

FIG. 5 is a rear elevational view thereof;

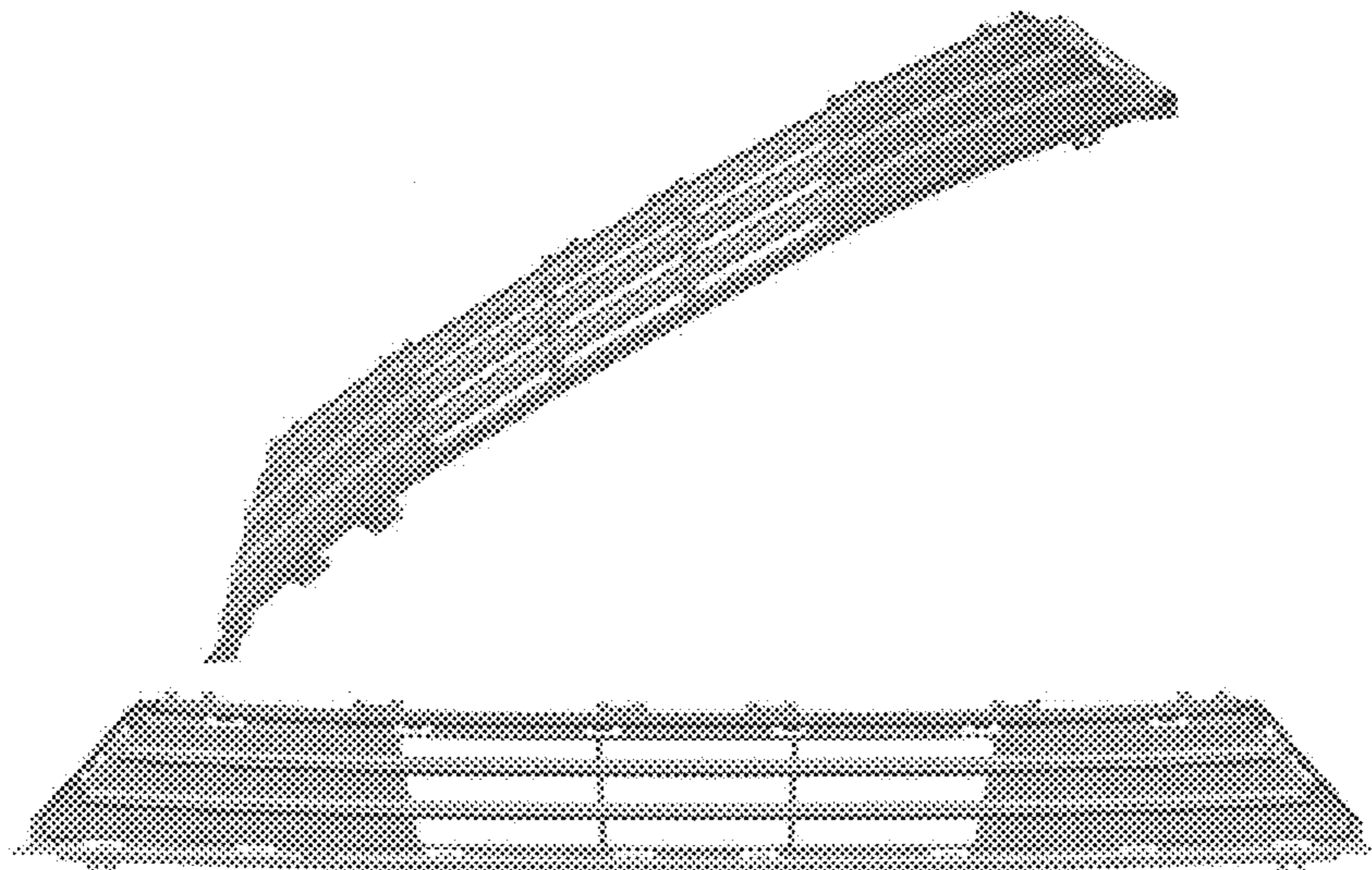
FIG. 6 is a left side elevational view thereof;

FIG. 7 is a right side elevational view thereof;

FIG. 8 is a top plan view thereof; and,

FIG. 9 is a bottom plan view thereof.

1 Claim, 9 Drawing Sheets



(56)

References Cited

U.S. PATENT DOCUMENTS

2015/0183313 A1* 7/2015 Bruckner B60K 11/02
180/68.1
2016/0137053 A1* 5/2016 Dubey B60K 11/08
180/68.1

OTHER PUBLICATIONS

Ciprian Florea, 2017 Ford Fusion St, <http://www.topspeed.com/cars/ford/2017-ford-fusion-st-ar171128.html> Sep. 6, 2015.
Michael Gauthier, 2017 Ford Fusion Facelift Spied in Michigan, <http://www.motor1.com/spy/59710/2017-ford-fusion-facelift-spied-in-michigan> Nov. 19, 2015.

* cited by examiner

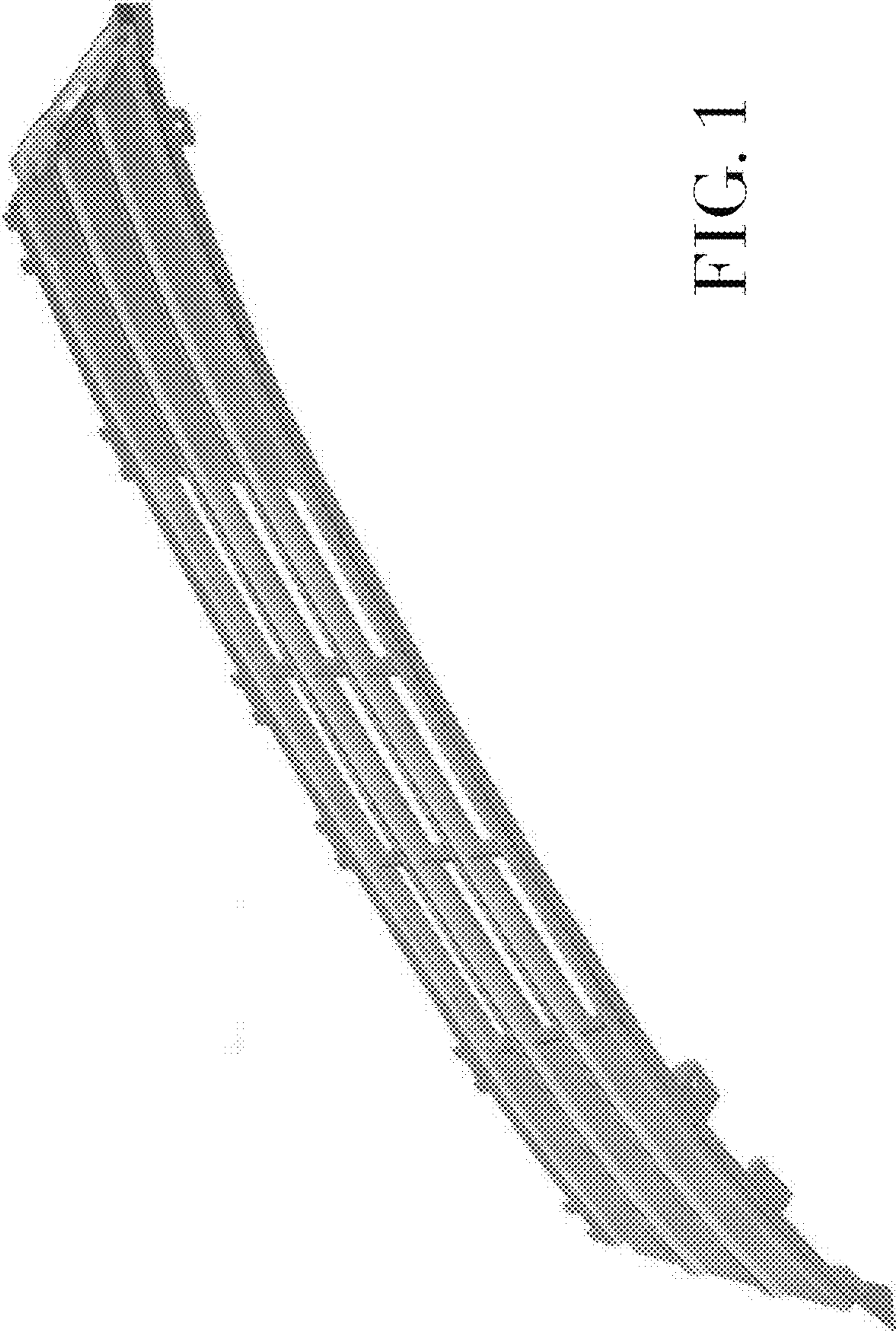


FIG. 1

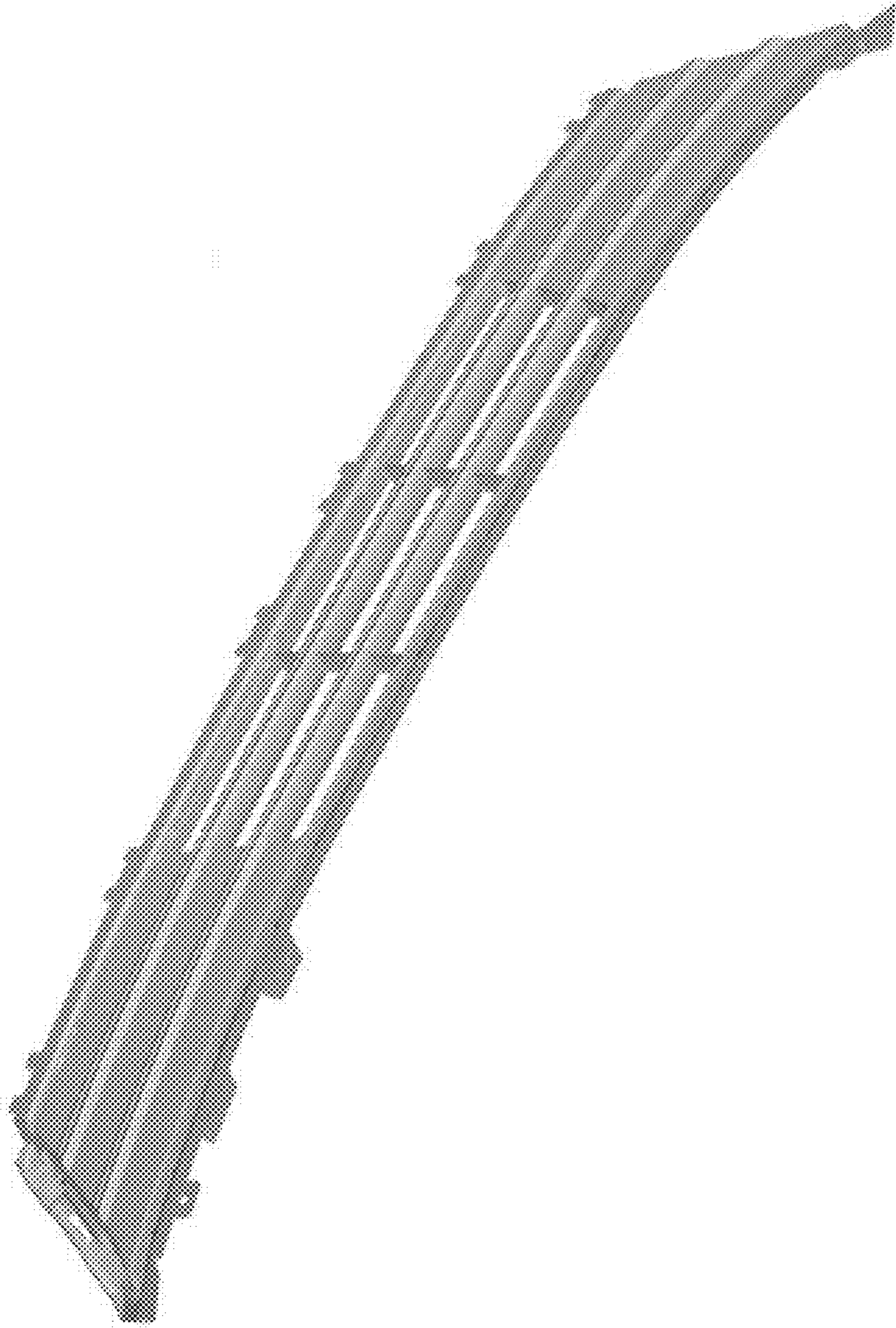


FIG. 2

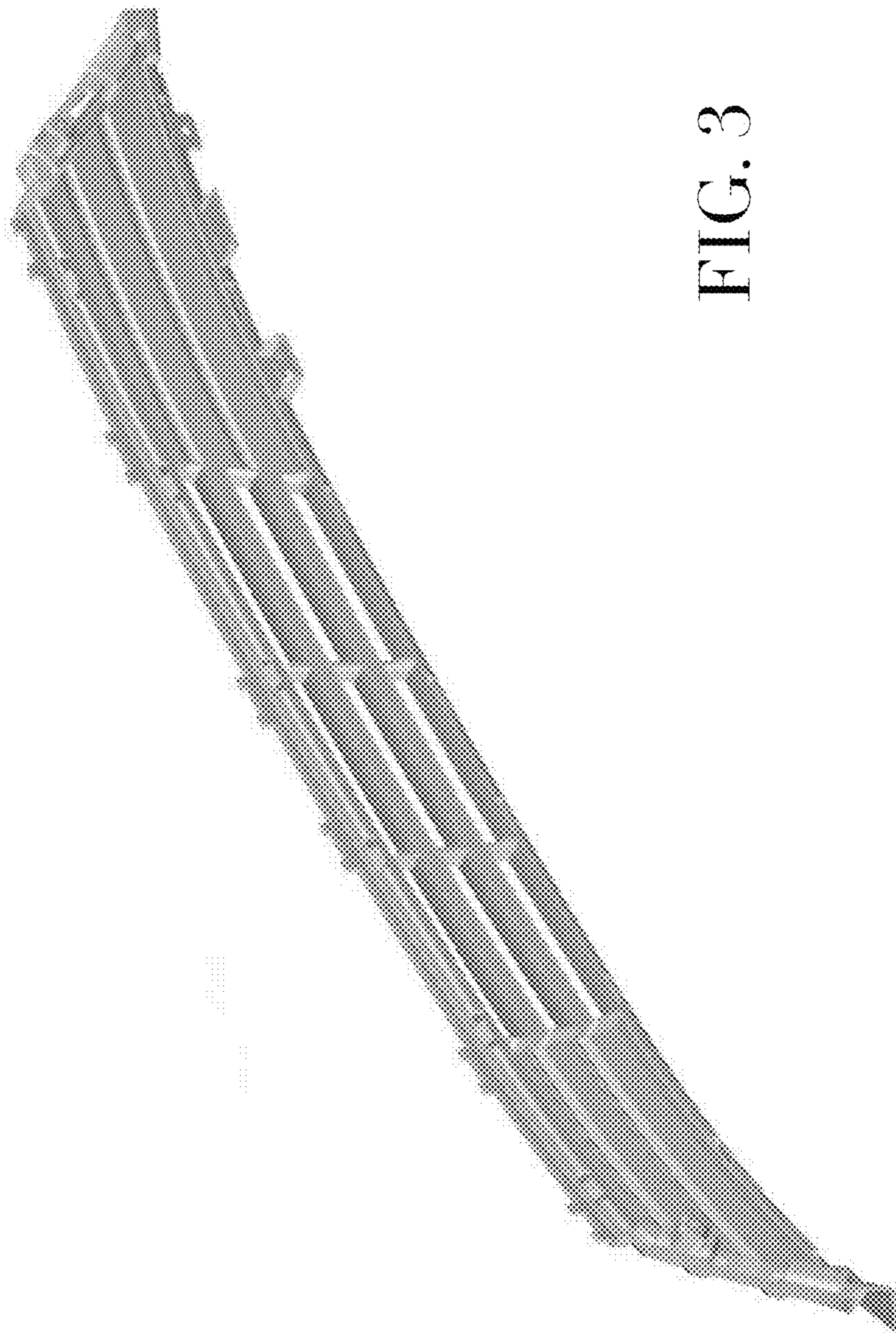


FIG. 3

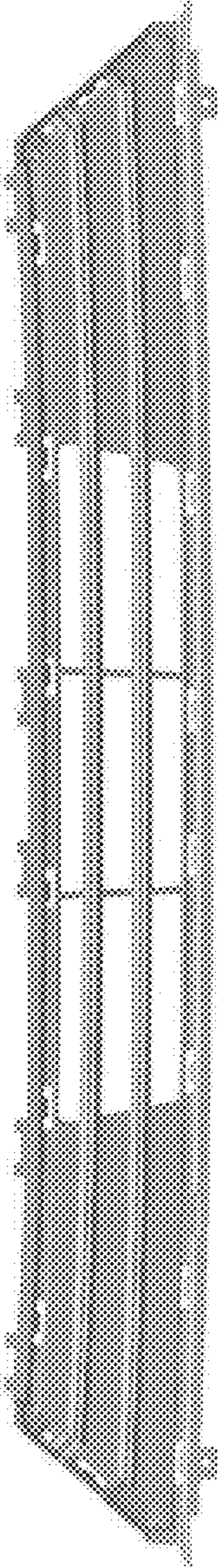


FIG. 4

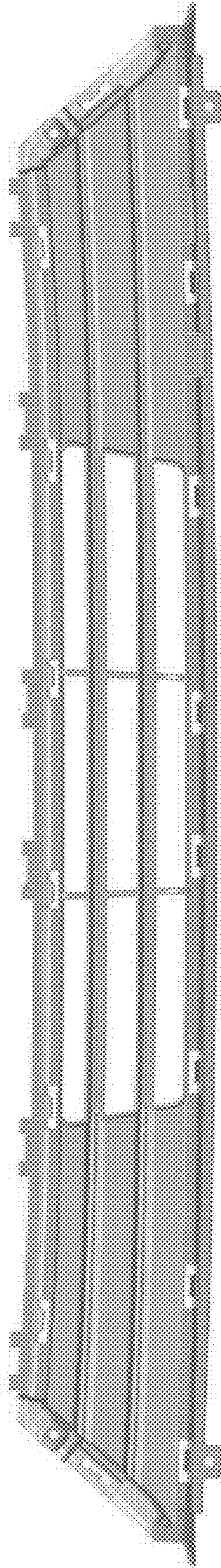


FIG. 5

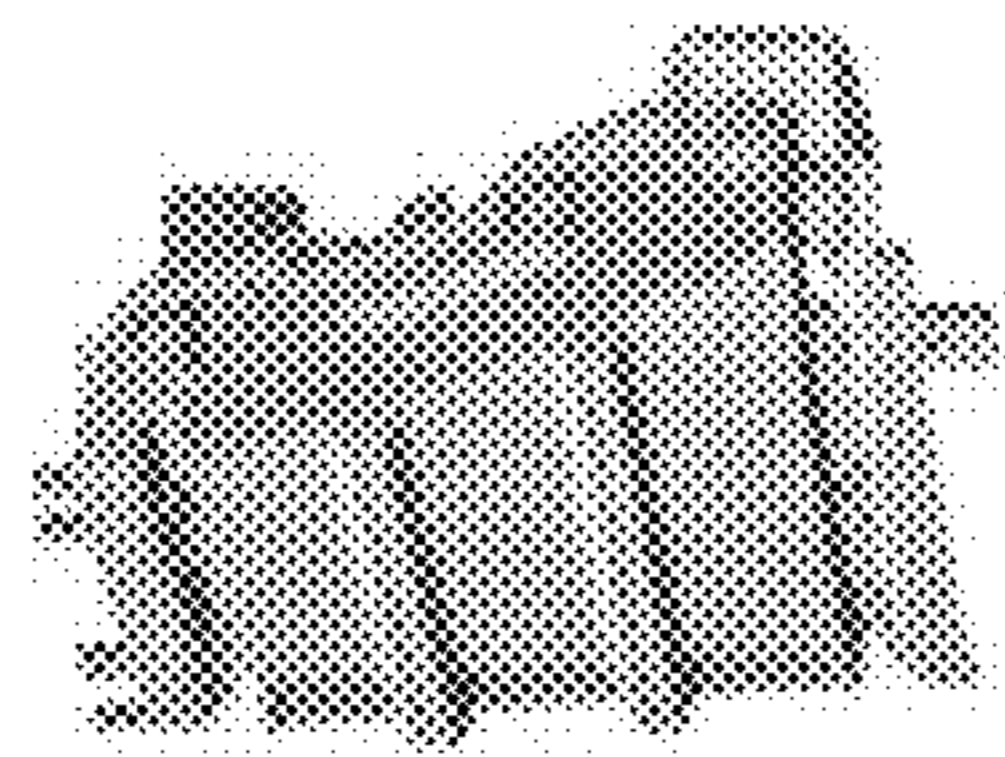


FIG. 6

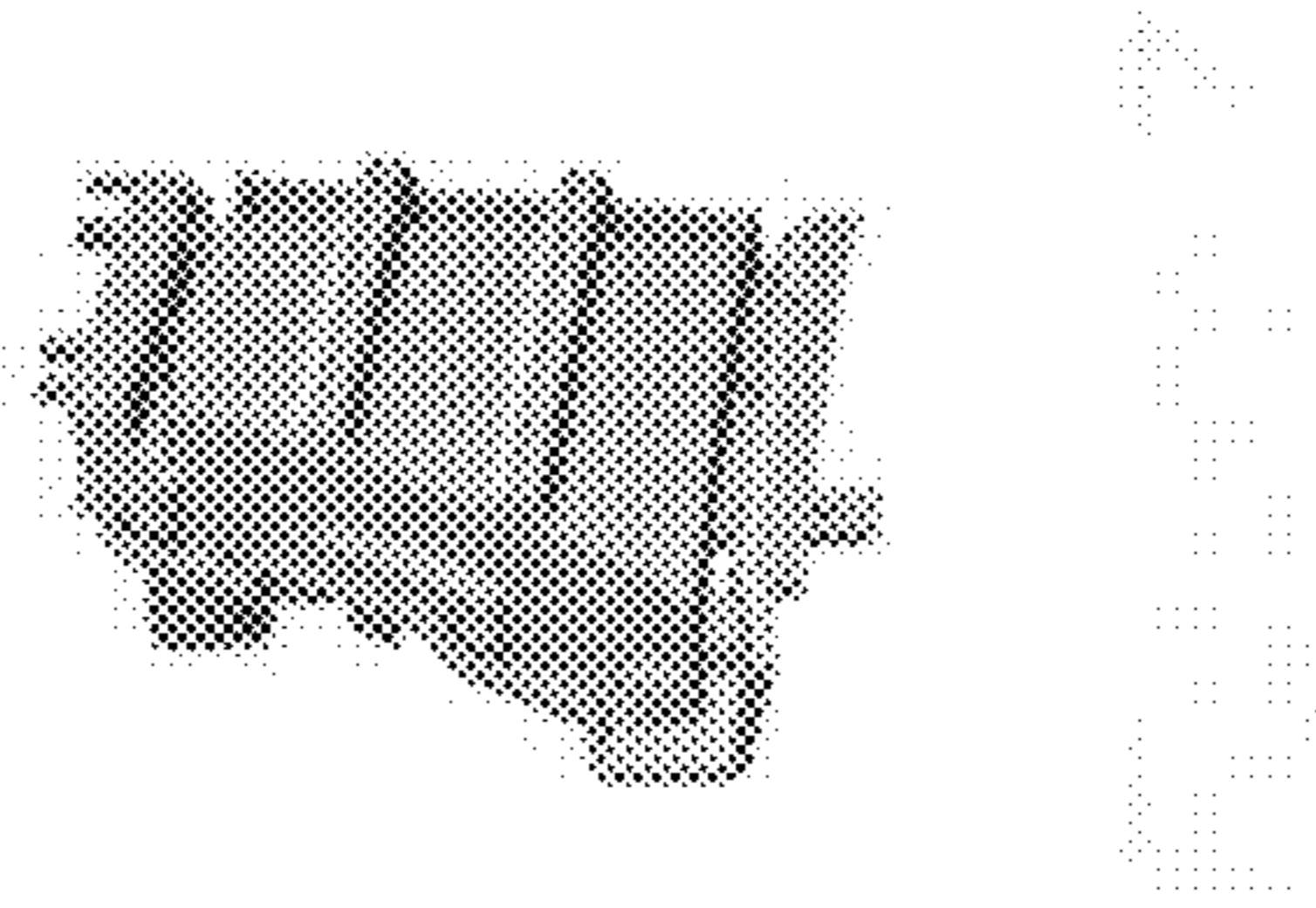


FIG. 7

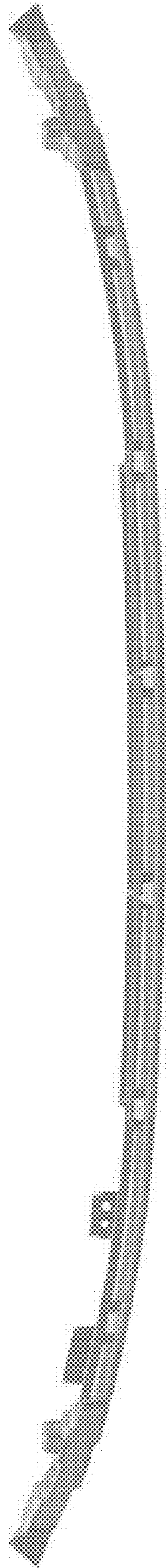


FIG. 8

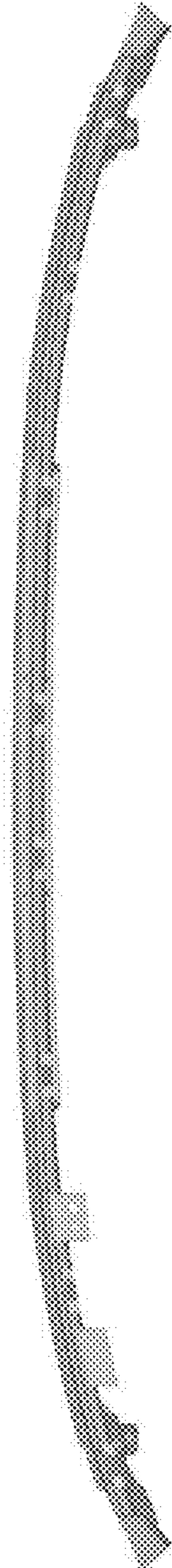


FIG. 9