



US00D791650S

(12) **United States Design Patent** (10) **Patent No.:** **US D791,650 S**
Brown, Jr. et al. (45) **Date of Patent:** **** Jul. 11, 2017**

- (54) **LEG RIGGING CLIP**
- (71) Applicant: **Medline Industries, Inc.**, Northfield, IL (US)
- (72) Inventors: **Corbett Brown, Jr.**, Round Lake Park, IL (US); **Zhiliang Wang**, Zhongshan (CN)
- (73) Assignee: **Medline Industries, Inc.**, Northfield, IL (US)
- (**) Term: **14 Years**
- (21) Appl. No.: **29/524,322**
- (22) Filed: **Apr. 20, 2015**

Related U.S. Application Data

- (63) Continuation of application No. 29/486,545, filed on Mar. 31, 2014, now Pat. No. Des. 727,217, which is a continuation of application No. 29/440,187, filed on Dec. 19, 2012, now Pat. No. Des. 701,795.
- (51) **LOC (10) Cl.** **12-12**
- (52) **U.S. Cl.**
USPC **D12/133**
- (58) **Field of Classification Search**
USPC D12/128-133
CPC A61G 5/00-5/14
See application file for complete search history.

(56) **References Cited**

U.S. PATENT DOCUMENTS

D235,731 S	7/1975	Hubuda
5,074,574 A	12/1991	Carwin
5,580,184 A	12/1996	Riccitelli
D388,750 S	1/1998	Williams
5,743,671 A	4/1998	Williams
D393,998 S	5/1998	Anderson
D407,301 S	3/1999	Donalies
D413,842 S	9/1999	Garven, Jr.

D423,993 S	5/2000	Slagerman	
D423,994 S	5/2000	Helwig	
D452,665 S	1/2002	Yeh	
6,520,598 B1	2/2003	Cheng	
D506,419 S *	6/2005	Coster	D12/133
D553,971 S *	10/2007	Krueger	D8/396
D573,861 S	7/2008	Hammer	
D577,634 S	9/2008	Lundh	
D583,640 S *	12/2008	Gilham	D8/73
D631,403 S	1/2011	Knopf	
D643,281 S *	8/2011	Roberts	D8/394

(Continued)

Primary Examiner — Charles Hanson

(74) *Attorney, Agent, or Firm* — Fitch, Even, Tabin & Flannery LLP

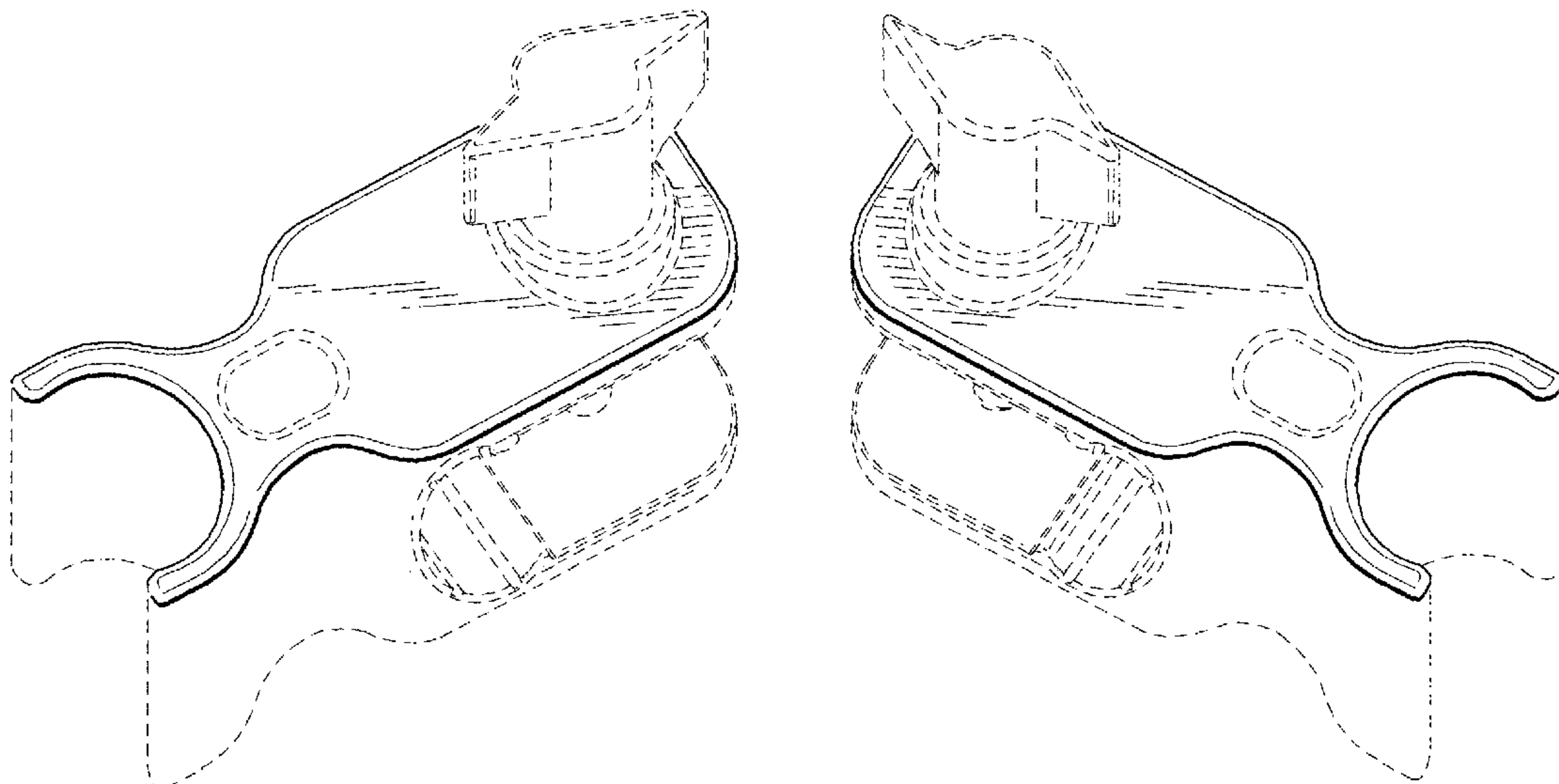
(57) **CLAIM**

We claim the ornamental design for a leg rigging clip, as shown and described.

DESCRIPTION

FIG. 1 is a perspective view of a leg rigging clip in accordance with a first embodiment of our new design; FIG. 2 is a top plan view thereof; FIG. 3 is a front elevational view thereof; FIG. 4 is a rear elevational view thereof; FIG. 5 is a bottom plan view thereof; FIG. 6 is a left side elevational view thereof; FIG. 7 is a right side elevational view thereof; FIG. 8 is a perspective view of a leg rigging clip in accordance with a second embodiment of our new design; FIG. 9 is a top plan view thereof; FIG. 10 is a front elevational view thereof; FIG. 11 is a rear elevational view thereof; FIG. 12 is a bottom plan view thereof; FIG. 13 is a right side elevational view thereof; and, FIG. 14 is a left side elevational view thereof. The broken lines depict unclaimed environmental subject matter and form no part of the claim.

1 Claim, 4 Drawing Sheets



(56)

References Cited

U.S. PATENT DOCUMENTS

D656,811 S *	4/2012	Giordano	D8/349
D690,190 S *	9/2013	McGrath	D8/394
D701,795 S	4/2014	Brown, Jr.	
D720,664 S *	1/2015	Wang	D12/133
D727,216 S *	4/2015	Brown, Jr.	D12/133
D727,217 S *	4/2015	Brown, Jr.	D12/133
D730,708 S *	6/2015	Spector	D8/73
D743,244 S *	11/2015	Anderson	D8/394
D763,060 S *	8/2016	Remmel	D8/349
D765,564 S *	9/2016	Stierli	D12/133

* cited by examiner

FIG. 1

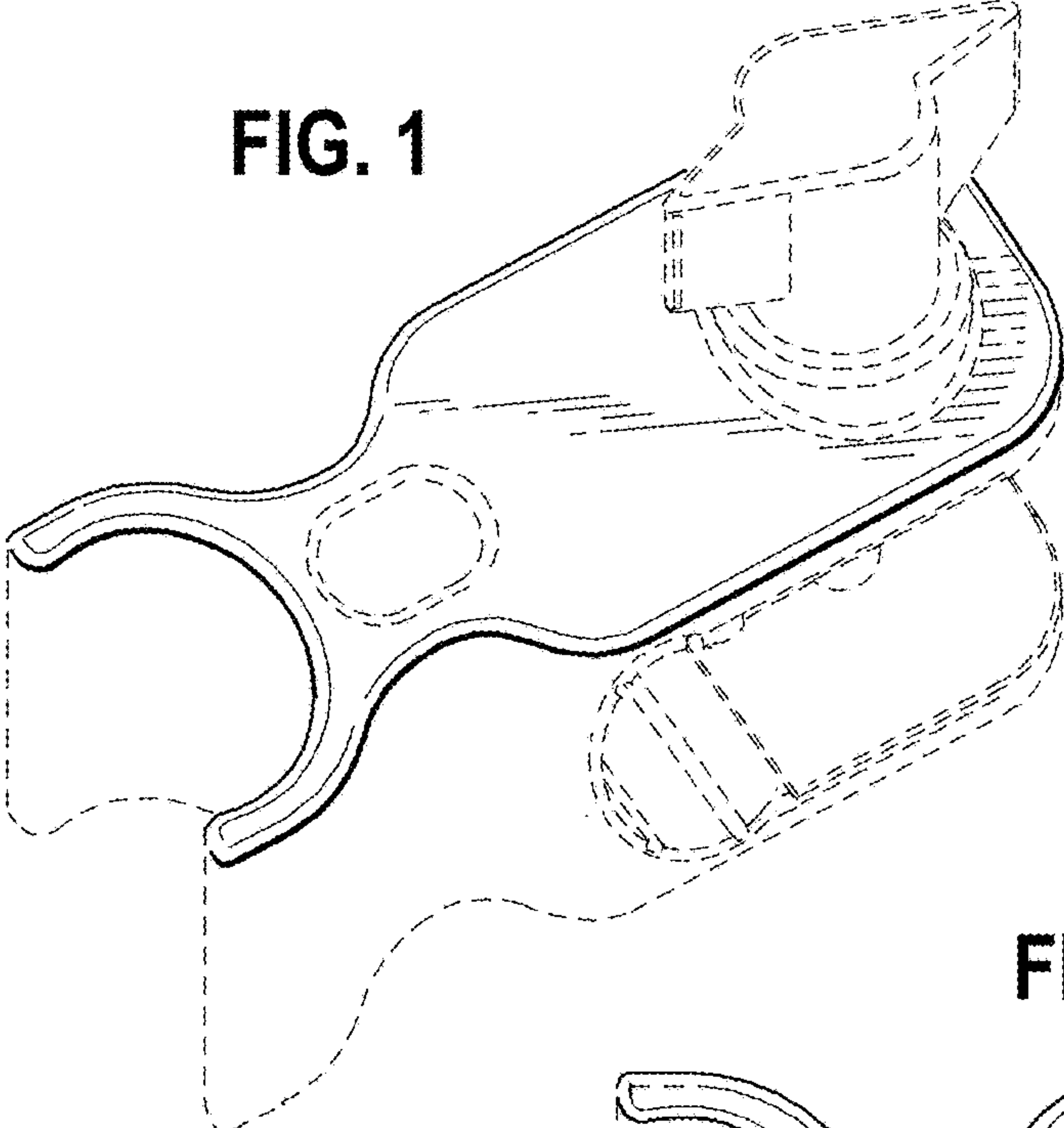


FIG. 2

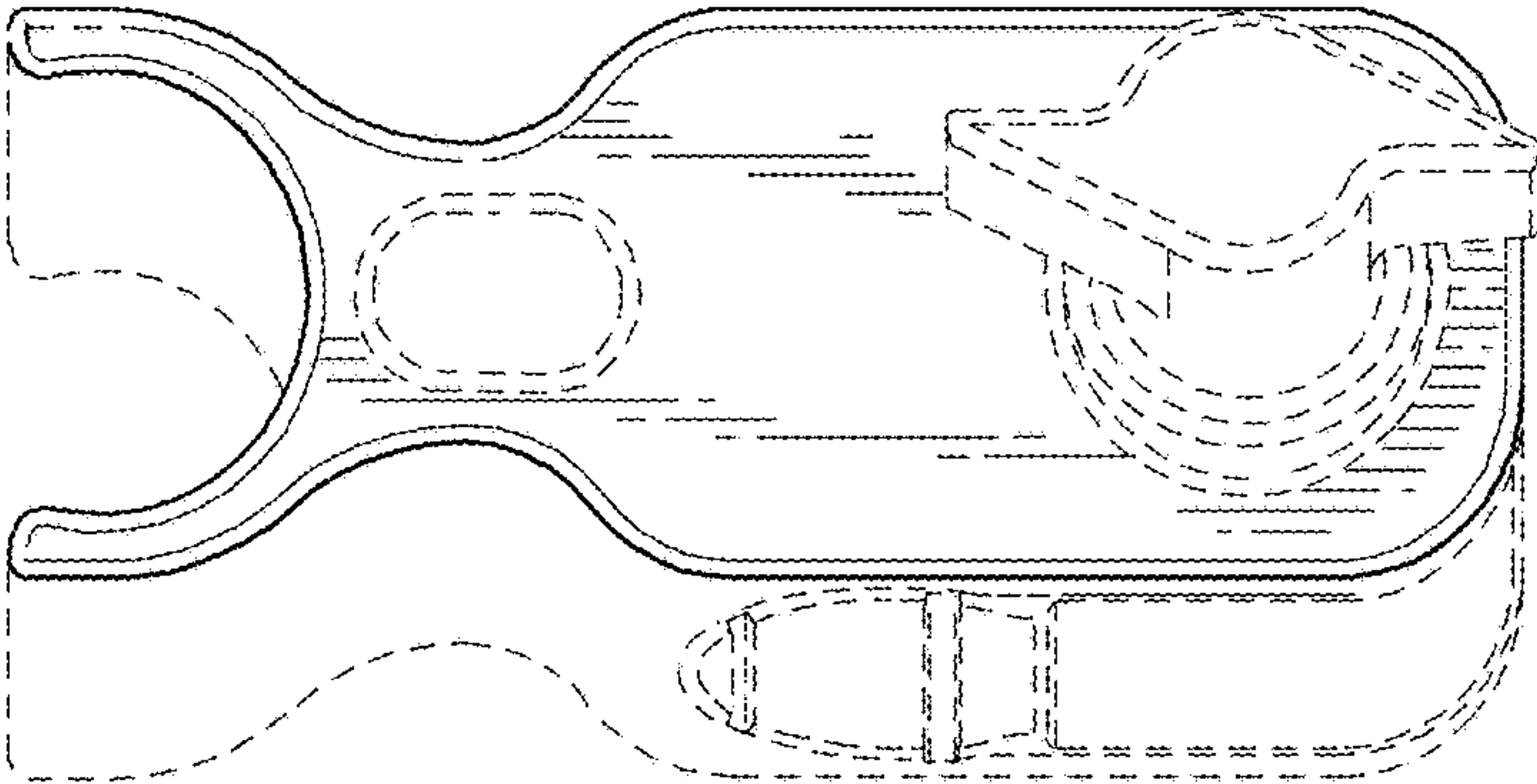


FIG. 3

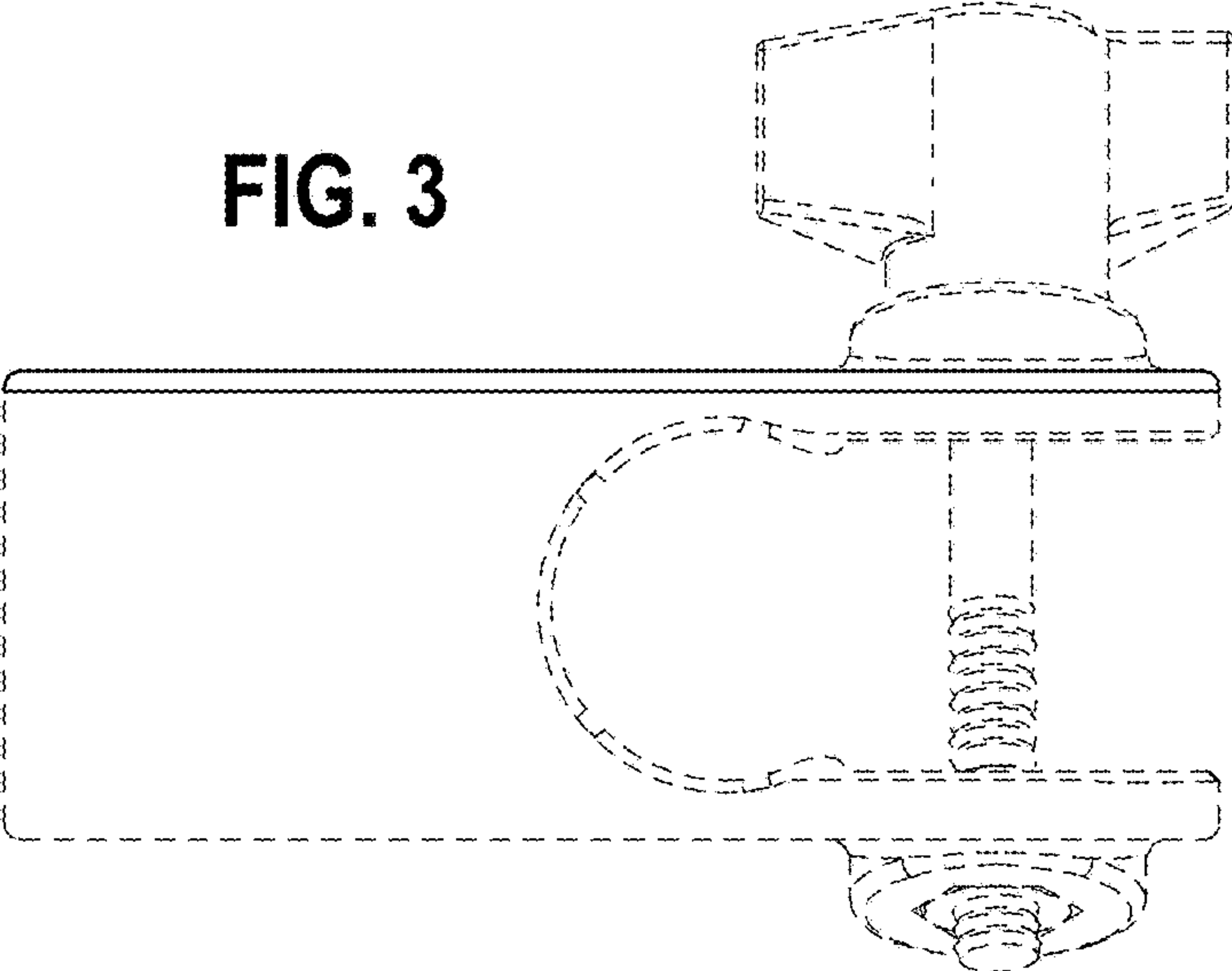


FIG. 4

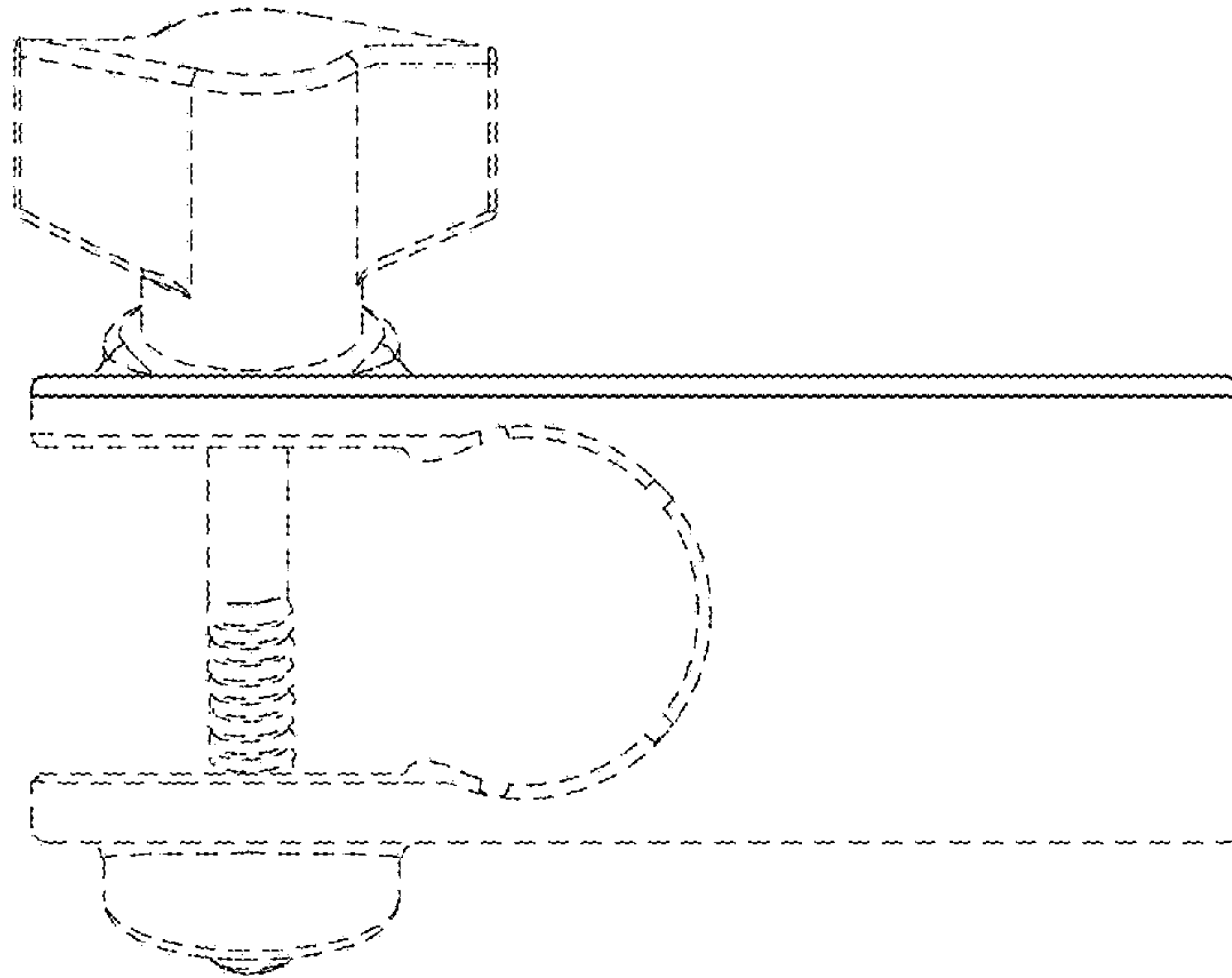


FIG. 5

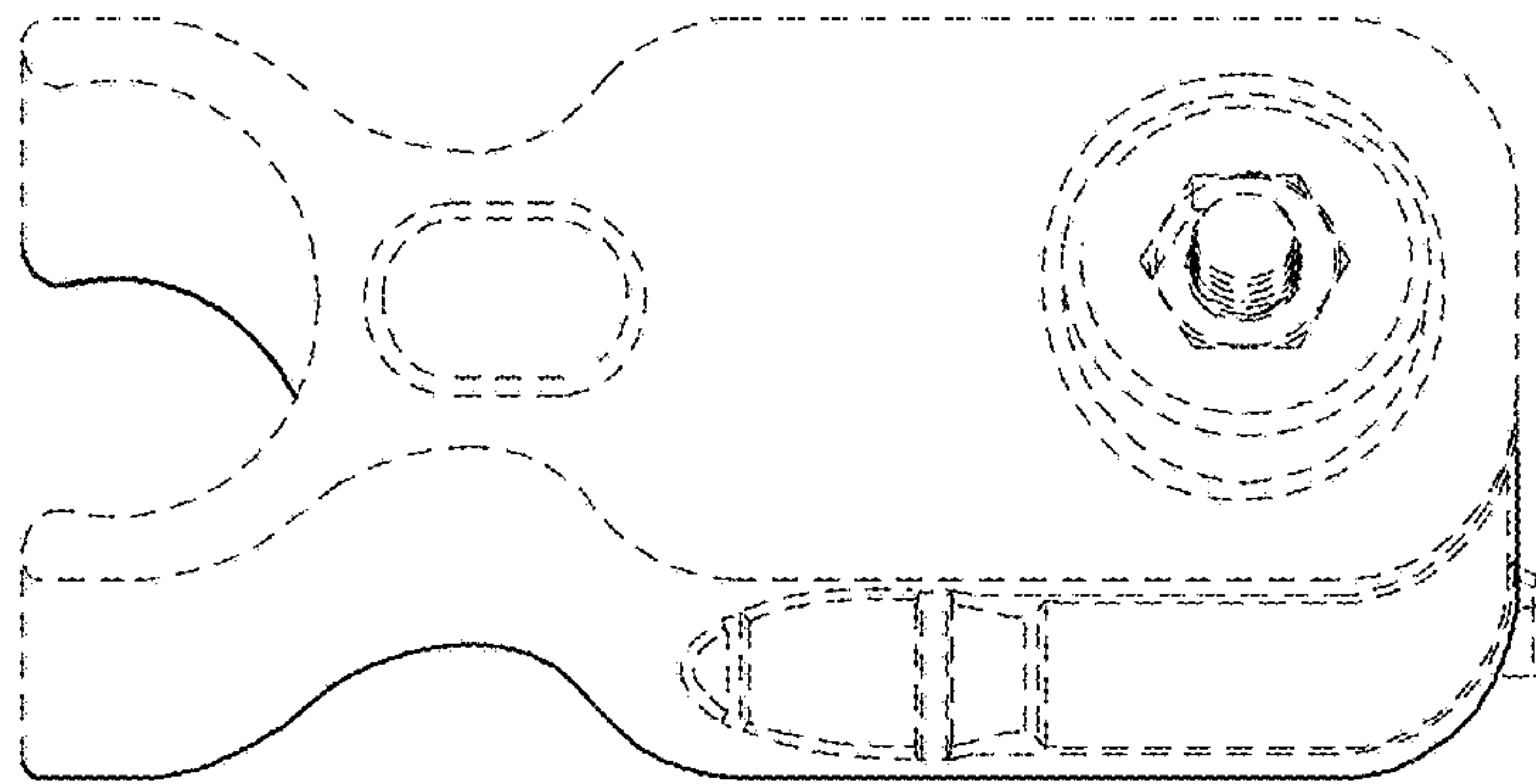


FIG. 6

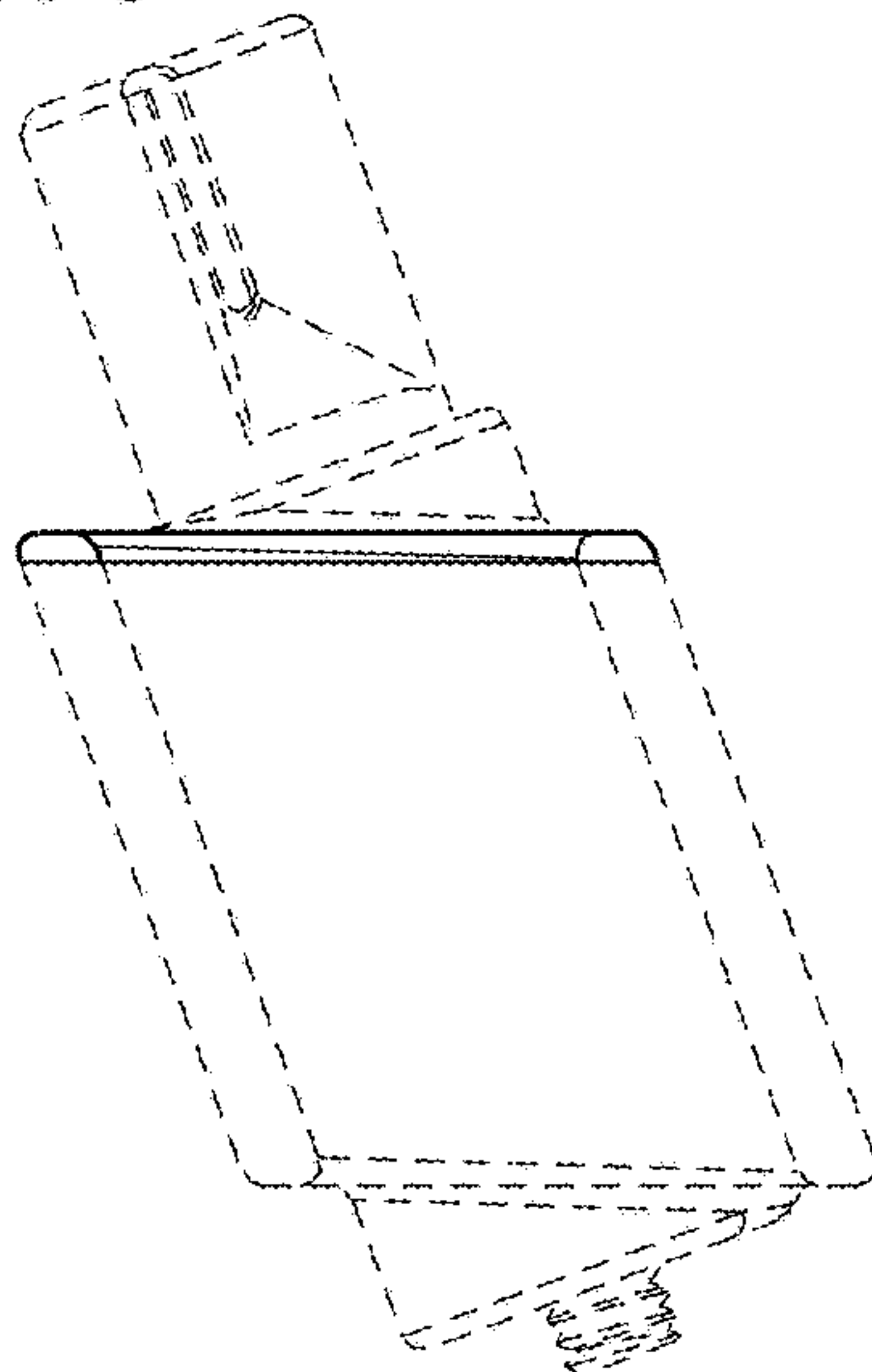
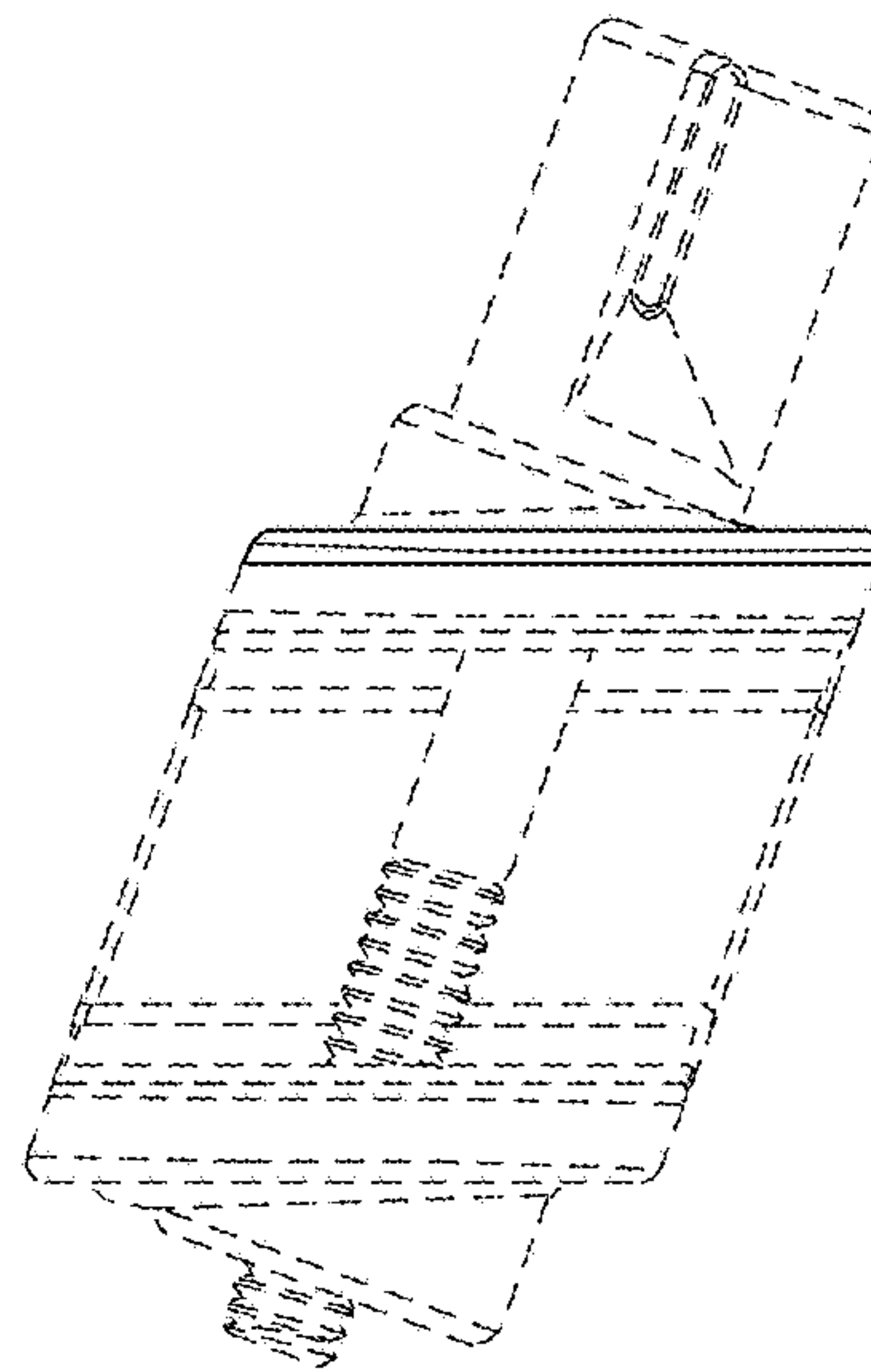


FIG. 7



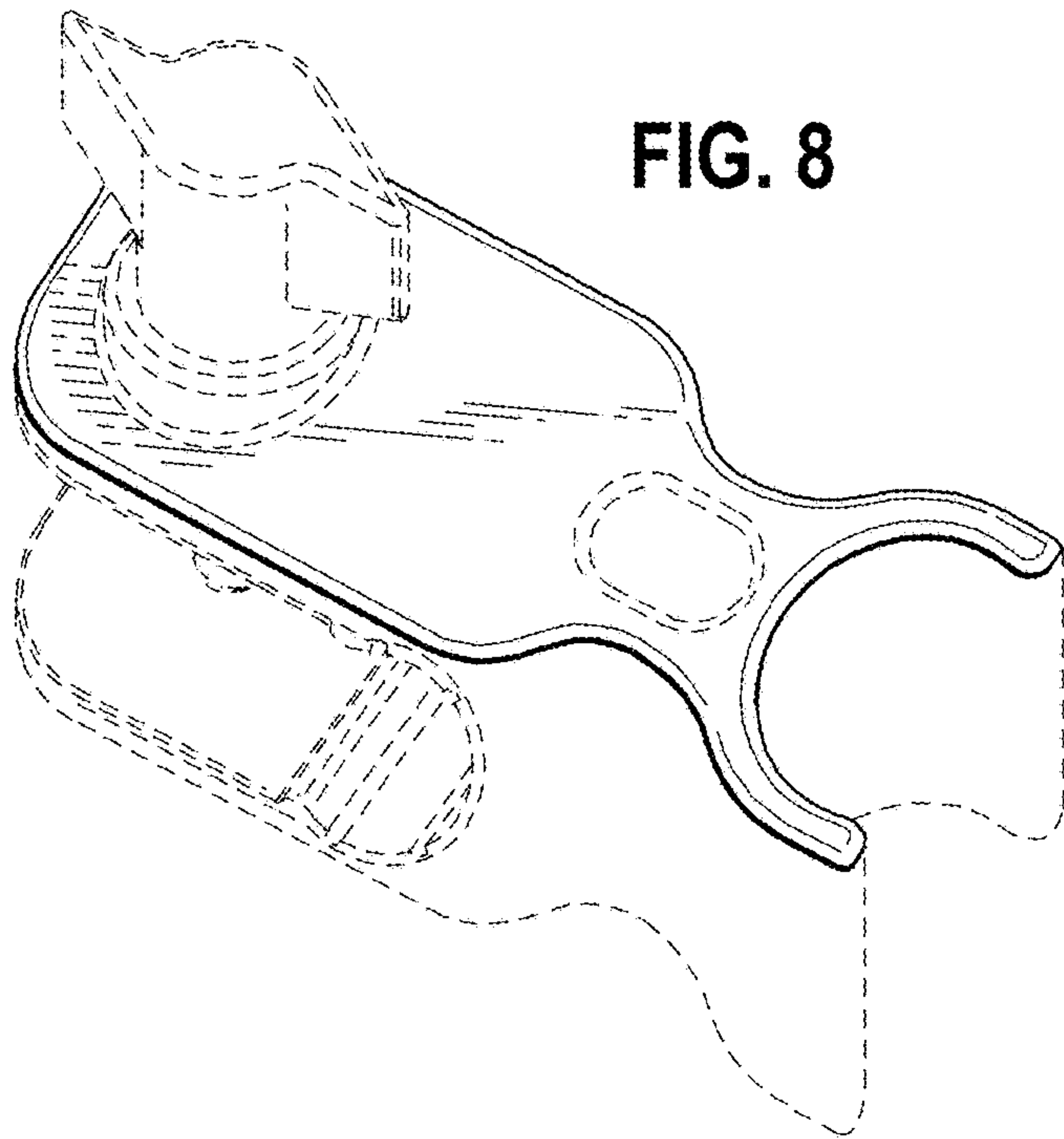


FIG. 8

FIG. 9

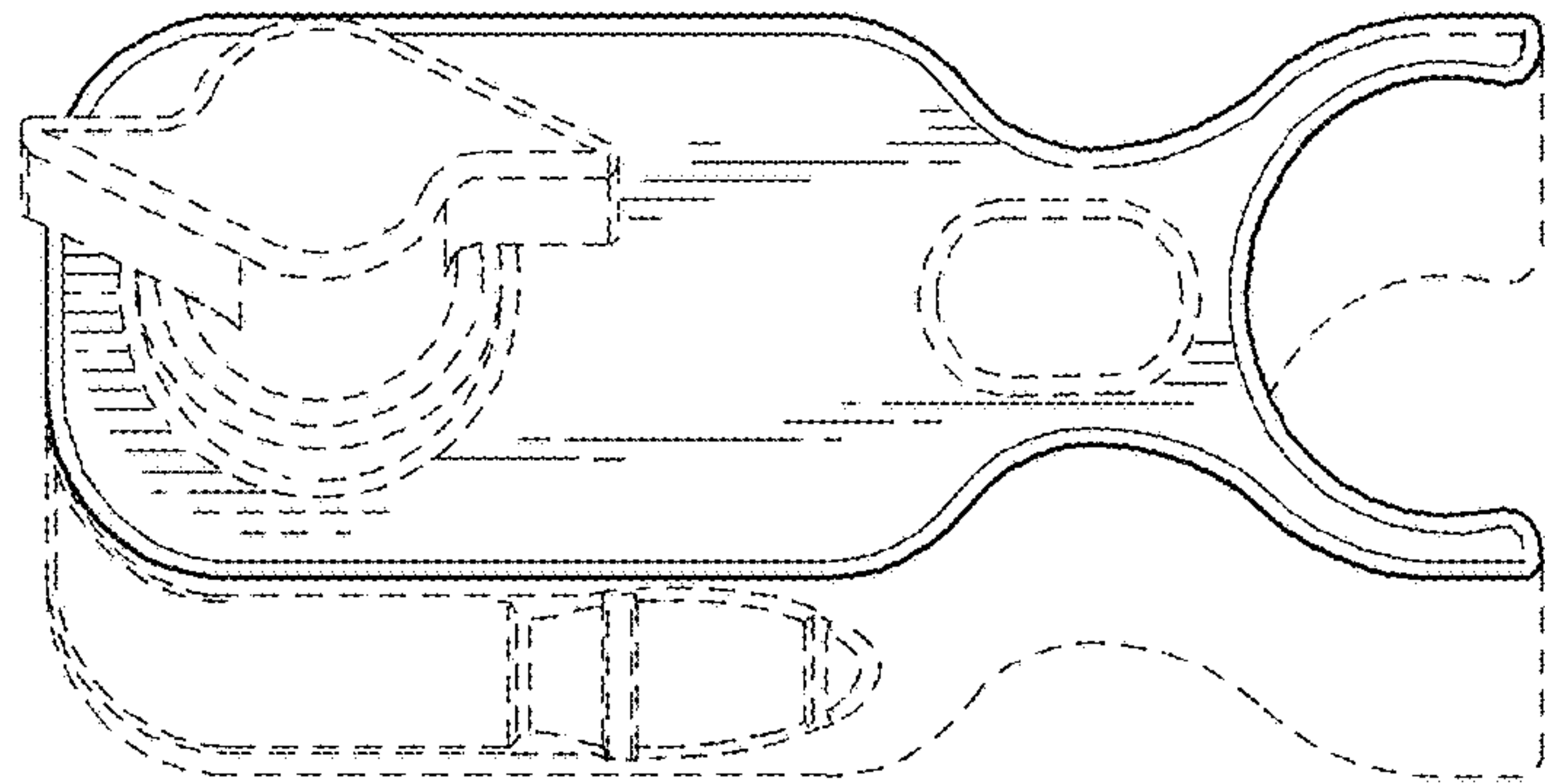


FIG. 10

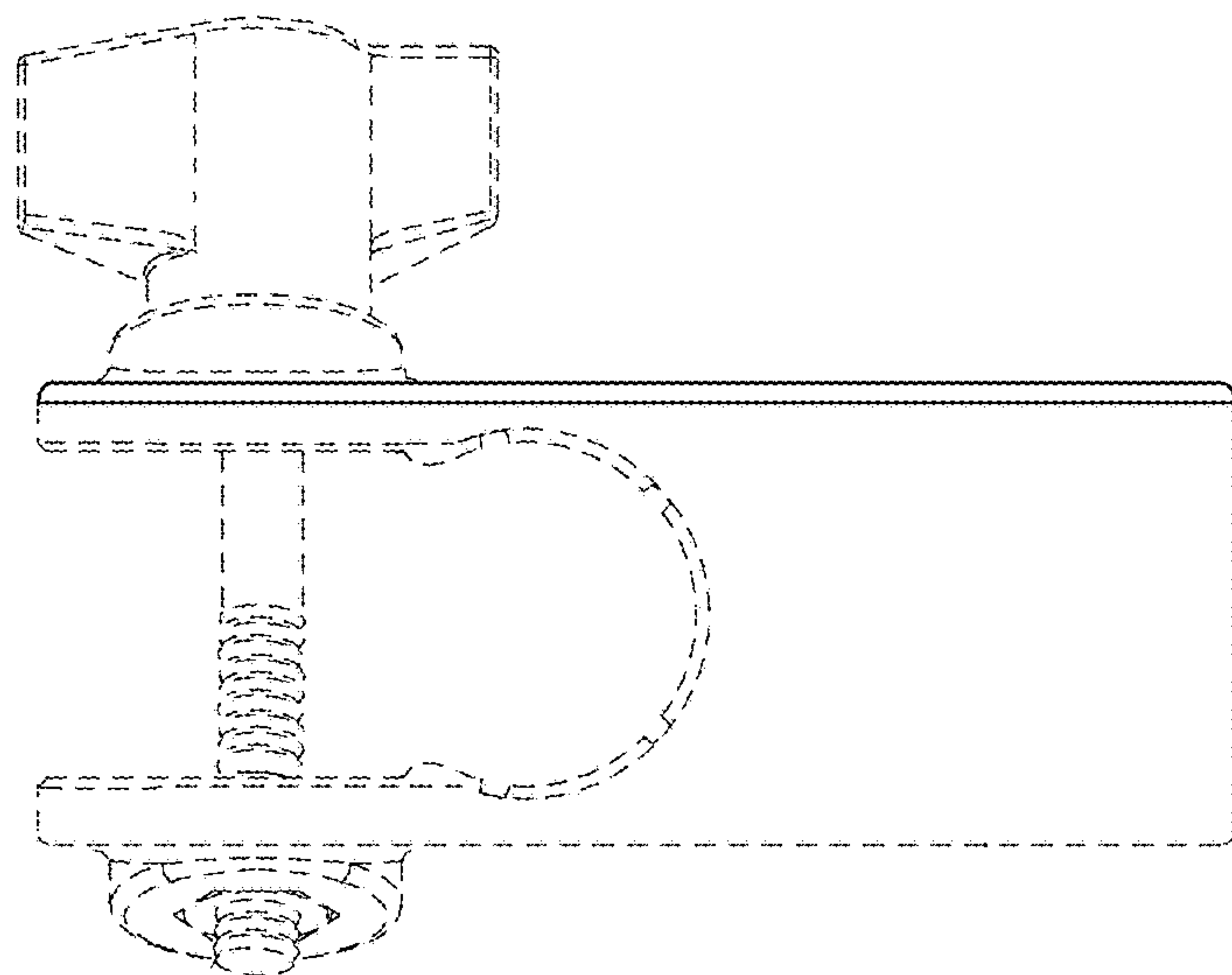


FIG. 11

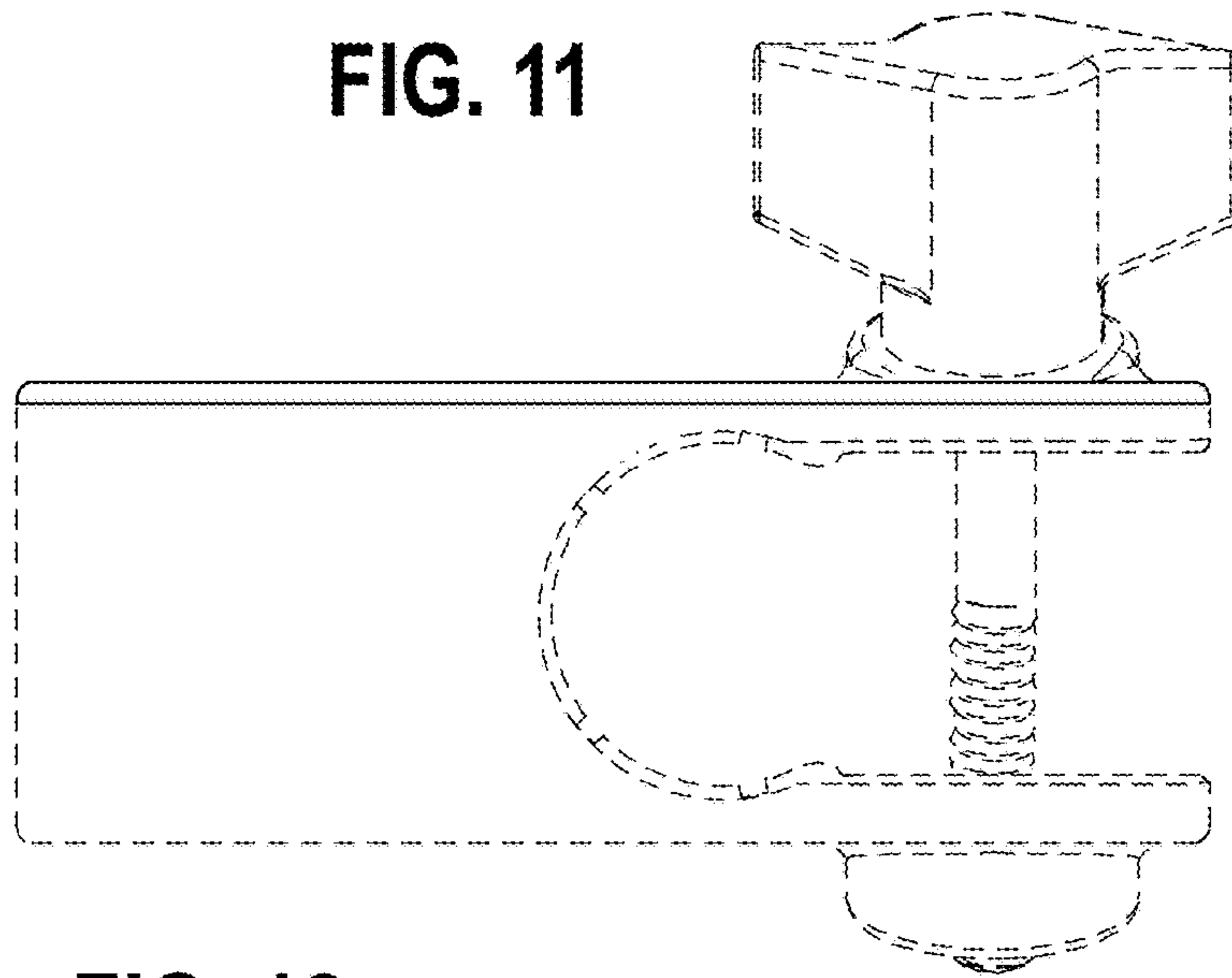


FIG. 12

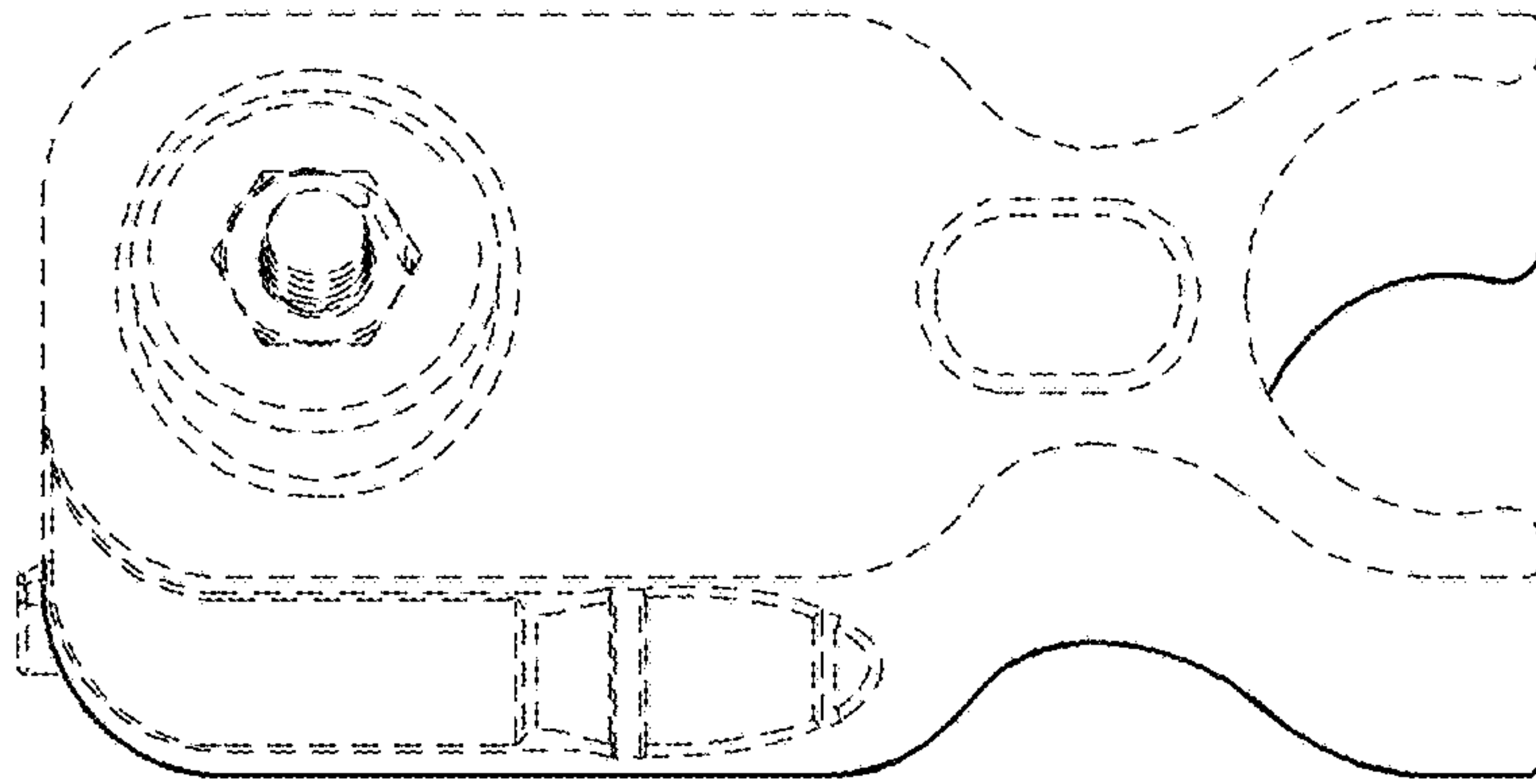


FIG. 13

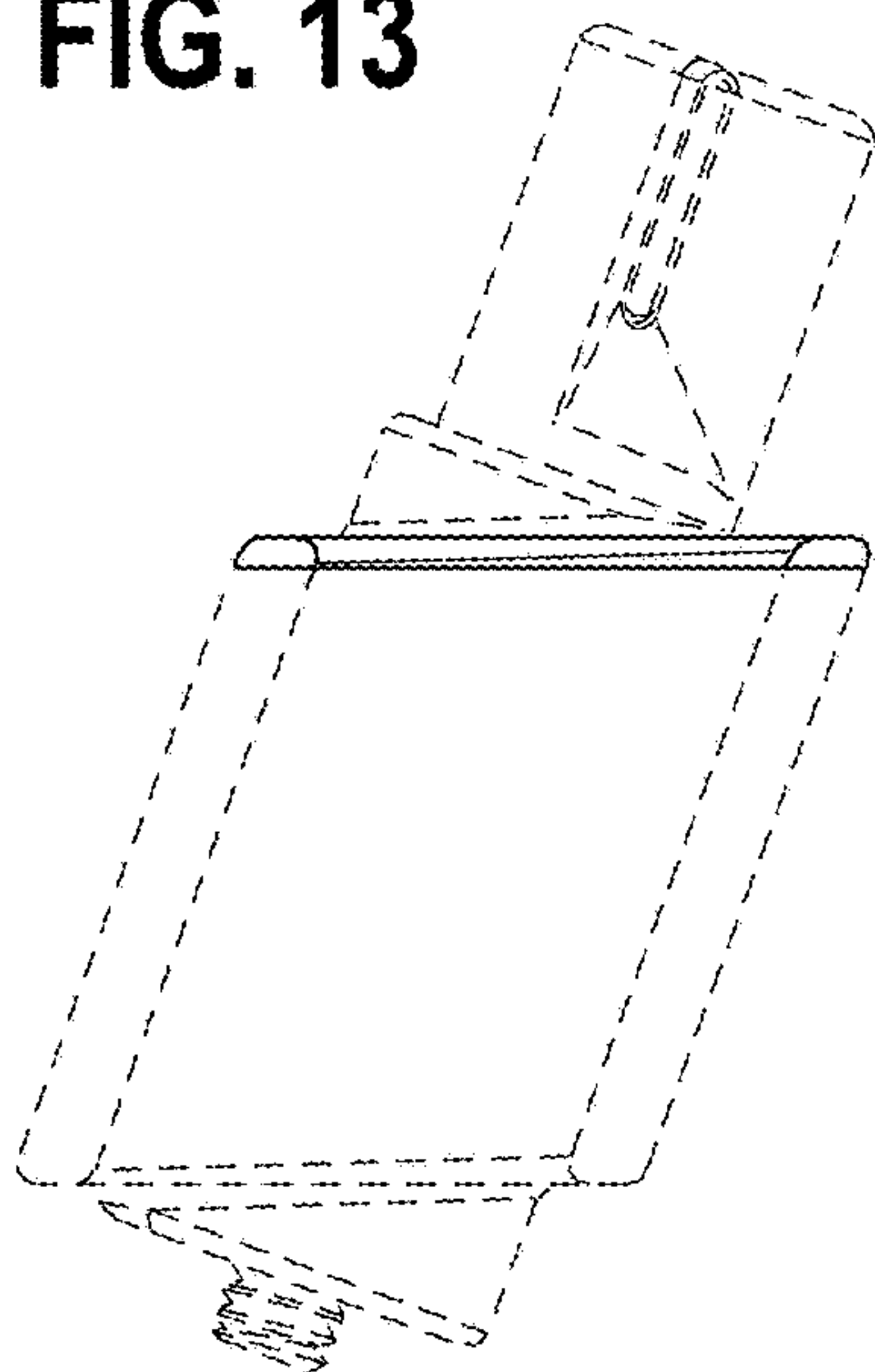


FIG. 14

