



US00D791648S

(12) **United States Design Patent**
Choi

(10) **Patent No.:** **US D791,648 S**

(45) **Date of Patent:** **** Jul. 11, 2017**

(54) **BICYCLE**

(71) Applicant: **MANDO CORPORATION,**
Gyeonggi-do (KR)

(72) Inventor: **Kangho Choi,** Seoul (KR)

(73) Assignee: **MANDO CORPORATION,**
Gyeonggi-Do (KR)

(**) Term: **15 Years**

(21) Appl. No.: **29/542,522**

(22) Filed: **Oct. 14, 2015**

(30) **Foreign Application Priority Data**

Sep. 25, 2015 (KR) 30-2015-0048897

(51) **LOC (10) Cl.** **12-11**

(52) **U.S. Cl.**
USPC **D12/111**

(58) **Field of Classification Search**
USPC D12/111, 117; D21/419, 424;
280/274-280, 281.1, 283-288,
280/288.1-288.4

CPC ... B62K 3/00; B62K 3/02; B62K 3/06; B62K
3/08; B62K 9/00; B62K 15/00; B62K
15/006; B62K 15/008; B62K 17/00
See application file for complete search history.

(56) **References Cited**

U.S. PATENT DOCUMENTS

D466,839 S * 12/2002 Ou D12/110
6,588,787 B2 * 7/2003 Ou B62K 15/008
180/220

D498,438 S * 11/2004 Ying D12/111
D503,362 S * 3/2005 Zhu D12/111
D620,400 S * 7/2010 Haller D12/111
D650,724 S * 12/2011 Chiang D12/111
D685,683 S * 7/2013 Shaw D12/111
D726,592 S * 4/2015 Zhang D12/107
D727,215 S * 4/2015 Yang D12/111
D746,924 S * 1/2016 Delgatty D21/423
D750,711 S * 3/2016 Delgatty D21/423
2012/0043148 A1 * 2/2012 Brady B60L 3/0069
180/206.5
2015/0060176 A1 * 3/2015 Paick B62M 6/60
180/208

* cited by examiner

Primary Examiner — Darlington Ly

(74) *Attorney, Agent, or Firm* — Ladas & Parry, LLP

(57) **CLAIM**

I claim the ornamental design for a bicycle, as shown and described.

DESCRIPTION

FIG. 1 is a top, front and right-side perspective view of a bicycle showing my new design;
FIG. 2 is a right-side elevation view thereof;
FIG. 3 is a left-side elevation view thereof;
FIG. 4 is a front elevation view thereof;
FIG. 5 is a rear elevation view thereof;
FIG. 6 is a top plan view thereof; and,
FIG. 7 is a bottom plan view thereof.

1 Claim, 7 Drawing Sheets

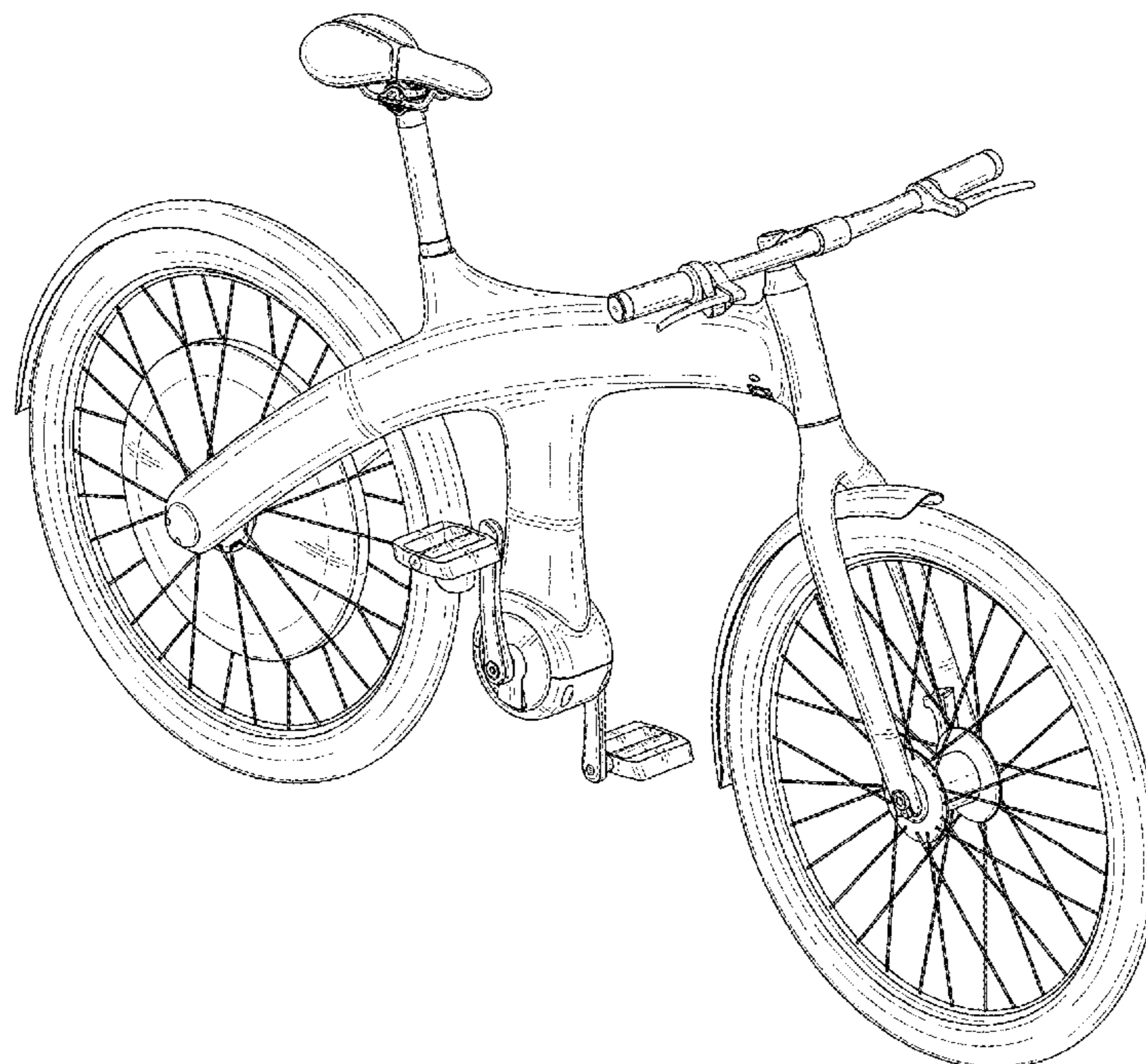


FIG. 1

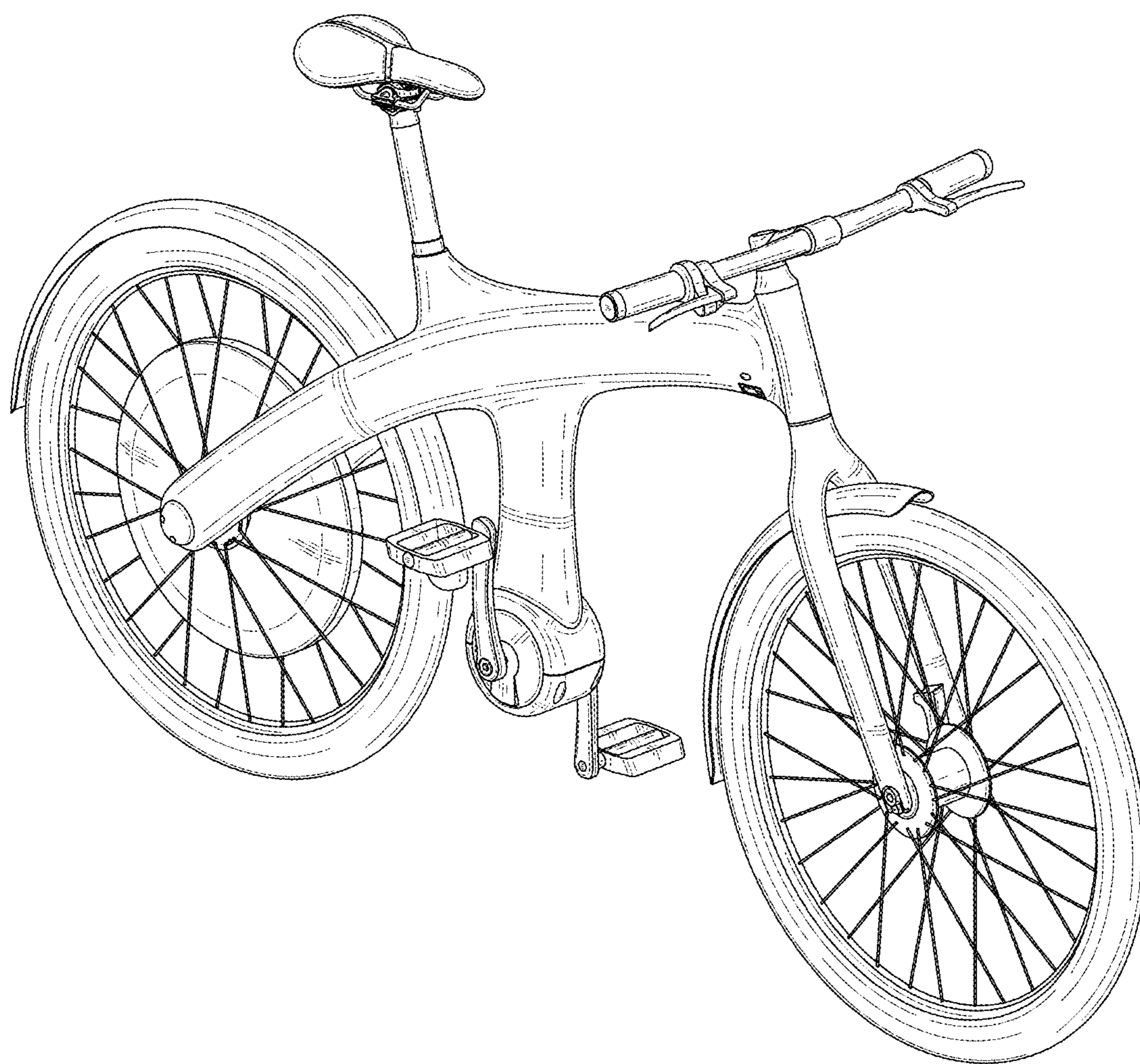


FIG. 2

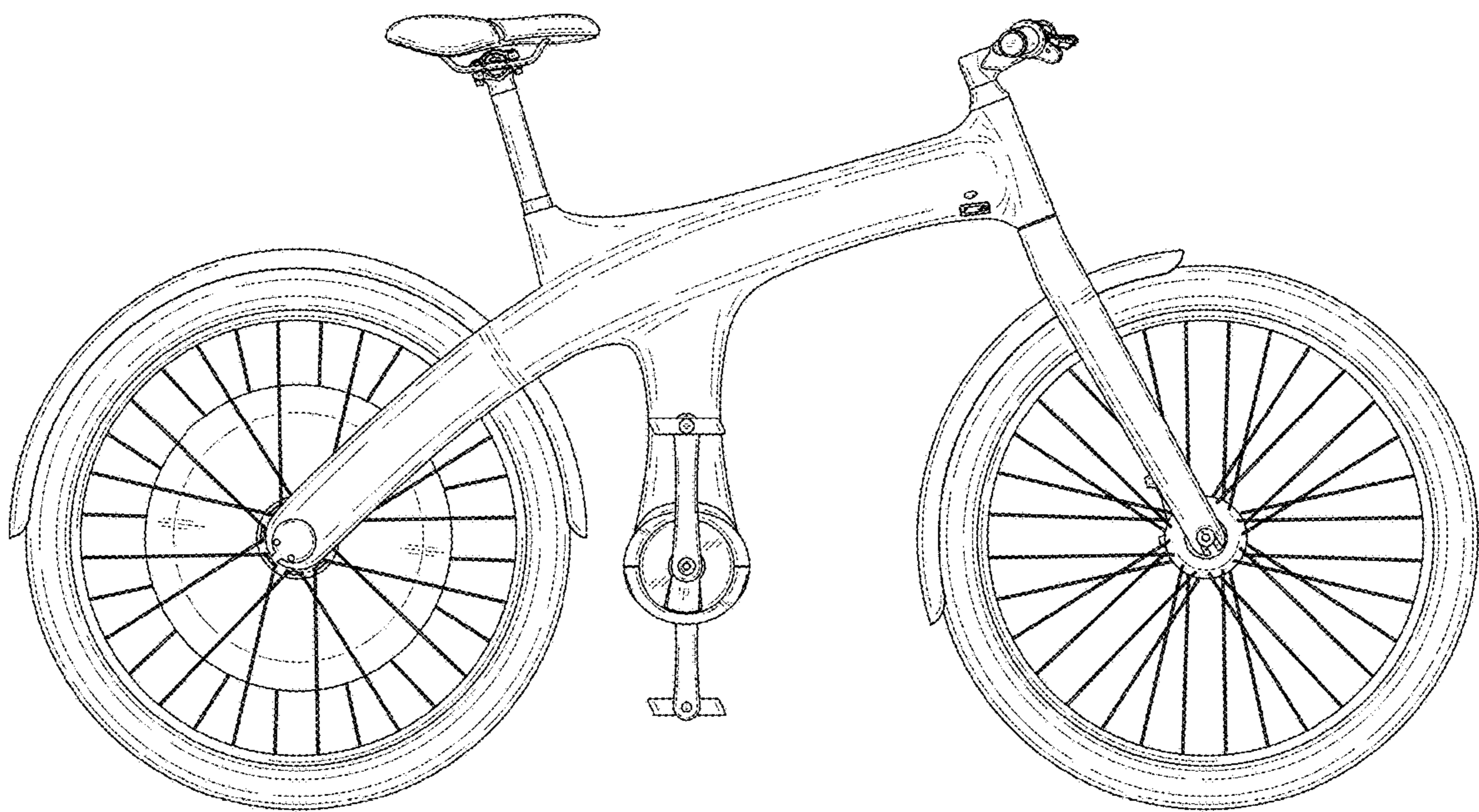


FIG. 3

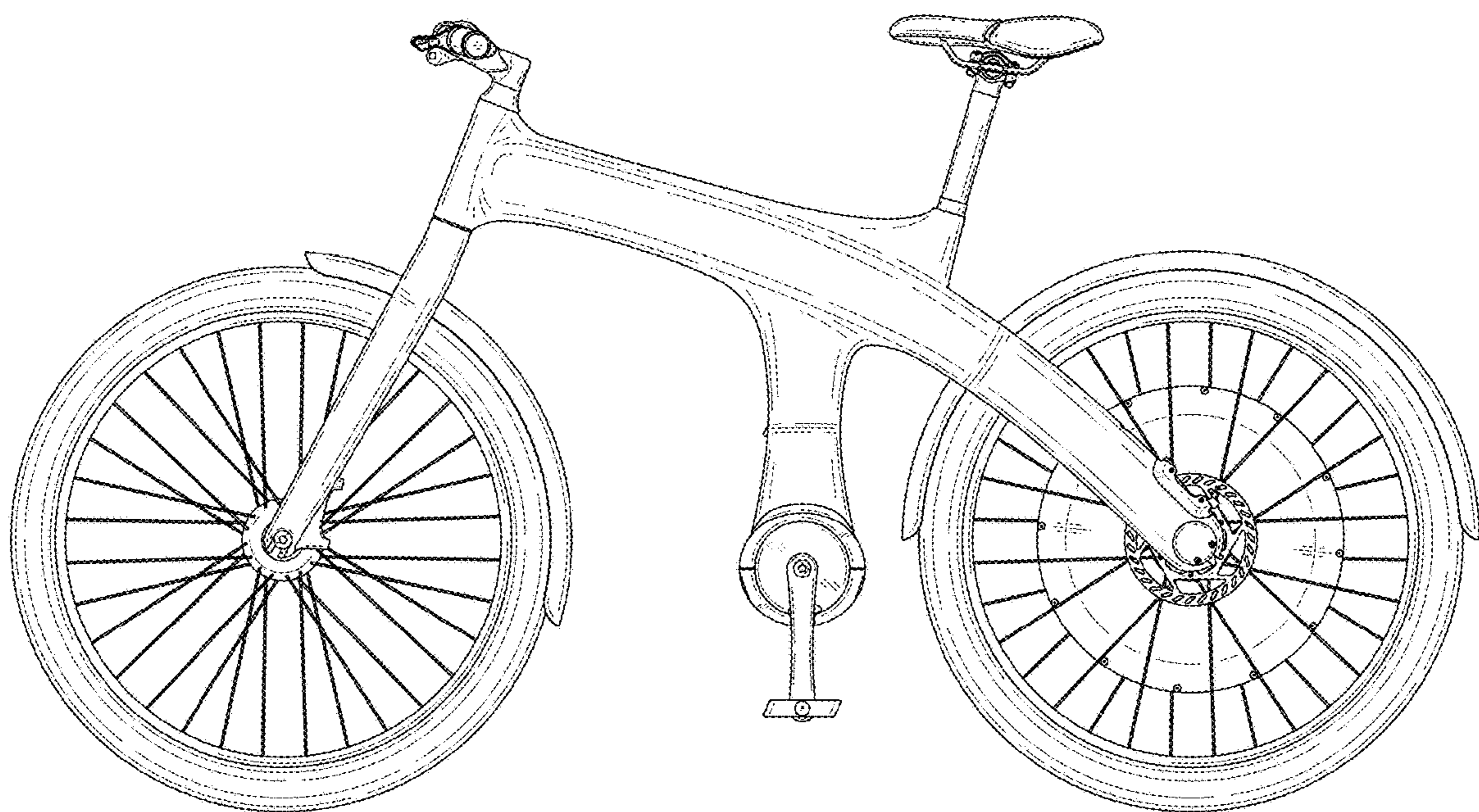


FIG. 5

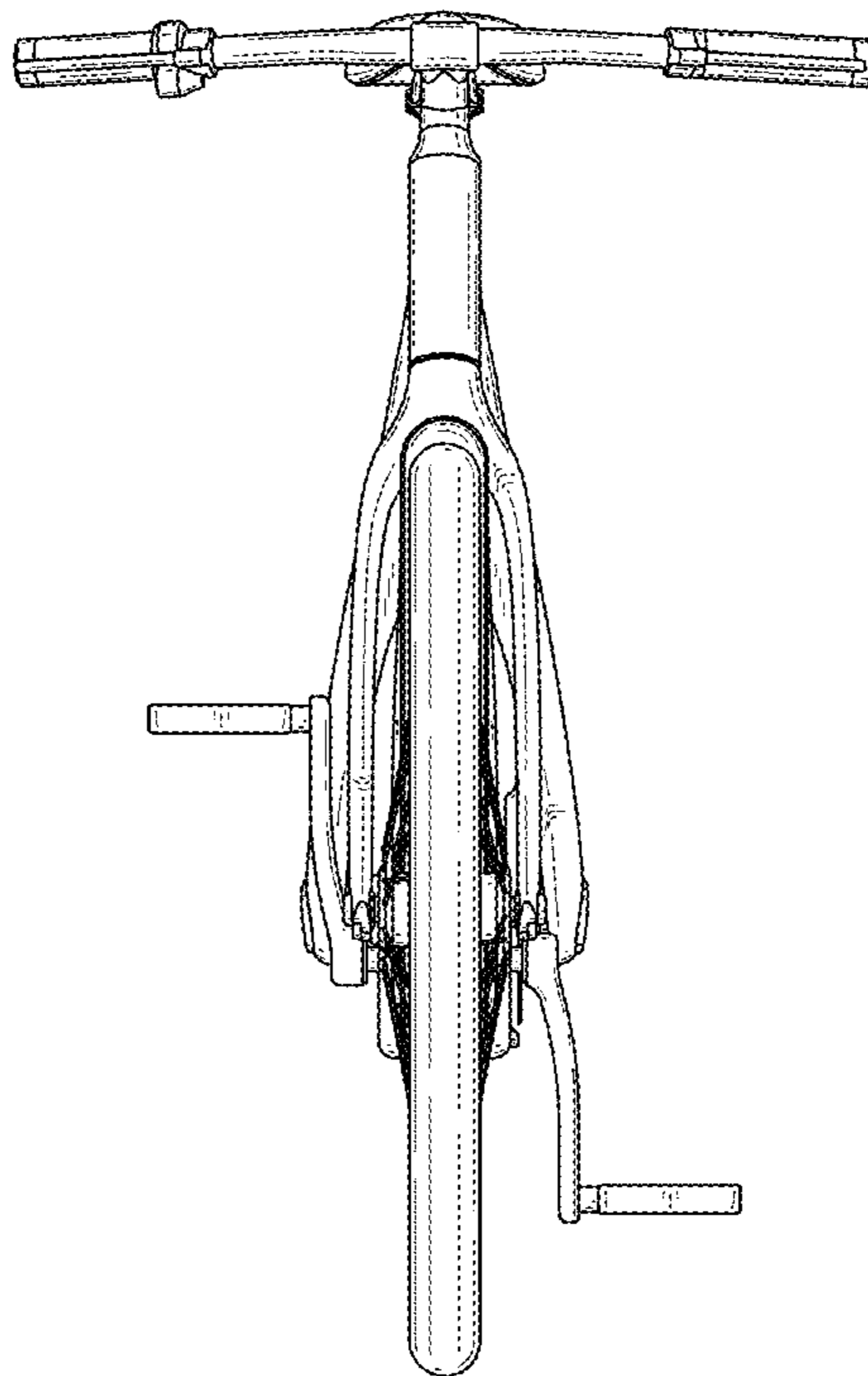


FIG. 6

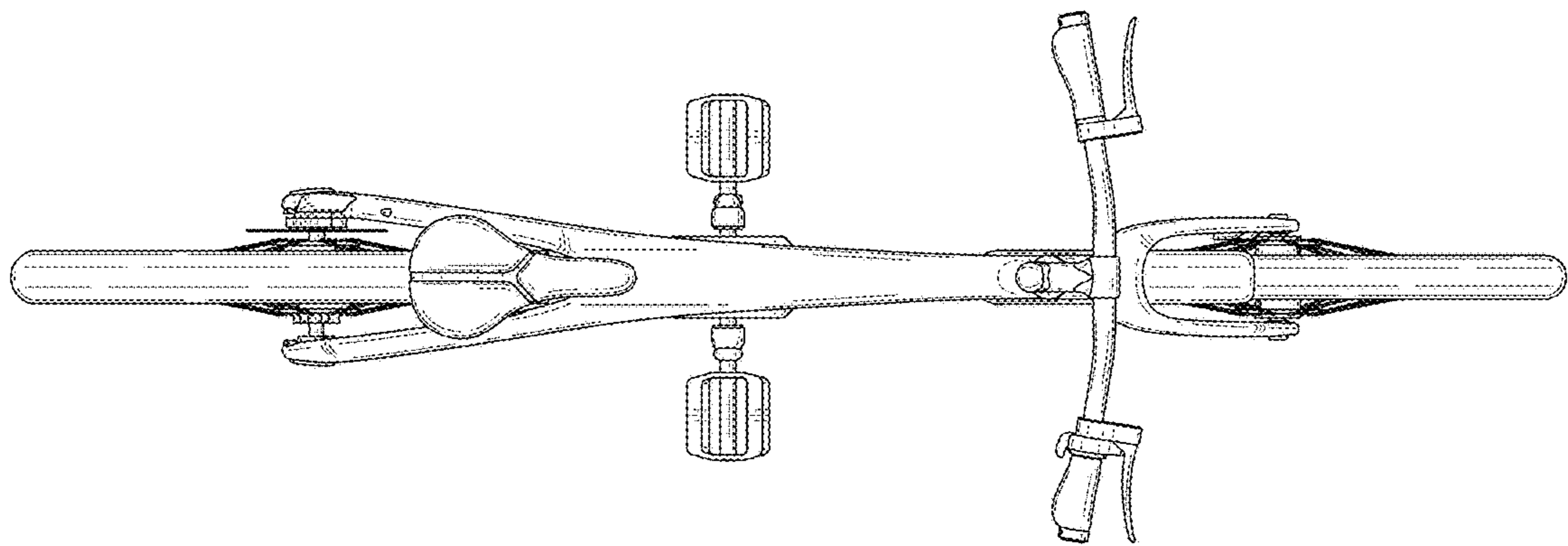


FIG. 7

