



US00D791647S

(12) **United States Design Patent**  
**Li et al.**

(10) **Patent No.:** **US D791,647 S**  
(45) **Date of Patent:** **\*\* Jul. 11, 2017**

(54) **ELECTRIC THREE WHEEL MOTORCYCLE**

(71) Applicants: **Guande Li**, Shengzhou (CN);  
**Hongliang Chen**, Shengzhou (CN)

(72) Inventors: **Guande Li**, Shengzhou (CN);  
**Hongliang Chen**, Shengzhou (CN)

(73) Assignee: **SHENGZHOU ZHONGGONG**  
**ELECTRICAL CO., LTD**, Shengzhou  
(CN)

(\*\*) Term: **15 Years**

(21) Appl. No.: **29/555,639**

(22) Filed: **Feb. 24, 2016**

(30) **Foreign Application Priority Data**

Oct. 21, 2015 (CN) ..... 2015 3 0406860

(51) **LOC (10) Cl.** ..... **12-11**

(52) **U.S. Cl.**  
USPC ..... **D12/107; D12/112**

(58) **Field of Classification Search**  
USPC ..... D12/85, 86, 107, 110, 112, 131;  
D21/424, 433, 434; 180/65.1, 210-212,  
180/311, 312, 908; 280/181.1, 181.5;  
296/88, 264, 267, 288.1  
CPC ..... B62D 21/11; B62D 29/043; B62D 31/00;  
B62D 49/00; B62D 61/065; B62L 3/00;  
B62K 3/005; B62K 5/01; B62K 5/08;  
B62K 5/027  
See application file for complete search history.

(56) **References Cited**

**U.S. PATENT DOCUMENTS**

D485,788 S \* 1/2004 Guay ..... D12/107  
D547,242 S \* 7/2007 Lambri ..... B62K 5/08  
D12/110

D593,908 S \* 6/2009 Longpre ..... D12/107  
D596,081 S \* 7/2009 Longpre ..... D12/107  
D598,328 S \* 8/2009 Lambri ..... B62K 5/05  
D12/110  
D627,263 S \* 11/2010 Guay ..... D12/110  
2004/0140140 A1\* 7/2004 Guay ..... B62K 5/027  
180/210  
2005/0217909 A1\* 10/2005 Guay ..... B60K 11/04  
180/68.4  
2007/0075514 A1\* 4/2007 Saiki ..... B60G 7/00  
280/124.103  
2007/0256882 A1\* 11/2007 Bedard ..... B62K 5/027  
180/312

\* cited by examiner

*Primary Examiner* — Darlington Ly

(57) **CLAIM**

The ornamental design for an electric three wheel motorcycle, as shown and described.

**DESCRIPTION**

The patent or application file contains at least one drawing executed in color. Copies of this patent or patent application publication with color drawing(s) will be provided by the Office upon request and payment of the necessary fee.  
FIG. 1 is a front, top, and left side perspective view of an electric three wheel motorcycle showing our new design;  
FIG. 2 is a front elevation view thereof;  
FIG. 3 is a rear elevation view thereof;  
FIG. 4 is a right side elevation view thereof;  
FIG. 5 is a left side elevation view thereof;  
FIG. 6 is a top plan view thereof; and,  
FIG. 7 is a bottom plan view thereof.

**1 Claim, 7 Drawing Sheets**  
**(7 of 7 Drawing Sheet(s) Filed in Color)**





Fig.1

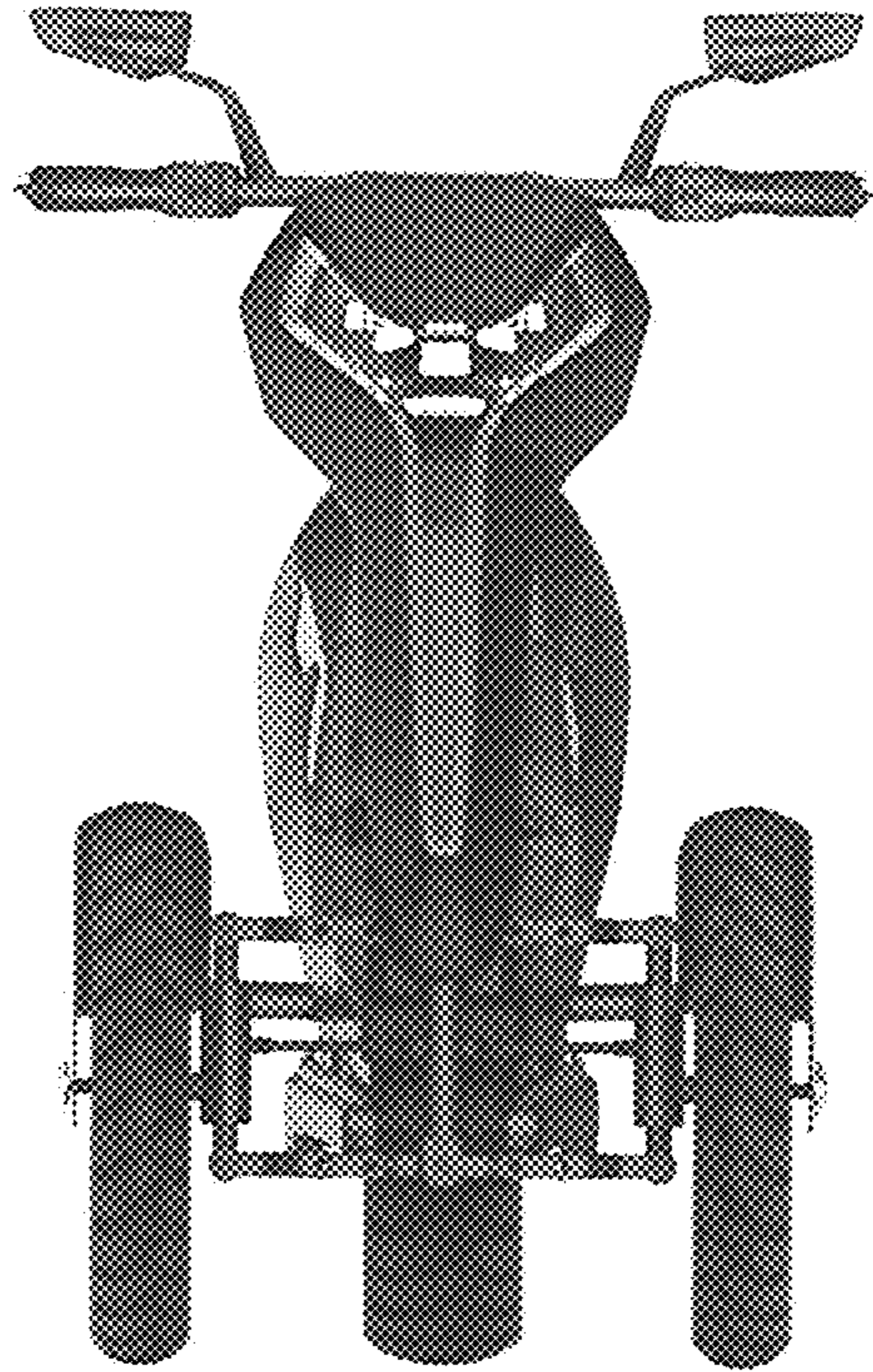


Fig. 2

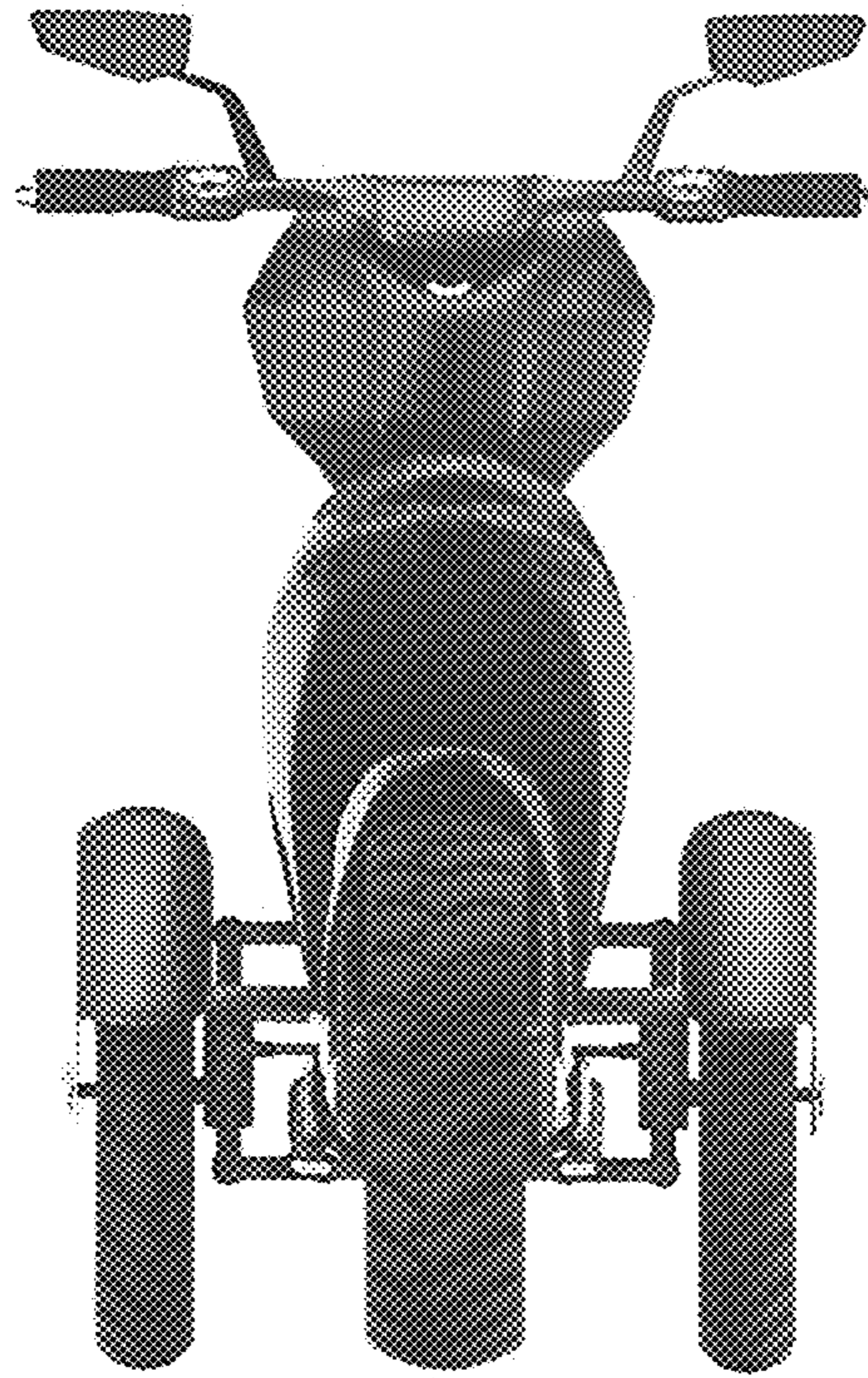


Fig. 3

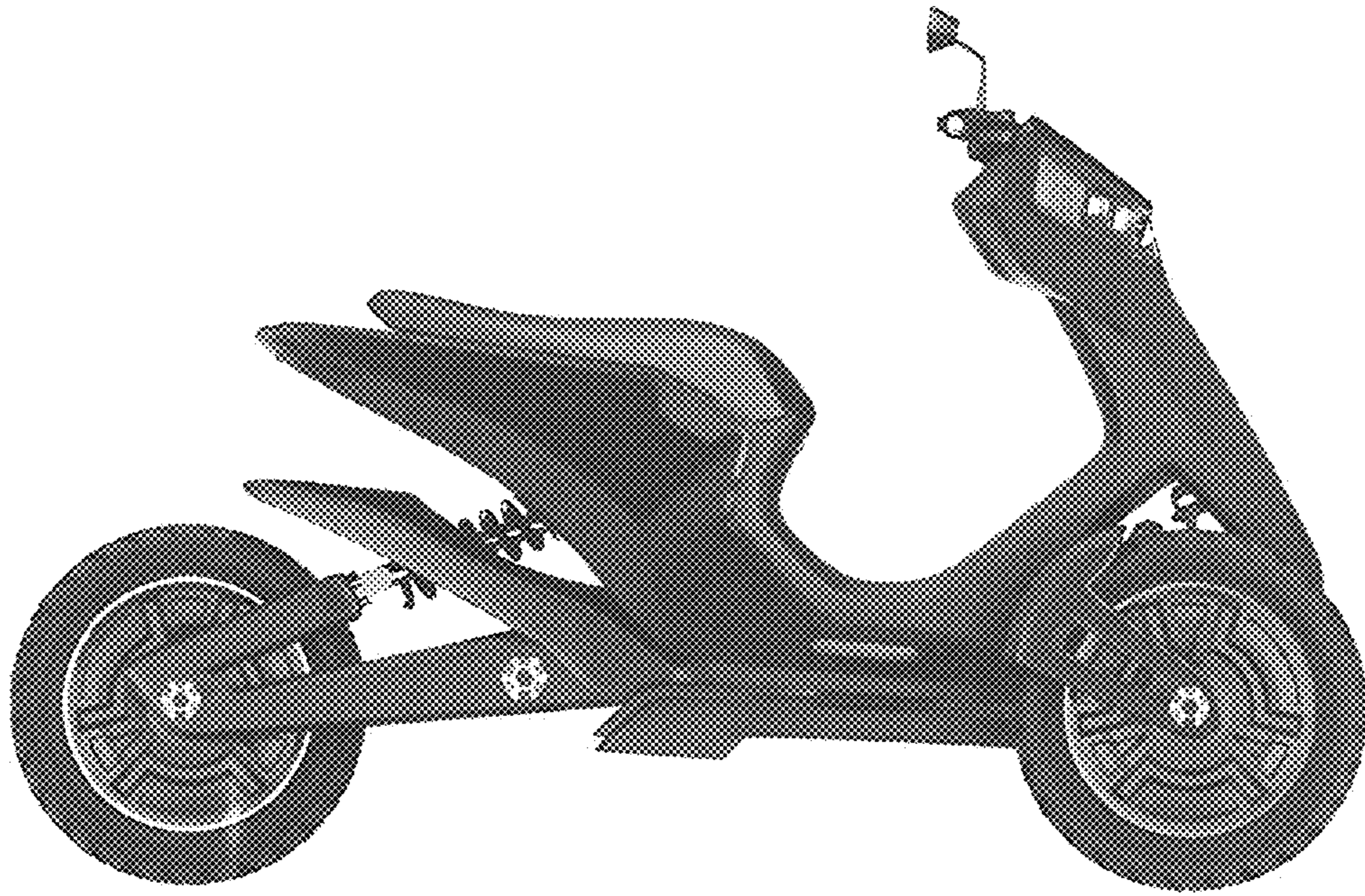


Fig. 4

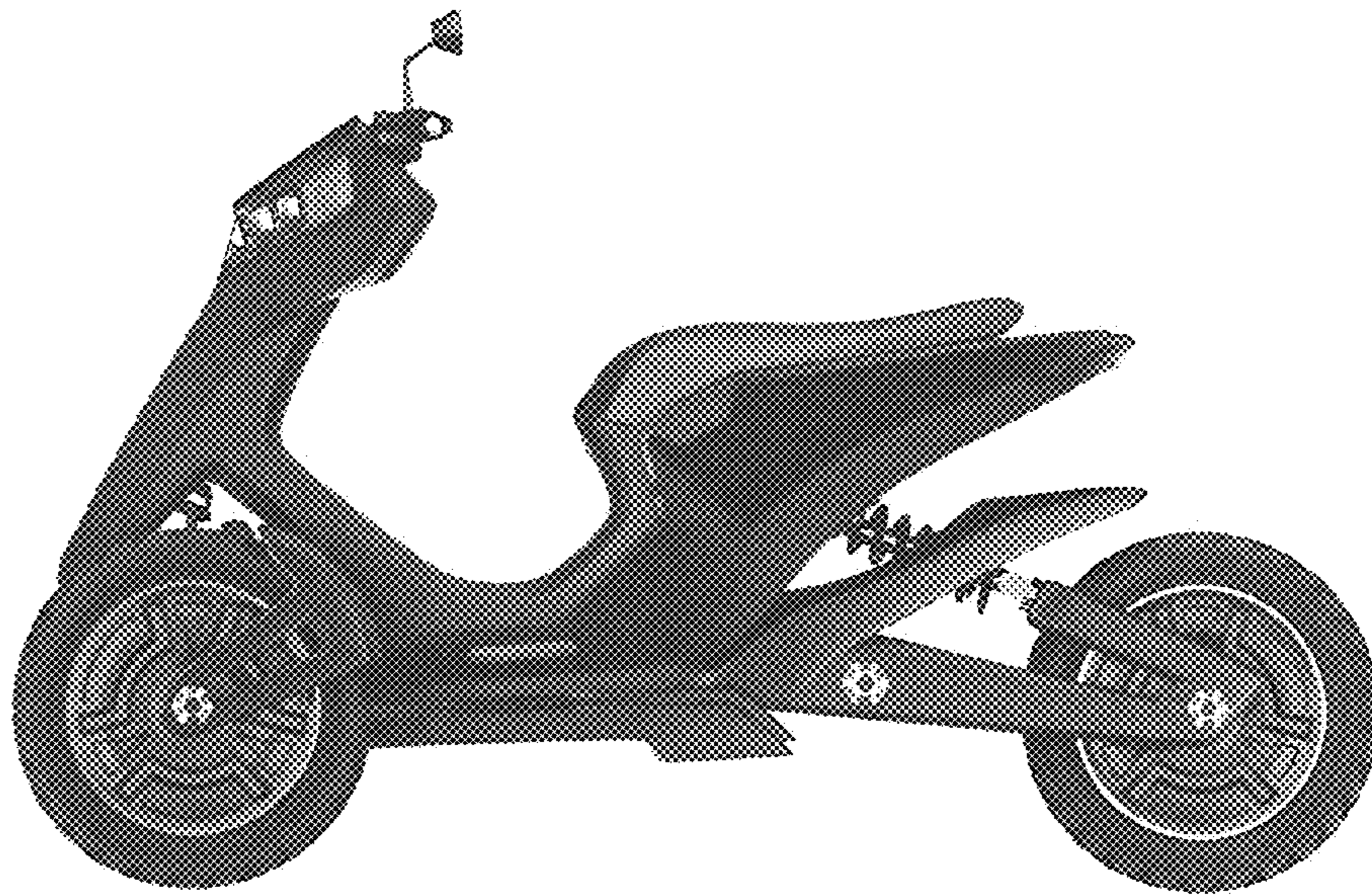


Fig. 5

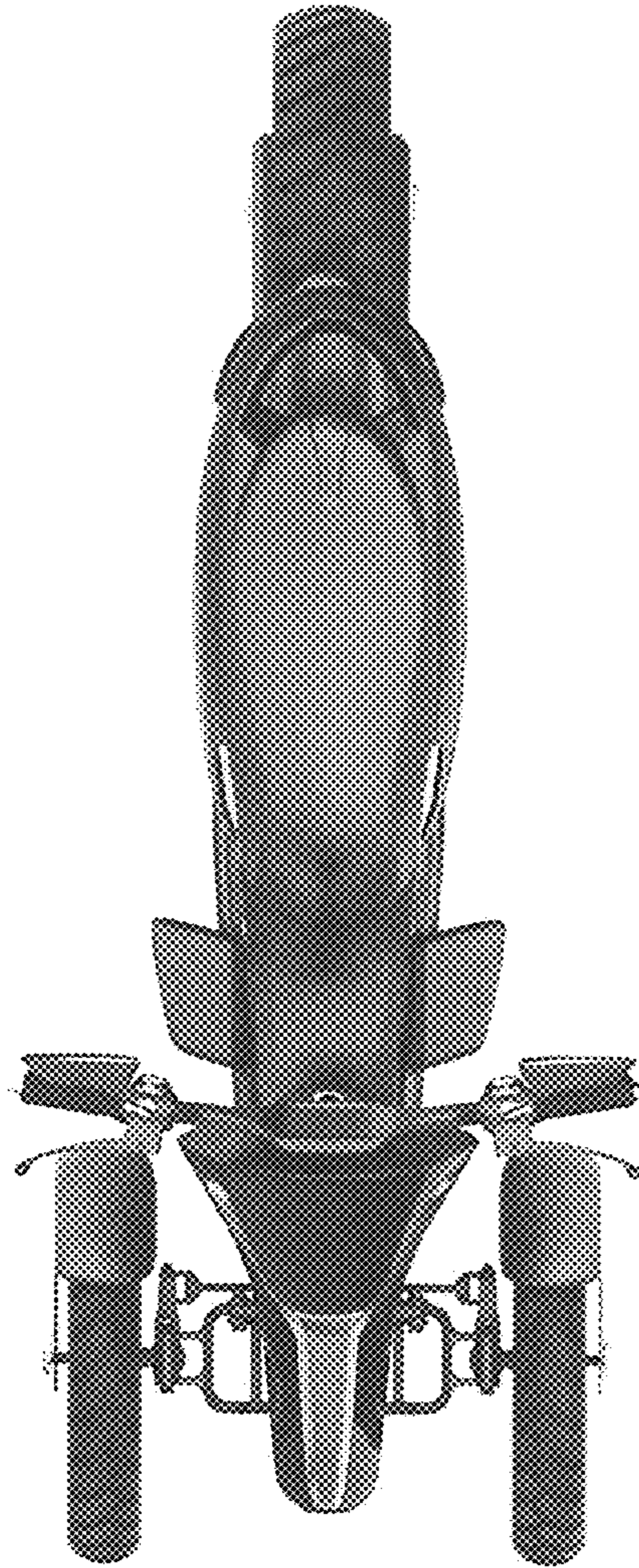


Fig. 6

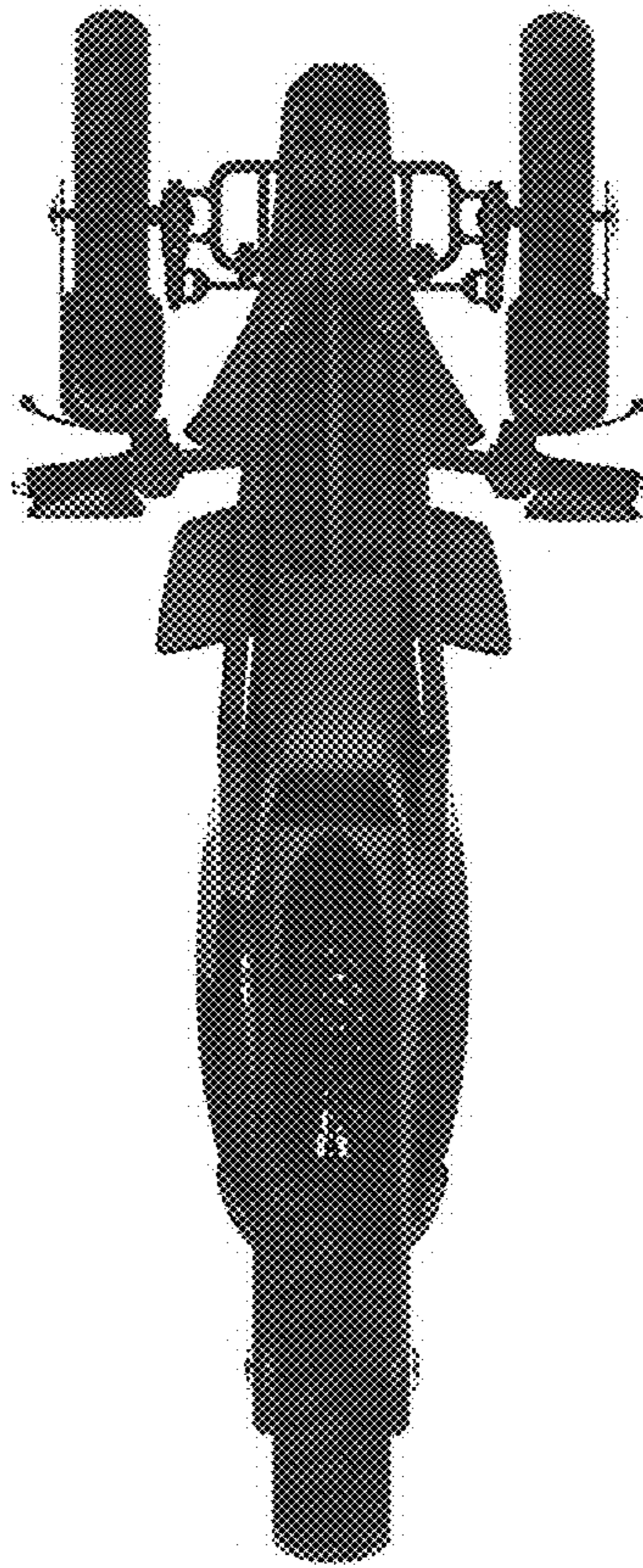


Fig. 7