



US00D791642S

(12) **United States Design Patent** (10) **Patent No.:** **US D791,642 S**
Elesmore (45) **Date of Patent:** **** *Jul. 11, 2017**

(54) **BRA ACCESSORY** 4,158,906 A * 6/1979 Watson A41F 1/00
24/306
(71) Applicant: **Lucy Elesmore**, Staffordshire (GB) D267,833 S * 2/1983 Anderson D11/202
D309,207 S * 7/1990 Sporer 24/507
(72) Inventor: **Lucy Elesmore**, Staffordshire (GB) 5,655,270 A * 8/1997 Boisvert A45F 5/02
24/301
(*) Notice: This patent is subject to a terminal disclaimer. D393,183 S * 4/1998 Kurtzman D11/200
D410,573 S * 6/1999 McKibbin D32/61
D595,124 S * 6/2009 Heffner D8/395
D685,256 S * 7/2013 Fungler D8/395
D708,095 S * 7/2014 Whitworth D11/200
8,863,315 B1 * 10/2014 Sanders A41B 3/00
2/137
(21) Appl. No.: **29/549,846** 8,887,354 B1 * 11/2014 Weinman E05D 7/12
16/252
(22) Filed: **Dec. 28, 2015**

(30) **Foreign Application Priority Data**
Jul. 1, 2015 (GB) 4041859
(51) **LOC (10) Cl.** **02-07**
(52) **U.S. Cl.**
USPC **D11/202**
(58) **Field of Classification Search**
USPC D11/200-219; 24/163 R, 169-171, 173,
24/177-179, 191, 194-195, 197, 200,
24/614-616, 625, 198, 578.11, 578.1,
24/163 K, 114, 326, 328, 485; D2/705,
D2/706; D8/395; 40/1.5
CPC A44B 11/26; A44B 11/25; A44B 11/06;
A41F 1/00
See application file for complete search history.

(56) **References Cited**
U.S. PATENT DOCUMENTS
1,804,308 A * 5/1931 Bollinger A41F 19/005
24/301
3,058,183 A * 10/1962 Hawie A41F 1/00
24/326

* cited by examiner

Primary Examiner — Ralf Seifert
(74) *Attorney, Agent, or Firm* — Nwamu, P.C.

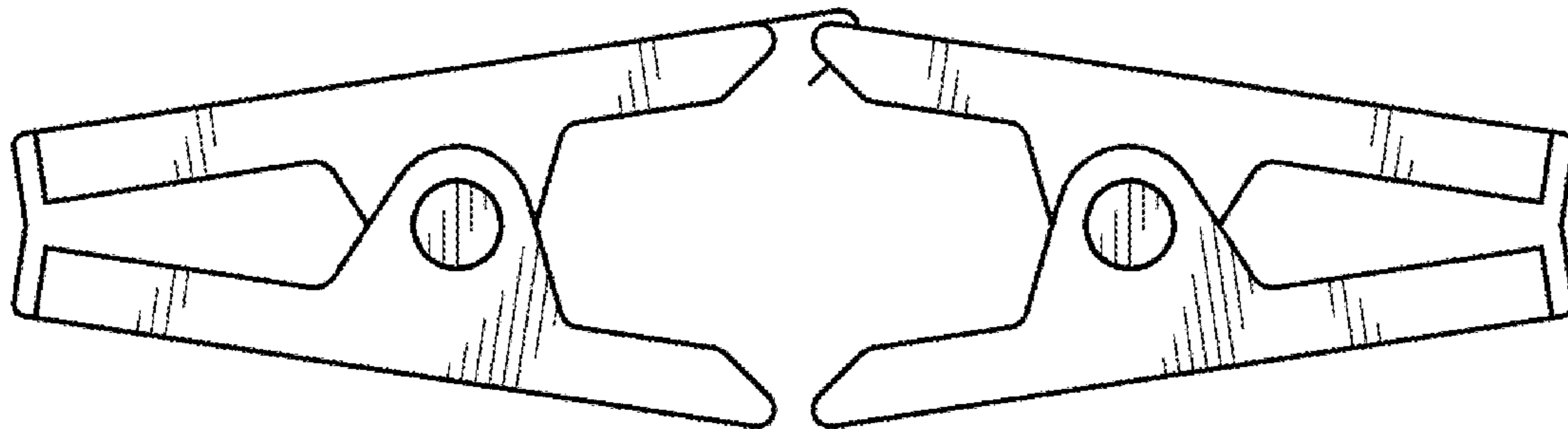
(57) **CLAIM**

An ornamental design for a bra accessory, as shown and described.

DESCRIPTION

FIG. 1 is a front view of my new design for the bra accessory;
FIG. 2 is a side view of my new design for the bra accessory;
FIG. 3 is a left back view of my new design for the bra accessory;
FIG. 4 is a top view of my new design for the bra accessory;
FIG. 5 is a right back view of my new design for the bra accessory; and,
FIG. 6 is a bottom view of my new design for the bra accessory.

1 Claim, 1 Drawing Sheet



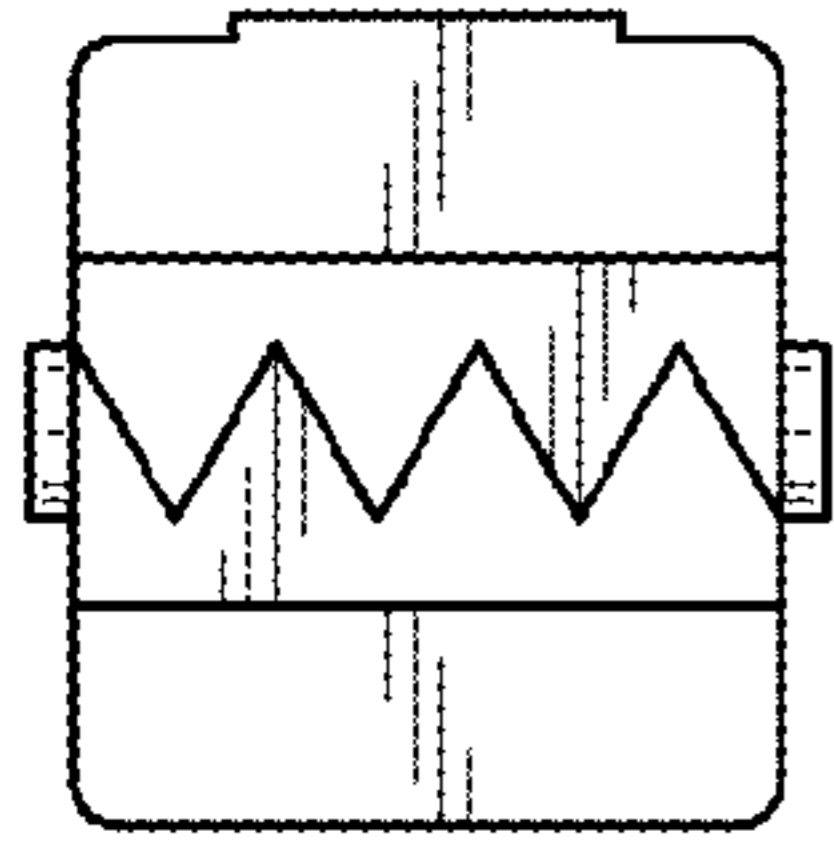


FIG. 1

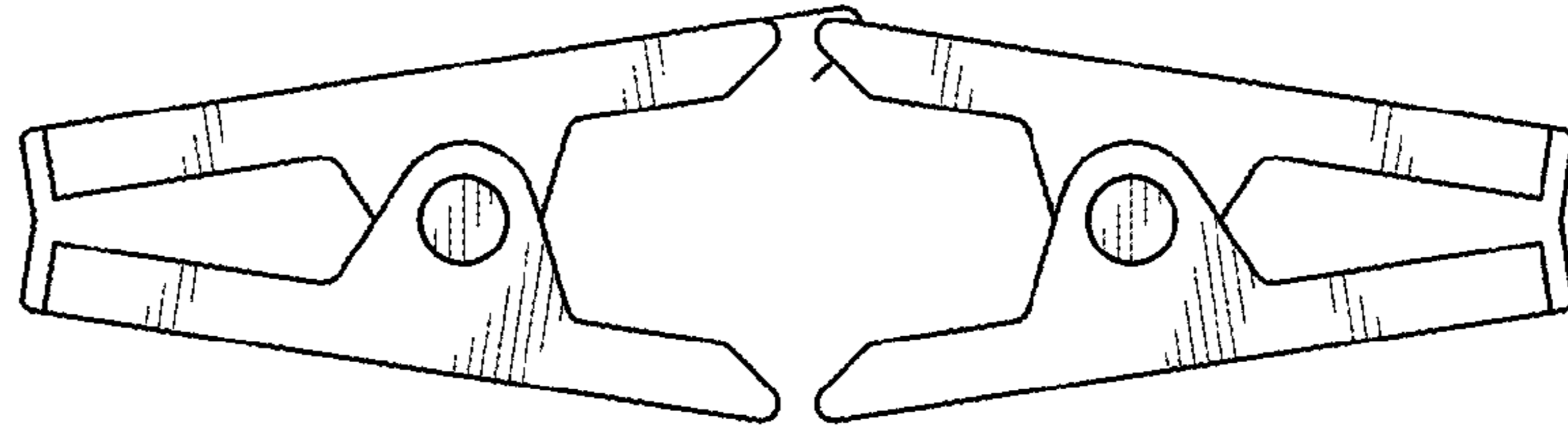


FIG. 2

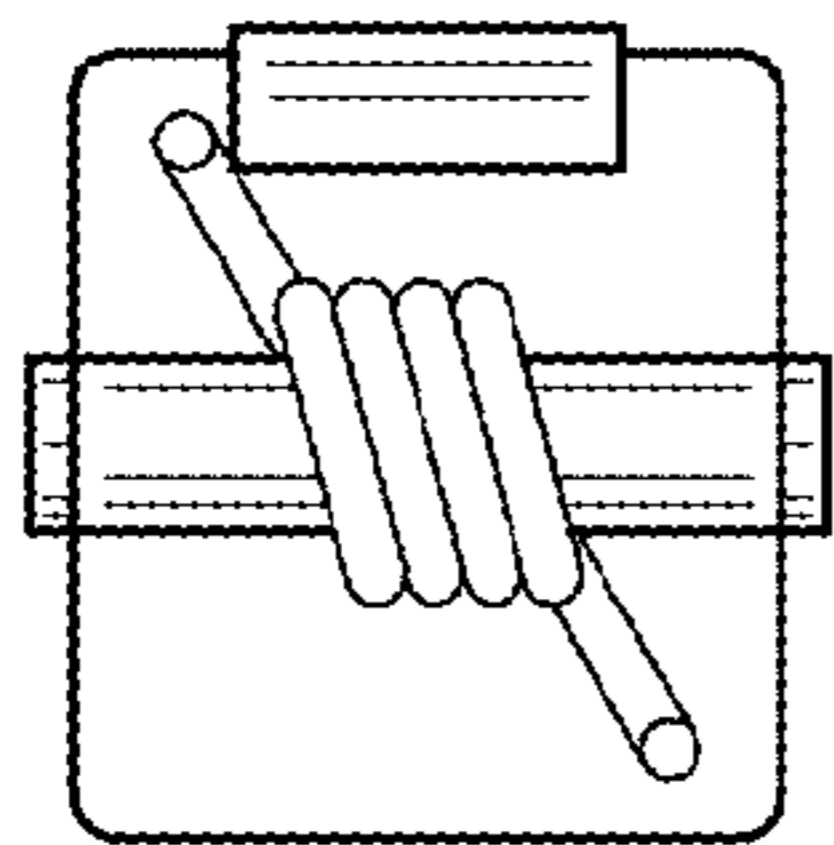


FIG. 3

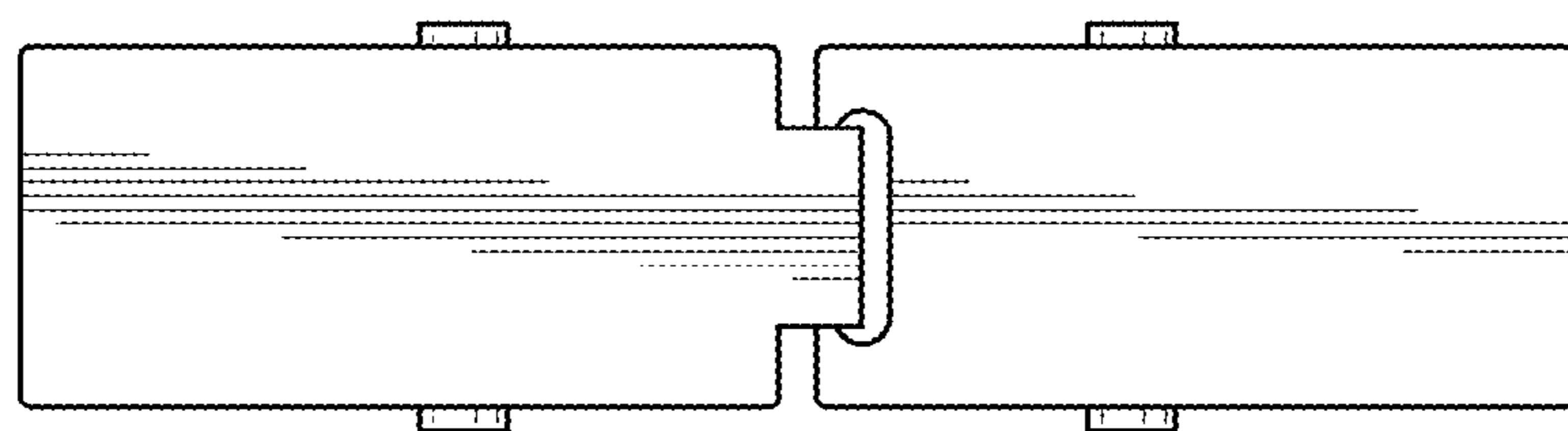


FIG. 4

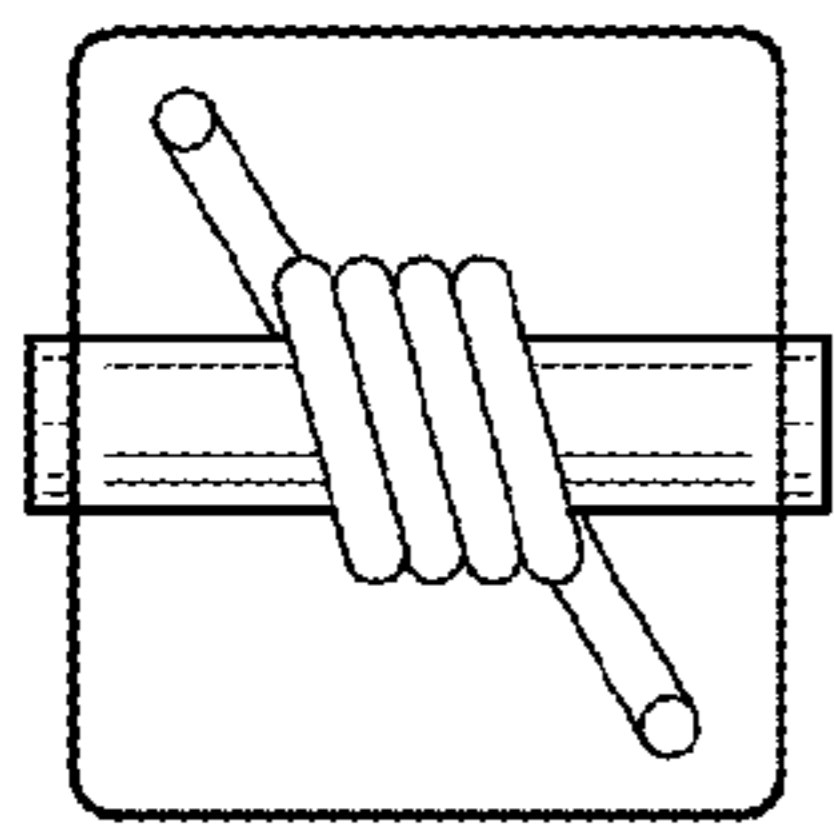


FIG. 5

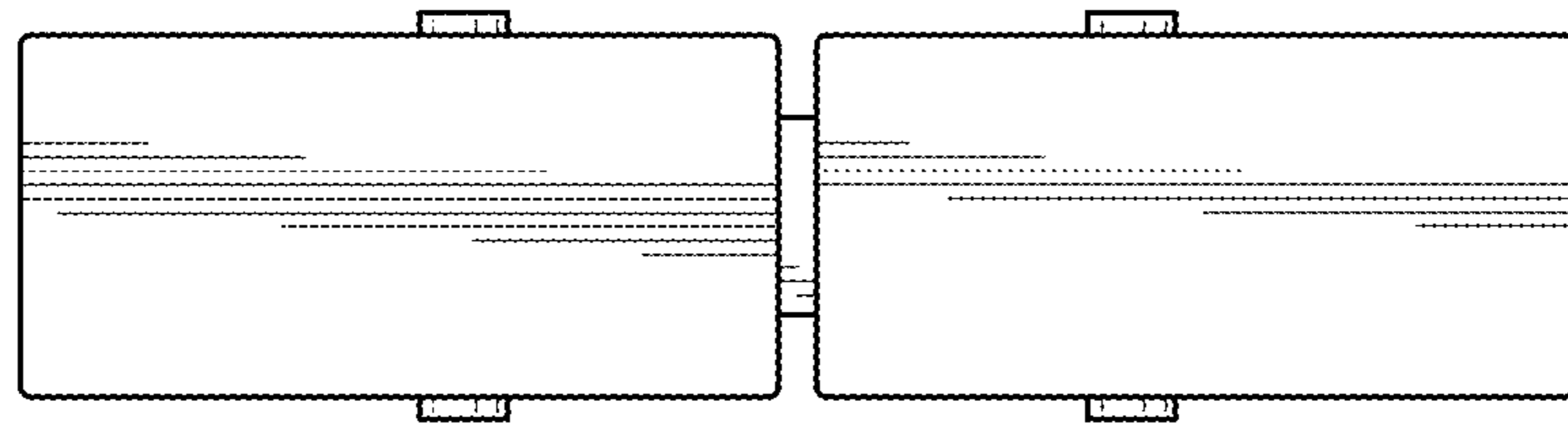


FIG. 6