



US00D791641S

(12) **United States Design Patent** (10) **Patent No.:** **US D791,641 S**
Paternostre et al. (45) **Date of Patent:** **** *Jul. 11, 2017**

- (54) **FLOWER VASE** D358,115 S * 5/1995 Rahr D11/143
5,547,721 A * 8/1996 Kuo A47G 7/06
428/34.1
- (71) Applicant: **Bloomaker USA, Inc.**, Waynesboro, VA (US) D553,439 S * 10/2007 Bodum D7/500
D560,098 S * 1/2008 Barducci D7/509
D563,172 S * 3/2008 Bodum D7/509
D581,739 S * 12/2008 Bodum D7/509
D589,297 S * 3/2009 Zollweg D11/154
D614,531 S * 4/2010 Garcia D11/143
D621,740 S * 8/2010 Garcia D11/143
D637,456 S * 5/2011 Creech D7/509
D698,602 S * 2/2014 Beller D7/396.2
- (72) Inventors: **Joep Paternostre**, Waynesboro, VA (US); **Lilian Paternostre**, Waynesboro, VA (US); **Yvonne Giddings**, Toledo, OH (US)
- (73) Assignee: **Bloomaker USA, Inc.**, Waynesboro, VA (US)

* cited by examiner

(*) Notice: This patent is subject to a terminal disclaimer.

Primary Examiner — Susan Bennett Hattan

Assistant Examiner — Rebecca Tsehaye

(**) Term: **15 Years**

(74) *Attorney, Agent, or Firm* — Daniel L. Fitch

(21) Appl. No.: **29/557,594**

(57) **CLAIM**

(22) Filed: **Mar. 10, 2016**

The ornamental design for a flower vase, as shown and described.

(51) **LOC (10) Cl.** **11-02**

(52) **U.S. Cl.**
USPC **D11/143**

(58) **Field of Classification Search**
USPC D11/152, 153, 154, 143, 144, 39, 41.01;
D7/500, 509, 514, 518, 521, 530, 548,
D7/396.2; D9/500, 516, 530, 537, 539,
D9/542; 45/65.5, 39, 41.01
CPC A47G 7/00; A47G 7/006; A47G 7/06
See application file for complete search history.

DESCRIPTION

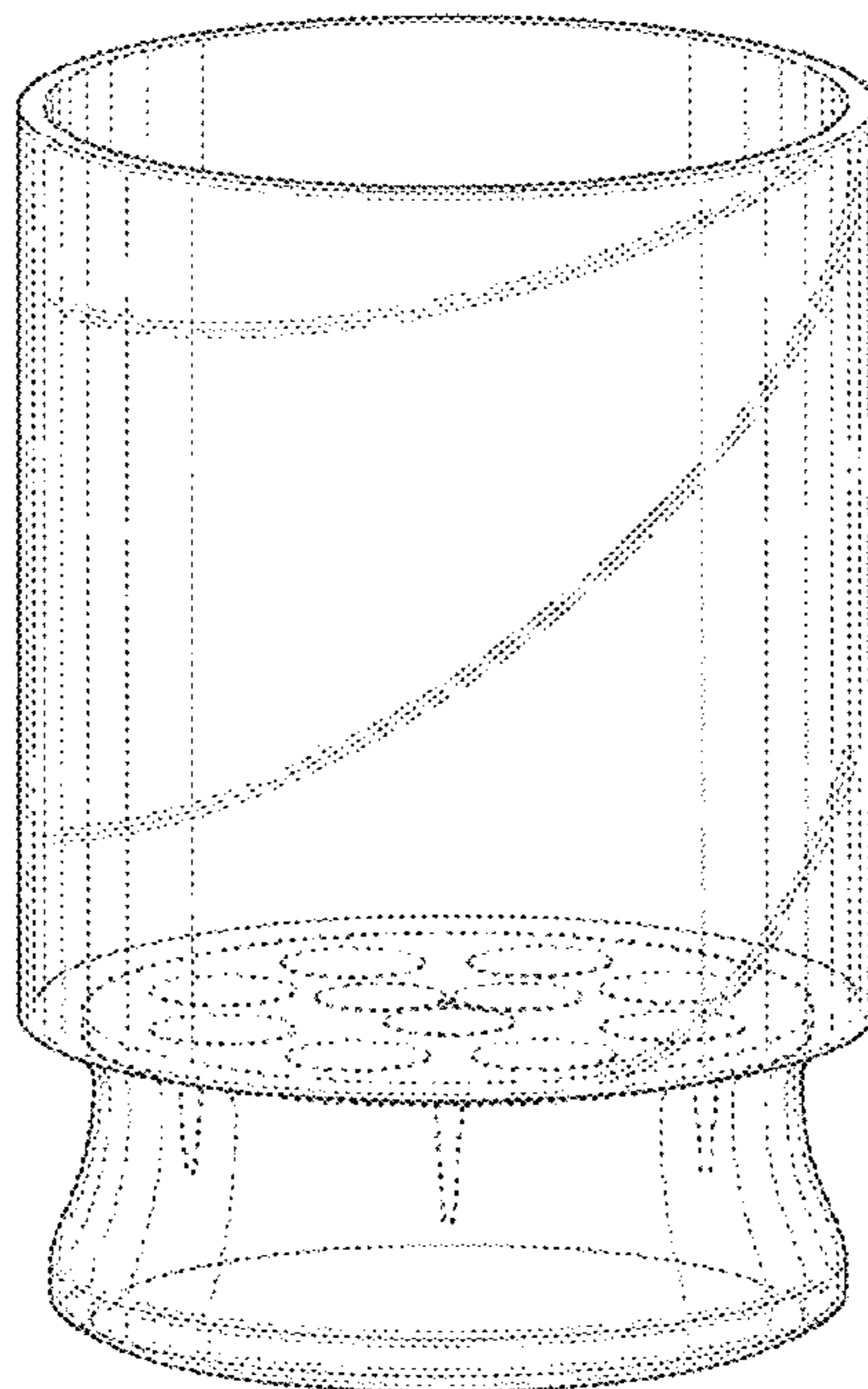
FIG. 1 is a front perspective view showing the new design;
FIG. 2 is a front view thereof;
FIG. 3 is a rear view thereof;
FIG. 4 is a left side view thereof;
FIG. 5 is a right side view thereof;
FIG. 6 is a bottom view thereof; and,
FIG. 7 is a top view thereof.
The broken lines in the figures depict portions of the flower vase that form no part of the claimed design.

(56) **References Cited**

U.S. PATENT DOCUMENTS

- D247,867 S * 5/1978 Thrush D7/530
- D299,626 S * 1/1989 Durand D11/151

1 Claim, 6 Drawing Sheets



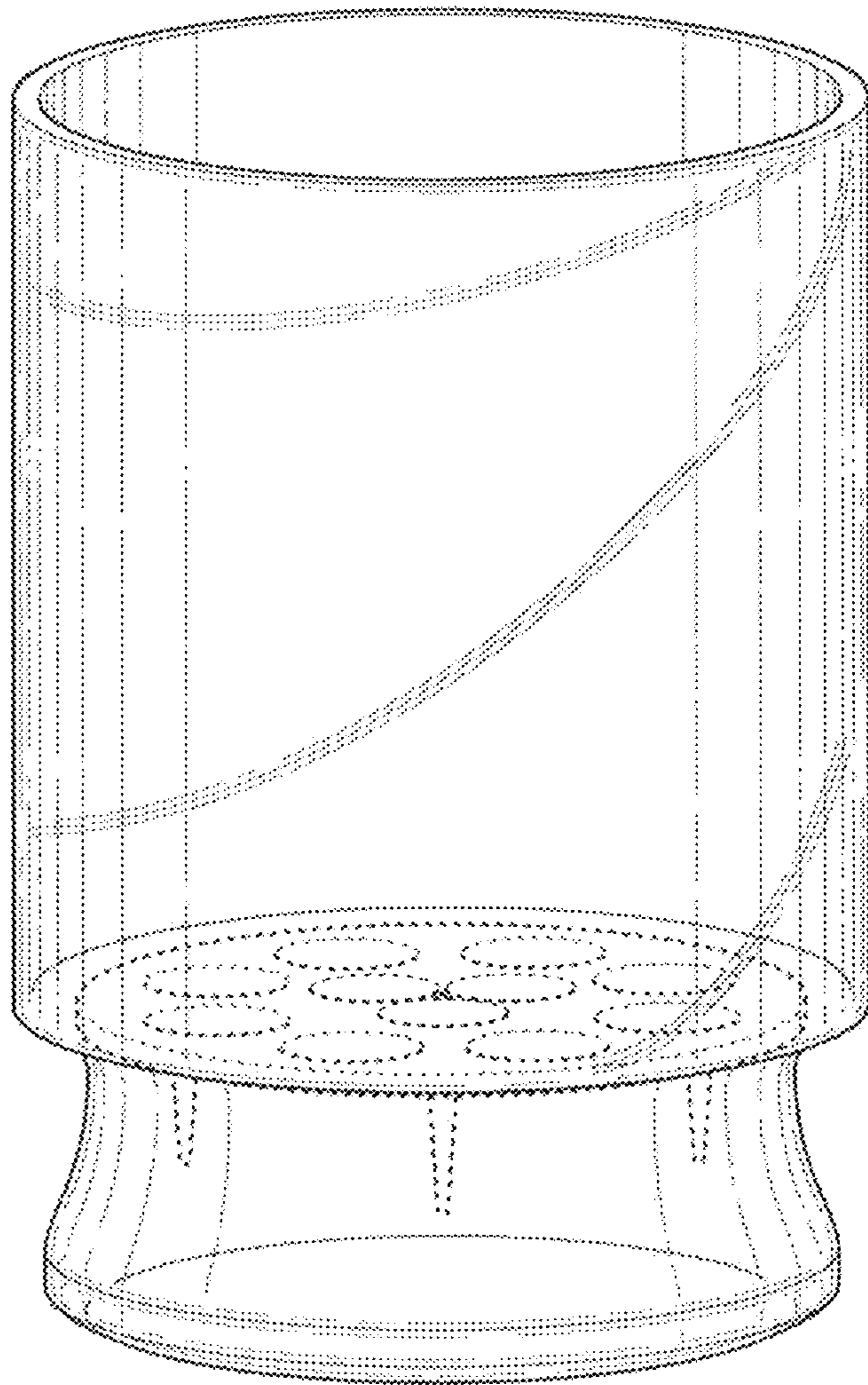


FIG. 1

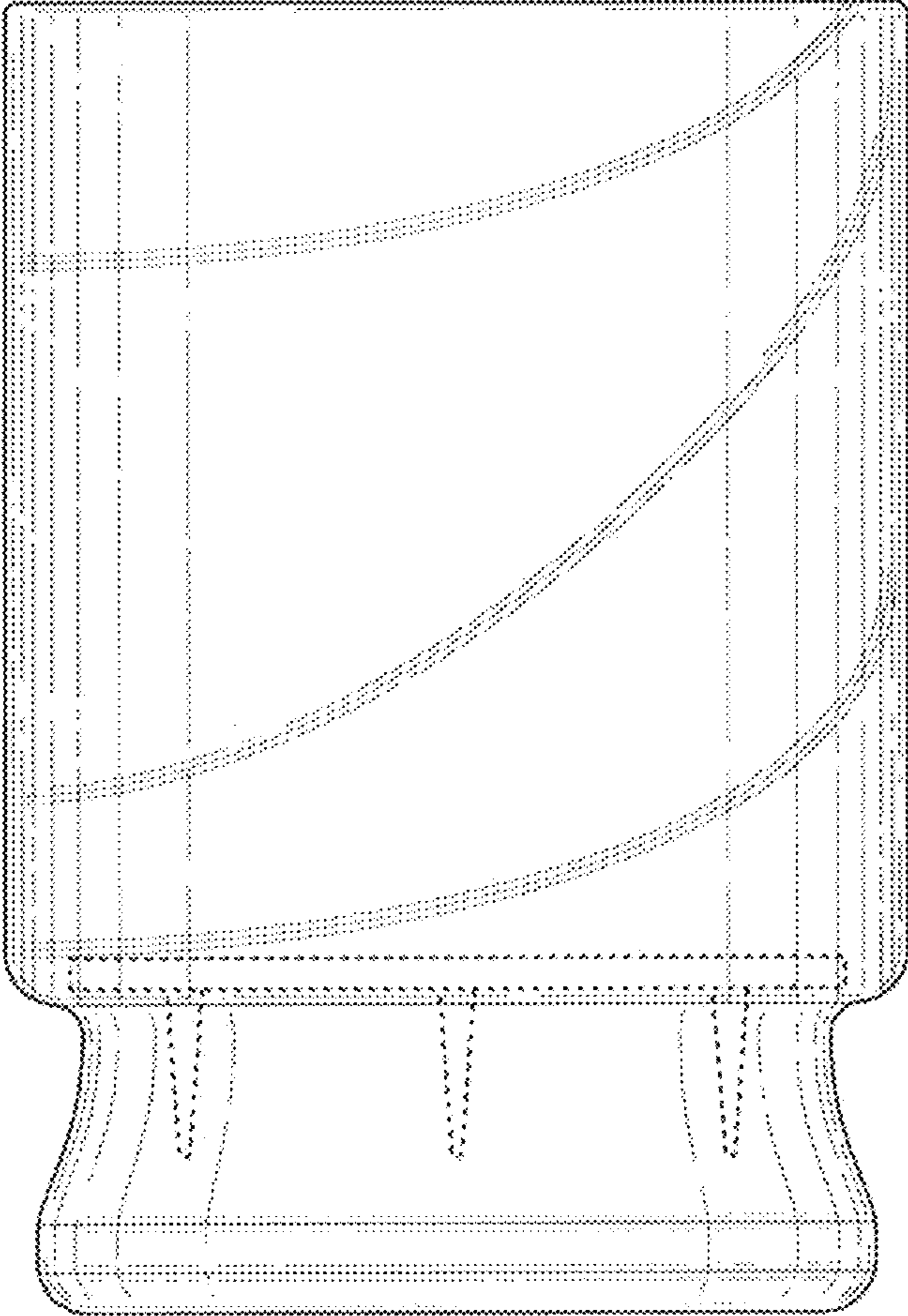


FIG. 2

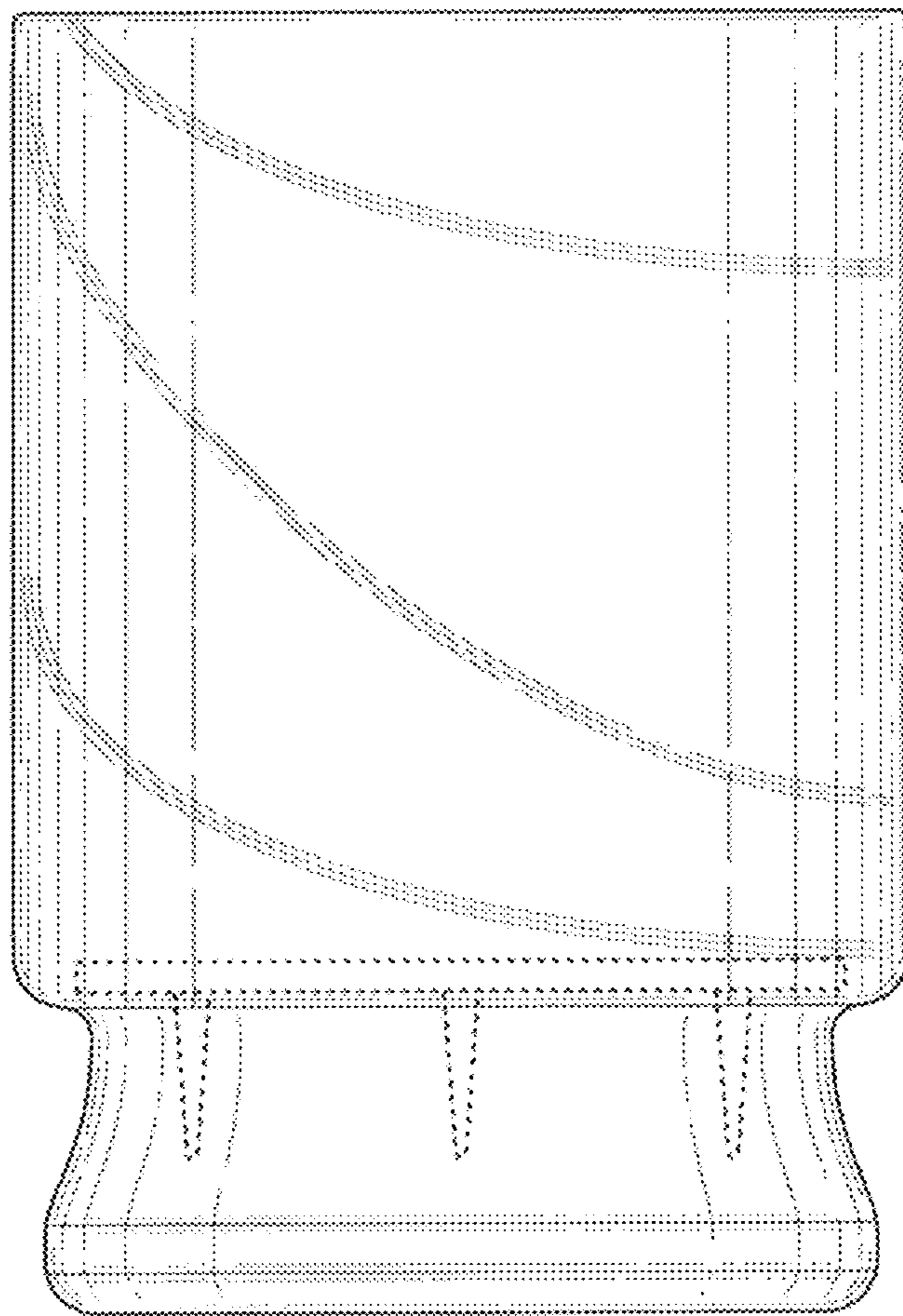


FIG. 3

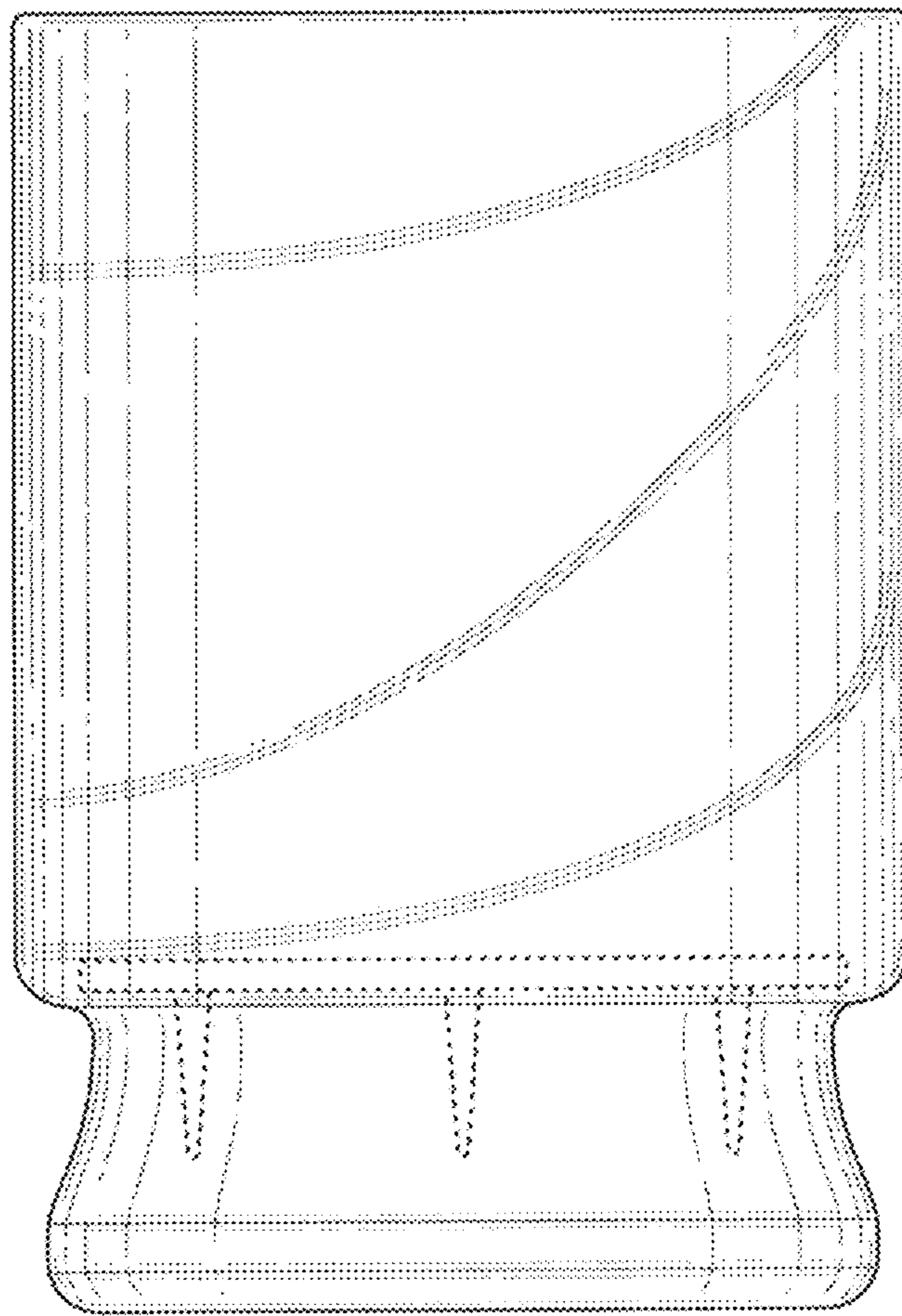


FIG. 4

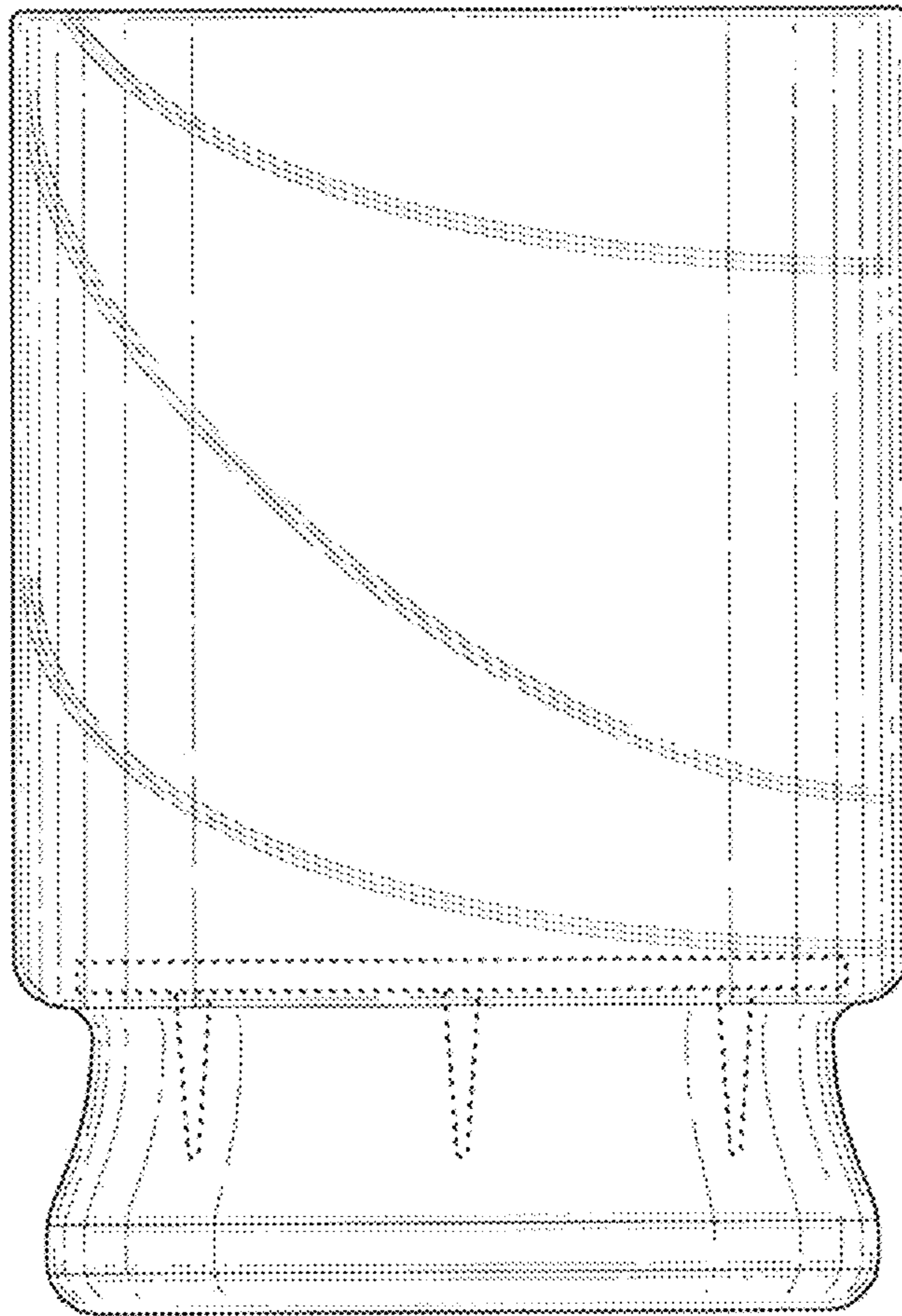


FIG. 5

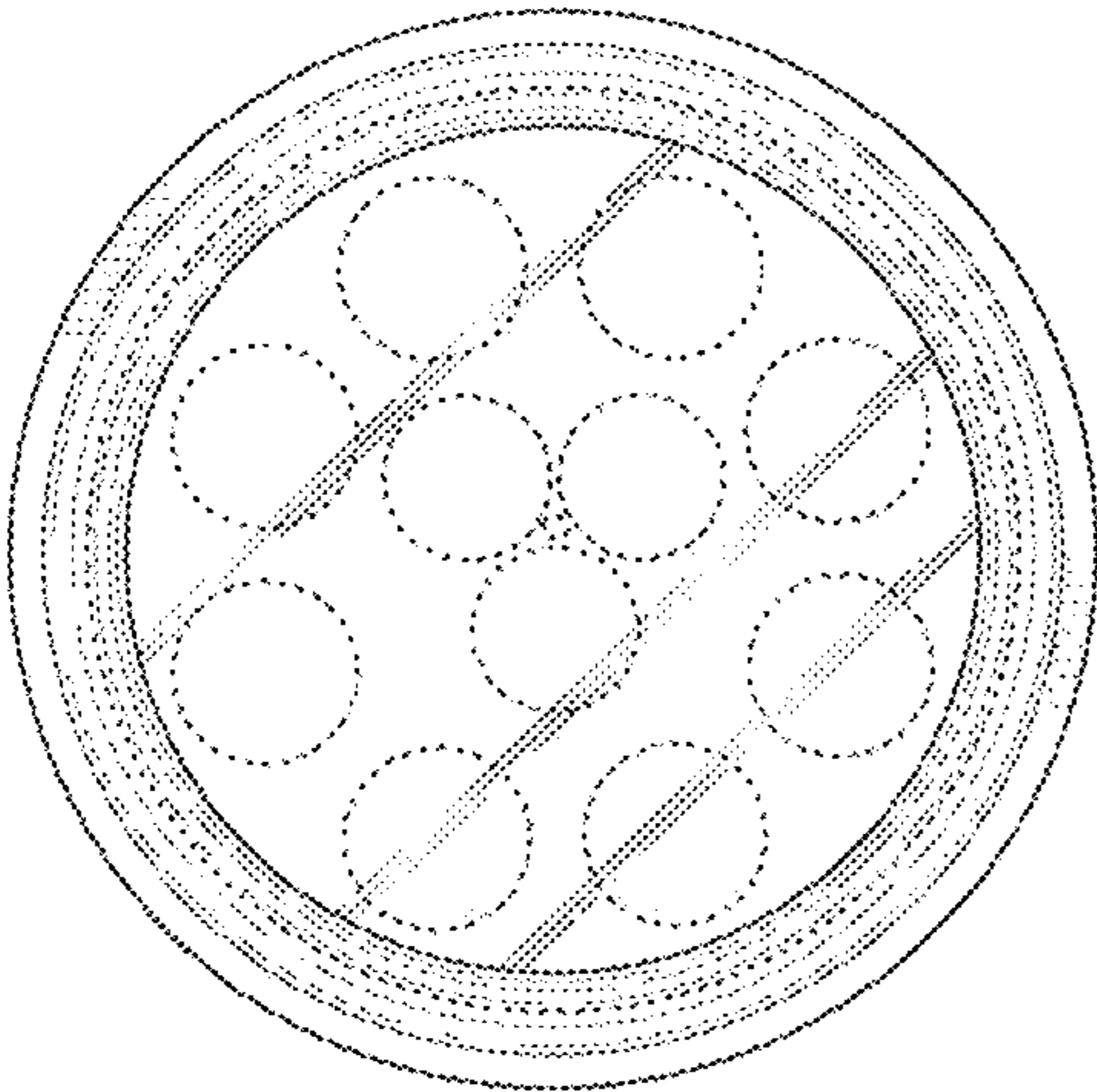


FIG. 6

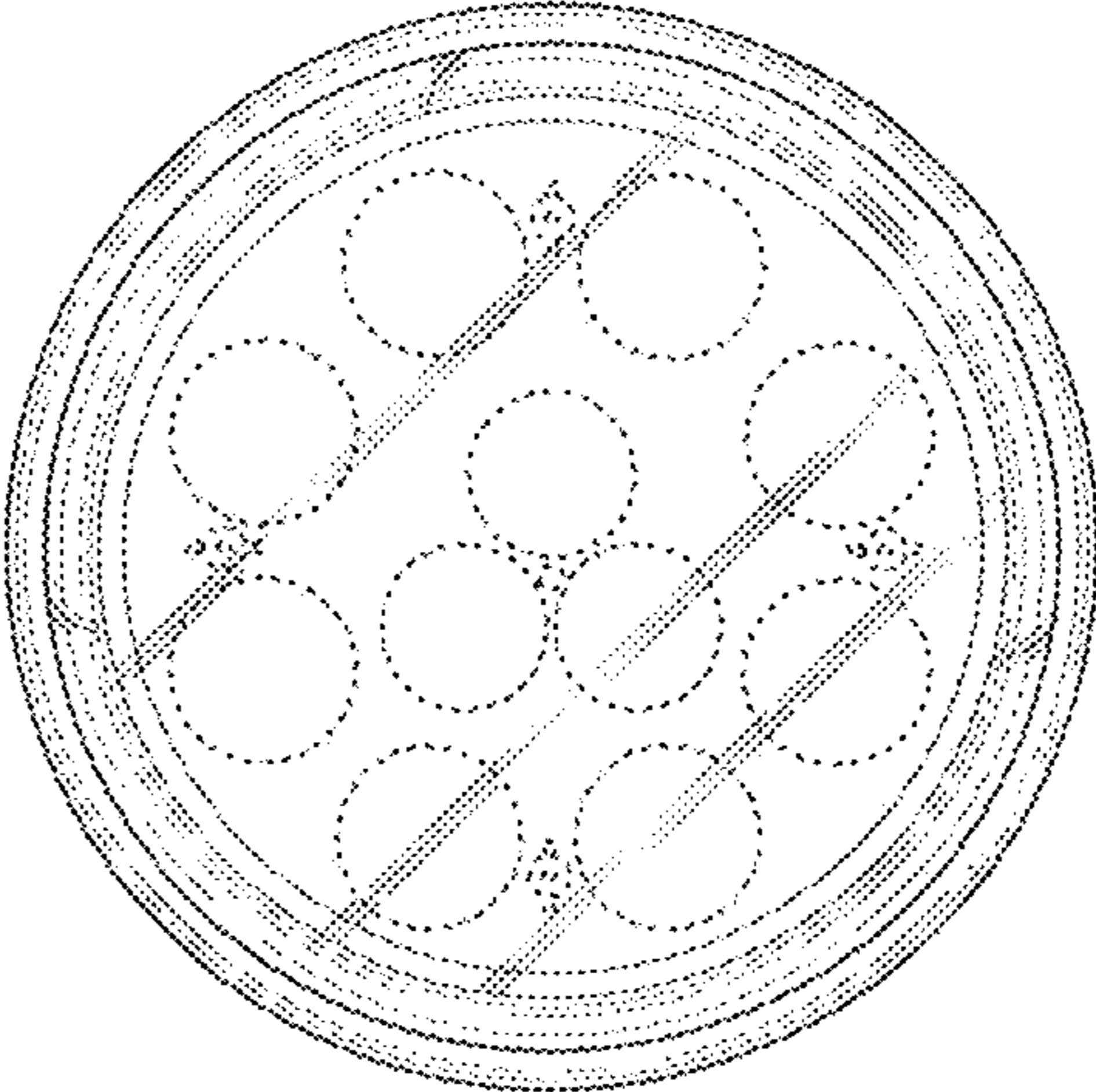


FIG. 7