



US00D791634S

(12) **United States Design Patent**
Bang et al.

(10) **Patent No.:** **US D791,634 S**
(45) **Date of Patent:** **** Jul. 11, 2017**

(54) **WRISTBAND FOR ELECTRONIC DEVICE**
(71) Applicant: **Samsung Electronics Co., Ltd.**,
Suwon-si (KR)
(72) Inventors: **Yongseok Bang**, Yongin-si (KR); **Miri Lee**,
Namyangju-si (KR); **In Sik Chung**, Seoul (KR); **Jaehyung Hong**,
Seoul (KR)
(73) Assignee: **SAMSUNG ELECTRONICS CO., LTD.**,
Suwon-si (KR)
(**) Term: **15 Years**

D522,900 S * 6/2006 Yamamoto D11/3
8,275,327 B2 * 9/2012 Yi G04G 9/0064
455/556.1
D727,198 S * 4/2015 Akana D11/3
D763,719 S * 8/2016 Nielsen D11/3
D768,025 S * 10/2016 Akana D11/3

(21) Appl. No.: **29/542,460**
(22) Filed: **Oct. 14, 2015**

OTHER PUBLICATIONS
[Online] <http://i.ebayimg.com/images/g/YdwAAOSwZVIXsYz3/s-I300.jpg>. Retrieved Mar. 30, 2017.*
[Online] <https://cdn2.wtvox.com/wp-content/uploads/Samsung-Gear-S2-Review-gallery16.jpg>. Retrieved Mar. 30, 2017.*

* cited by examiner
Primary Examiner — Melanie Pellegrini
(74) *Attorney, Agent, or Firm* — McAndrews Held & Malloy, Ltd.

(30) **Foreign Application Priority Data**

(57) **CLAIM**
The ornamental design for a wristband for electronic device, as shown and described.

Aug. 13, 2015 (KR) 30-2015-0041058
(51) **LOC (10) Cl.** **11-01**
(52) **U.S. Cl.**
USPC **D11/3**

DESCRIPTION

(58) **Field of Classification Search**
USPC D11/1–26, 86, 94; D10/70, 98, 32, 38;
D24/167, 200; D14/344; D3/203.1, 215,
D3/218, 201
CPC A44C 5/00; A44C 5/0007; A44C 5/0015;
A44C 5/0023; A44C 5/003; A44C
5/0038; A44C 5/0053; A44C 5/0061;
A44C 5/0069; A44C 5/0076; A44C
5/0084; A44C 5/0092; A44C 5/20; A61B
5/02405
See application file for complete search history.

FIG. 1 is a front perspective view of a wristband for electronic device showing our new design;
FIG. 2 is a front elevation view thereof;
FIG. 3 is a rear elevation view thereof;
FIG. 4 is a left side elevation view thereof;
FIG. 5 is a right side elevation view thereof;
FIG. 6 is a top plan view thereof;
FIG. 7 is a bottom plan view thereof; and,
FIG. 8 is an enlarged front perspective view of the area encircled in FIG. 1.
The dashed broken lines in the figures represent unclaimed portions of the wristband and form no part of the claimed design.
The dot-dot-dash broken lines in FIGS. 1 and 8 encircle a portion of the claimed design that is illustrated in enlargements and form no part of the claimed design.

(56) **References Cited**
U.S. PATENT DOCUMENTS
D306,981 S * 4/1990 Bettelini D11/3
D426,486 S * 6/2000 Kubo D11/1
D446,467 S * 8/2001 Lepeu D11/3

1 Claim, 8 Drawing Sheets

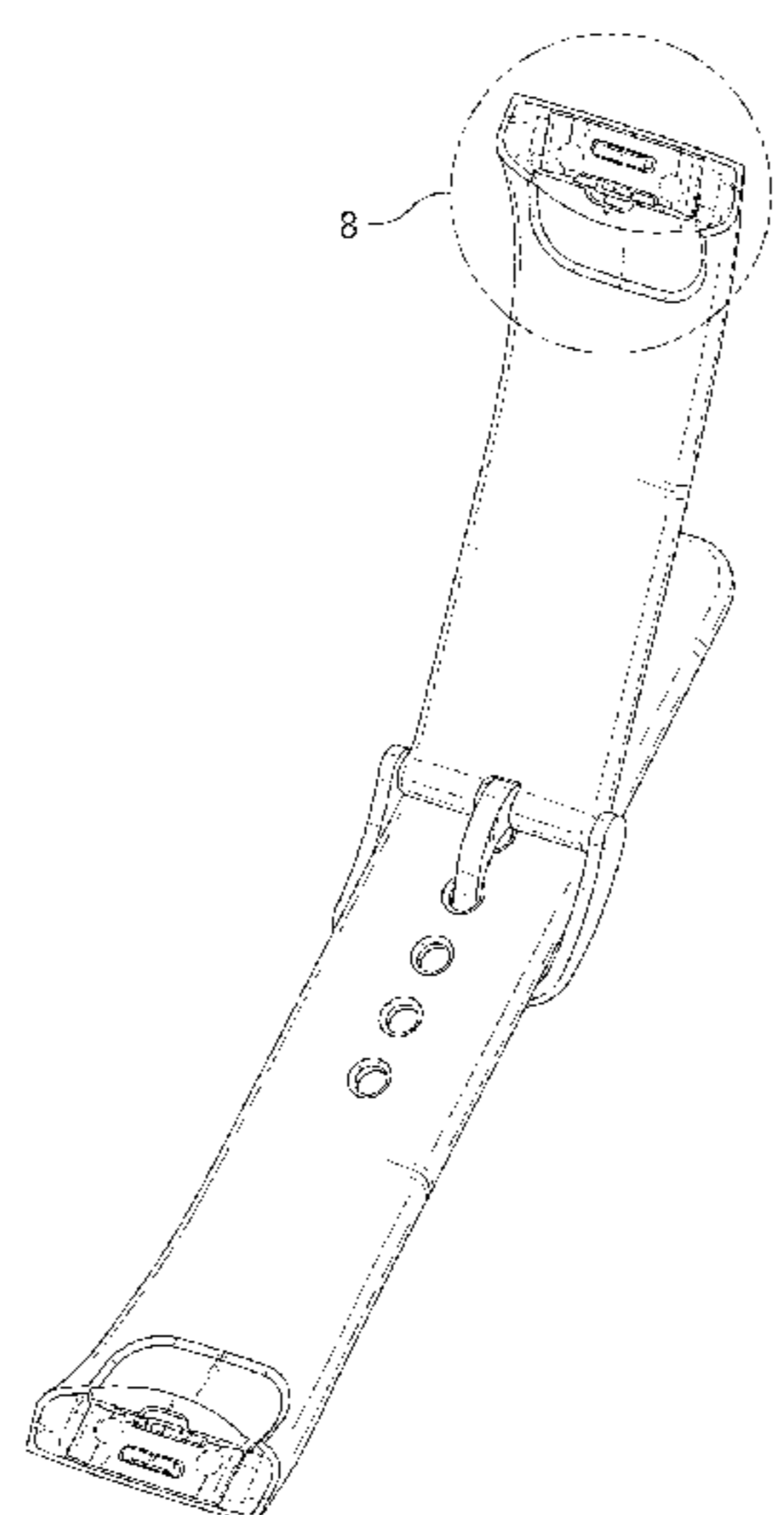


FIG. 1

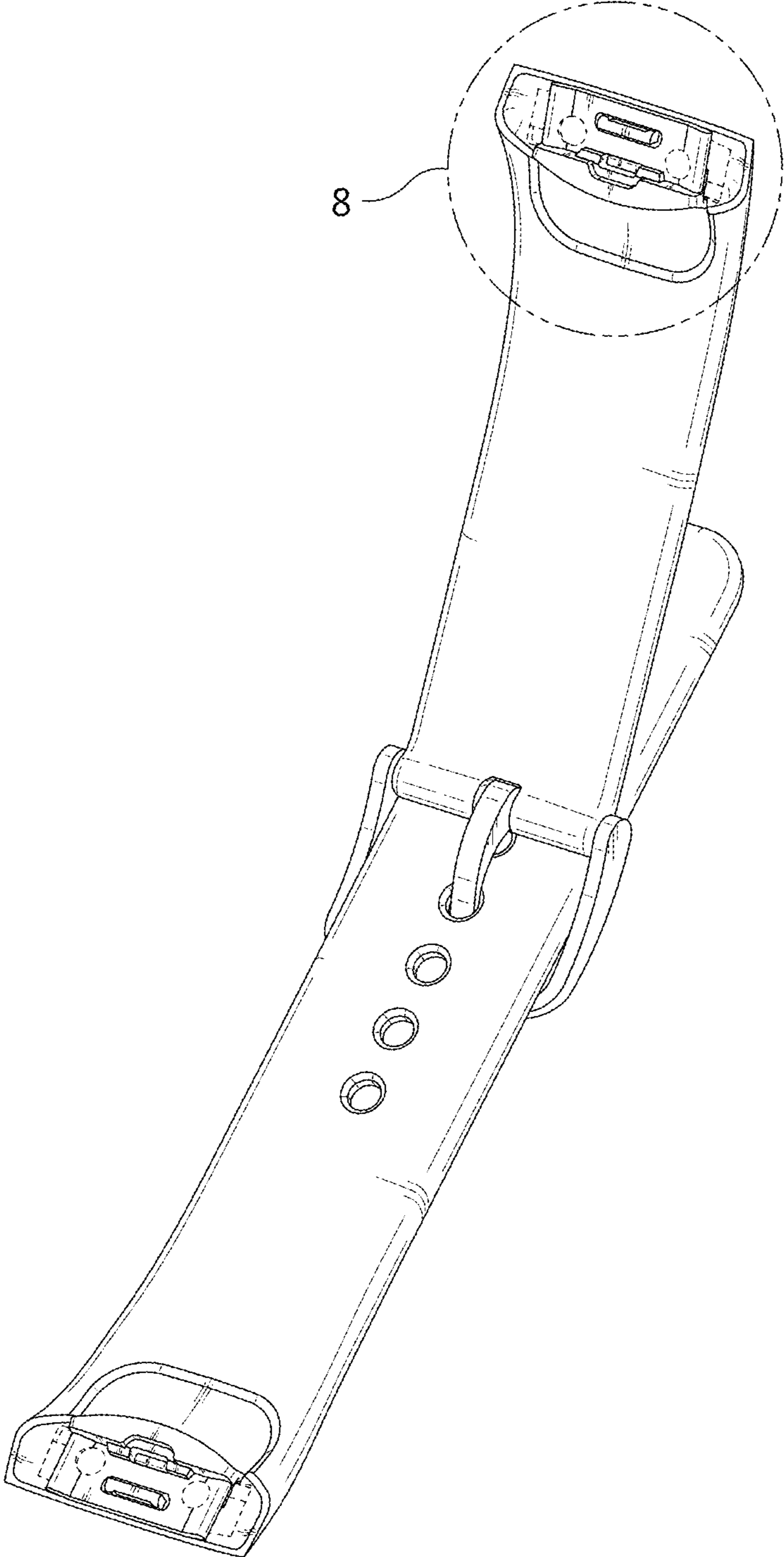


FIG. 2

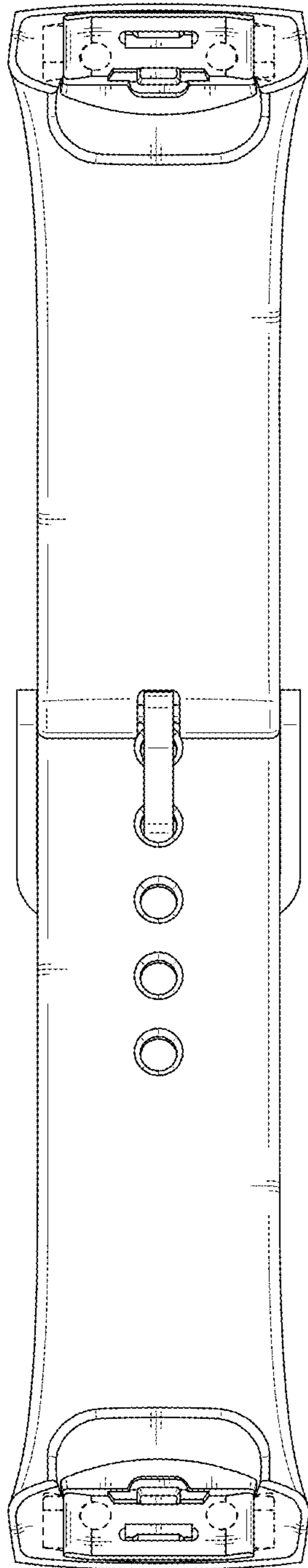


FIG. 3

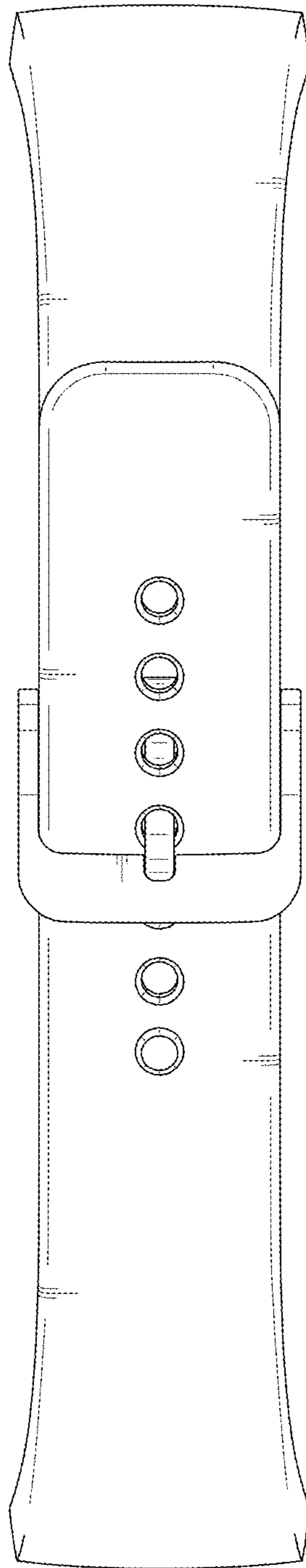


FIG. 4

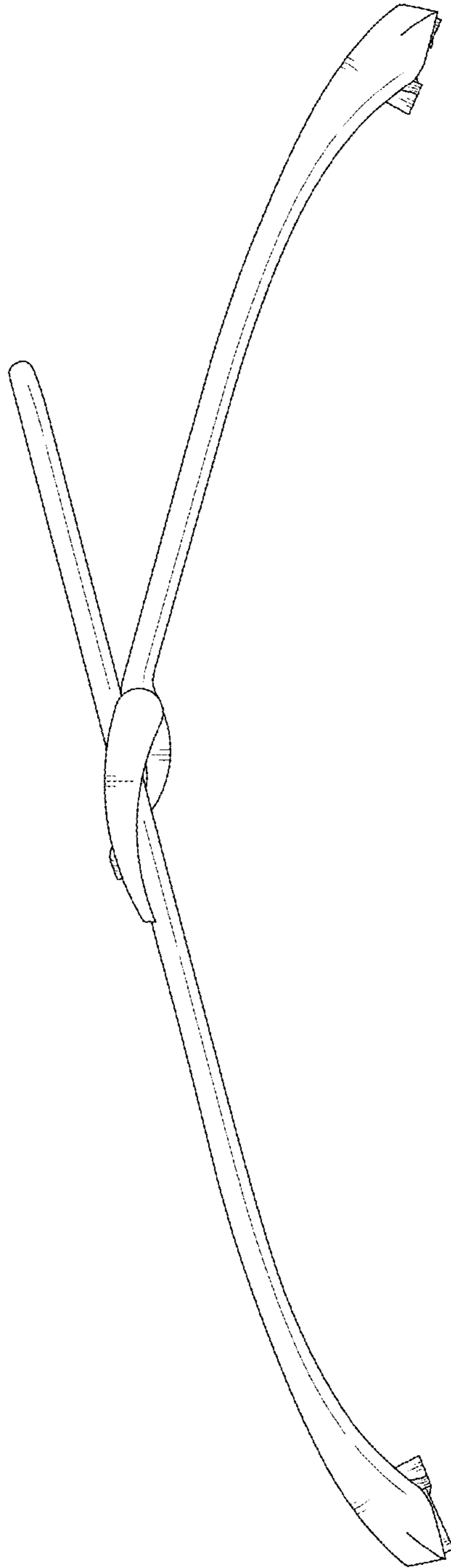


FIG. 5

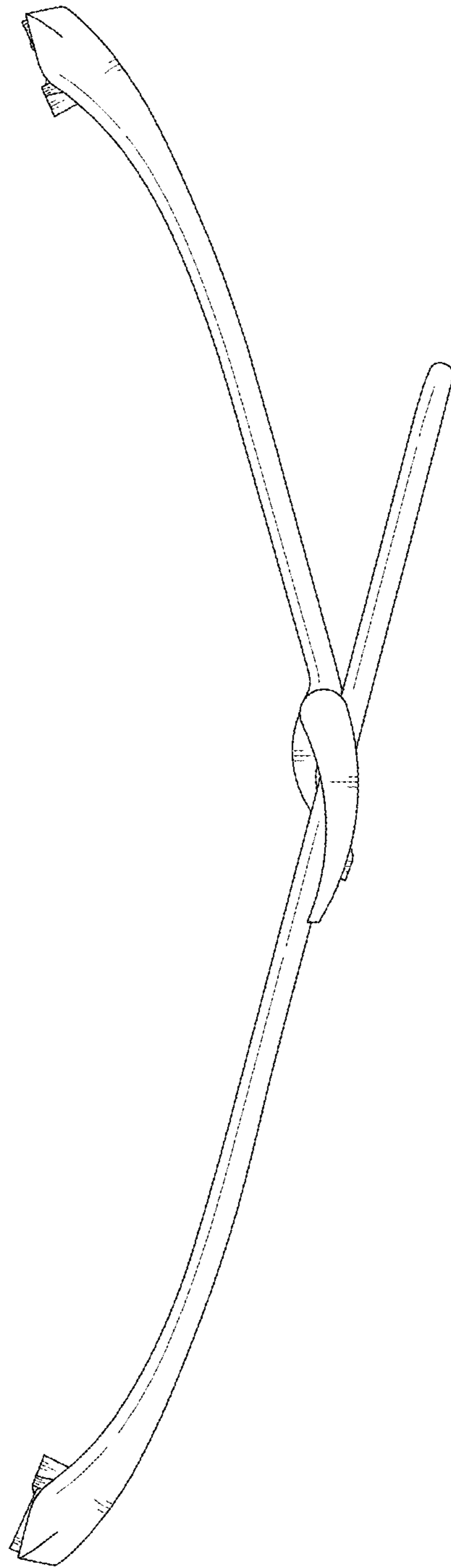


FIG. 6

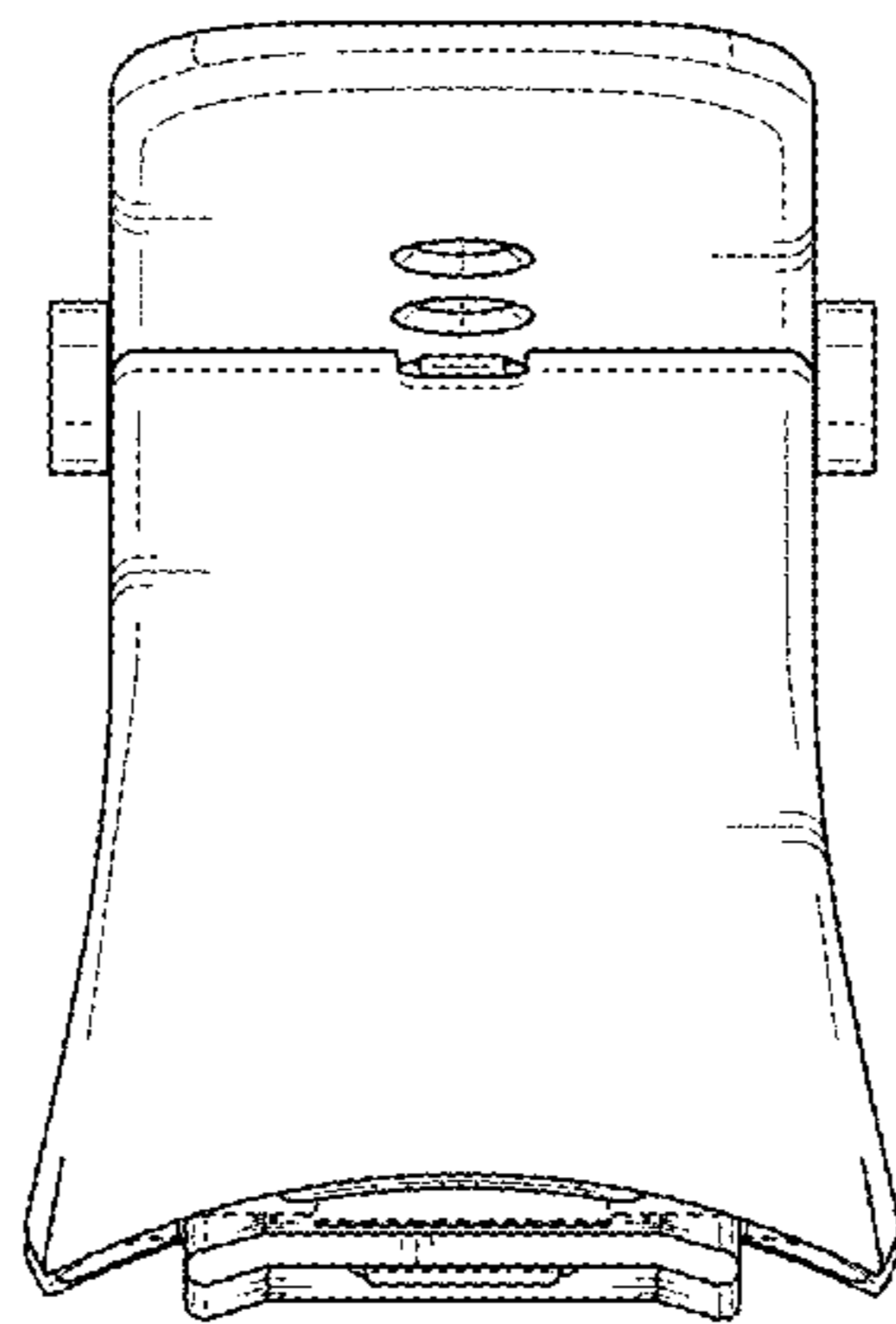


FIG. 7

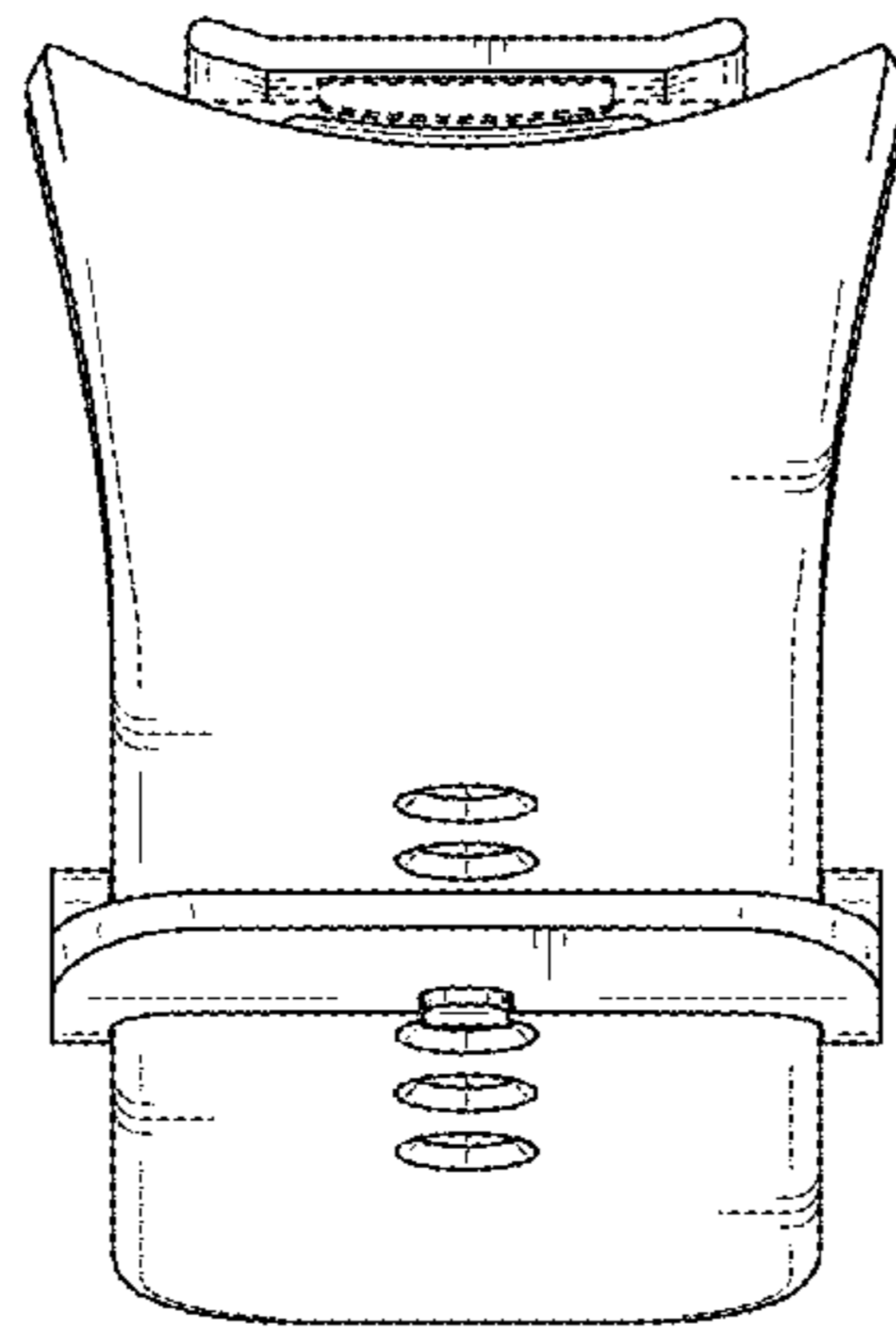


FIG. 8

