



US00D791631S

(12) **United States Design Patent** (10) **Patent No.:** **US D791,631 S**  
**Thompson** (45) **Date of Patent:** **\*\* Jul. 11, 2017**

- (54) **SHAPED LIGHT BAR**
- (71) Applicant: **Electronic Controls Company**, Boise, ID (US)
- (72) Inventor: **Nicholaus M. Thompson**, Kuna, ID (US)
- (73) Assignee: **Electronic Controls Company**, Boise, ID (US)

6,081,191 A 6/2000 Green et al.  
 D427,537 S 7/2000 Green et al.  
 D432,038 S 10/2000 Sasaki et al.  
 (Continued)

FOREIGN PATENT DOCUMENTS

EP 002092346-0001 8/2012  
 EP 002092346-0002 8/2012

OTHER PUBLICATIONS

George et al., Design U.S. Appl. No. 29/515,855, filed Jan. 27, 2015.

*Primary Examiner* — George D Kirschbaum  
 (74) *Attorney, Agent, or Firm* — Stoel Rives LLP

- (\*\*) Term: **14 Years**
- (21) Appl. No.: **29/523,722**
- (22) Filed: **Apr. 13, 2015**
- (51) **LOC (10) Cl.** ..... **10-05**
- (52) **U.S. Cl.**  
 USPC ..... **D10/114.4**
- (58) **Field of Classification Search**  
 USPC ..... D10/114.4; D26/28  
 CPC ..... B60R 1/12  
 See application file for complete search history.

(57) **CLAIM**

The ornamental design for a shaped light bar, substantially as shown and described.

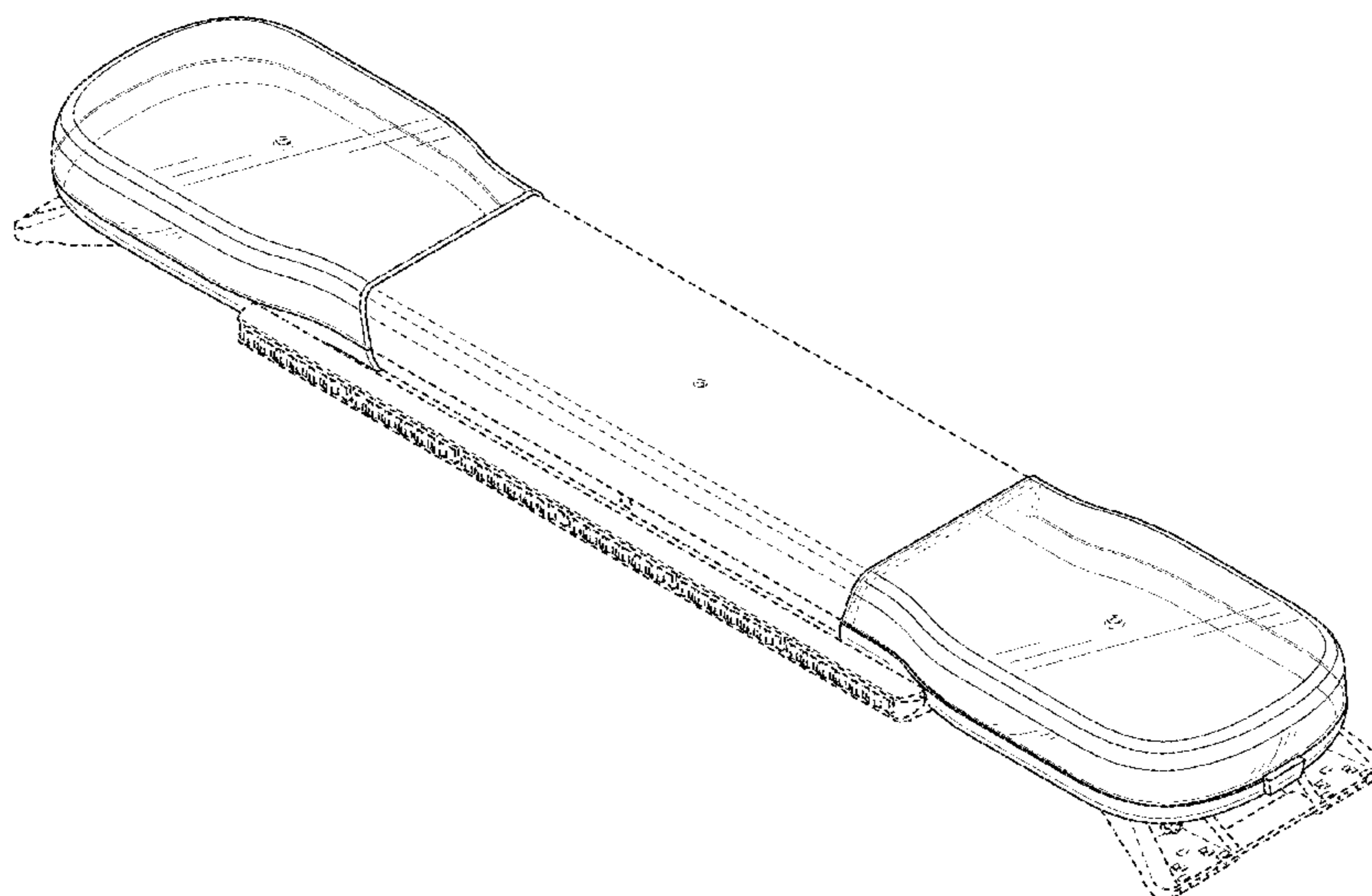
**DESCRIPTION**

FIG. 1 is a top isometric view of a shaped light bar; FIG. 2 is a rear view thereof; FIG. 3 is a front view thereof; FIG. 4 is a left side view thereof; FIG. 5 is a right side view thereof; FIG. 6 is a top view thereof; and FIG. 7 is a bottom view thereof. FIG. 8 is a top isometric view of another embodiment of a shaped light bar; FIG. 9 is a rear view thereof; FIG. 10 is a front view thereof; FIG. 11 is a left side view thereof; FIG. 12 is a right side view thereof; FIG. 13 is a top view thereof; and, FIG. 14 is a bottom view thereof. In FIGS. 1-14, broken lines are illustrative of environmental structure forming no part of the claimed design.

**1 Claim, 12 Drawing Sheets**

(56) **References Cited**  
 U.S. PATENT DOCUMENTS

D249,250 S	9/1978	Peirish, Jr.
D262,659 S	1/1982	Latta et al.
D286,756 S	11/1986	Menke et al.
D291,870 S	9/1987	Urbanski et al.
D312,424 S	11/1990	Foster
D312,425 S	11/1990	Foster
D312,978 S	12/1990	Foster
5,091,828 A	2/1992	Jincks et al.
D326,621 S	6/1992	Jincks et al.
D345,315 S	3/1994	Green et al.
D345,316 S	3/1994	Green et al.
D359,461 S	6/1995	Chen
5,452,188 A	9/1995	Green et al.
D363,675 S	10/1995	Sasaki et al.
D402,909 S	12/1998	Stanuch
5,884,997 A	3/1999	Stanuch et al.
D410,402 S	6/1999	Stein et al.



(56)

**References Cited**

U.S. PATENT DOCUMENTS

D432,444	S	10/2000	Sasaki et al.	
6,140,918	A	10/2000	Green et al.	
6,504,487	B1	1/2003	Pederson	
D469,711	S	2/2003	Neufeglise et al.	
D476,253	S	6/2003	Stein et al.	
6,722,776	B1	4/2004	Lyons et al.	
D499,976	S	12/2004	Richardson et al.	
6,863,424	B2	3/2005	Smith	
D518,400	S	4/2006	Sasaki et al.	
D545,230	S	6/2007	Jalala	
D556,074	S	11/2007	Stein et al.	
D578,425	S	10/2008	Shin	
D585,318	S	1/2009	Jalala	
D602,391	S	10/2009	Stein	
D649,488	S	11/2011	Deyaf	
8,147,108	B2	4/2012	Stein et al.	
8,342,725	B2	1/2013	Stein et al.	
D740,471	S *	10/2015	Yu .....	D26/28
D742,269	S	11/2015	Stein et al.	
D742,270	S	11/2015	Stein et al.	
D760,613	S *	7/2016	George .....	D10/114.4

\* cited by examiner

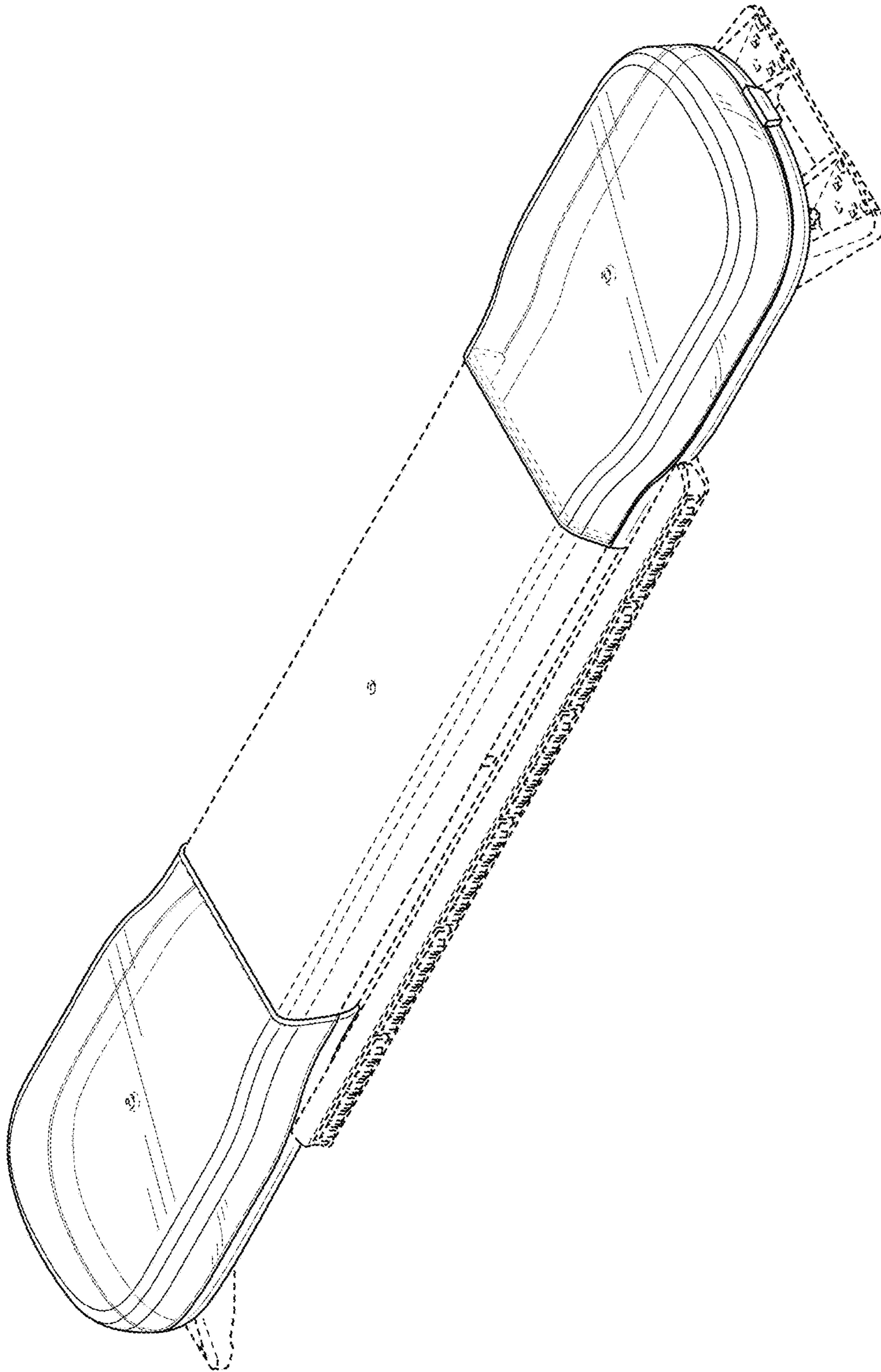


FIG. 1

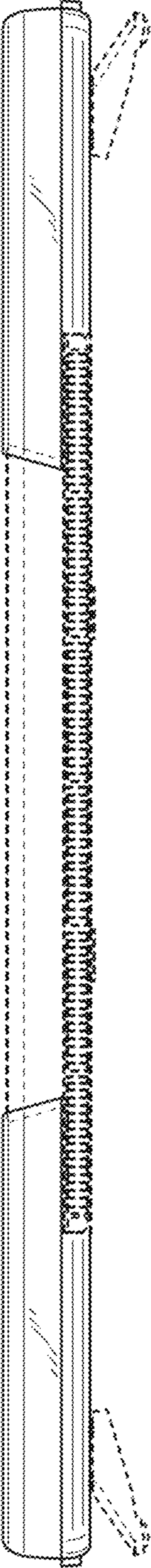


FIG. 2

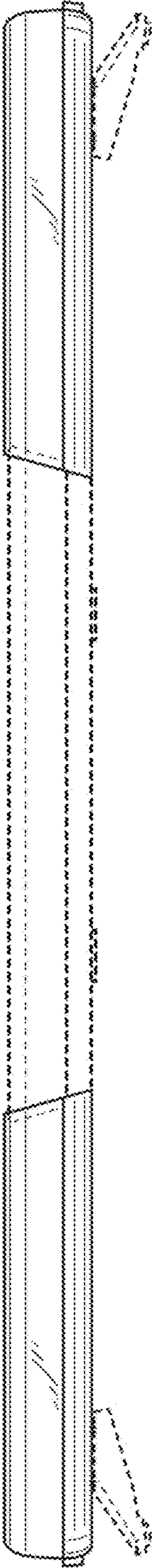


FIG. 3



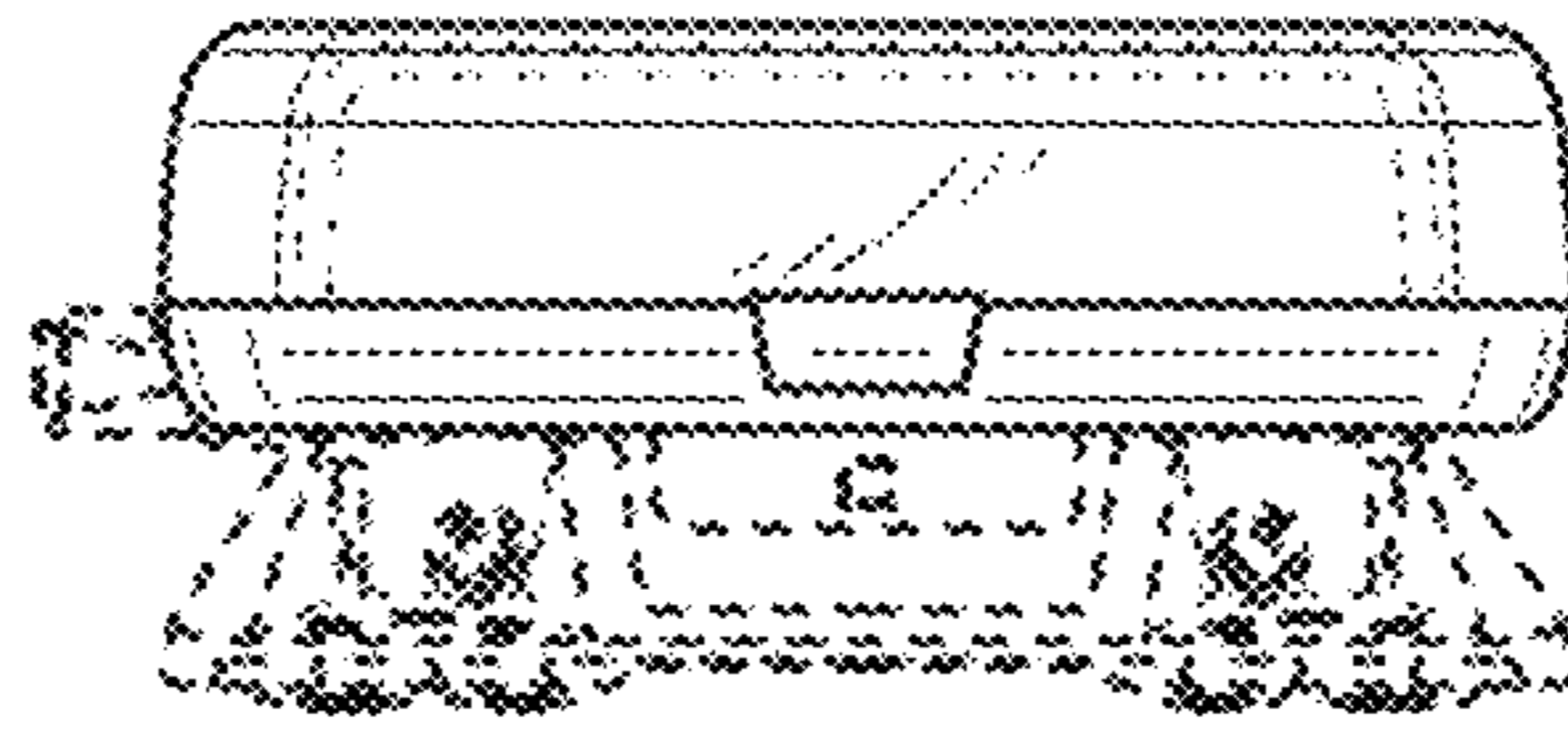


FIG. 4

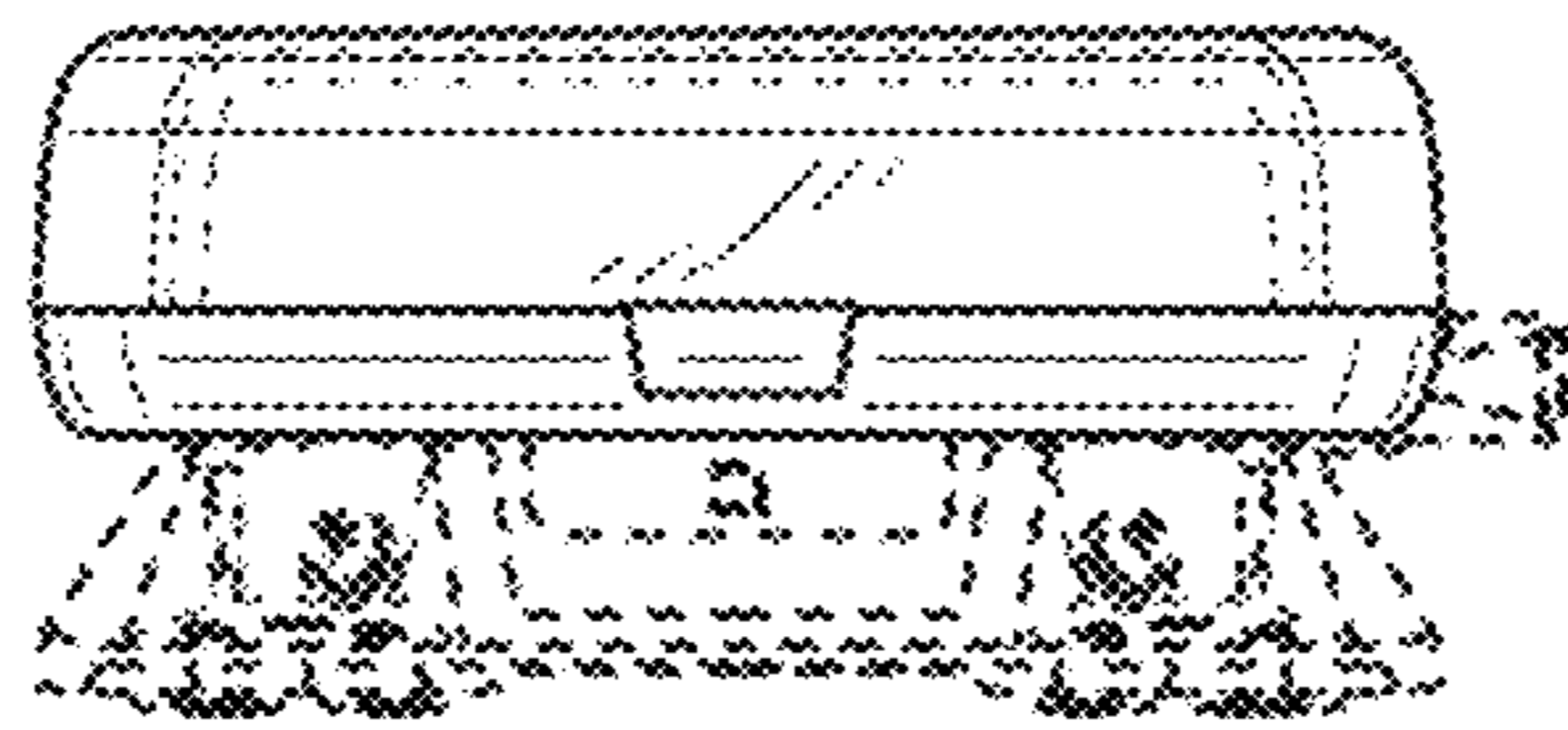


FIG. 5

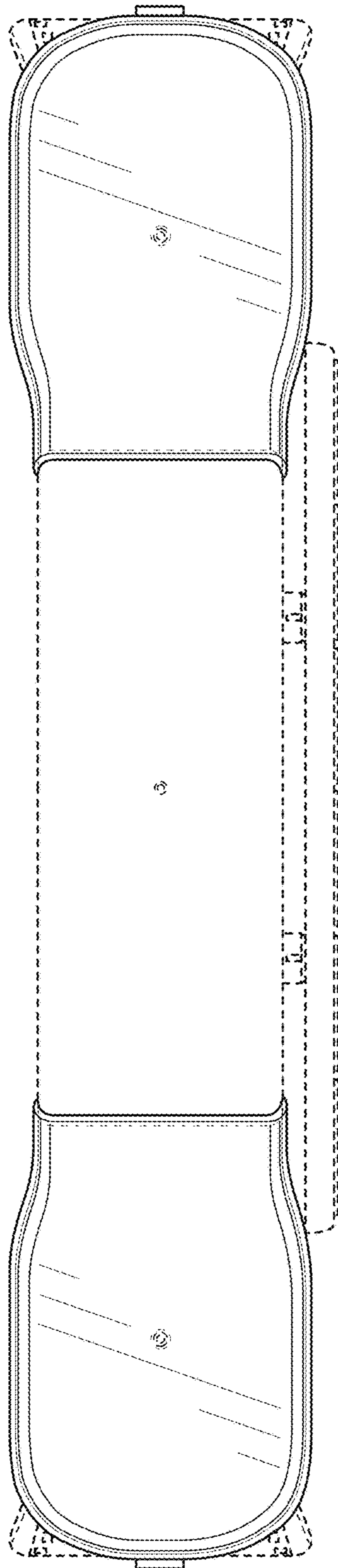


FIG. 6

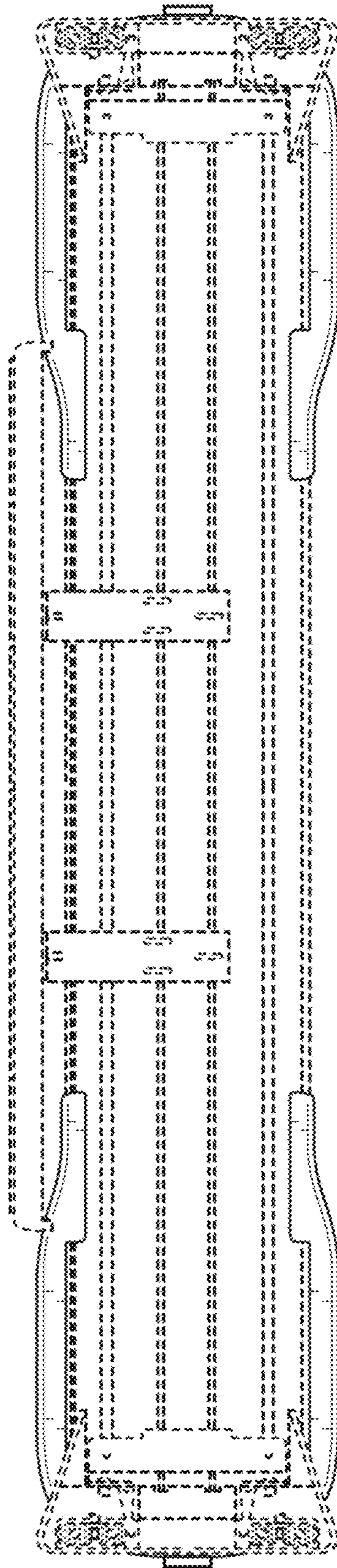


FIG. 7



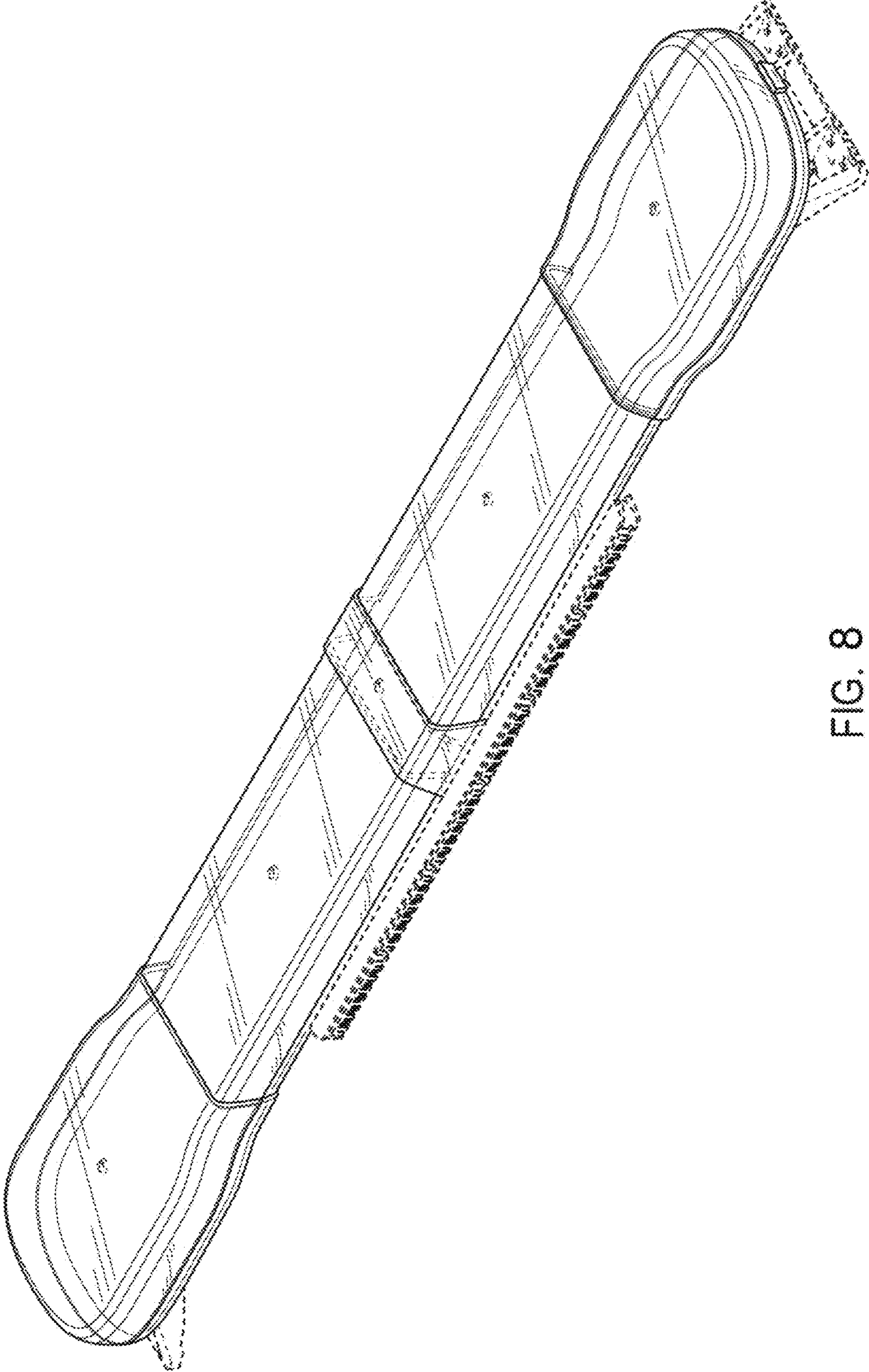


FIG. 8

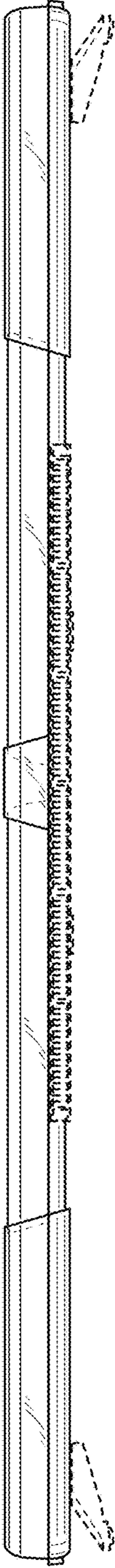


FIG. 9

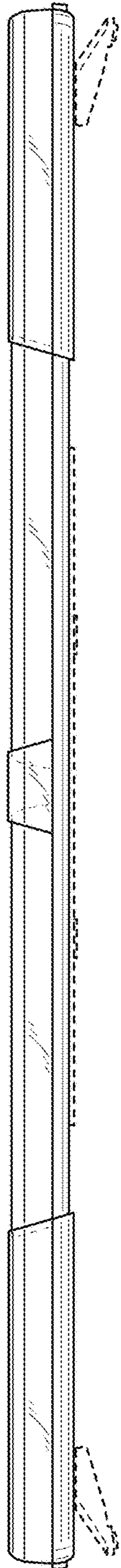


FIG. 10



FIG. 11

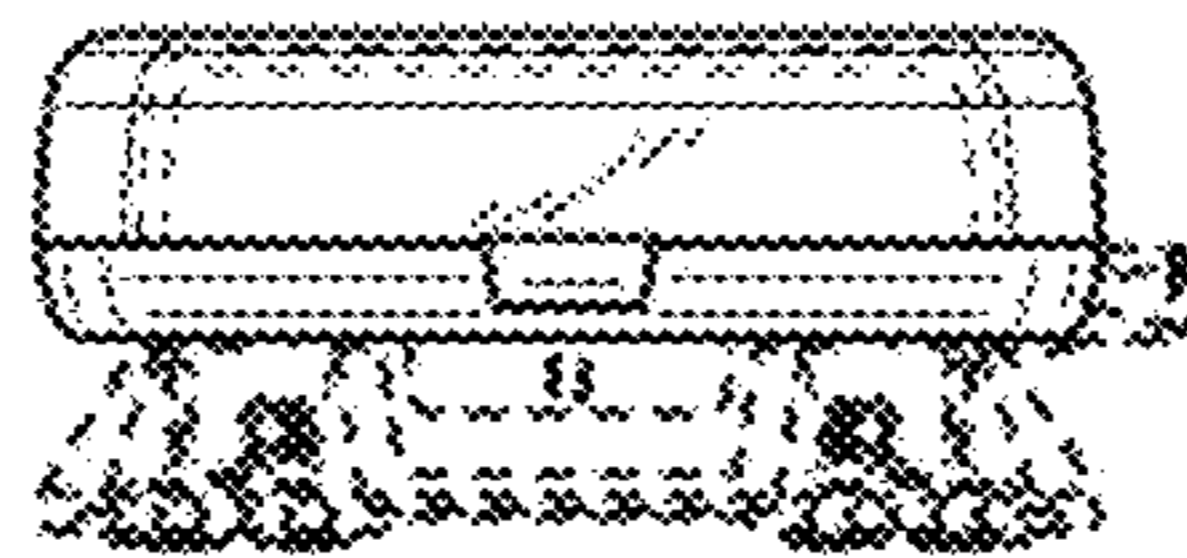


FIG. 12

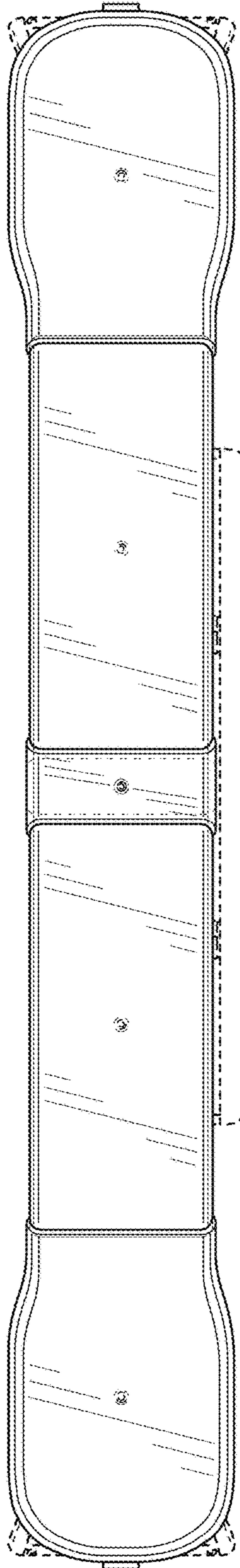


FIG. 13



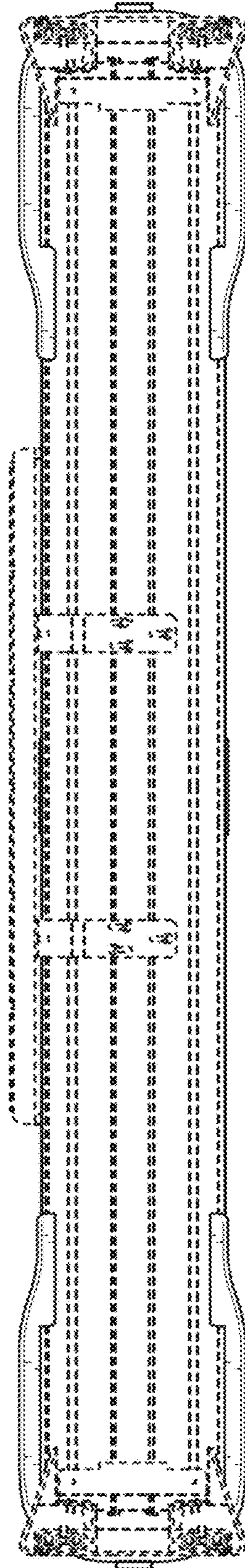


FIG. 14