



US00D791628S

(12) **United States Design Patent** (10) **Patent No.:** **US D791,628 S**  
**Ganrude et al.** (45) **Date of Patent:** **\*\* Jul. 11, 2017**

(54) **FOLDABLE SCALE**

- (71) Applicant: **Taylor Precision Products, Inc.**, Oak Brook, IL (US)
- (72) Inventors: **Jared Ganrude**, Hoffman Estates, MI (US); **Corinne Sayers**, Naperville, IL (US); **Jeffrey David Koon**, Naperville, IL (US)
- (73) Assignee: **Taylor Precision Products, Inc.**, Oak Brook, IL (US)
- (\*\*) Term: **15 Years**
- (21) Appl. No.: **29/556,981**
- (22) Filed: **Mar. 4, 2016**
- (51) **LOC (10) Cl.** ..... **10-04**
- (52) **U.S. Cl.**  
USPC ..... **D10/91; D10/92**
- (58) **Field of Classification Search**  
USPC ..... **D10/87, 88, 91, 92**  
(Continued)

(56) **References Cited**

**U.S. PATENT DOCUMENTS**

- D274,991 S 8/1984 Wirtz
  - 4,765,421 A \* 8/1988 Newton ..... G01G 3/15  
177/127
- (Continued)

**FOREIGN PATENT DOCUMENTS**

- CN 102607686 B 3/2012
- CN 202582700 U 3/2012

*Primary Examiner* — Antoine D Davis  
(74) *Attorney, Agent, or Firm* — Brooks Kushman P.C.

(57) **CLAIM**

The ornamental design for a foldable scale, as shown and described.

**DESCRIPTION**

FIG. 1 is a top perspective view of a foldable scale in an unfolded configuration according to an embodiment;

FIG. 2 is a bottom perspective view of the foldable scale in the unfolded configuration;  
 FIG. 3 is a top elevational view of the foldable scale in the unfolded configuration;  
 FIG. 4 is a front elevational view of the foldable scale in the unfolded configuration;  
 FIG. 5 is a left side elevational view of the foldable scale in the unfolded configuration;  
 FIG. 6 is a bottom elevational view of the foldable scale in the unfolded configuration;  
 FIG. 7 is a rear elevational view of the foldable scale in the unfolded configuration;  
 FIG. 8 is a right side elevational view of the foldable scale in the unfolded configuration;  
 FIG. 9 is a top perspective view of the foldable scale in a semi-folded configuration;  
 FIG. 10 is a bottom perspective view of the foldable scale in the semi-folded configuration;  
 FIG. 11 is a left side elevational view of the foldable scale in the semi-folded configuration;  
 FIG. 12 is a right side elevational view of the foldable scale in the semi-folded configuration;  
 FIG. 13 is a front elevational view of the foldable scale in the semi-folded configuration;  
 FIG. 14 is a rear elevational view of the foldable scale in the semi-folded configuration;  
 FIG. 15 is a bottom elevational view of the foldable scale in the semi-folded configuration;  
 FIG. 16 is a top elevational view of the foldable scale in the semi-folded configuration;  
 FIG. 17 is a top perspective view of the foldable scale in a folded configuration;  
 FIG. 18 is a bottom perspective view of the foldable scale in the folded configuration;  
 FIG. 19 is a front elevational view of the foldable scale in the folded configuration;  
 FIG. 20 is a rear elevational view of the foldable scale in the folded configuration;  
 FIG. 21 is a bottom elevational view of the foldable scale in the folded configuration;  
 FIG. 22 is a top elevational view of the foldable scale in the folded configuration;  
 FIG. 23 is a left side elevational view of the foldable scale in the folded configuration; and,

(Continued)

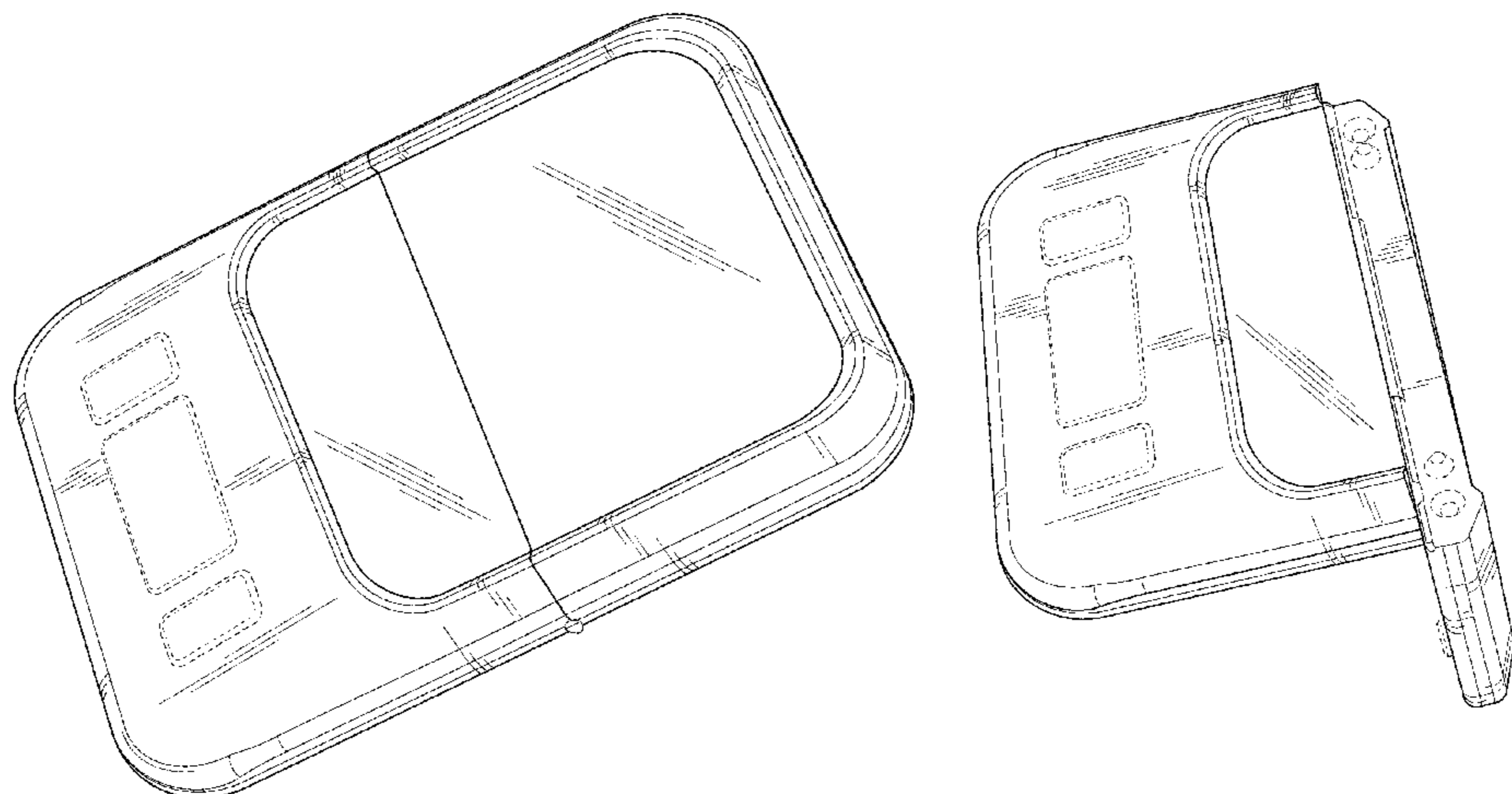


FIG. 24 is a right side elevational view of the foldable scale in the folded configuration.

In FIGS. 1-24, contour lines and shading shown in the drawings are intended to represent the approximate three-dimensional contours of the design, and are not intended to indicate surface decoration. The broken lines shown in the drawings are for illustrative purposes only and form no part of the claimed design.

**1 Claim, 11 Drawing Sheets**

(58) **Field of Classification Search**

CPC .... G01G 19/005; G01G 19/44; G01G 19/445;  
G01G 19/50; G01G 21/22; G01G 21/28;  
G01G 21/283

See application file for complete search history.

(56) **References Cited**

U.S. PATENT DOCUMENTS

D451,834 S \* 12/2001 Montagnino ..... D10/92

6,441,323	B1 *	8/2002	Montagnino	.....	G01G 19/44 177/126
D470,782	S *	2/2003	Motomizu	.....	D10/92
D489,014	S	4/2004	Schwamkrug		
7,022,920	B2 *	4/2006	Hulburt	.....	G01G 21/22 177/126
D519,866	S	5/2006	Mangano		
7,047,827	B1 *	5/2006	Mithal	.....	G01G 19/44 73/862.581
D529,831	S *	10/2006	Malhi	.....	D10/91
D531,074	S *	10/2006	Malhi	.....	D10/91
D550,574	S *	9/2007	Barnes	.....	D10/91
D562,712	S *	2/2008	Barnes	.....	D10/91
D581,301	S *	11/2008	Vantine	.....	D10/91
7,893,367	B2 *	2/2011	Gerster	.....	G01G 21/22 177/126
8,153,912	B2	4/2012	Gerster et al.		
D699,611	S	2/2014	Holding et al.		
D740,146	S	10/2015	Li		
2008/0245580	A1	10/2008	Aby-Eva et al.		
2010/0181119	A1	7/2010	Saigh et al.		

\* cited by examiner

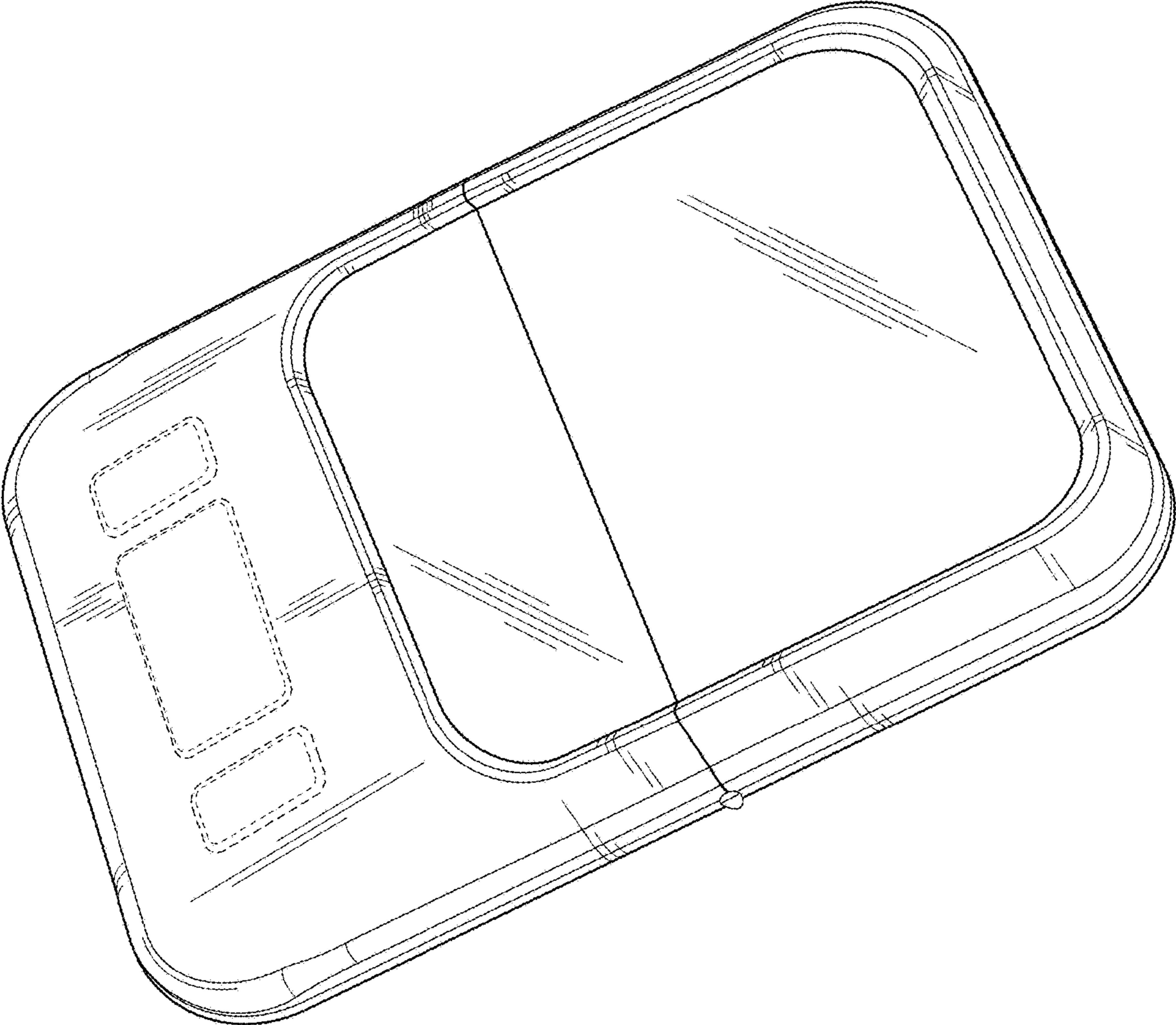


FIG. 1

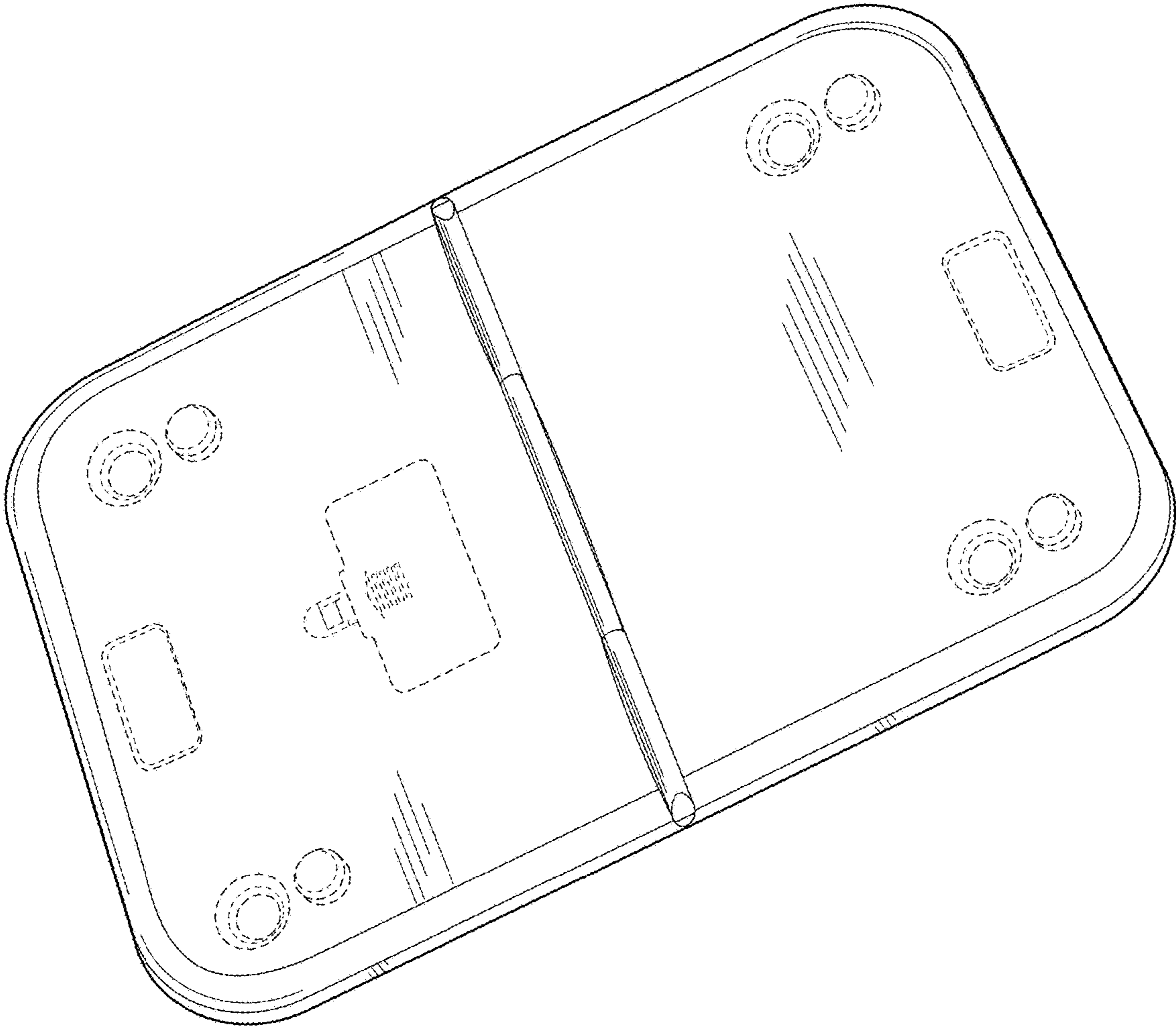


FIG. 2

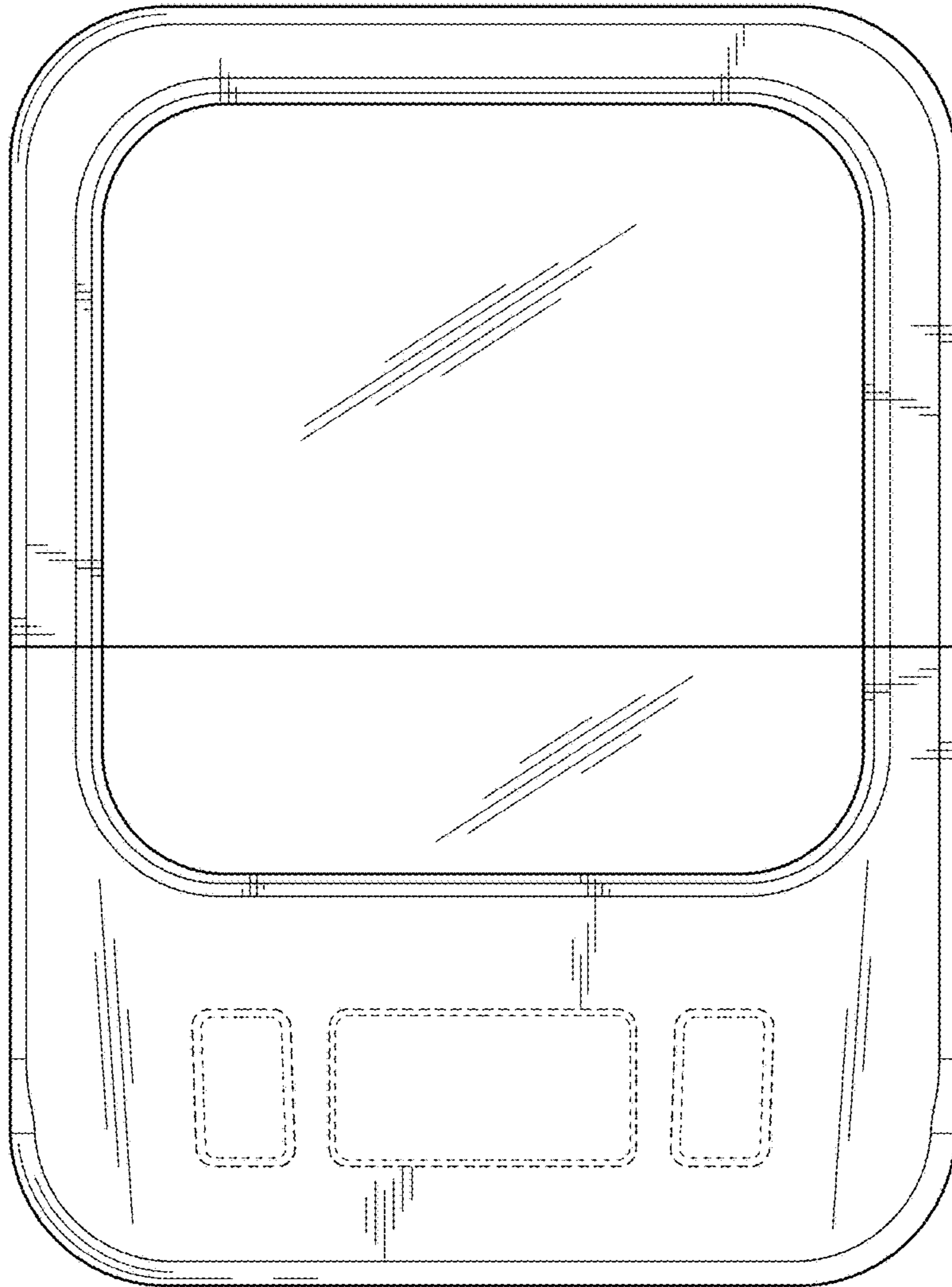


FIG. 3



FIG. 4

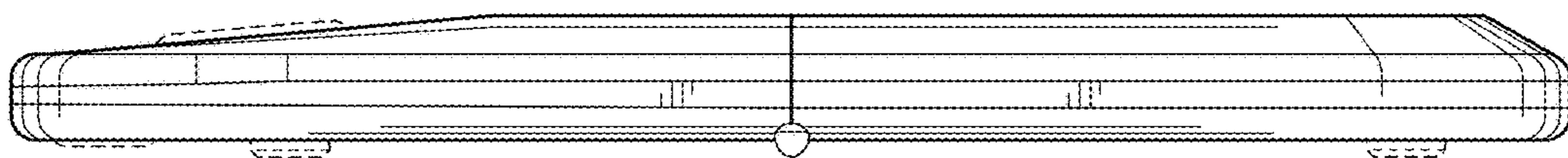


FIG. 5

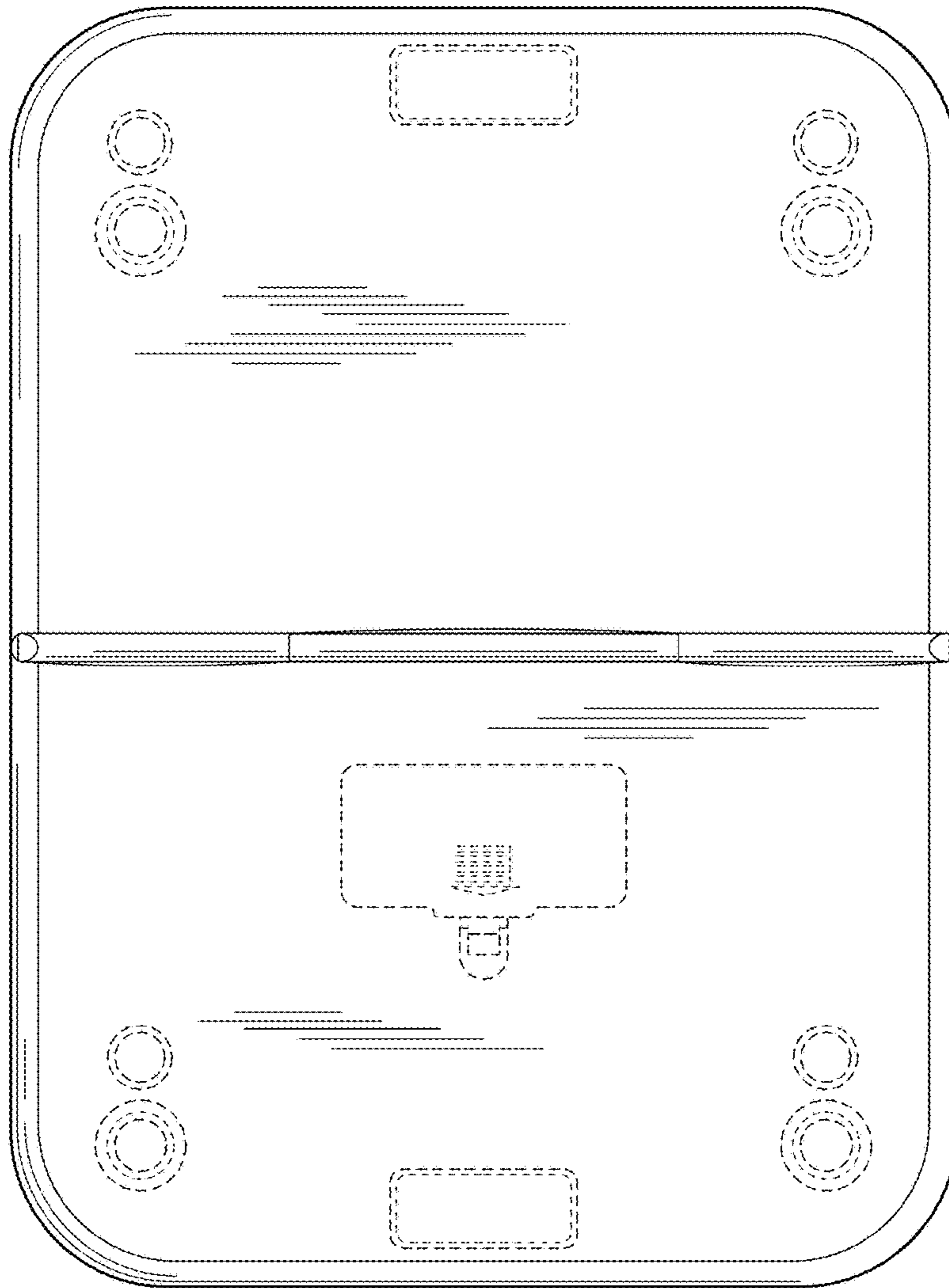


FIG. 6

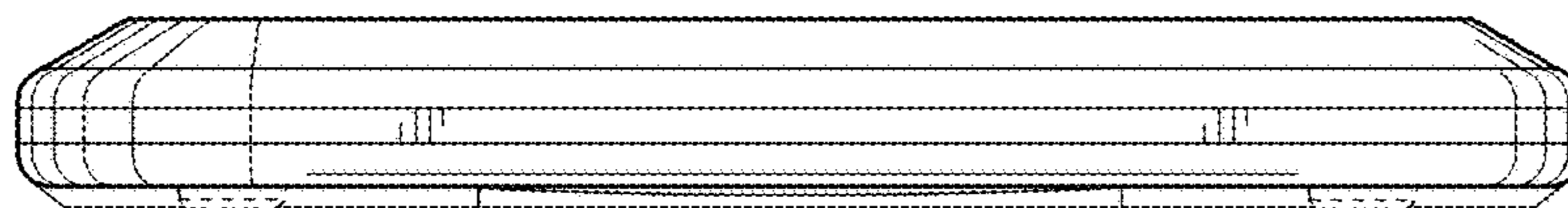


FIG. 7

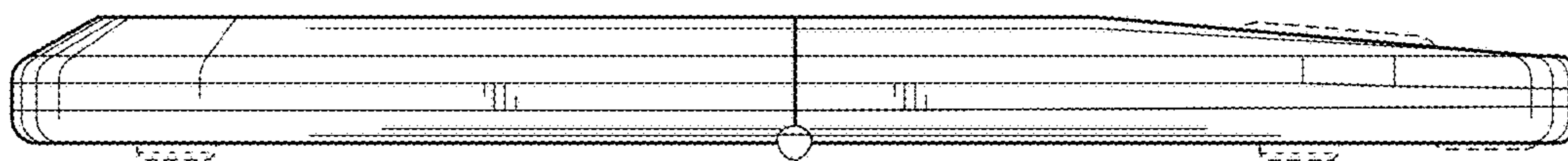


FIG. 8

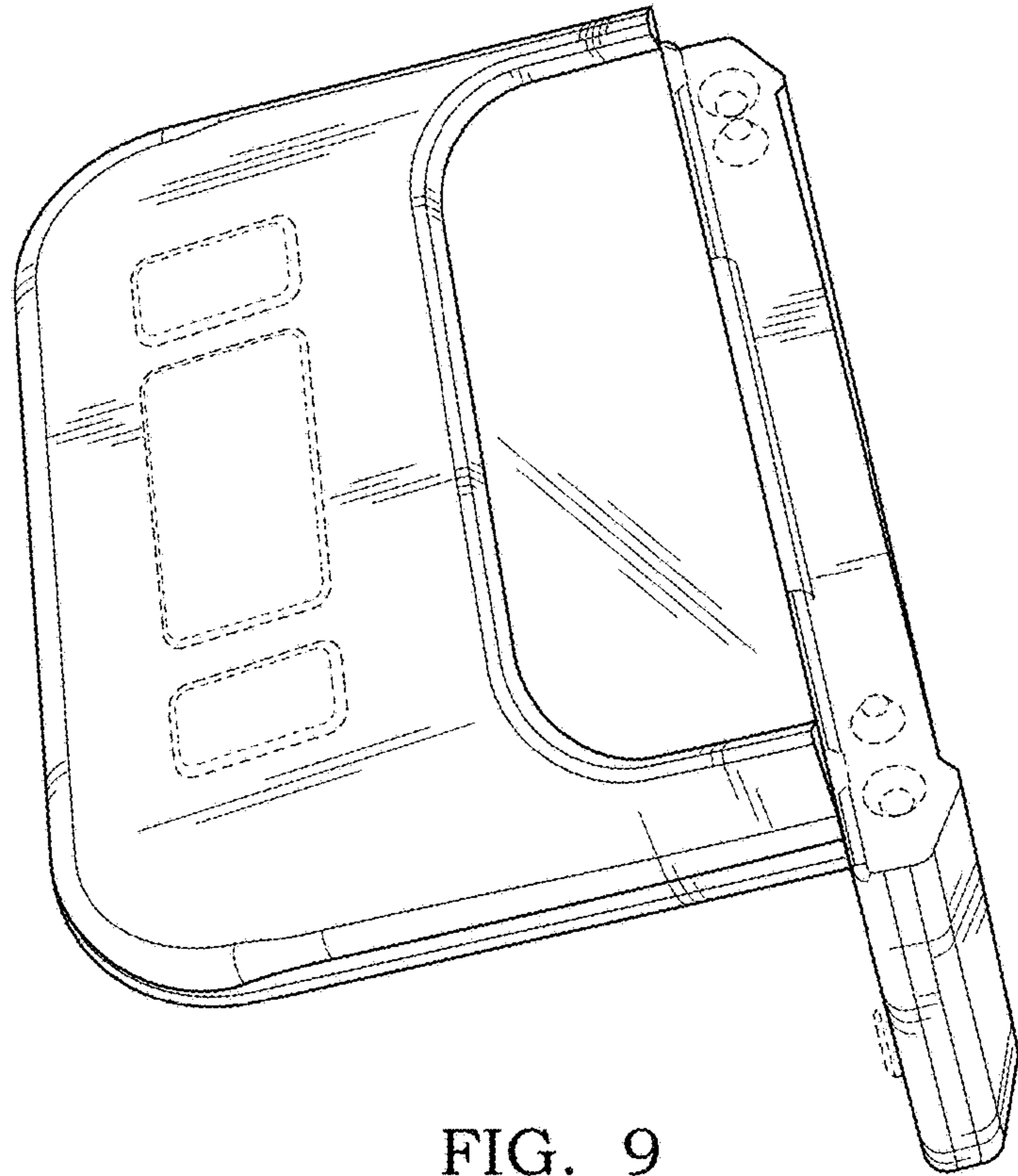


FIG. 9

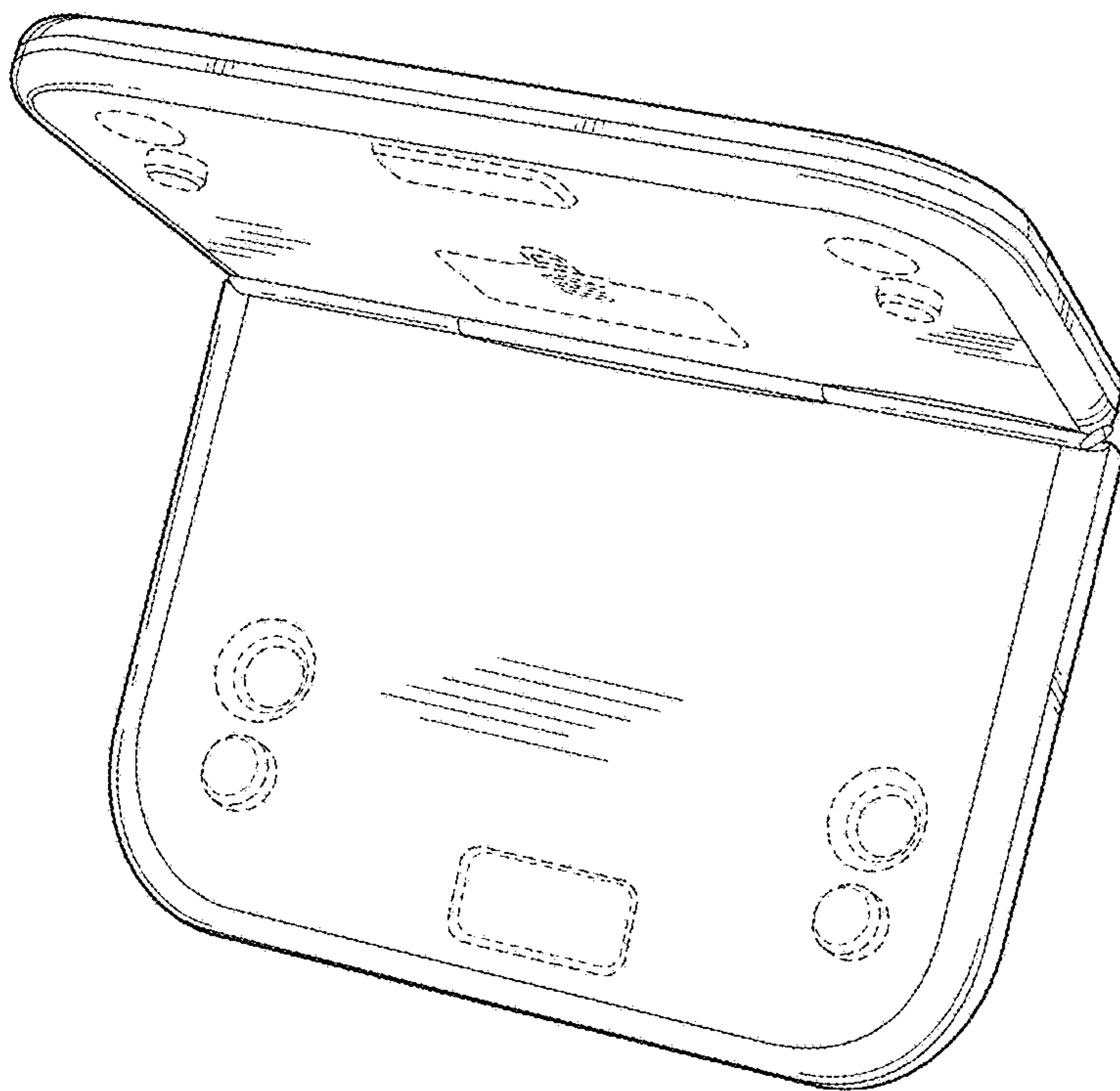


FIG. 10

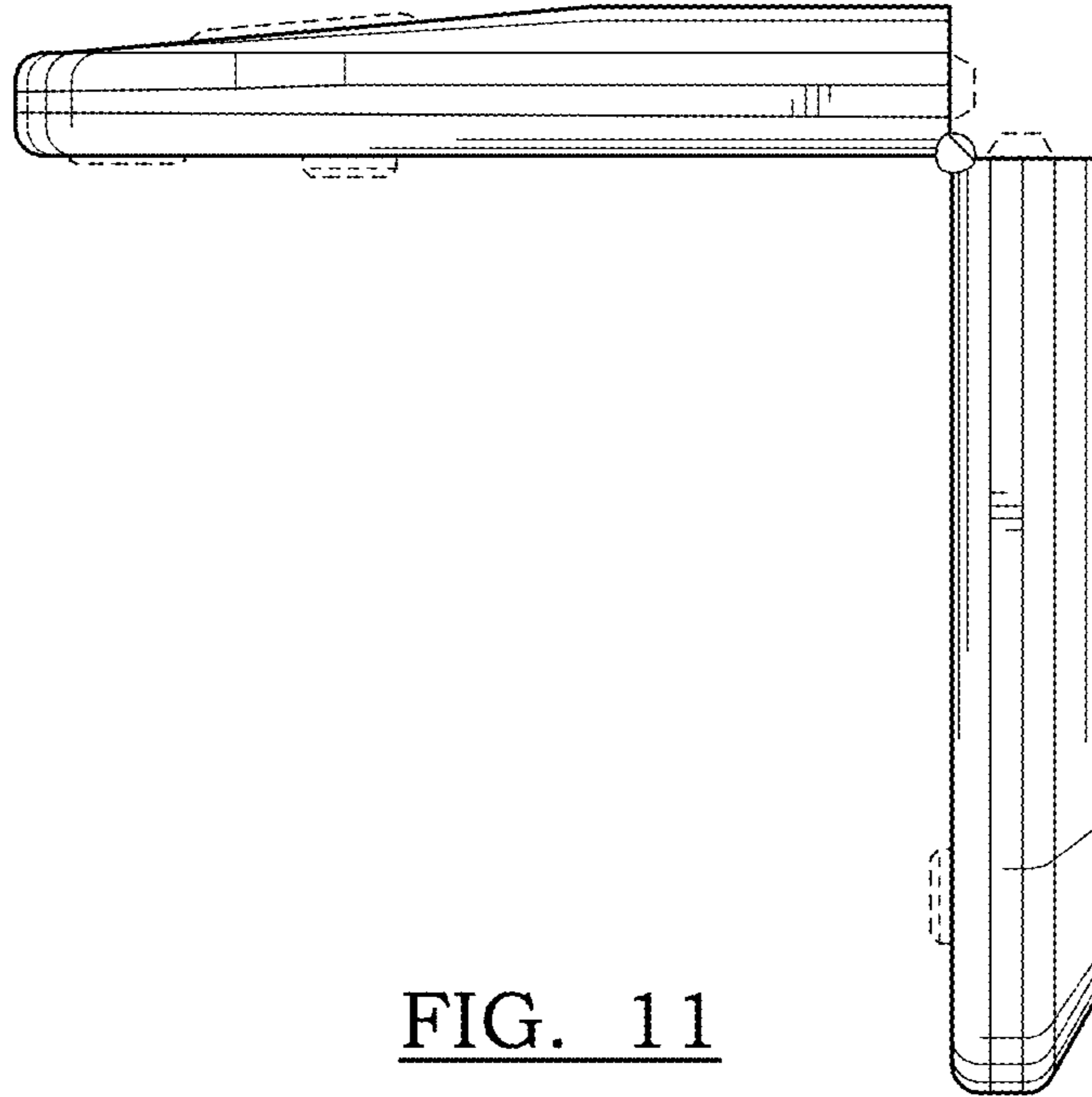


FIG. 11

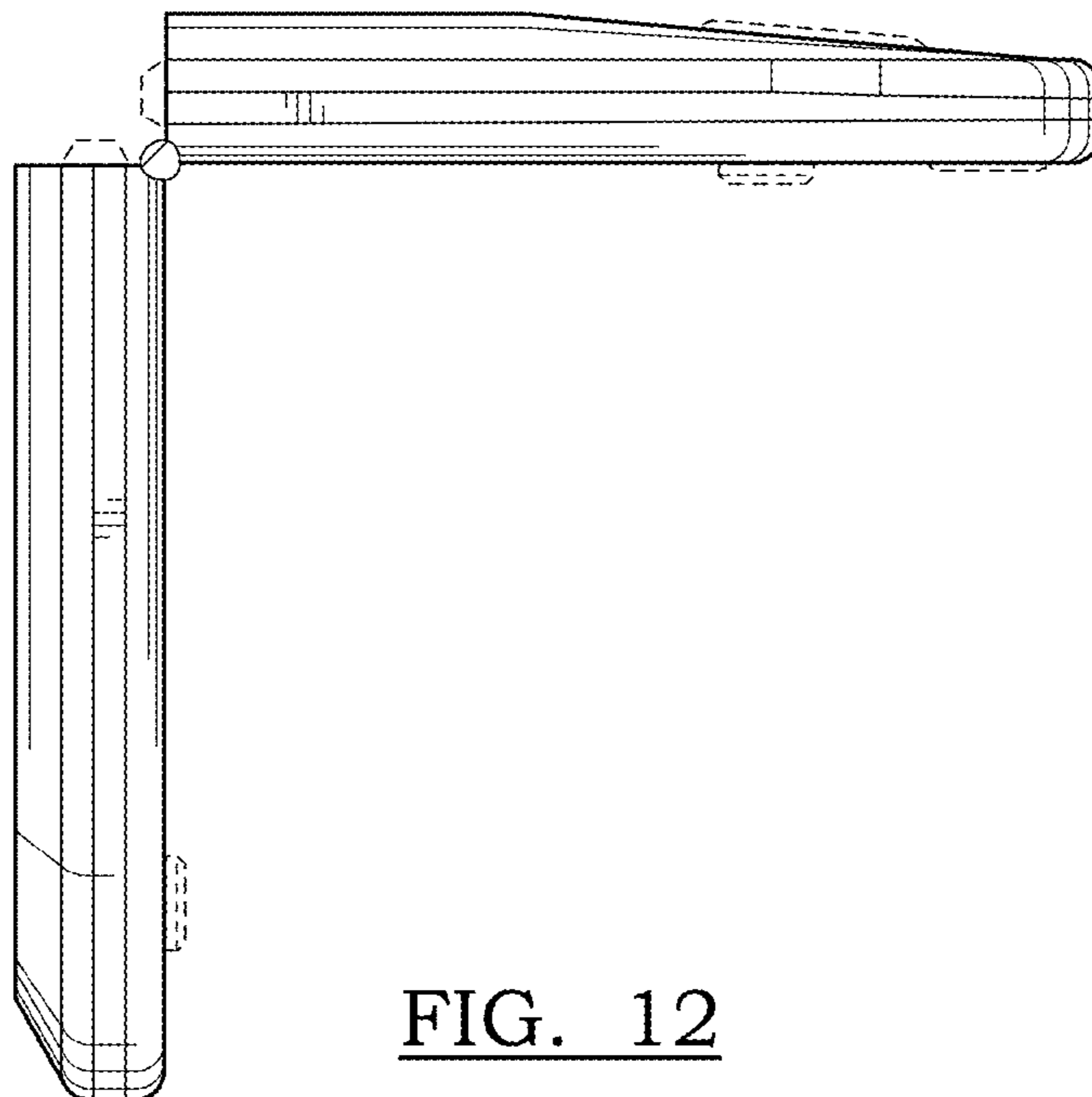


FIG. 12



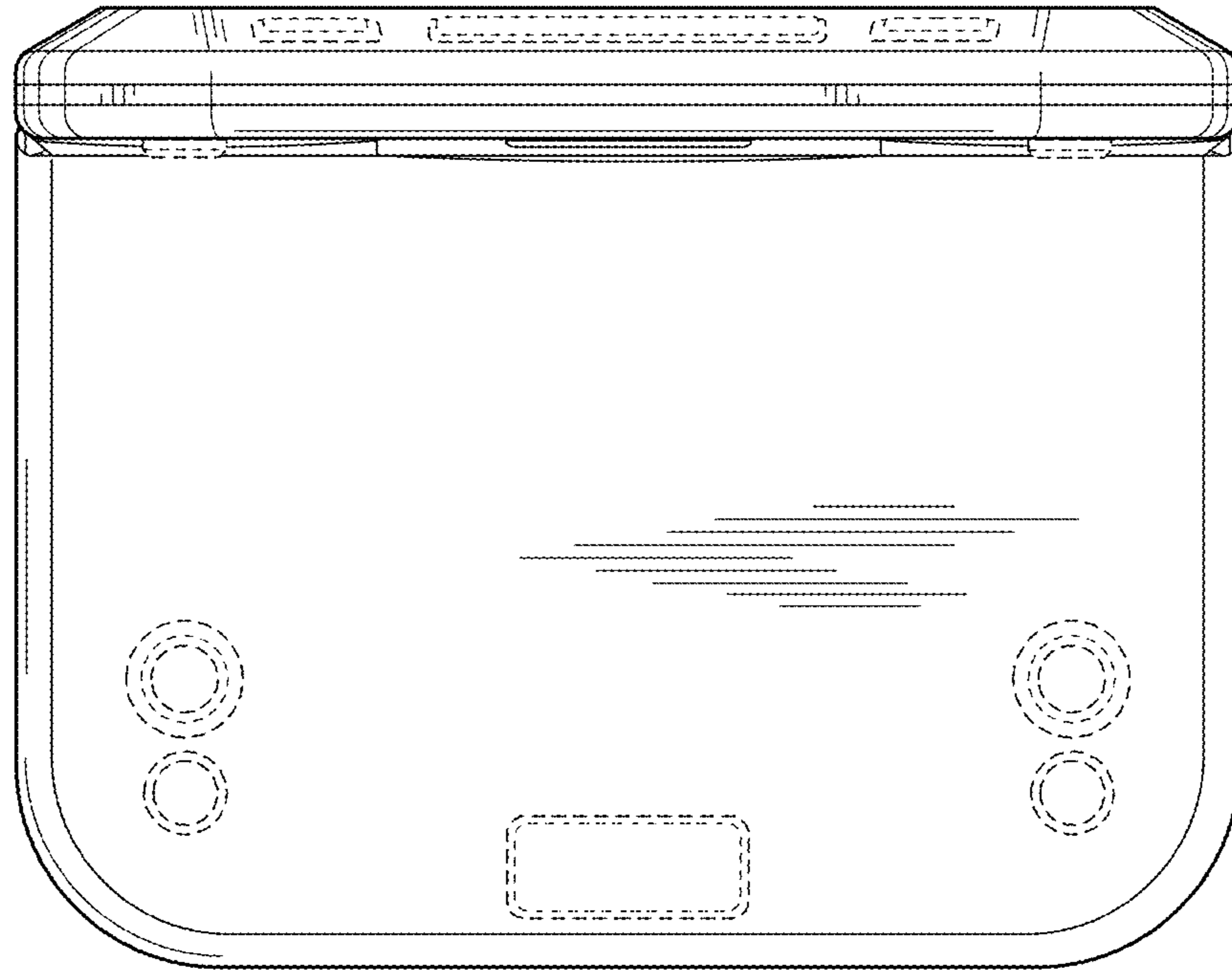


FIG. 13

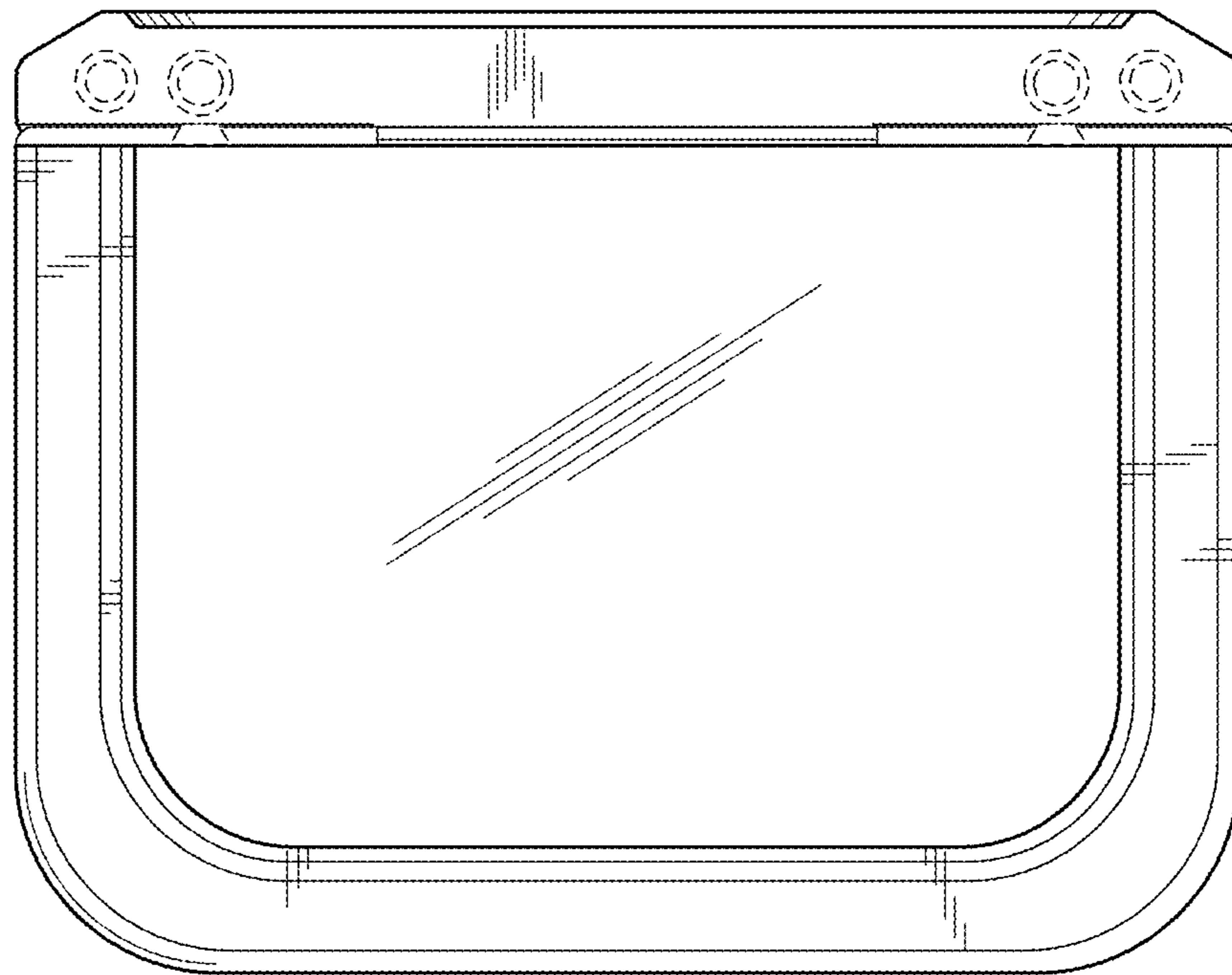


FIG. 14

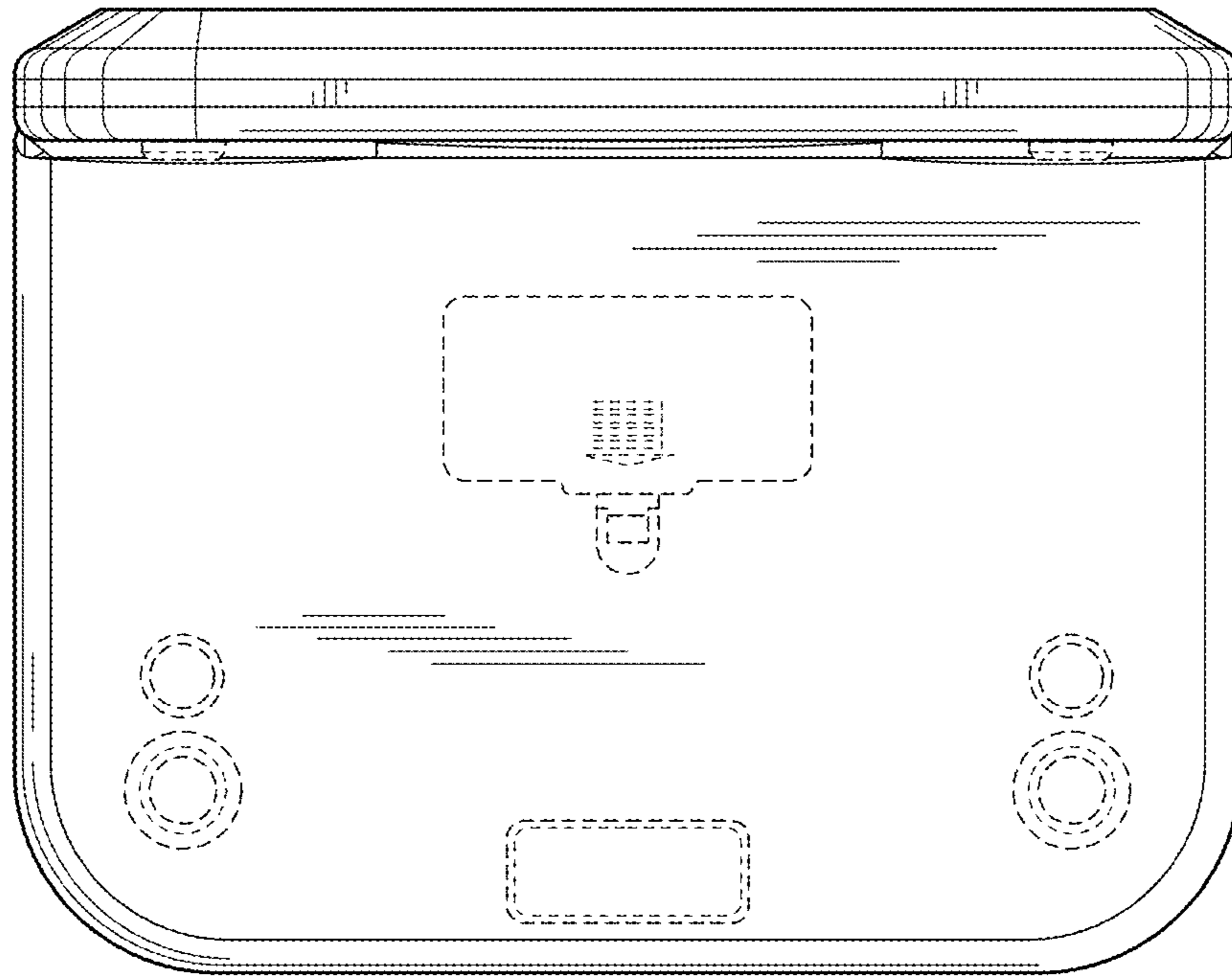


FIG. 15

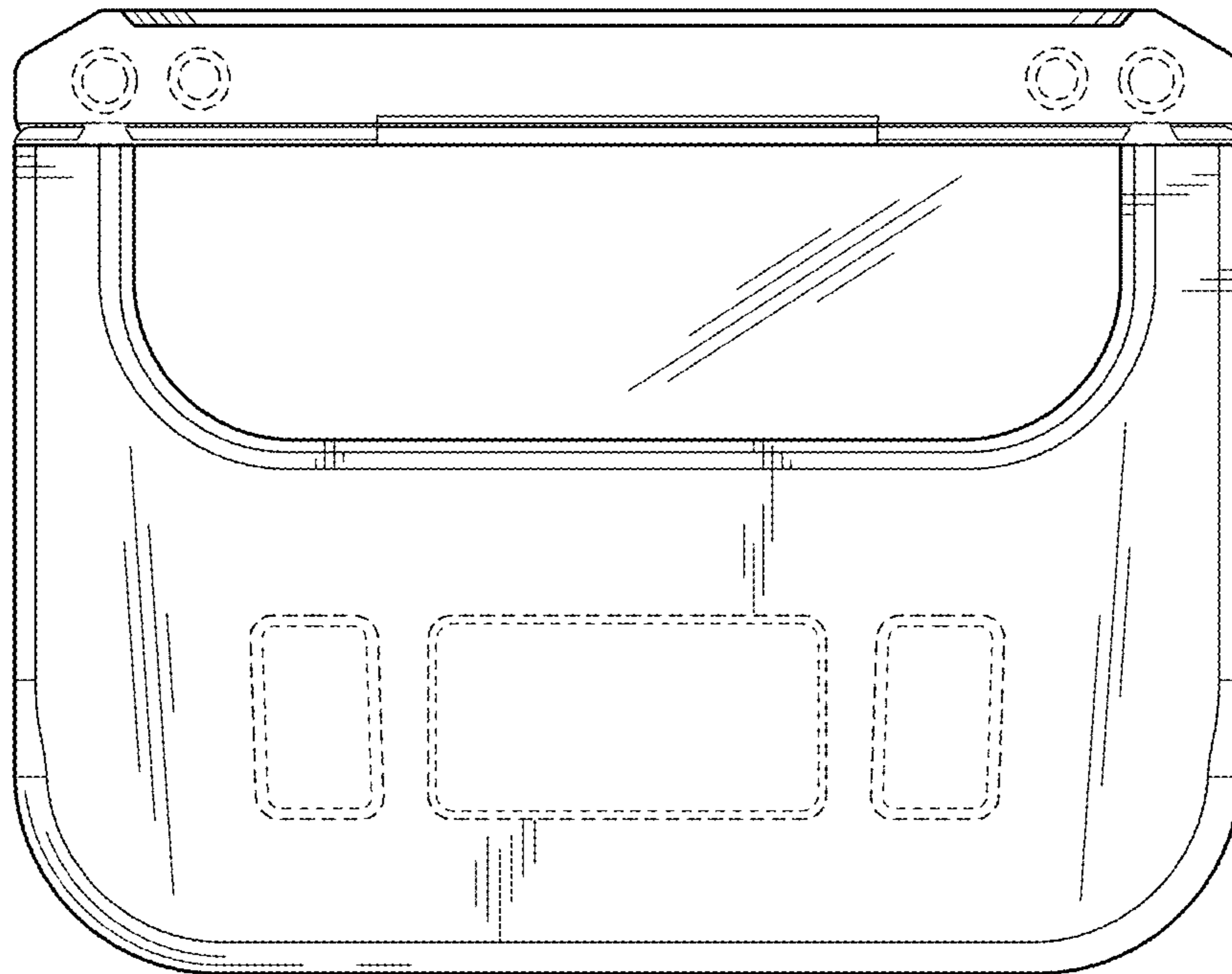


FIG. 16

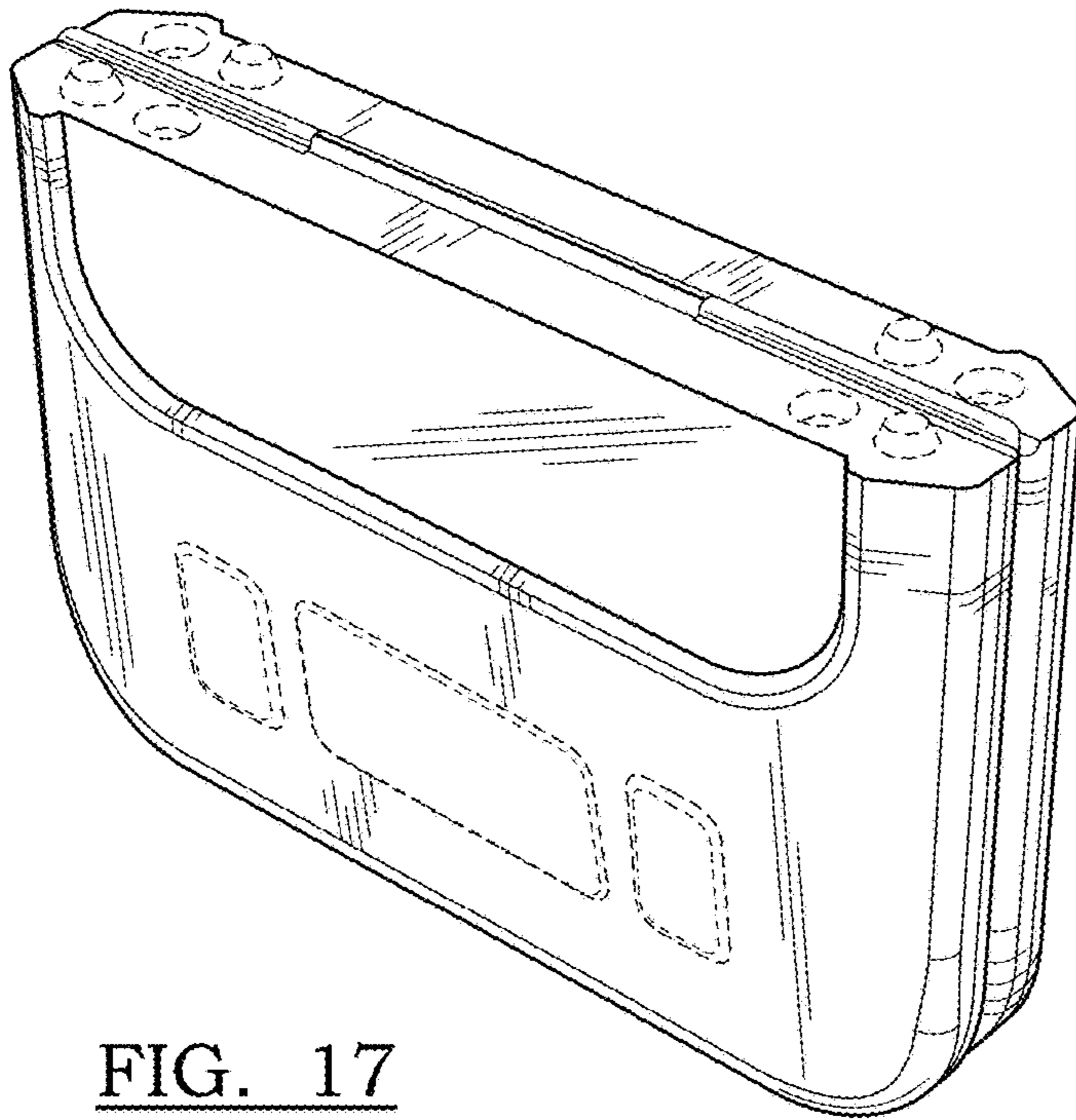


FIG. 17

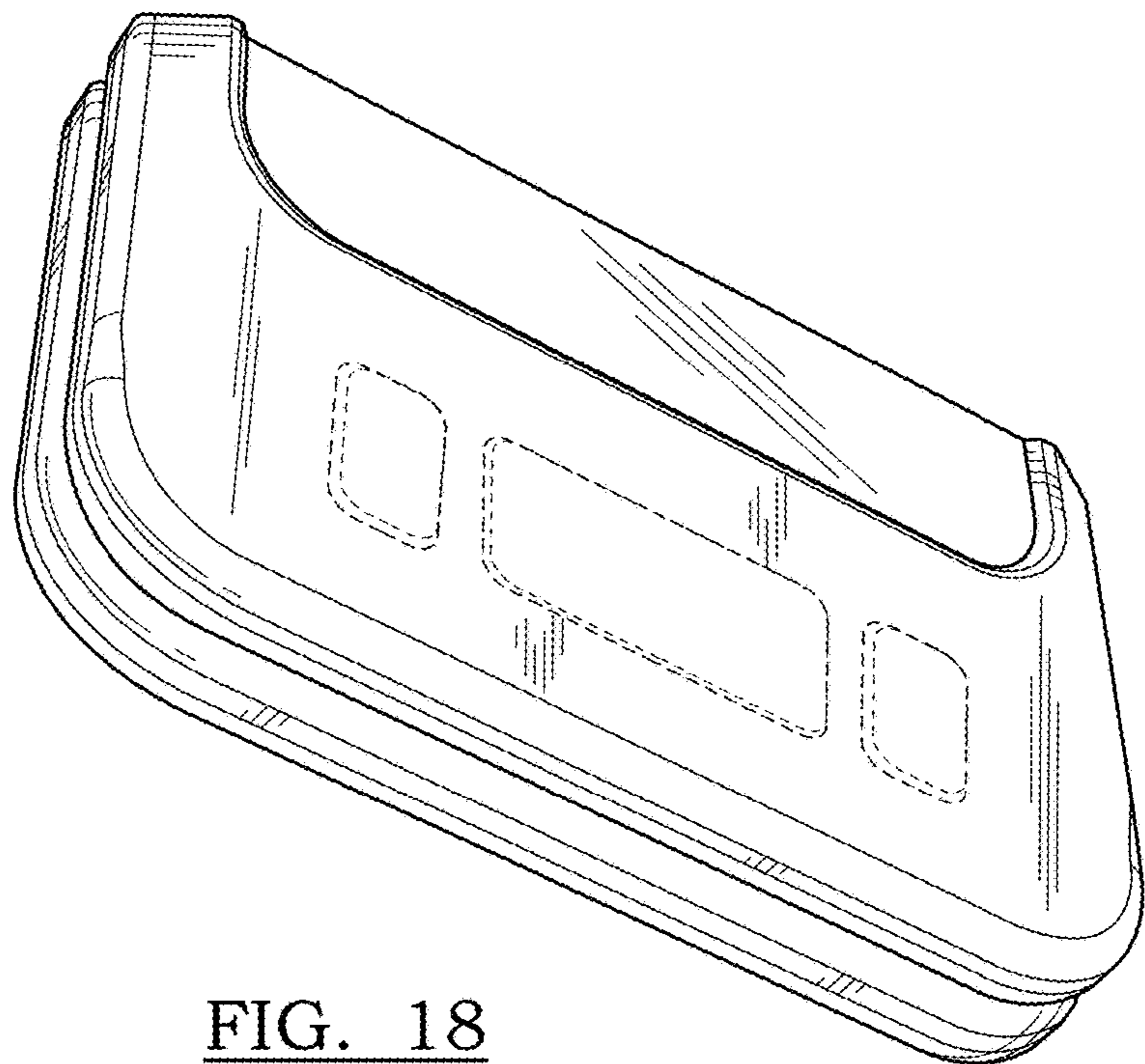


FIG. 18

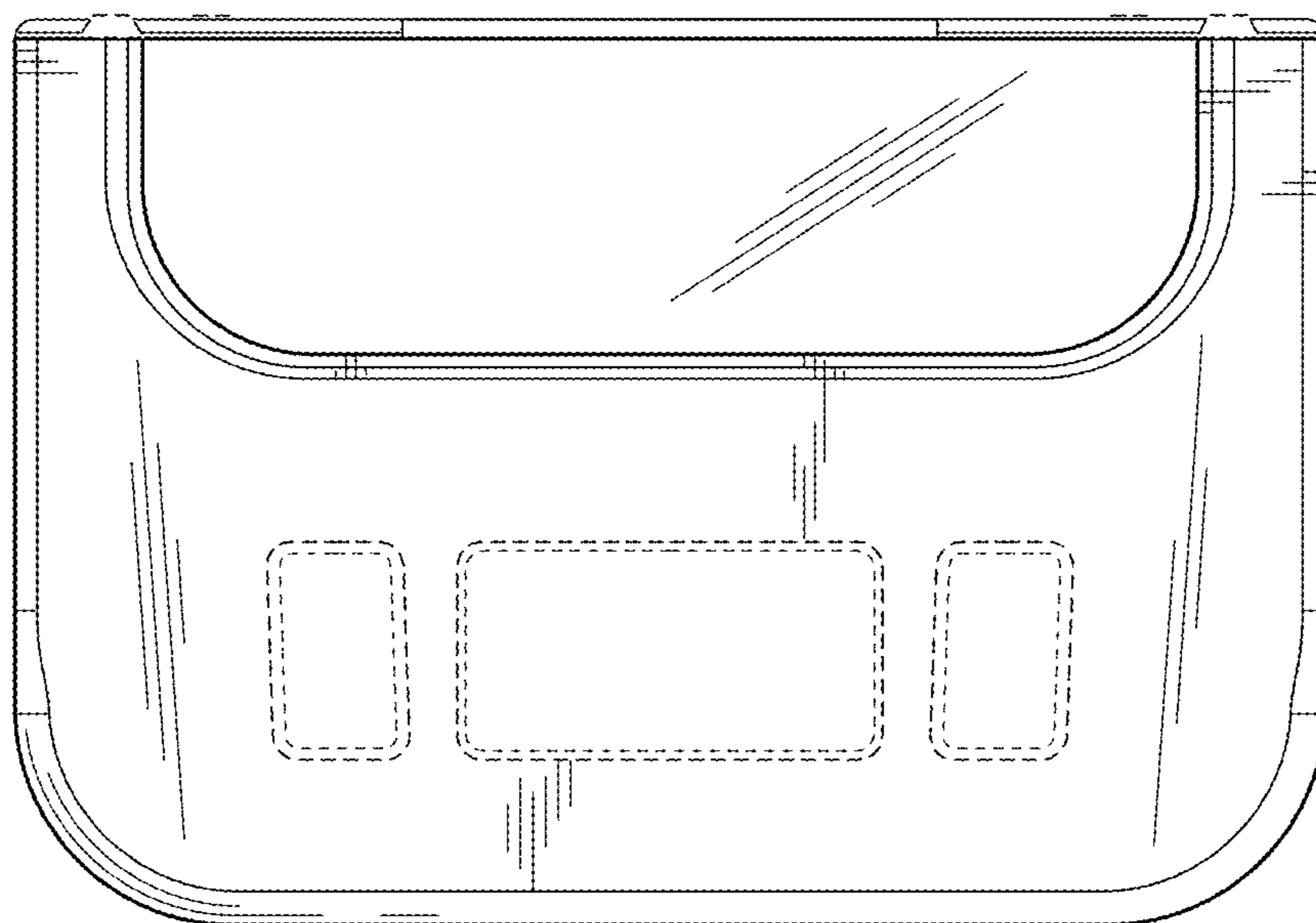


FIG. 19

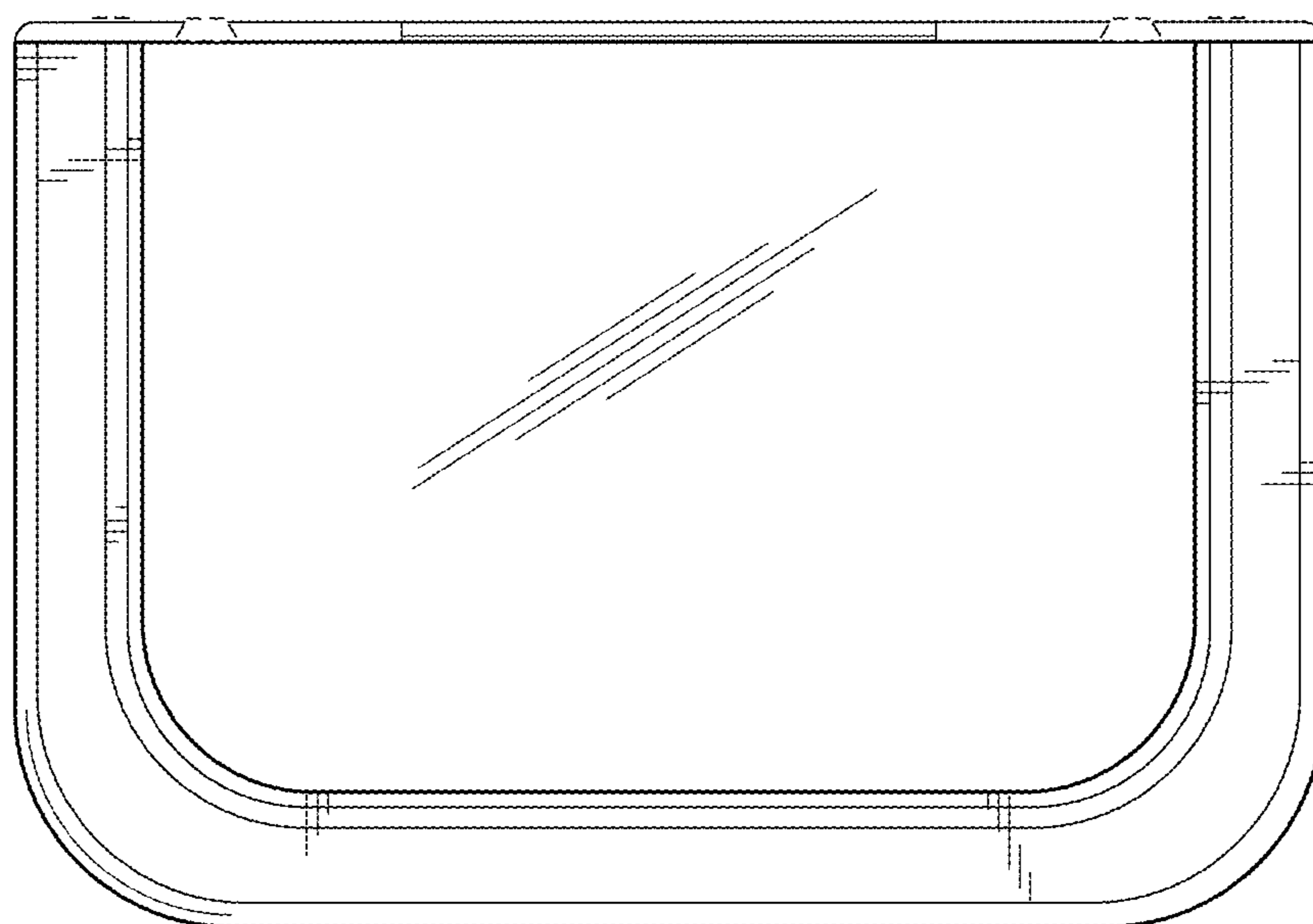


FIG. 20

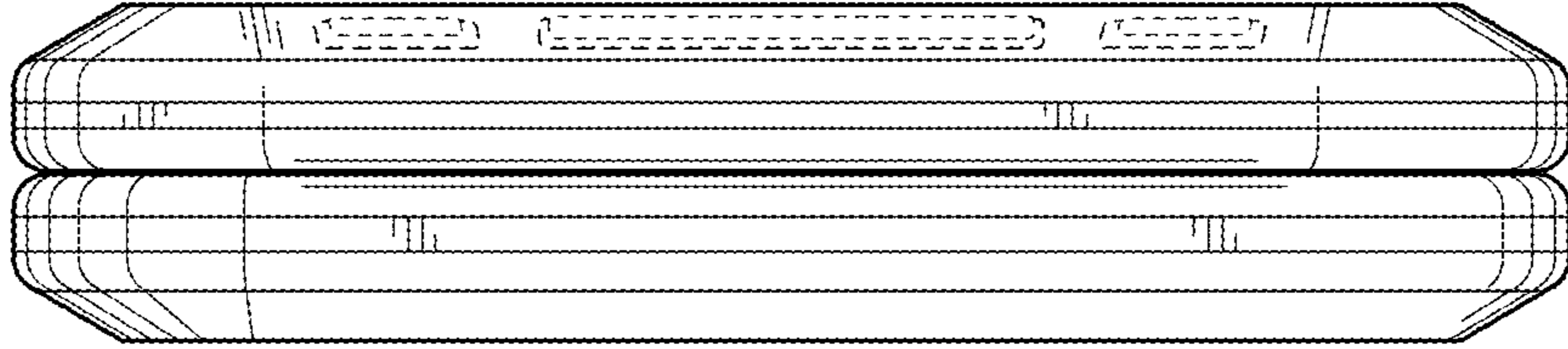


FIG. 21

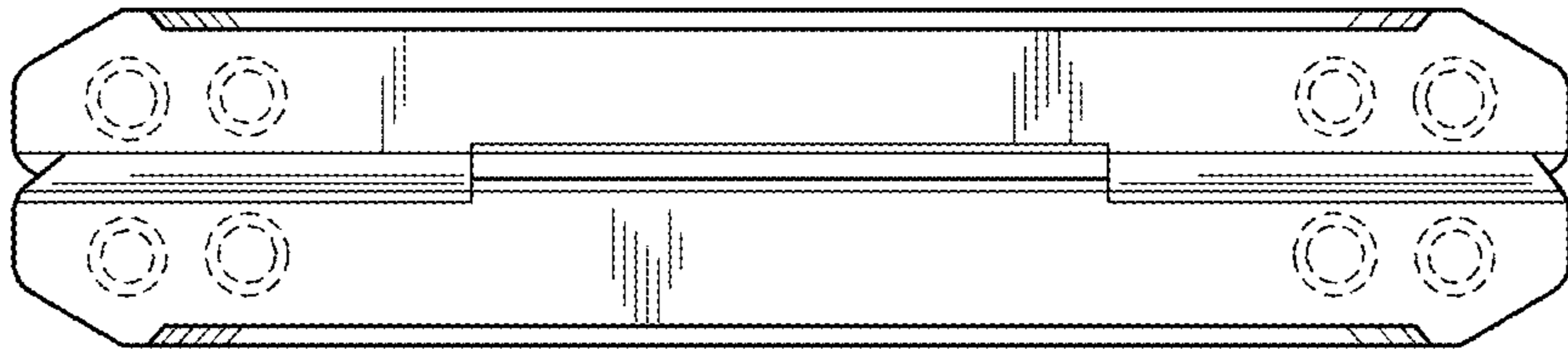


FIG. 22

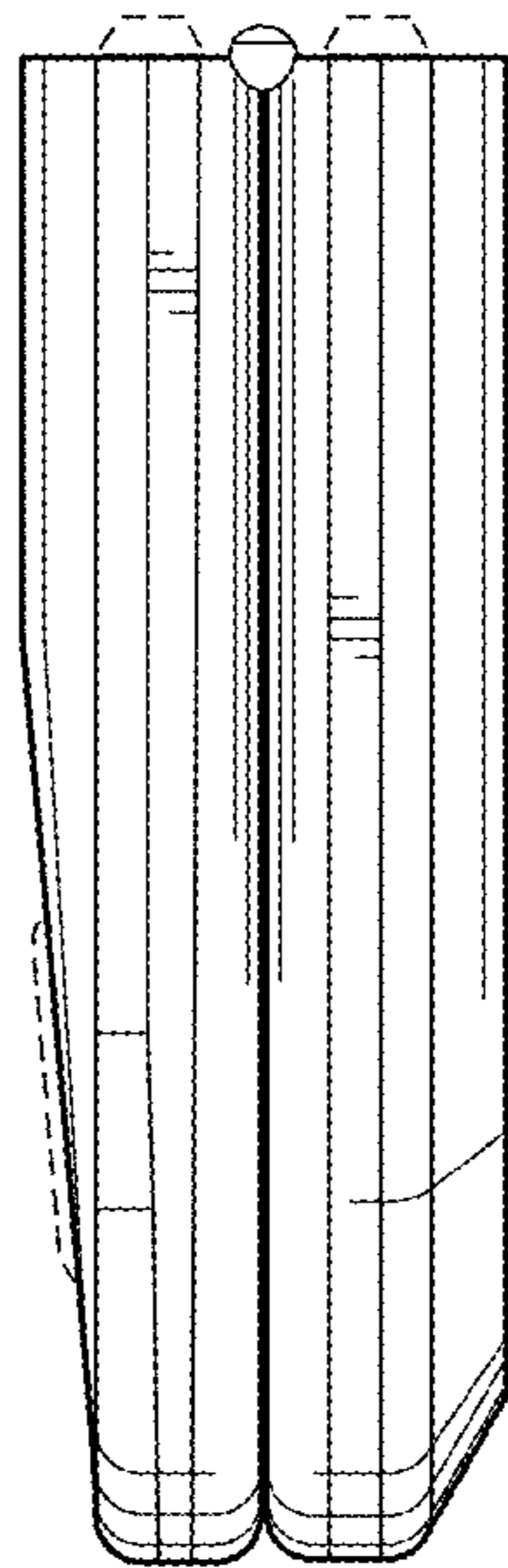


FIG. 23

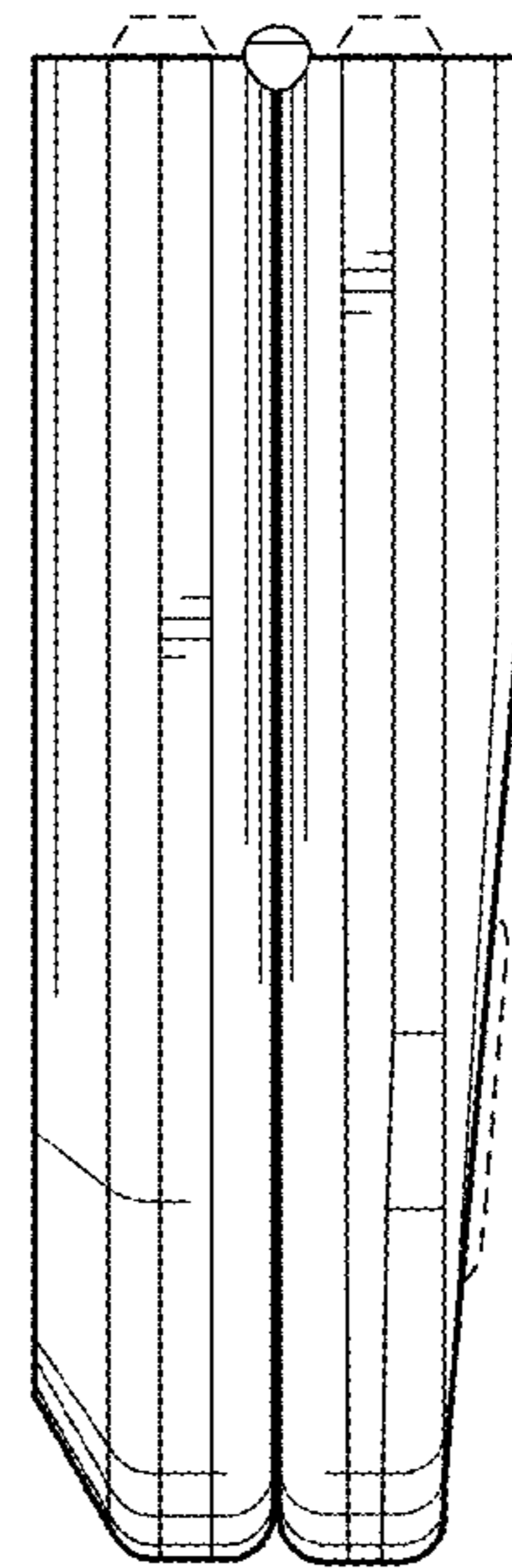


FIG. 24