

US00D791623S

(12) **United States Design Patent**
Mayfield et al.

(10) **Patent No.:** **US D791,623 S**
(45) **Date of Patent:** **** Jul. 11, 2017**

- (54) **DOWN MARKER** 4,404,543 A * 9/1983 Kracl G09F 11/02
116/222
- (71) Applicants: **William R. Mayfield**, Opelika, AL 4,837,957 A * 6/1989 Egender G09F 11/00
(US); **Avery Kennedy**, Wedowee, AL 40/488
(US) D304,844 S * 11/1989 Smith D10/46.1
D308,236 S * 5/1990 Egender D10/46.1
D518,390 S * 4/2006 Poffenberger D10/46.1
(72) Inventors: **William R. Mayfield**, Opelika, AL D596,961 S * 7/2009 Moran D10/46.1
(US); **Avery Kennedy**, Wedowee, AL 7,559,164 B1 * 7/2009 Riehlman A63B 71/0619
(US) 340/815.53
7,895,781 B2 * 3/2011 Gaetano A63B 71/0619
40/488
- (73) Assignee: **Roanoke Electronic Controls, Inc.**, 9,144,729 B2 * 9/2015 Foster A63B 71/0605
Roanoke, AL (US)

* cited by examiner

(**) Term: **15 Years**

Primary Examiner — Prabhakar Deshmukh

(21) Appl. No.: **29/562,758**

(74) *Attorney, Agent, or Firm* — Robert J Veal; Veal Intellectual Property, LLC

(22) Filed: **Apr. 28, 2016**

(51) **LOC (10) Cl.** **21-01**

(57) **CLAIM**

(52) **U.S. Cl.**
USPC **D10/46.1**

The ornamental design for a down marker, as shown and described.

(58) **Field of Classification Search**

DESCRIPTION

USPC D10/46, 46.1; 235/1 B; 116/222–225,
116/279, 280, DIG. 35; 273/281, 282.1,
273/287, 236, 148 A; 40/606.16, 617,
40/618; D21/302, 307

CPC . A63B 71/06; G09F 9/00; G09F 15/00; G09F
17/00

See application file for complete search history.

FIG. 1 is a front perspective view of a down marker showing our new design;
FIG. 2 is a rear perspective view thereof;
FIG. 3 is a front elevational view thereof;
FIG. 4 is a rear elevational view thereof;
FIG. 5 is a right side elevational view thereof;
FIG. 6 is a left side elevational view thereof;
FIG. 7 is a top plan view thereof; and,
FIG. 8 is a bottom plan view thereof.

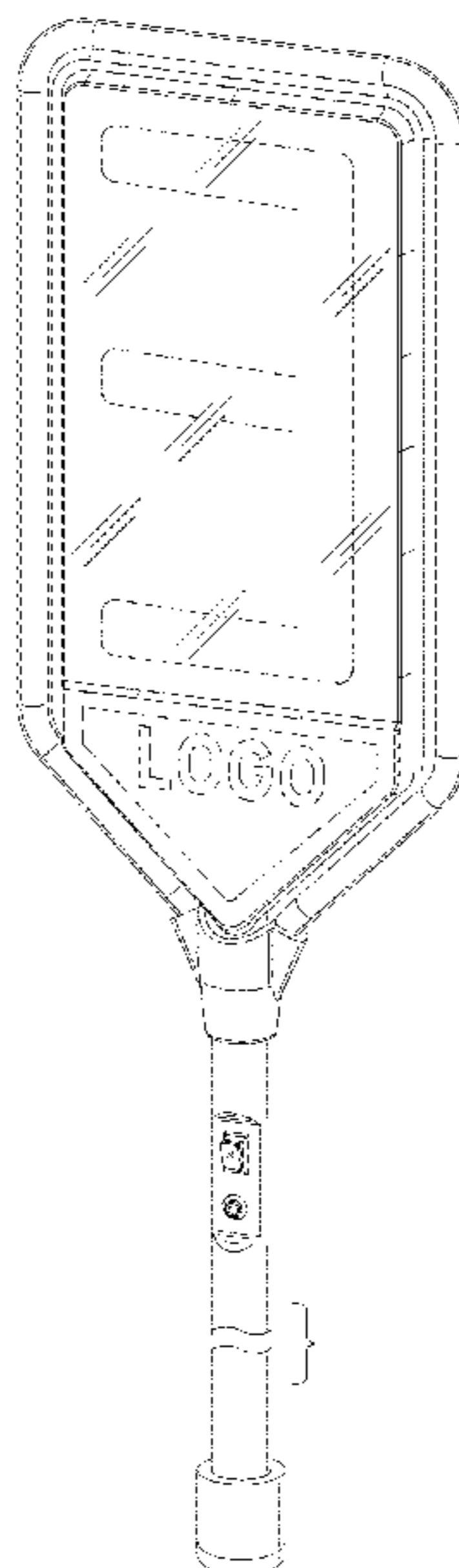
(56) **References Cited**

U.S. PATENT DOCUMENTS

- 1,635,719 A * 7/1927 Lipp A63B 71/0672
116/222
- 2,208,297 A * 7/1940 Lipp A63B 71/06
340/815.53
- D171,929 S * 4/1954 Cooper et al. D10/46.1
- 4,185,583 A * 1/1980 Stamm A63B 71/0672
116/225

The broken lines illustrate environment and forms no part of the claimed design. The break lines indicate undetermined length of the vertical stand and portions between said break lines form no part of the claimed design.

1 Claim, 3 Drawing Sheets



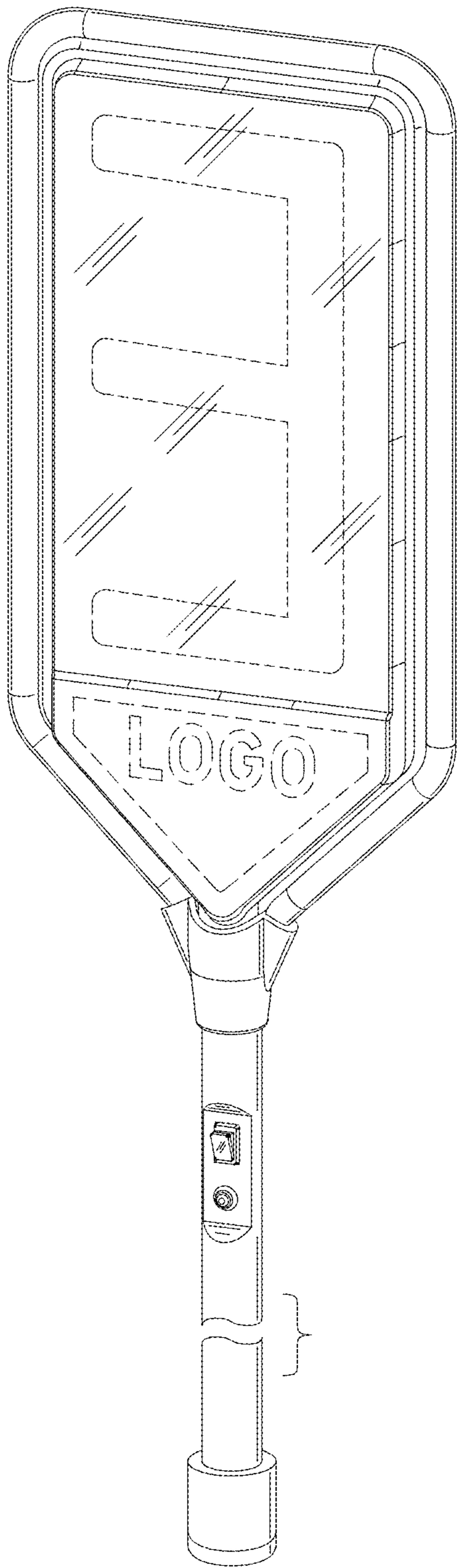


FIG. 1

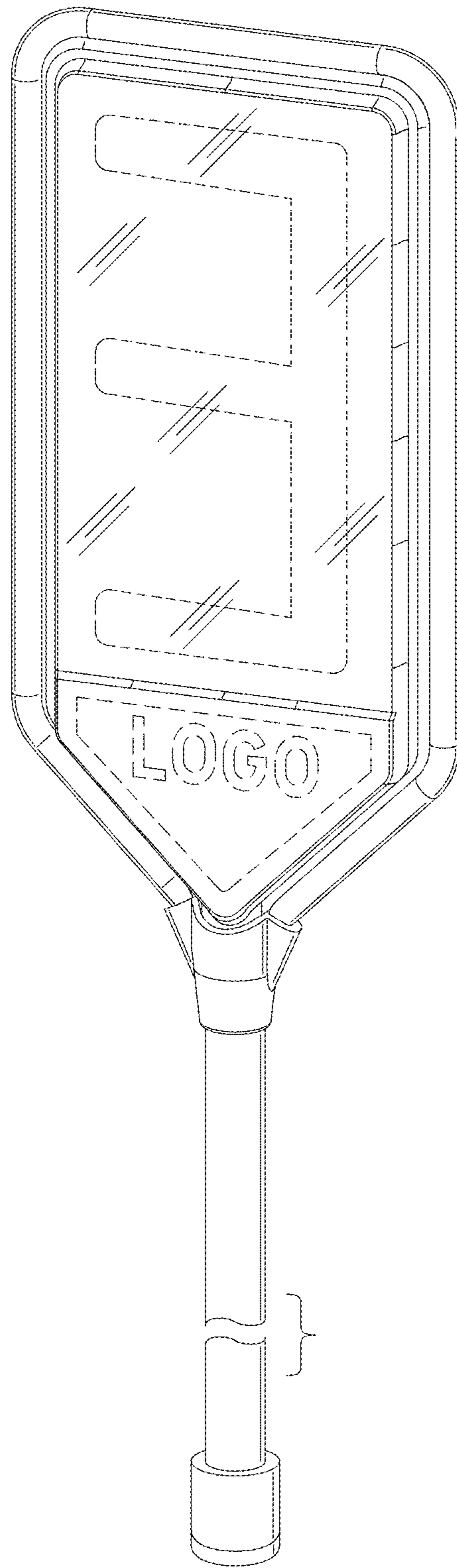


FIG. 2

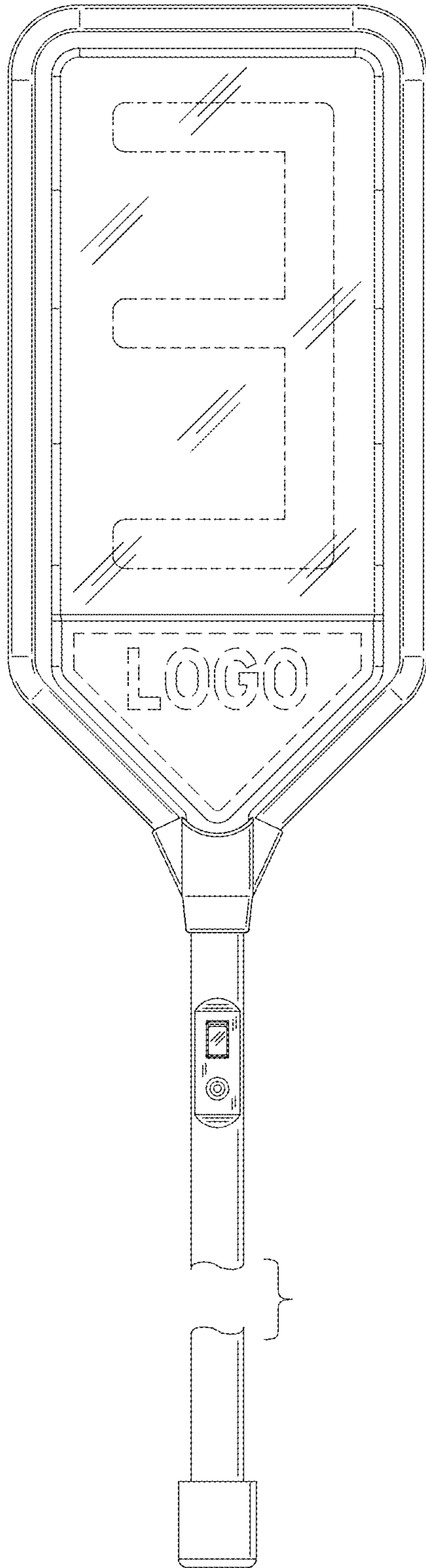


FIG. 3

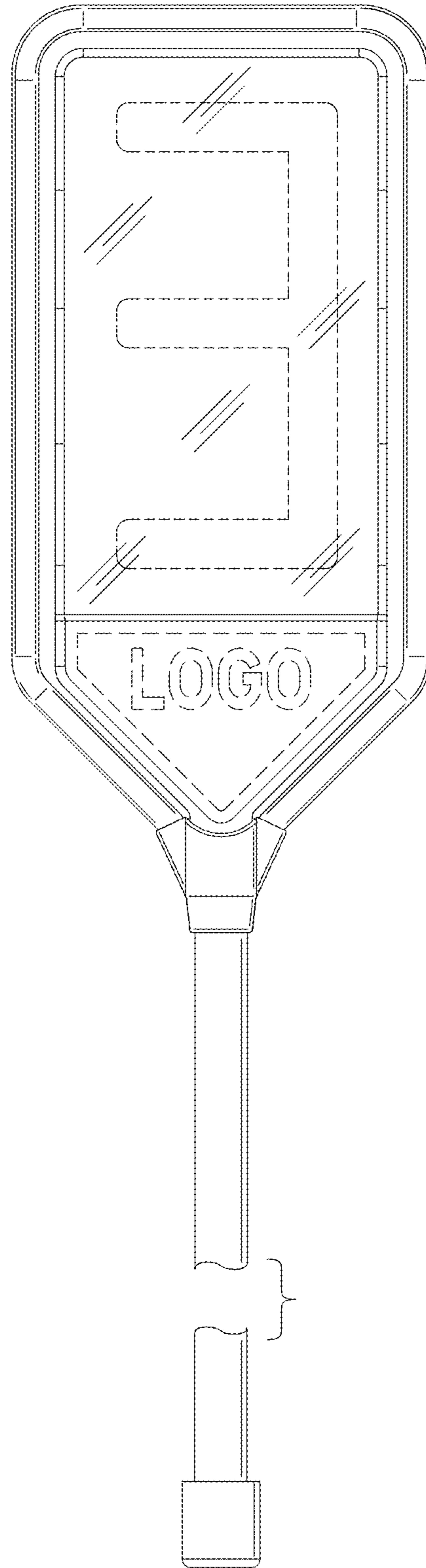


FIG. 4

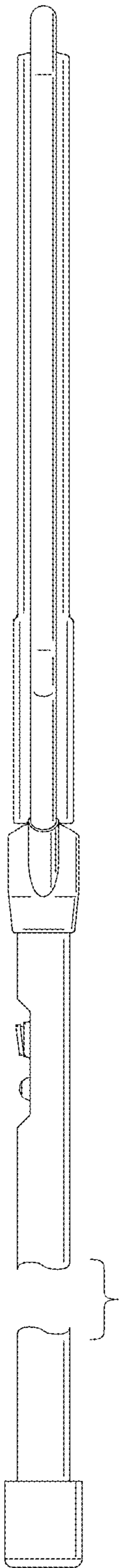


FIG. 5

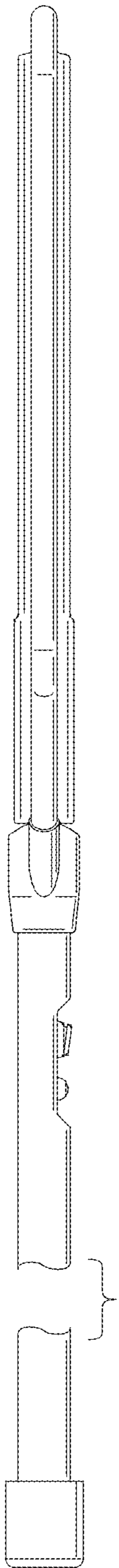


FIG. 6

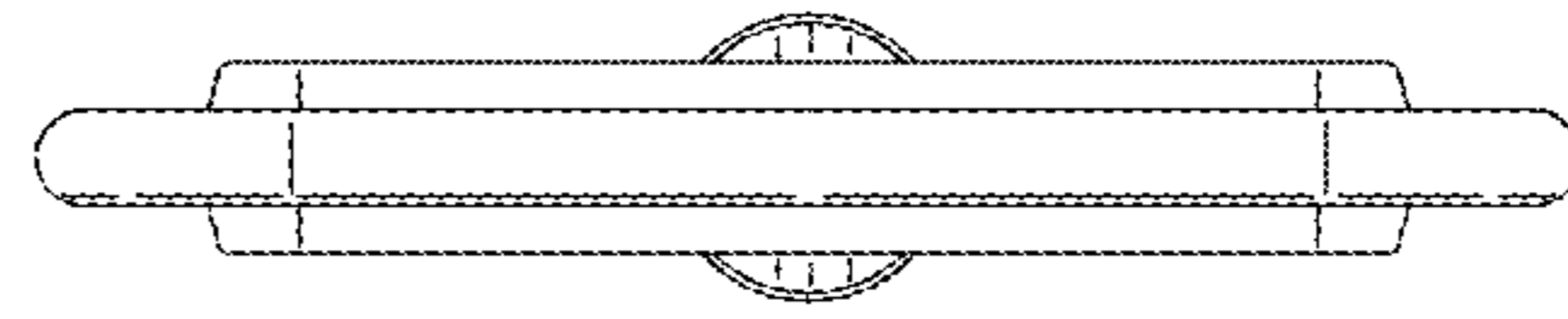


FIG. 7

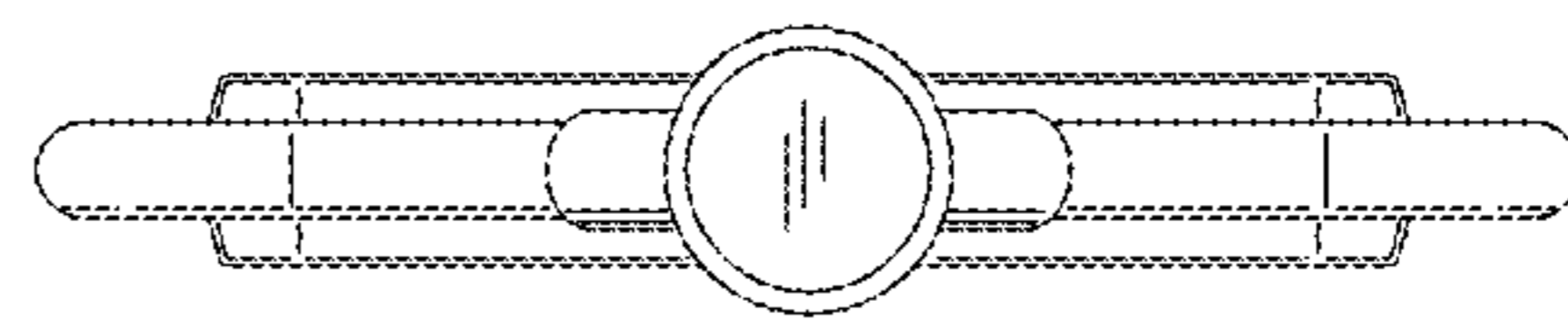


FIG. 8