



US00D791616S

(12) **United States Design Patent**
Mühlemann

(10) **Patent No.:** **US D791,616 S**
(45) **Date of Patent:** **** Jul. 11, 2017**

(54) **EGG BOX**
(71) Applicant: **FOSTAG AG**, Stein am Rhein (CH)
(72) Inventor: **Rolf Mühlemann**, Schlattingen (CH)
(73) Assignees: **FOSTAG AG**, Stein am Rhein (CH);
VENICA AB, Kungens Kurva (SE)

(**) Term: **15 Years**

(21) Appl. No.: **35/500,085**

(22) Filed: **Jun. 17, 2015**

(80) **Hague Agreement Data**

Int. Filing Date: **Jun. 17, 2015**
Int. Reg. No.: **DM/087101**
Int. Reg. Date: **Jun. 17, 2015**
Int. Reg. Pub. Date: **Aug. 14, 2015**

(51) **LOC (10) Cl.** **09-01**

(52) **U.S. Cl.**
USPC **D9/757**

(58) **Field of Classification Search**
USPC D9/757, 762, 456, 643; D7/611;
206/521.1; 220/4.22, 324; 294/26.5
CPC B65D 85/32; A23L 1/32
See application file for complete search history.

(56) **References Cited**

U.S. PATENT DOCUMENTS

D525,535 S * 7/2006 Rathbone D9/757
D606,421 S * 12/2009 Krummenacher D9/757
7,686,181 B2 * 3/2010 St-Onge B65D 85/32
220/324
D626,014 S * 10/2010 Fosse D9/757
D632,974 S * 2/2011 Dijkstra D9/757
D632,975 S * 2/2011 Dijkstra D9/757
D632,976 S * 2/2011 Dijkstra D9/757

D632,977 S * 2/2011 Dijkstra D9/757
D656,843 S * 4/2012 Schleining D9/757
D685,273 S * 7/2013 Bodmer D9/757
D687,681 S * 8/2013 Barber D7/674
D689,376 S * 9/2013 Von der Ahe D9/757
D694,126 S * 11/2013 Blanchette D9/757
D695,137 S * 12/2013 Buckley D9/757

(Continued)

Primary Examiner — Rhea Shields

(74) *Attorney, Agent, or Firm* — Paul D. Bianco; Gary S. Winer; Fleit Gibbons Gutman Bongini & Bianco PL

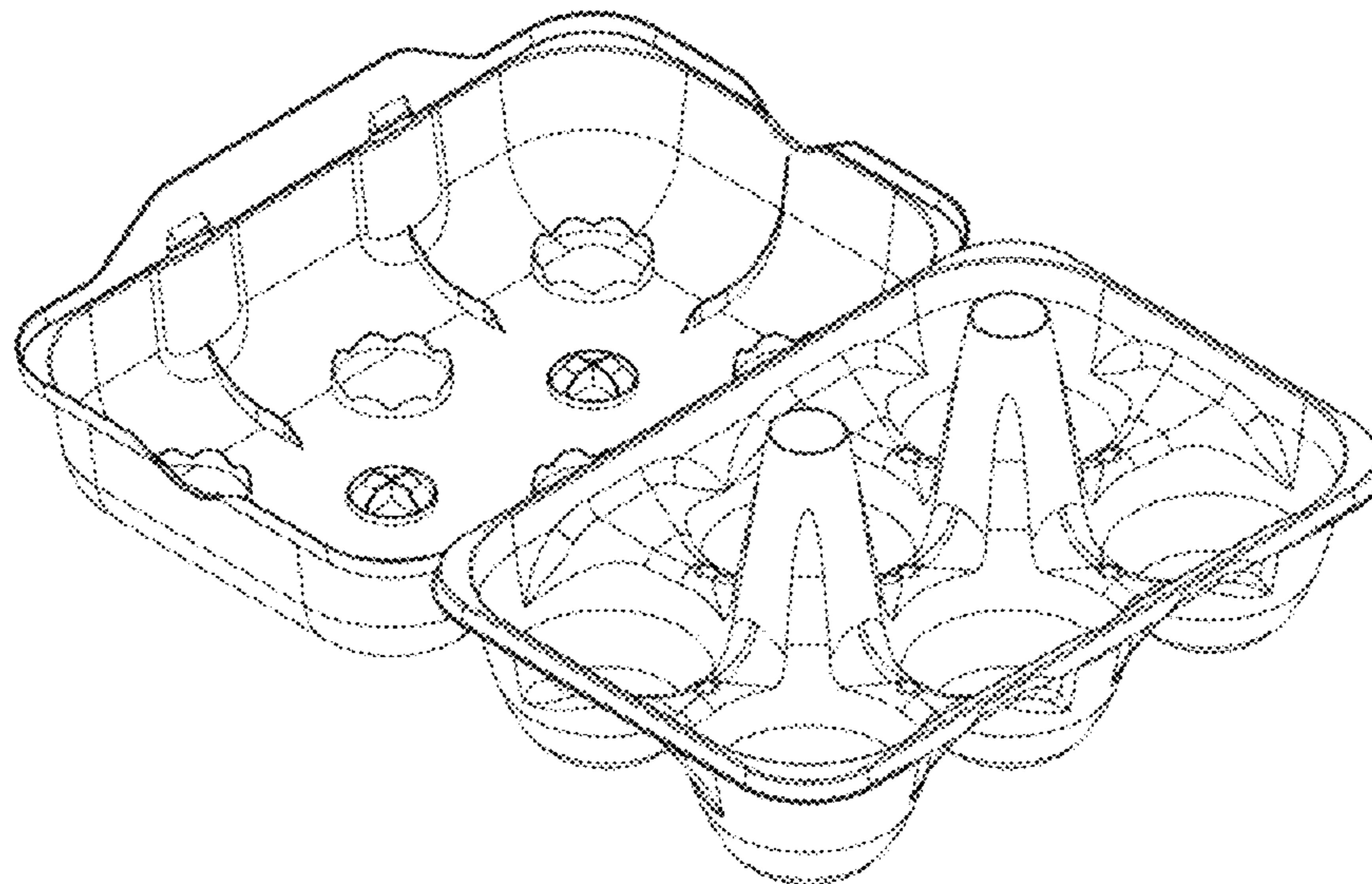
(57) **CLAIM**

The ornamental design for an egg box, as shown and described.

DESCRIPTION

1. Egg box
Figure 1.1: is a top perspective view of an egg box according to the present invention shown in an open position;
Figure 1.2 is a top view of the egg box of Figure 1.1;
Figure 1.3 is a left side view of the egg box of Figure 1.1;
Figure 1.4 is a front view of the egg box of Figure 1.1;
Figure 1.5 is a right side view of the egg box of Figure 1.1;
Figure 1.6 is a back view of the egg box of Figure 1.1;
Figure 1.7 is a bottom perspective view of the egg box of Figure 1.1;
Figure 1.8 is a bottom view of the egg box of Figure 1.1;
Figure 1.9 is a top perspective view of the egg box of Figure 1.1 while in a closed position;
Figure 1.10 is a top view of the egg box of Figure 1.9;
Figure 1.11 is a left side view of the egg box of Figure 1.9;
Figure 1.12 is a front view of the egg box of Figure 1.9;
Figure 1.13 is a right side view of the egg box of Figure 1.9;
Figure 1.14 is a back view of the egg box of Figure 1.9;
Figure 1.15 is a bottom perspective view of the egg box of Figure 1.9; and
Figure 1.16 is a bottom view of the egg box of Figure 1.9.

1 Claim, 16 Drawing Sheets



(56)

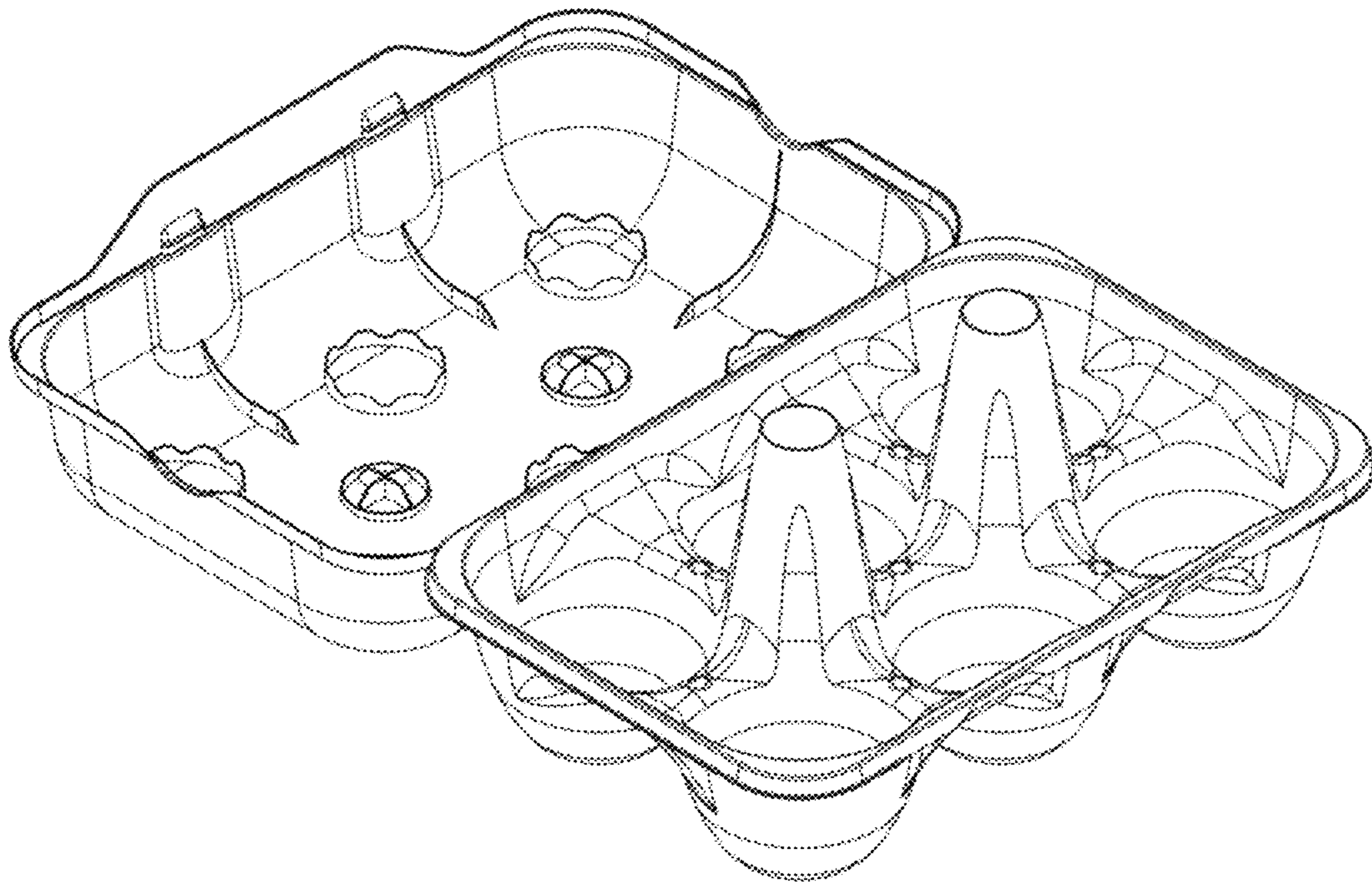
References Cited

U.S. PATENT DOCUMENTS

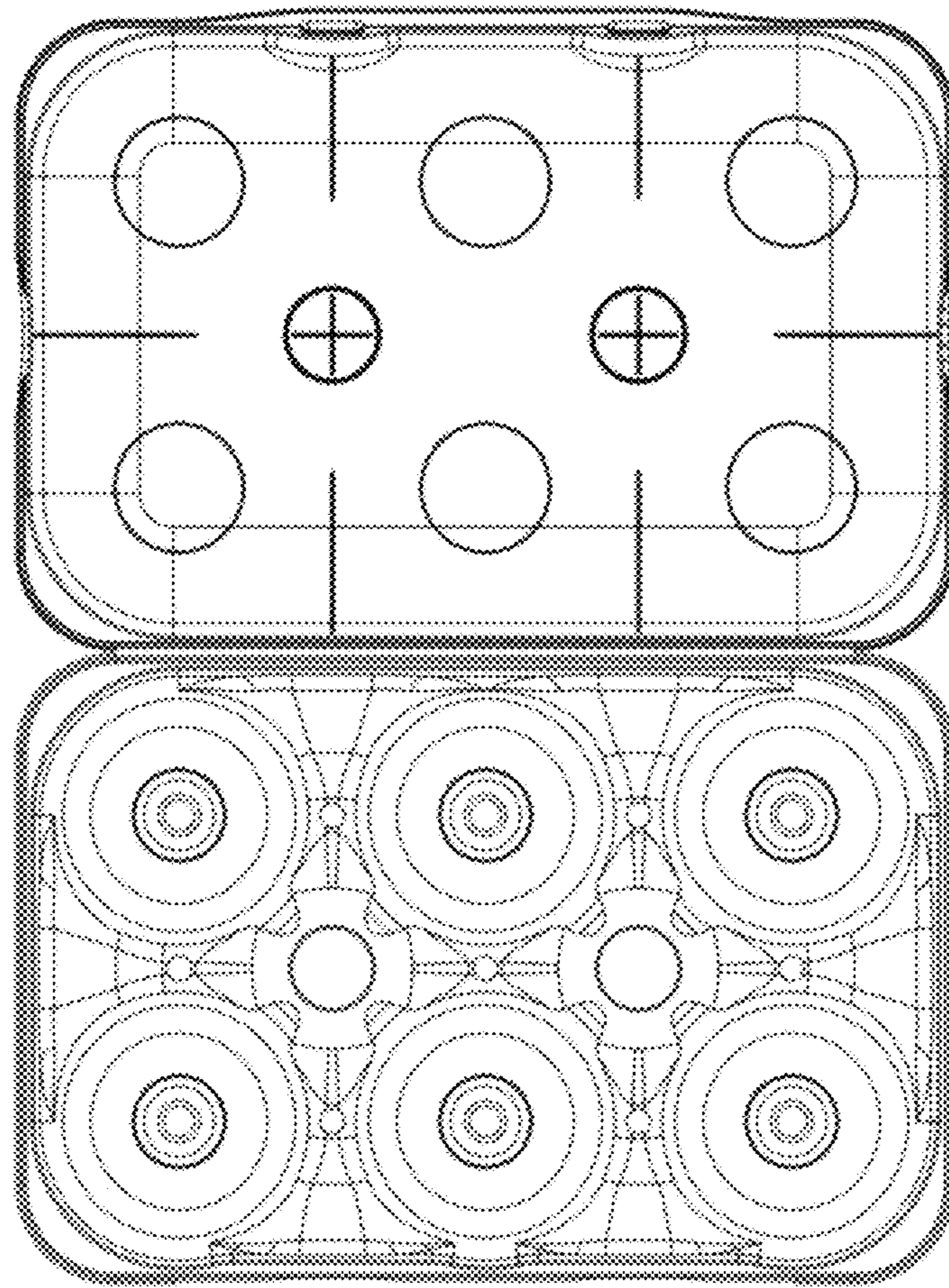
D698,612 S * 2/2014 Kraemer D7/611
D700,053 S * 2/2014 Chudleigh D9/456
8,640,872 B2 * 2/2014 Archambault B65D 85/32
206/521.1
8,661,969 B2 * 3/2014 Ewald A23L 1/32
294/26.5
8,695,803 B2 * 4/2014 Blanchette B65D 85/32
206/521.1
D716,153 S * 10/2014 Bodmer D9/757
D719,849 S * 12/2014 Buckley D9/757
D724,900 S * 3/2015 Kraemer D7/611
9,027,780 B2 * 5/2015 Attard B65D 85/32
220/4.22
D732,401 S * 6/2015 Blanchette D9/757
D735,585 S * 8/2015 Tayara D9/757
D737,136 S * 8/2015 Lam D9/643
D739,265 S * 9/2015 Buckley D9/762
D739,767 S * 9/2015 Schleining D9/757
D750,443 S * 3/2016 Kraemer D7/611

* cited by examiner

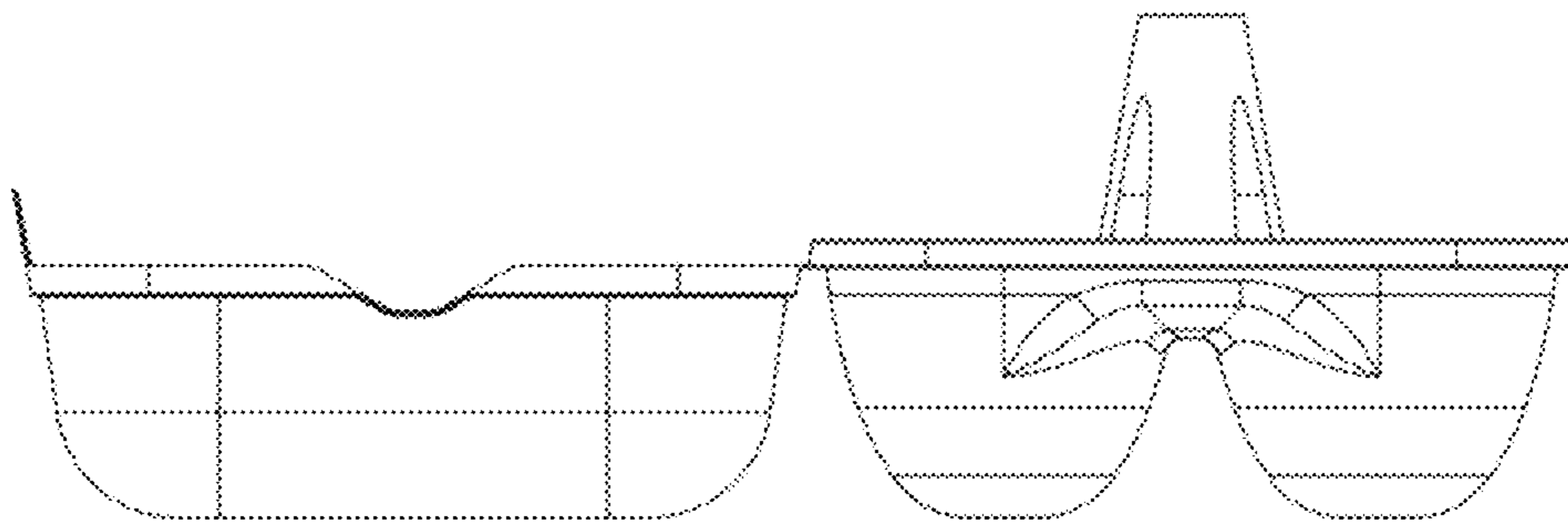
1.1



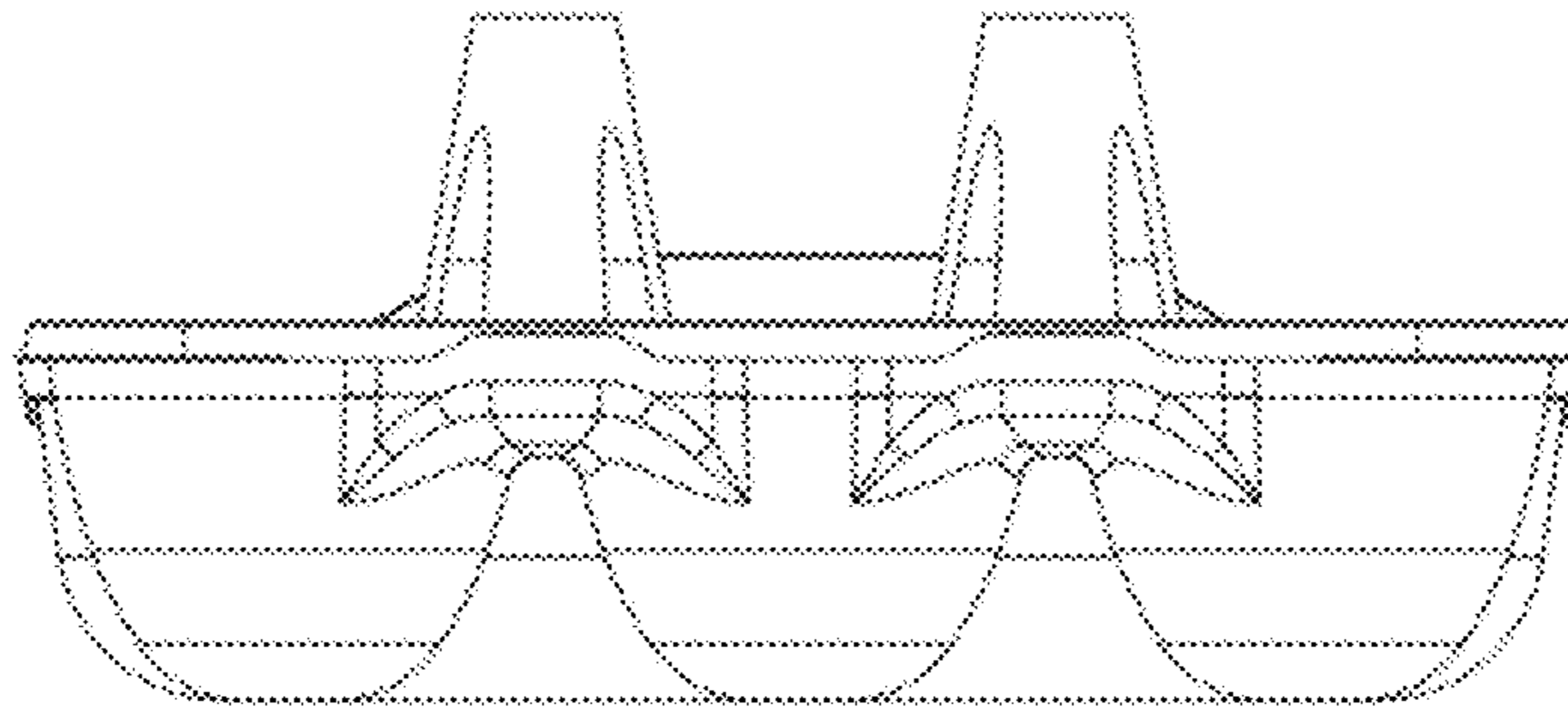
1.2



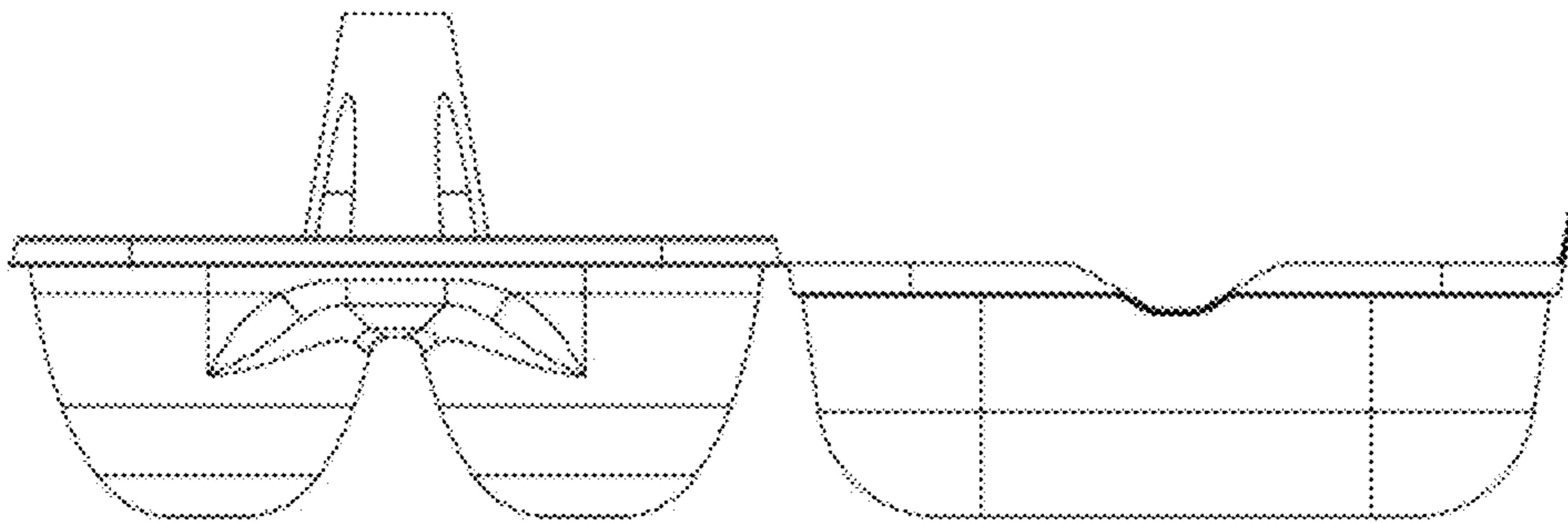
1.3



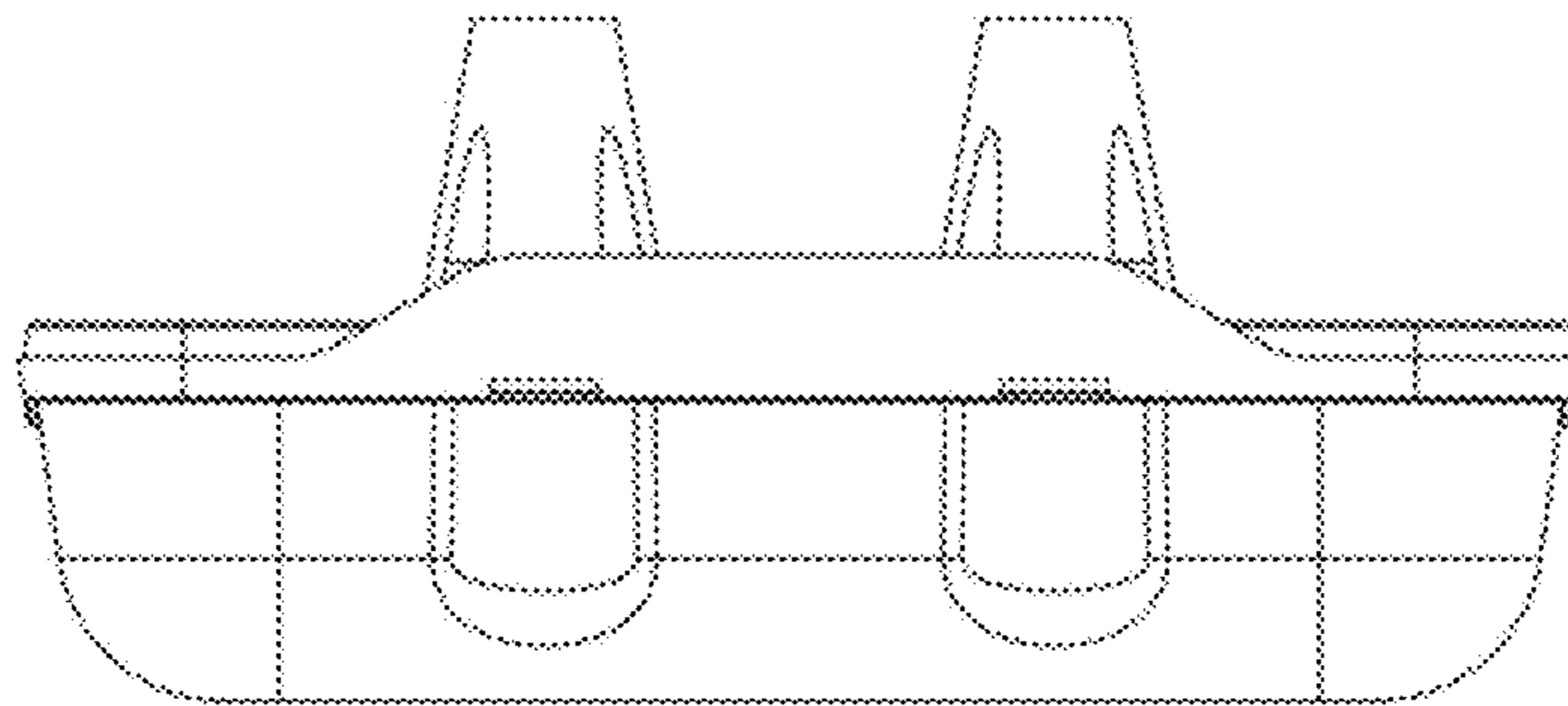
1.4



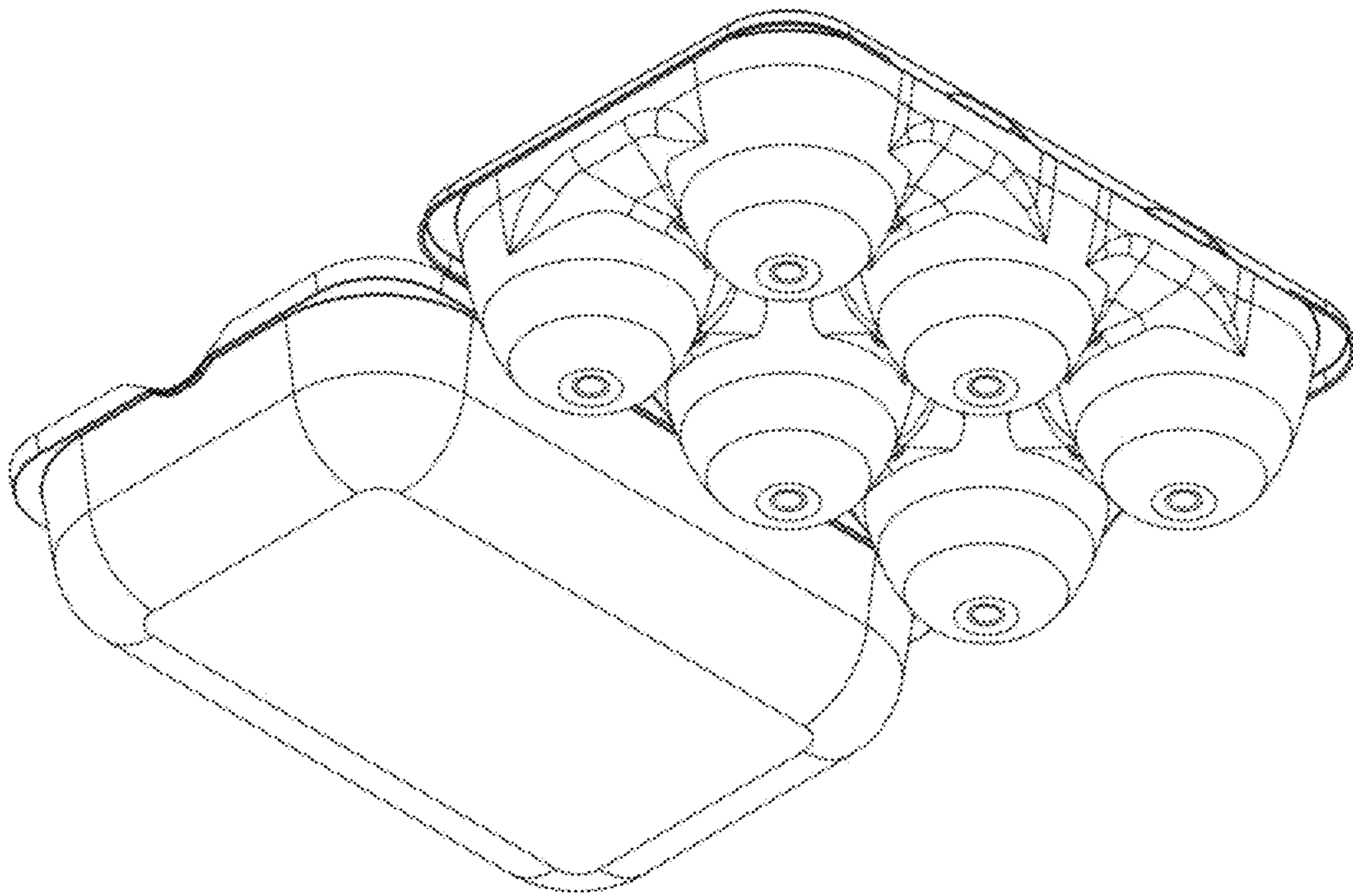
1.5



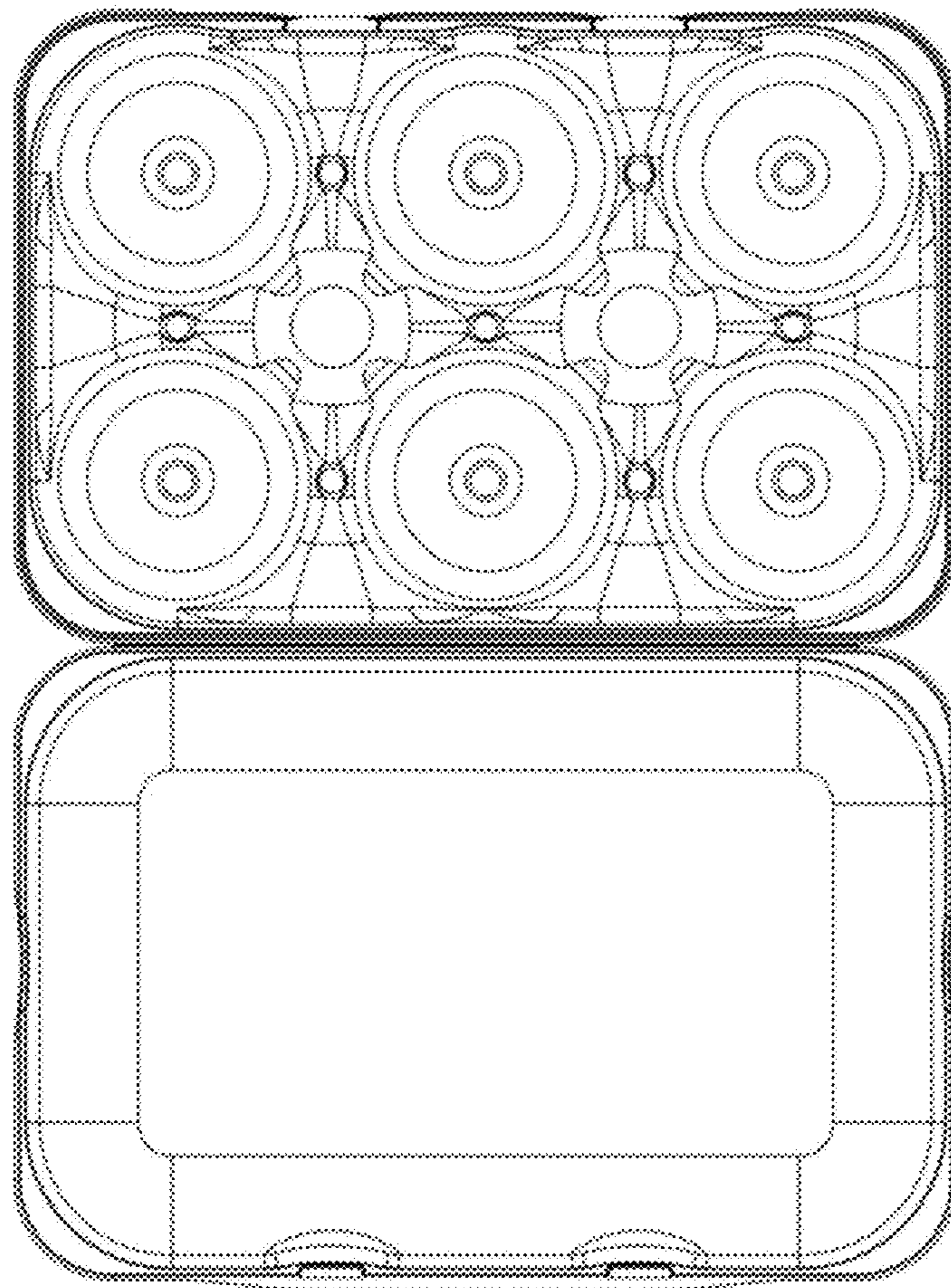
1.6



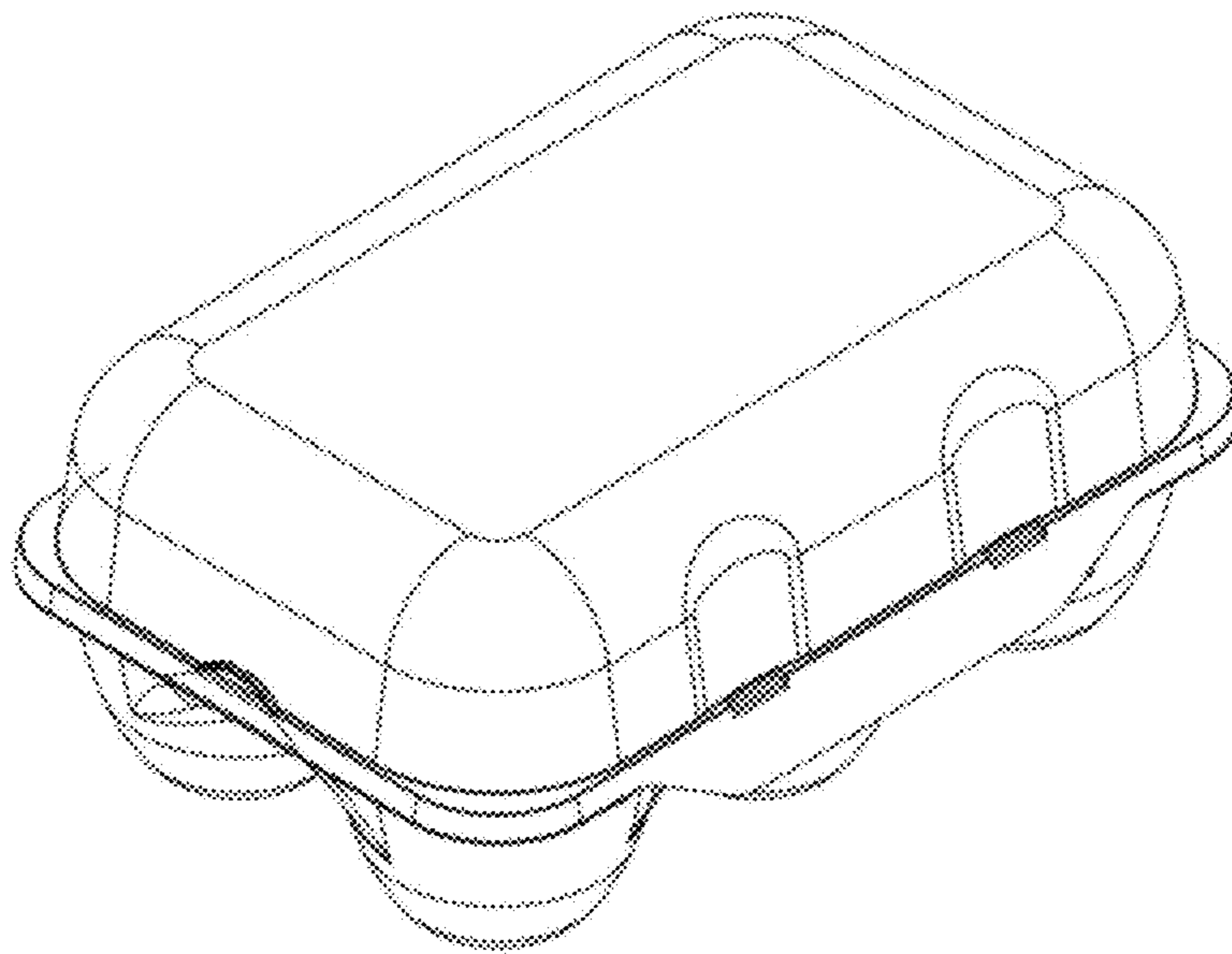
1.7



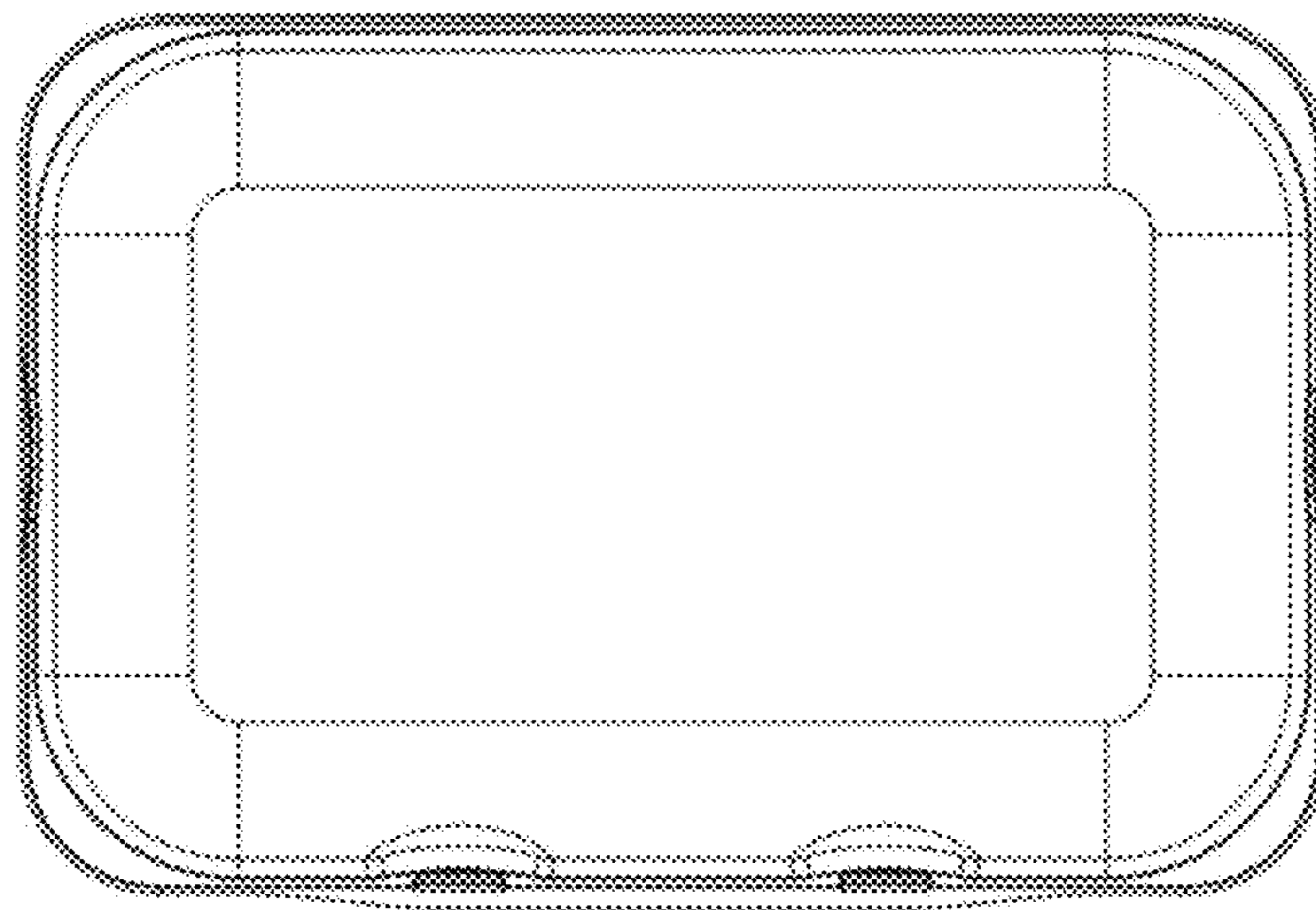
1.8



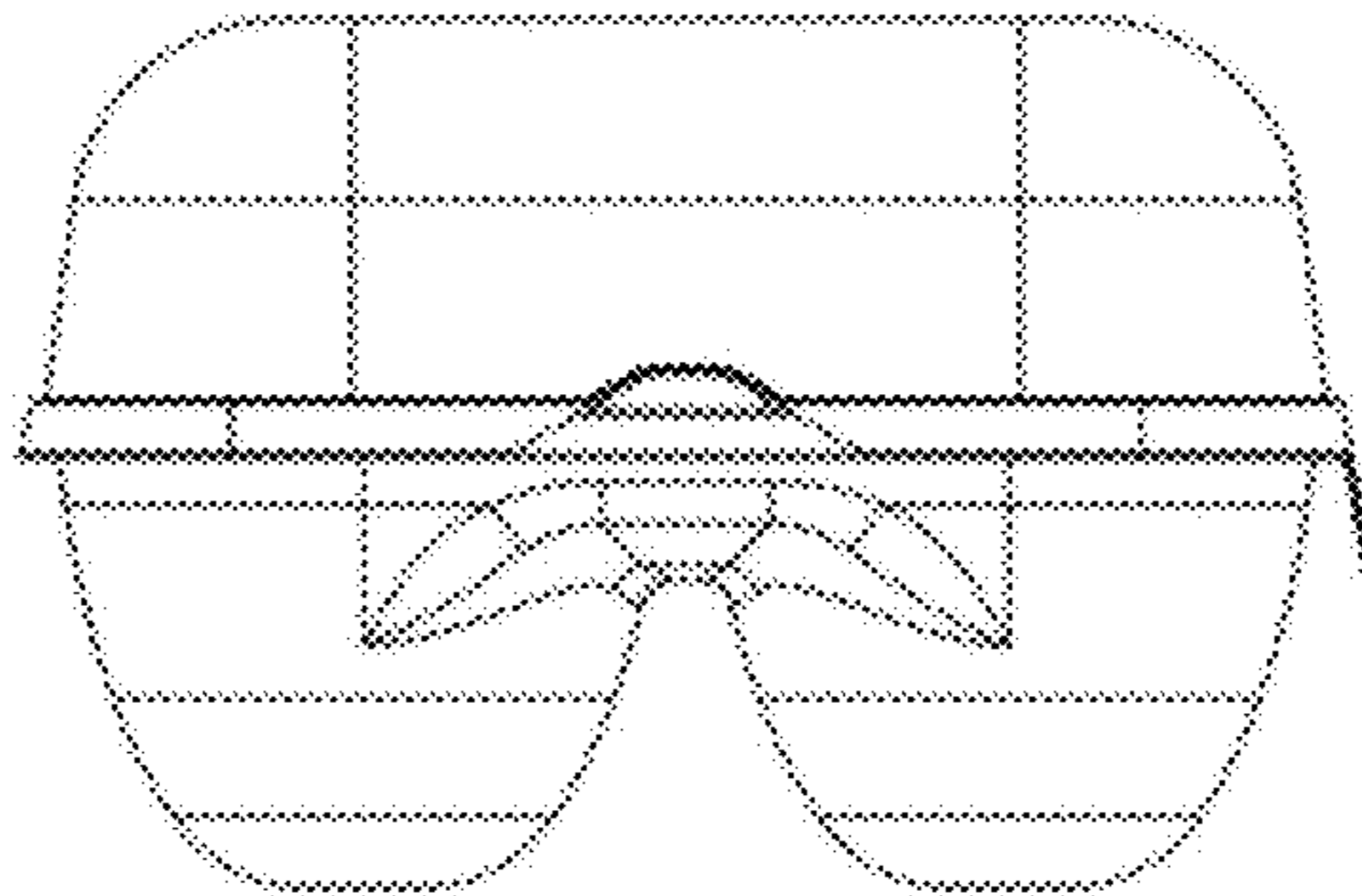
1.9



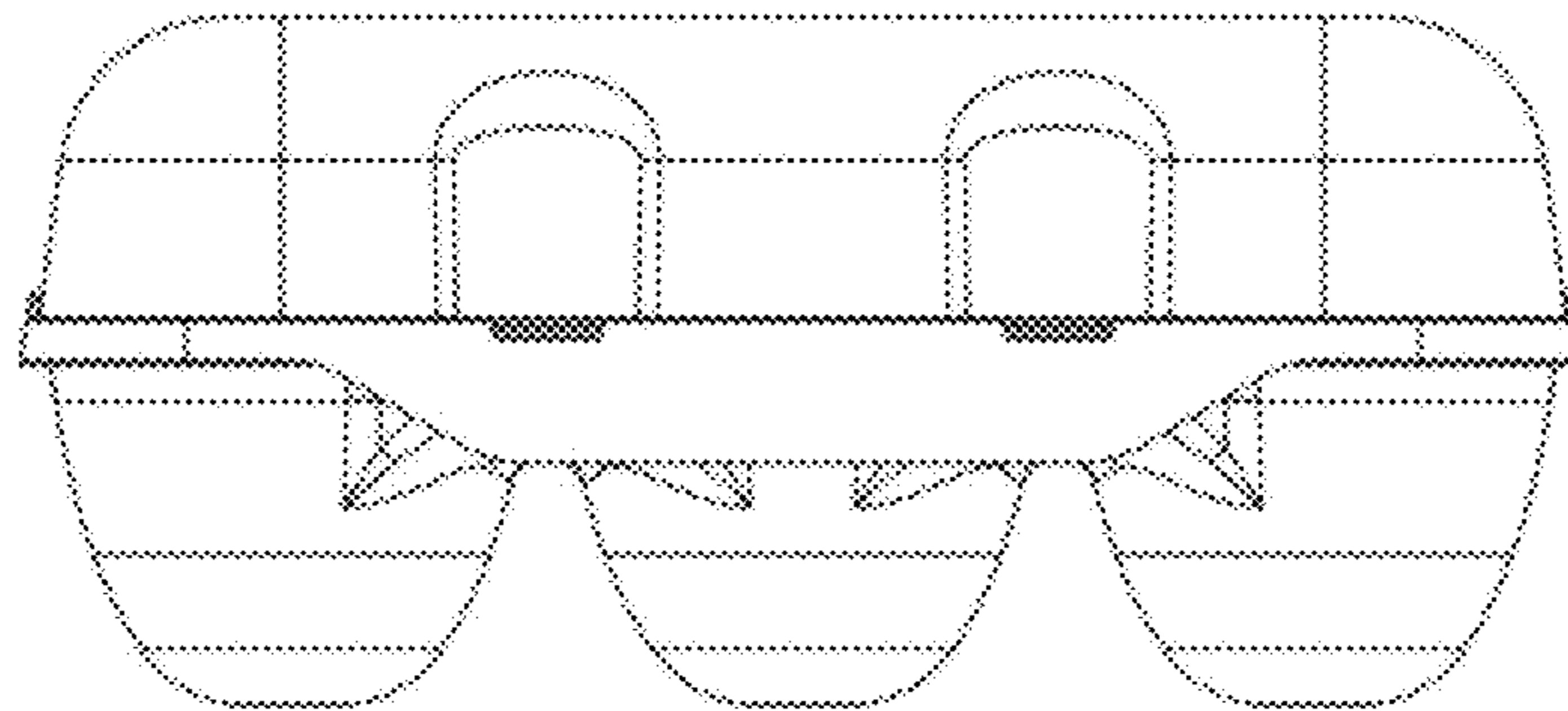
1.10



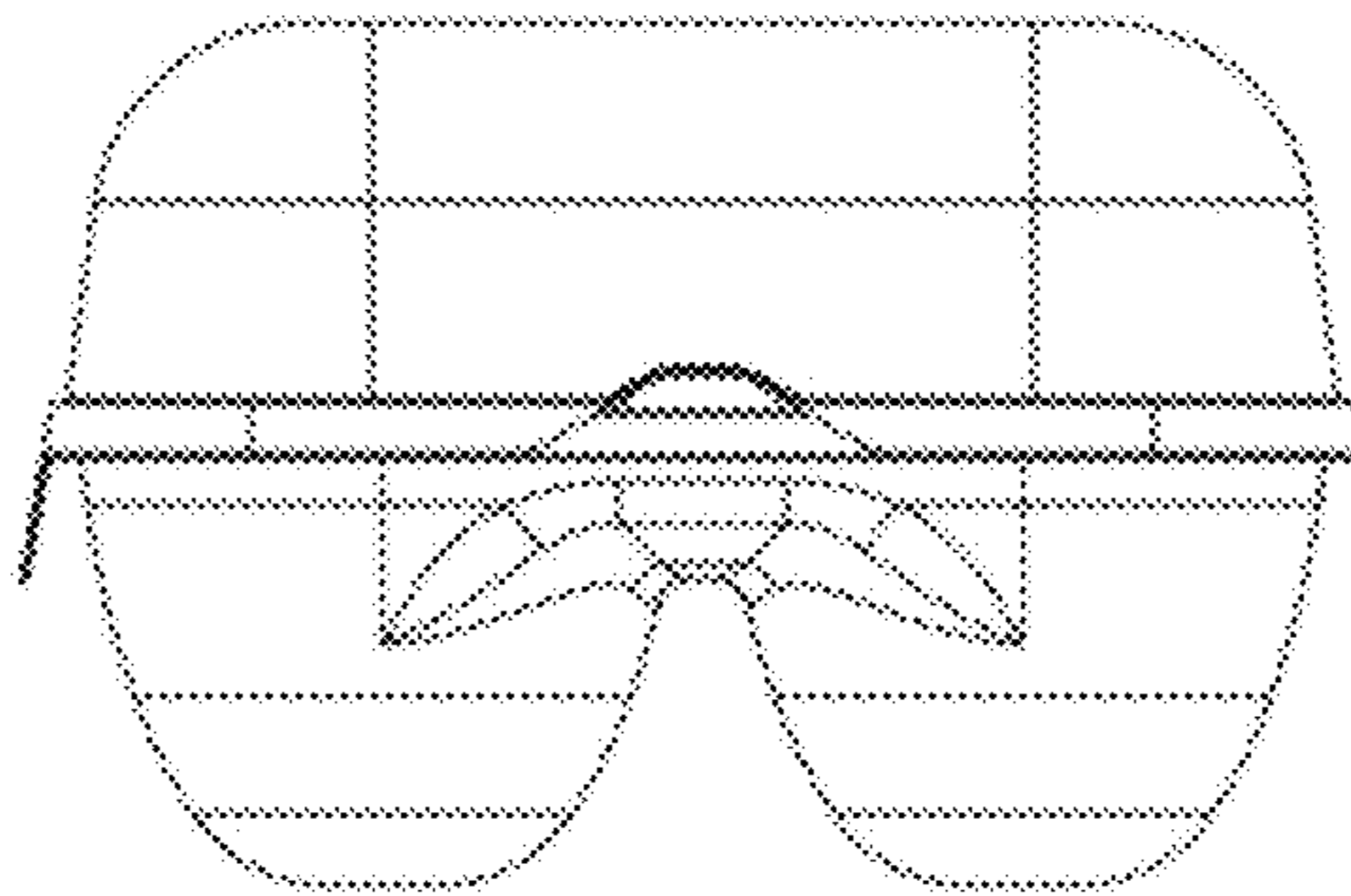
1.11



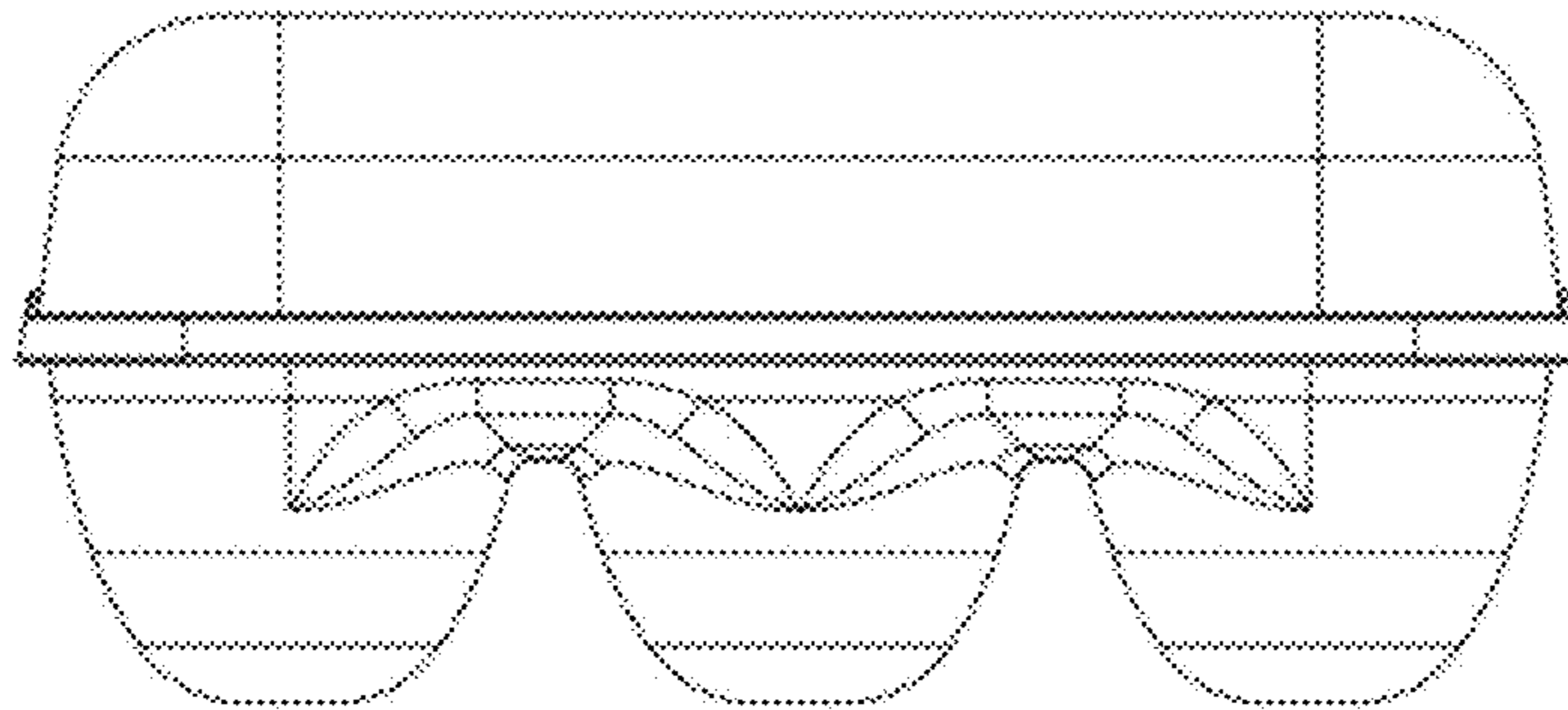
1.12



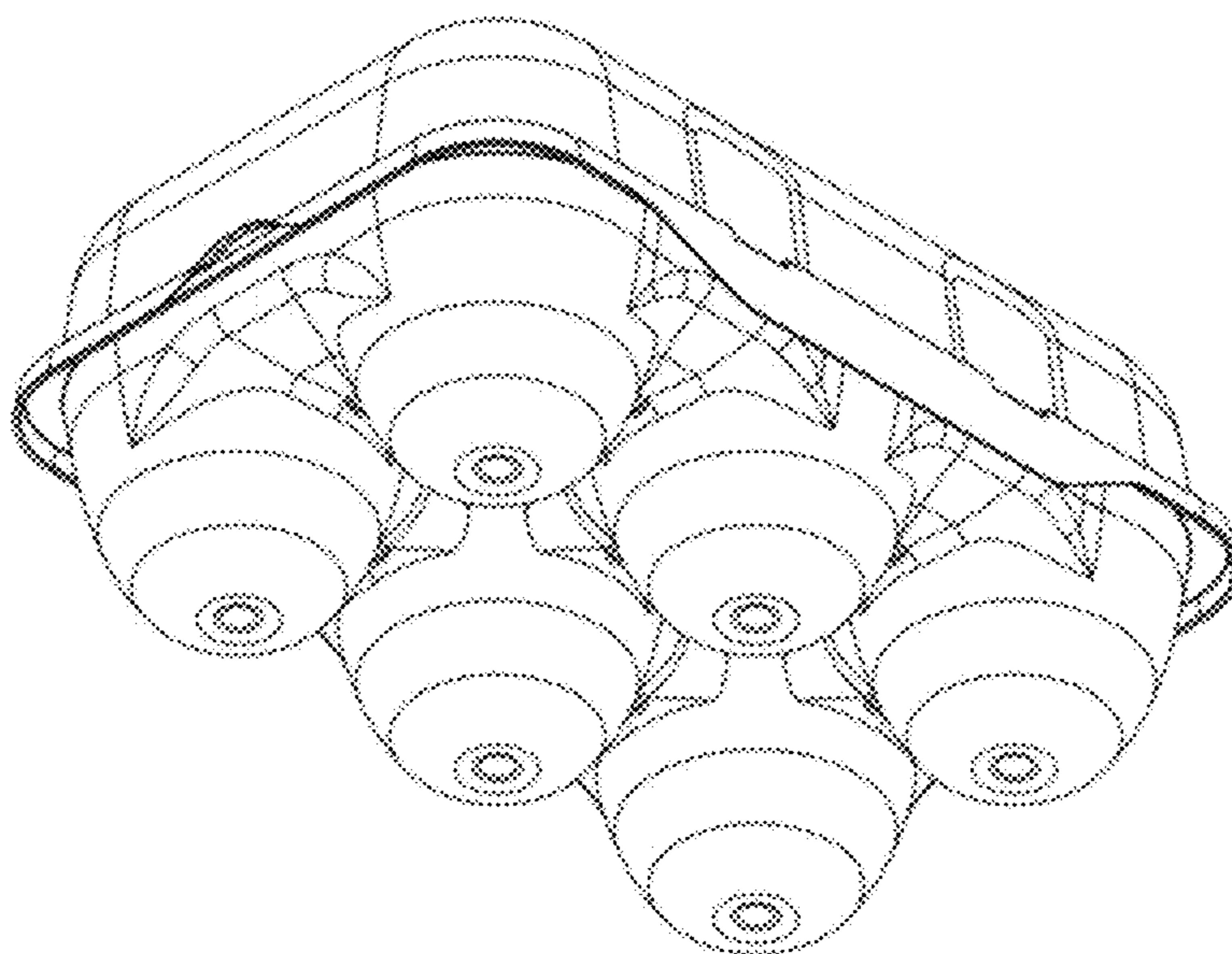
1.13



1.14



1.15



1.16

