



US00D791615S

(12) **United States Design Patent**
Stravitz

(10) **Patent No.:** **US D791,615 S**

(45) **Date of Patent:** **** Jul. 11, 2017**

(54) **DISPENSER**

(71) Applicant: **David M Stravitz**, New York, NY (US)

(72) Inventor: **David M Stravitz**, New York, NY (US)

(**) Term: **15 Years**

(21) Appl. No.: **29/580,022**

(22) Filed: **Oct. 5, 2016**

(51) **LOC (10) Cl.** **09-01**

(52) **U.S. Cl.**
USPC **D9/729**

(58) **Field of Classification Search**
USPC D7/591; D9/435, 444, 445, 447, 454,
D9/723, 727-729; 215/276, 307,
215/316-318, 322, 382; 220/798;
401/263, 265, 266

CPC A45D 34/041; A45D 40/02; A45D 40/04;
A45D 40/26; B05C 9/14; B05C 21/00

See application file for complete search history.

(56) **References Cited**

U.S. PATENT DOCUMENTS

401,313 A	4/1889	Titus	
1,558,396 A	10/1925	Roehrs	
1,719,185 A	7/1929	Lowy	
2,434,238 A	1/1948	Wolfson	
2,495,806 A	1/1950	Block	
2,610,432 A	9/1952	Ambrose	
2,725,162 A	11/1955	Roop	
2,793,373 A	5/1957	Ewing	
3,214,065 A	10/1965	Coward	
D245,750 S *	9/1977	Maclean D7/591
D270,322 S *	8/1983	Daenen D7/610
4,437,575 A	3/1984	Hahn	
4,459,058 A	7/1984	Bennett	
4,873,727 A	10/1989	Homan	
4,902,482 A	2/1990	Faust	
5,031,799 A	7/1991	Owen	

5,174,462 A	12/1992	Hames	
D334,975 S	4/1993	Bunce et al.	
5,295,610 A	3/1994	Levison	
5,520,303 A	5/1996	Bernstein et al.	
5,988,520 A	11/1999	Bitner	
D455,827 S	4/2002	Simons et al.	
6,540,103 B2	4/2003	Silvers	
6,612,099 B2	9/2003	Stravitz	
D481,314 S *	10/2003	Noonan D9/438
6,804,930 B2	10/2004	Stravitz	

(Continued)

Primary Examiner — Derrick Holland

Assistant Examiner — Janice Lim

(74) *Attorney, Agent, or Firm* — Brian Roffe

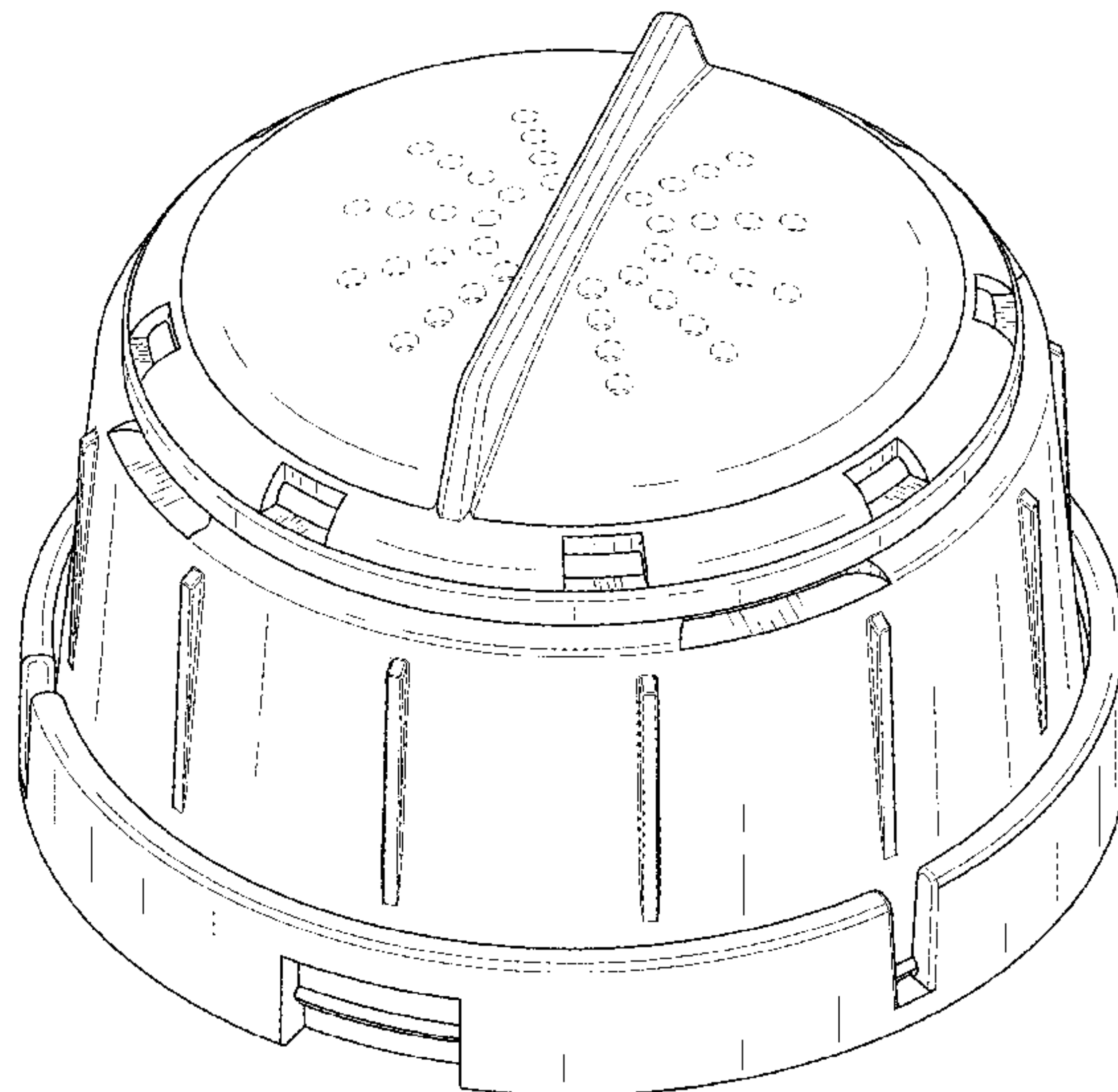
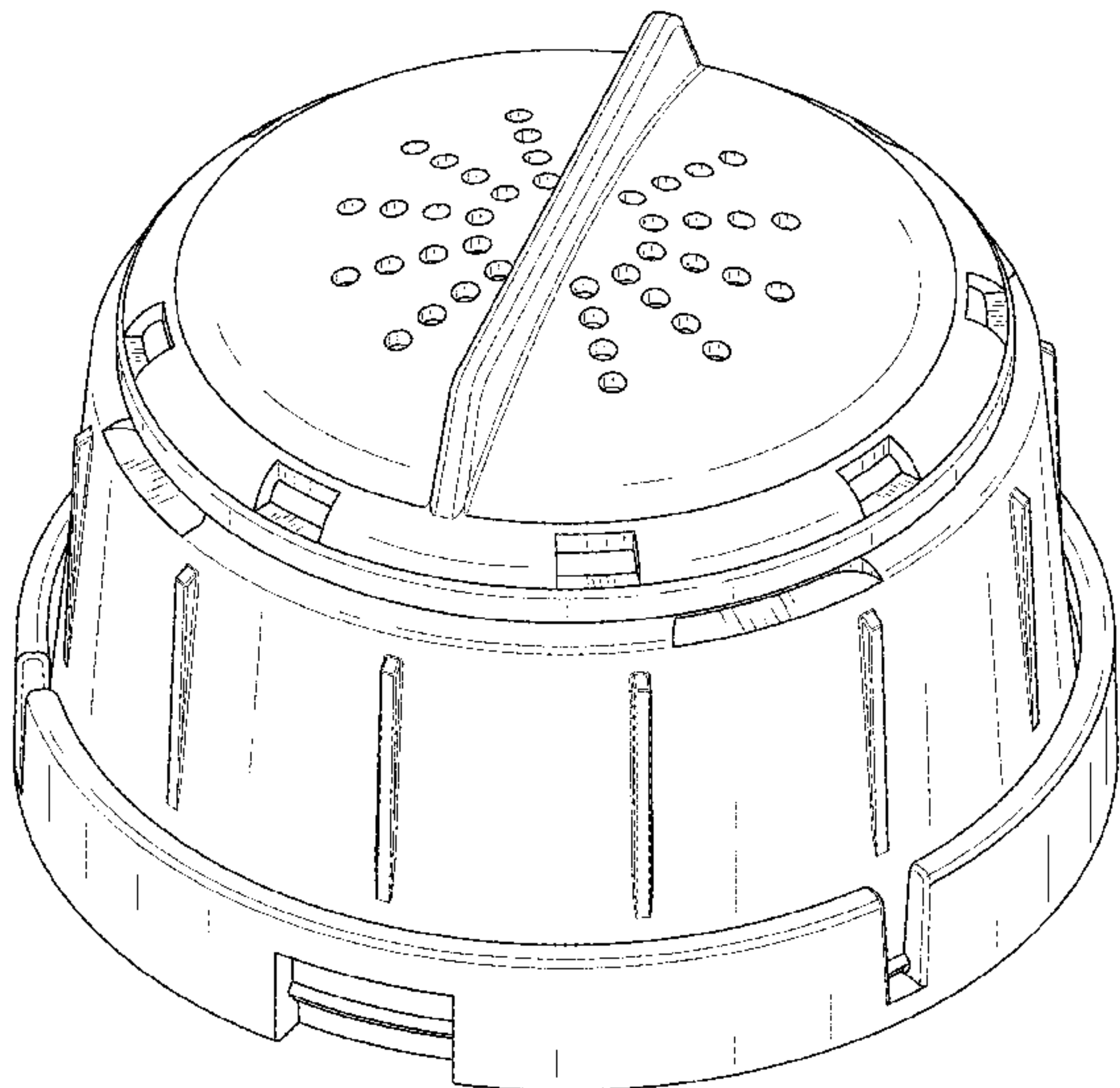
(57) **CLAIM**

The ornamental design for a dispenser, as shown and described.

DESCRIPTION

FIG. 1 is a front perspective view of a first embodiment of a dispenser showing my new design; FIG. 2 is a top plan view thereof; FIG. 3 is a bottom plan view thereof; FIG. 4 is a front elevational view thereof; FIG. 5 is a rear elevational view thereof; FIG. 6 is a left side elevational view thereof; FIG. 7 is a right side elevational view thereof; FIG. 8 is a front perspective view of a second embodiment of a dispenser showing my new design; FIG. 9 is a top plan view thereof; FIG. 10 is a bottom plan view thereof; FIG. 11 is a front elevational view thereof; FIG. 12 is a rear elevational view thereof; FIG. 13 is a left side elevational view thereof; and, FIG. 14 is a right side elevational view thereof. The broken line portions are included to show unclaimed subject matter and form no part of the claimed design.

1 Claim, 10 Drawing Sheets



(56)

References Cited

U.S. PATENT DOCUMENTS

6,851,251 B2	2/2005	Stravitz	8,127,519 B2	3/2012	Stravitz	
D510,762 S	10/2005	Ashford et al.	D658,935 S *	5/2012	Luppino	D7/392
D526,840 S *	8/2006	Carlson	8,215,089 B2	7/2012	Stravitz	
D527,448 S	8/2006	Ku	8,235,237 B1	8/2012	Stravitz	
7,086,569 B2	8/2006	Stravitz	8,266,871 B1	9/2012	Stravitz	
7,114,314 B2	10/2006	Stravitz	8,393,489 B1	3/2013	Stravitz	
7,146,785 B2	12/2006	Stravitz	8,567,157 B2	10/2013	Dunn et al.	
7,225,943 B2	6/2007	Yang et al.	8,647,587 B2	2/2014	Dunn et al.	
D548,005 S *	8/2007	Curtin	8,657,139 B1	2/2014	Bodine	
7,316,100 B2	1/2008	Stravitz et al.	8,690,017 B2	4/2014	Dunn et al.	
7,358,451 B2	4/2008	MacMichael et al.	8,739,501 B2	6/2014	Dunn et al.	
7,434,377 B2	10/2008	Stravitz et al.	8,910,821 B1	12/2014	Stravitz	
7,503,152 B2	3/2009	Stravitz et al.	9,181,028 B1	11/2015	Stravitz	
7,503,159 B2	3/2009	Stravitz et al.	2002/0051739 A1	5/2002	Wang	
7,516,865 B1	4/2009	Pierre	2006/0198692 A1 *	9/2006	Petit	A45D 33/025
7,543,716 B2	6/2009	Lin				401/266
D600,120 S *	9/2009	Kawamura	2007/0177929 A1 *	8/2007	Yuhua	A45D 34/04
7,617,659 B2	11/2009	Stravitz et al.				401/262
7,696,711 B2	4/2010	Pollack et al.	2008/0134644 A1	6/2008	Knuth et al.	
7,708,188 B2	5/2010	Stravitz et al.	2010/0005762 A1	1/2010	Stravitz	
7,712,285 B2	5/2010	Stravitz et al.	2010/0200533 A1 *	8/2010	Rice	B65D 50/046
D623,283 S	9/2010	Dunn et al.				215/216
D630,093 S *	1/2011	Bardet	2011/0099958 A1	5/2011	Dunn et al.	
7,868,260 B2	1/2011	MacMichael et al.	2013/0313257 A1 *	11/2013	Gartz	B65D 43/0206
7,878,359 B1	2/2011	Ko				220/262
7,963,414 B1	6/2011	Stravitz	2015/0305473 A1 *	10/2015	Shorland	A45D 34/041
D642,919 S *	8/2011	Taylor				401/172
D648,019 S	11/2011	Morneault et al.	2015/0336716 A1 *	11/2015	Gehring	B29C 45/1676
						215/316

* cited by examiner

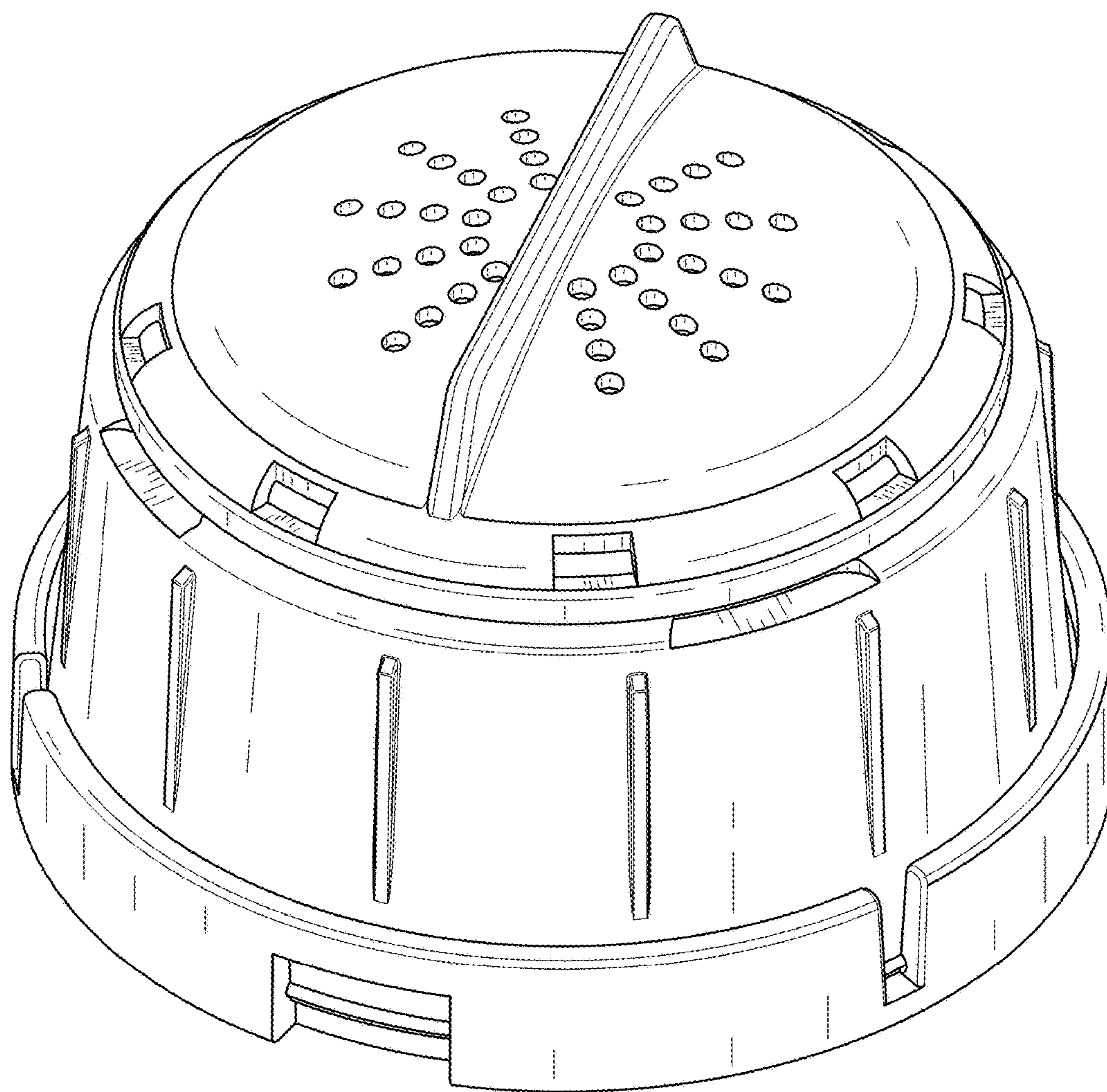


FIG. 1

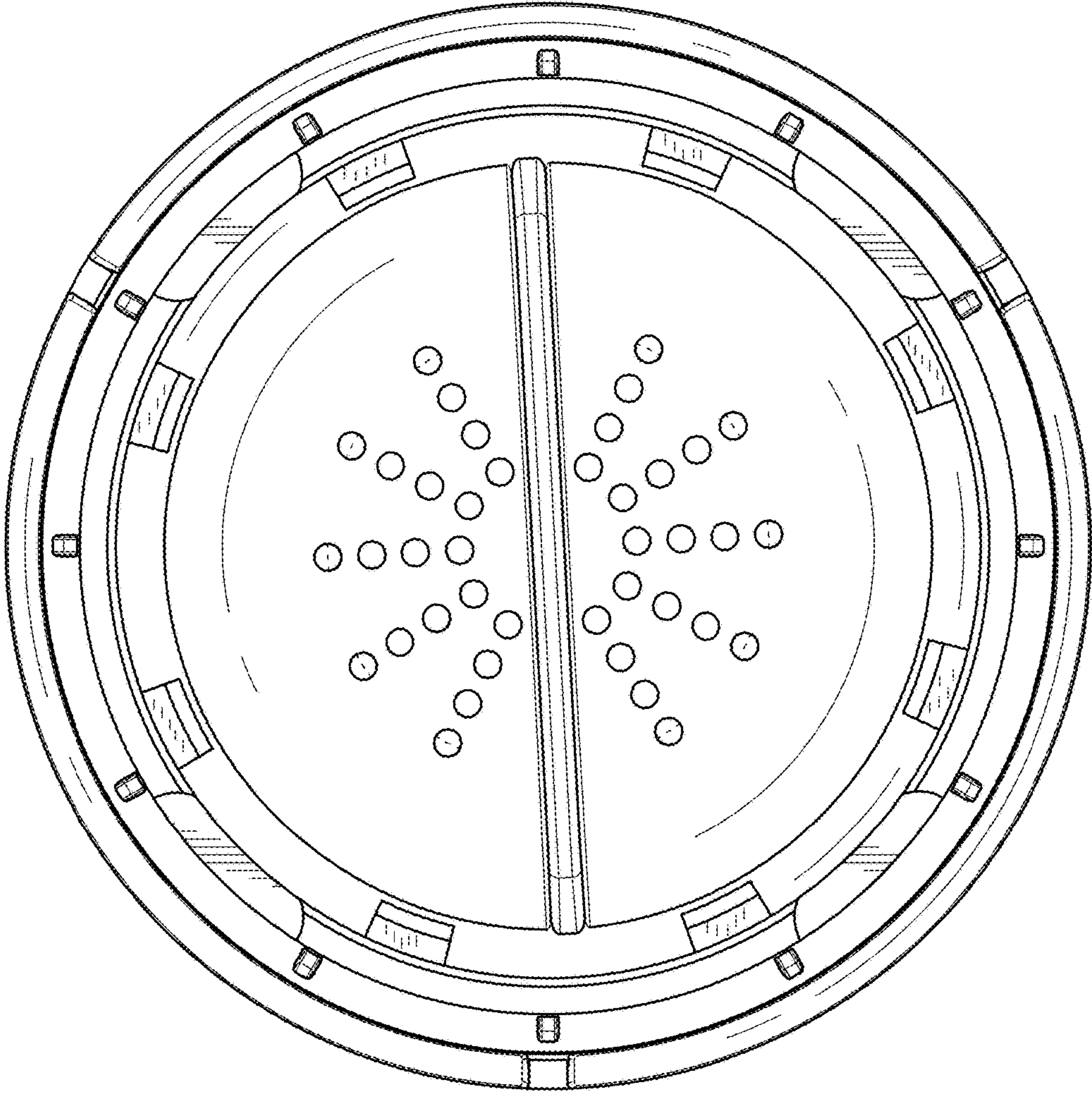


FIG. 2

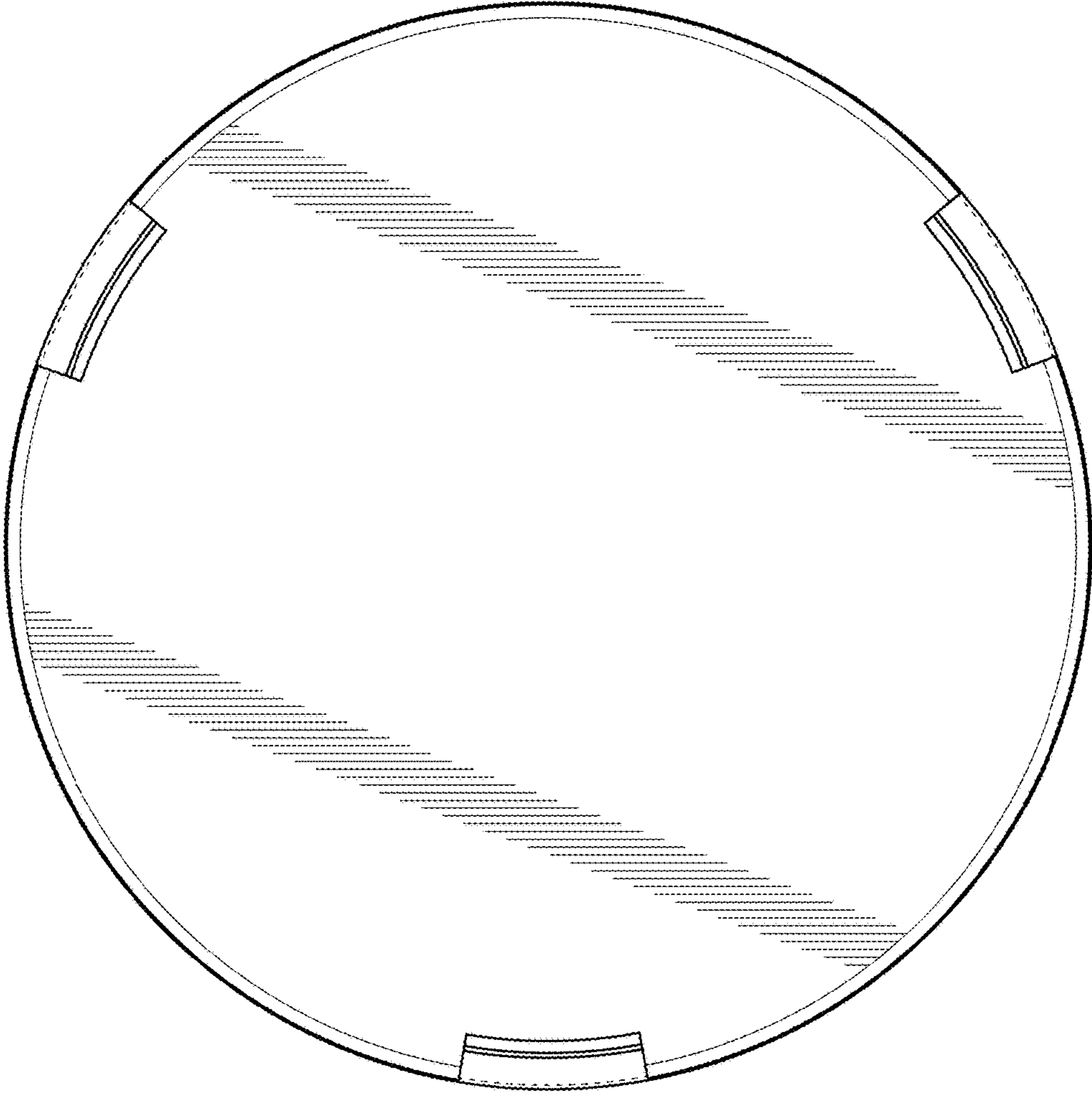


FIG. 3

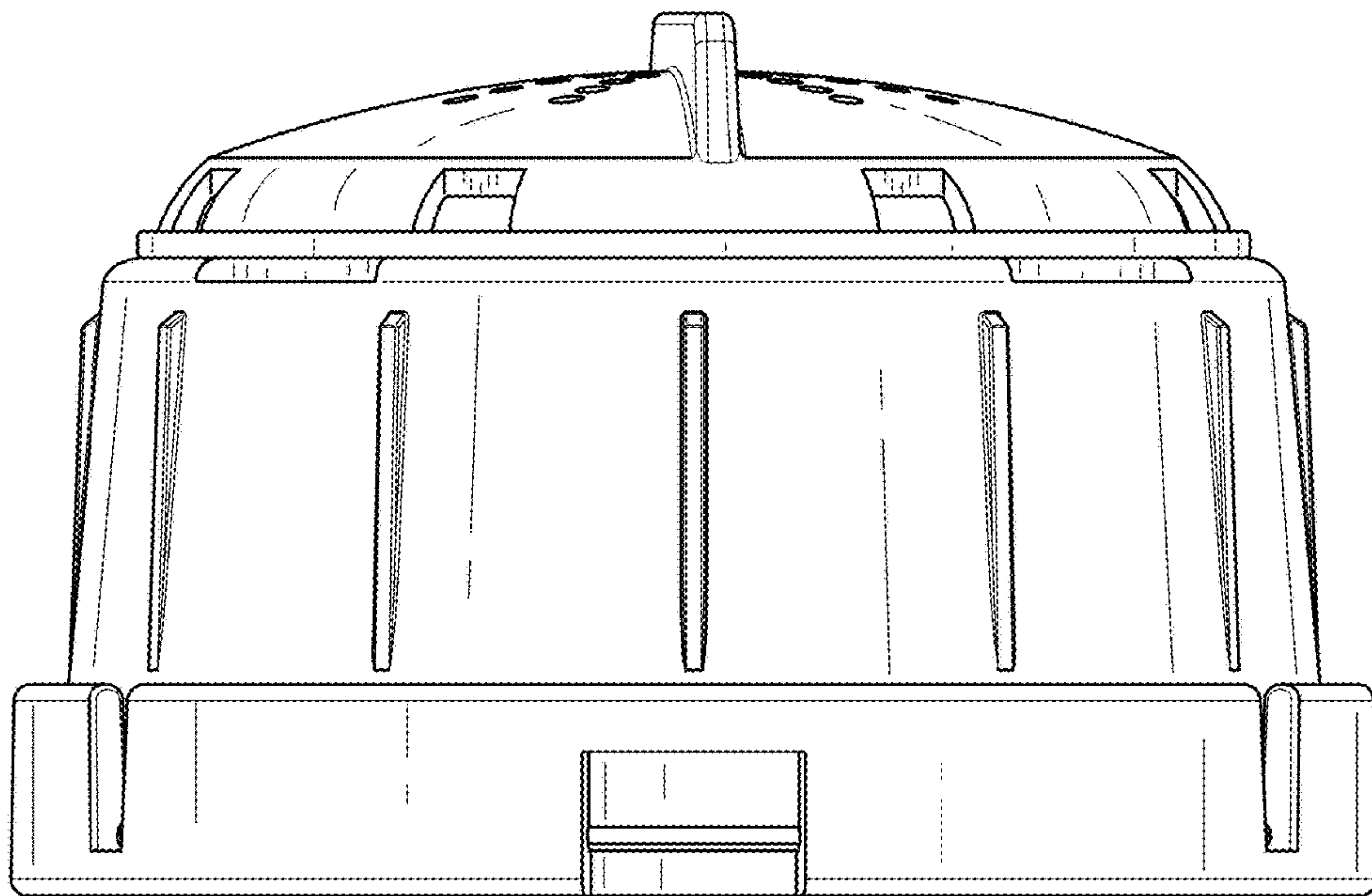


FIG. 4

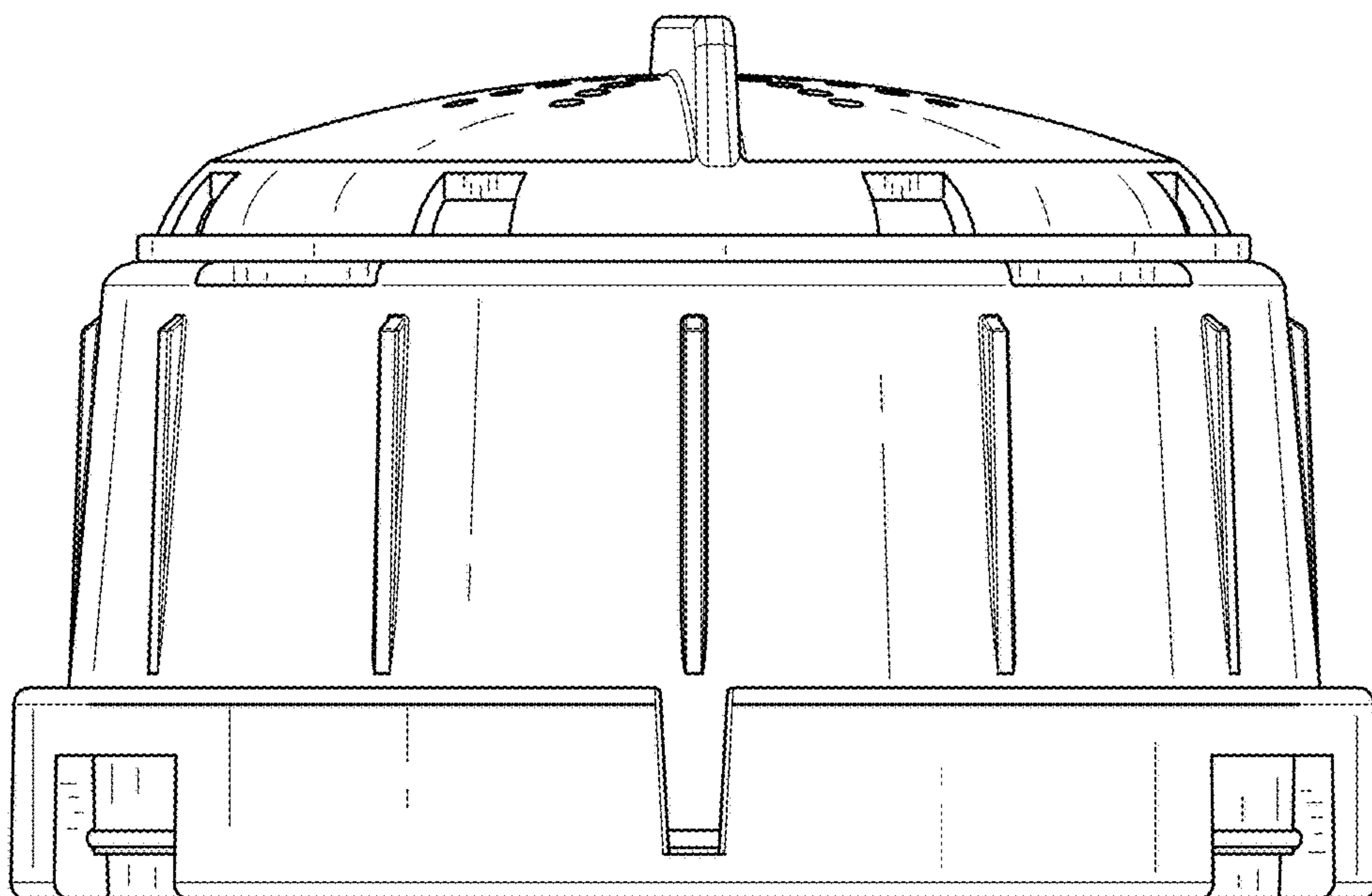


FIG. 5

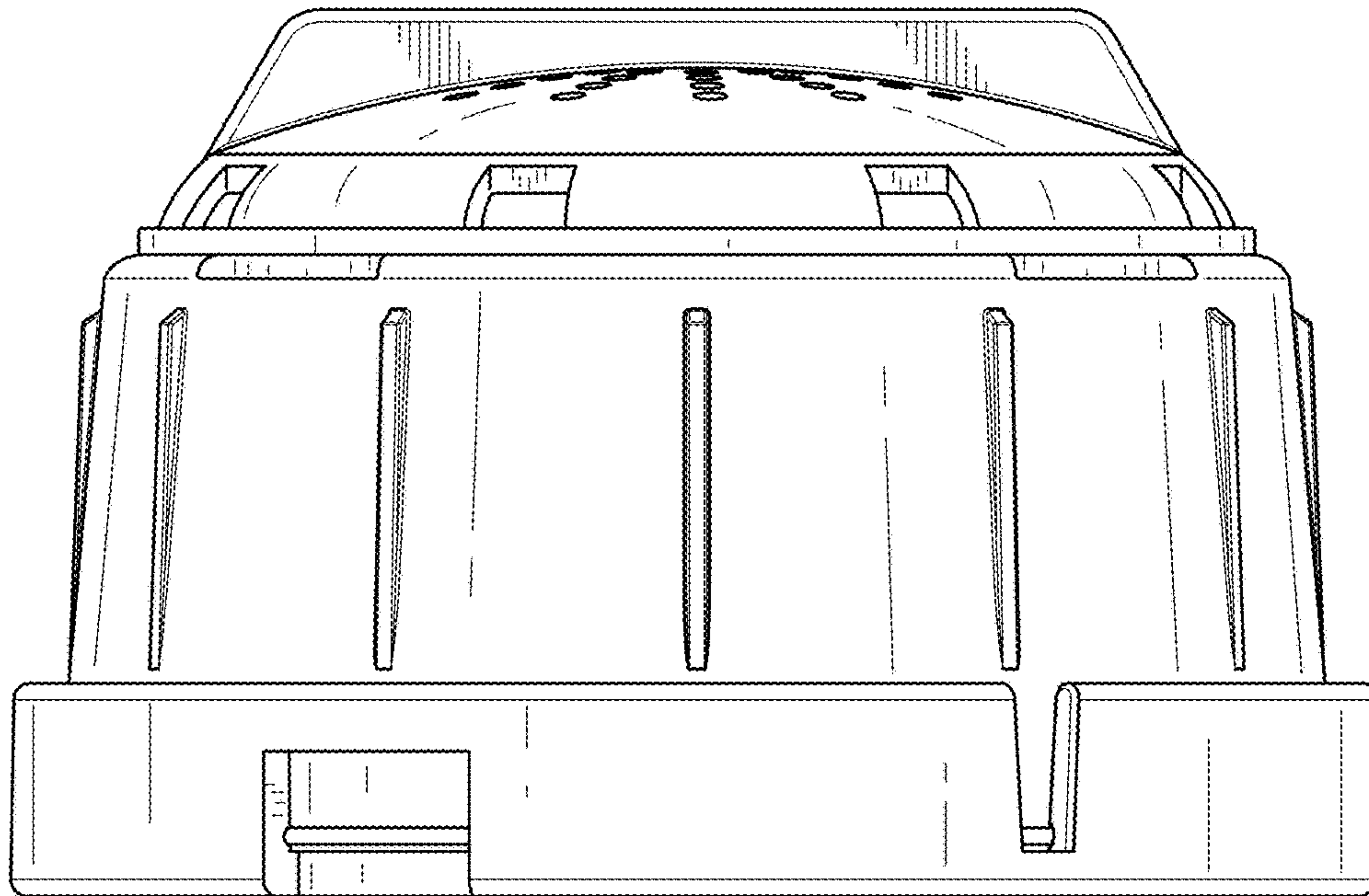


FIG. 6

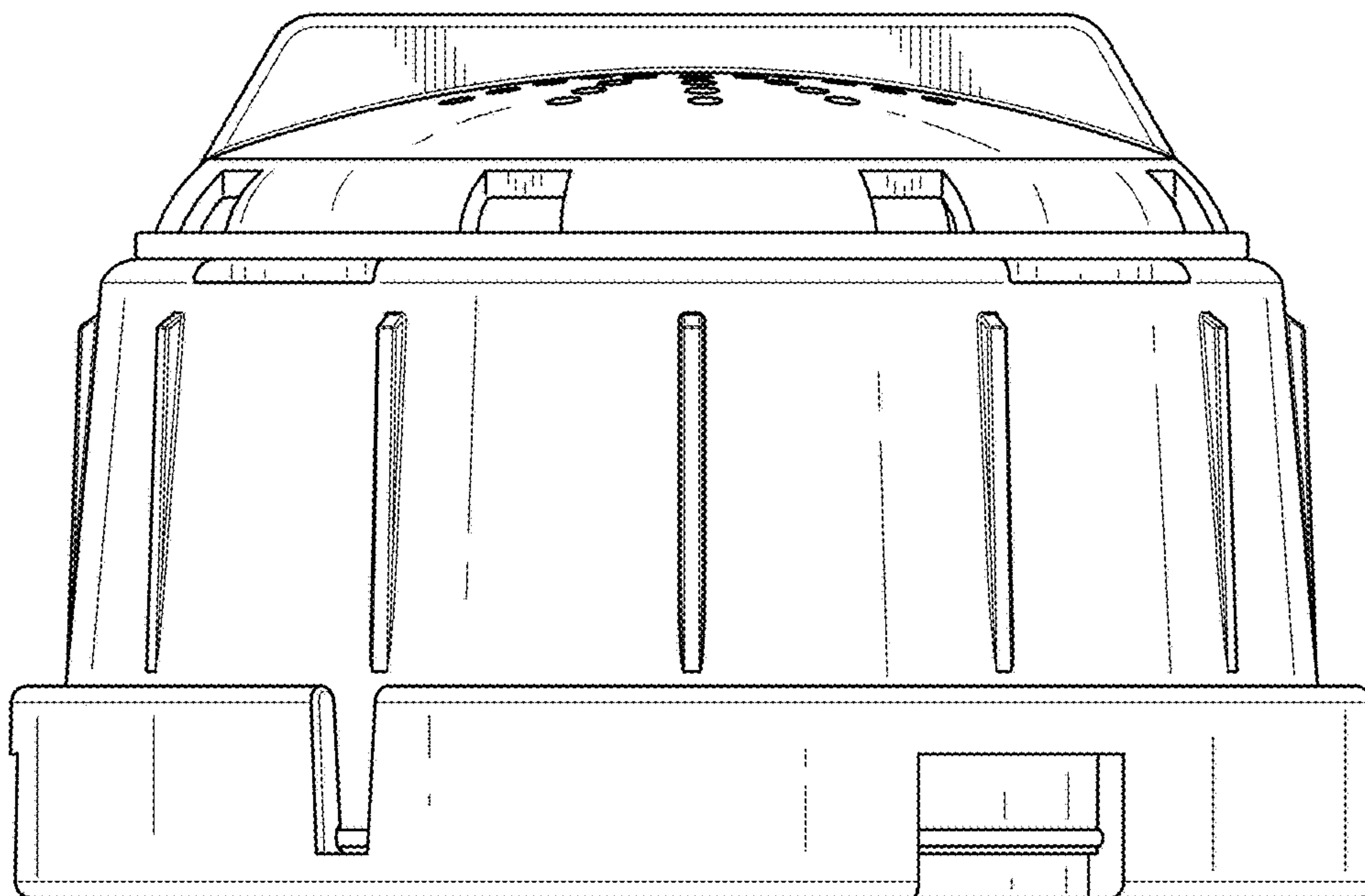


FIG. 7

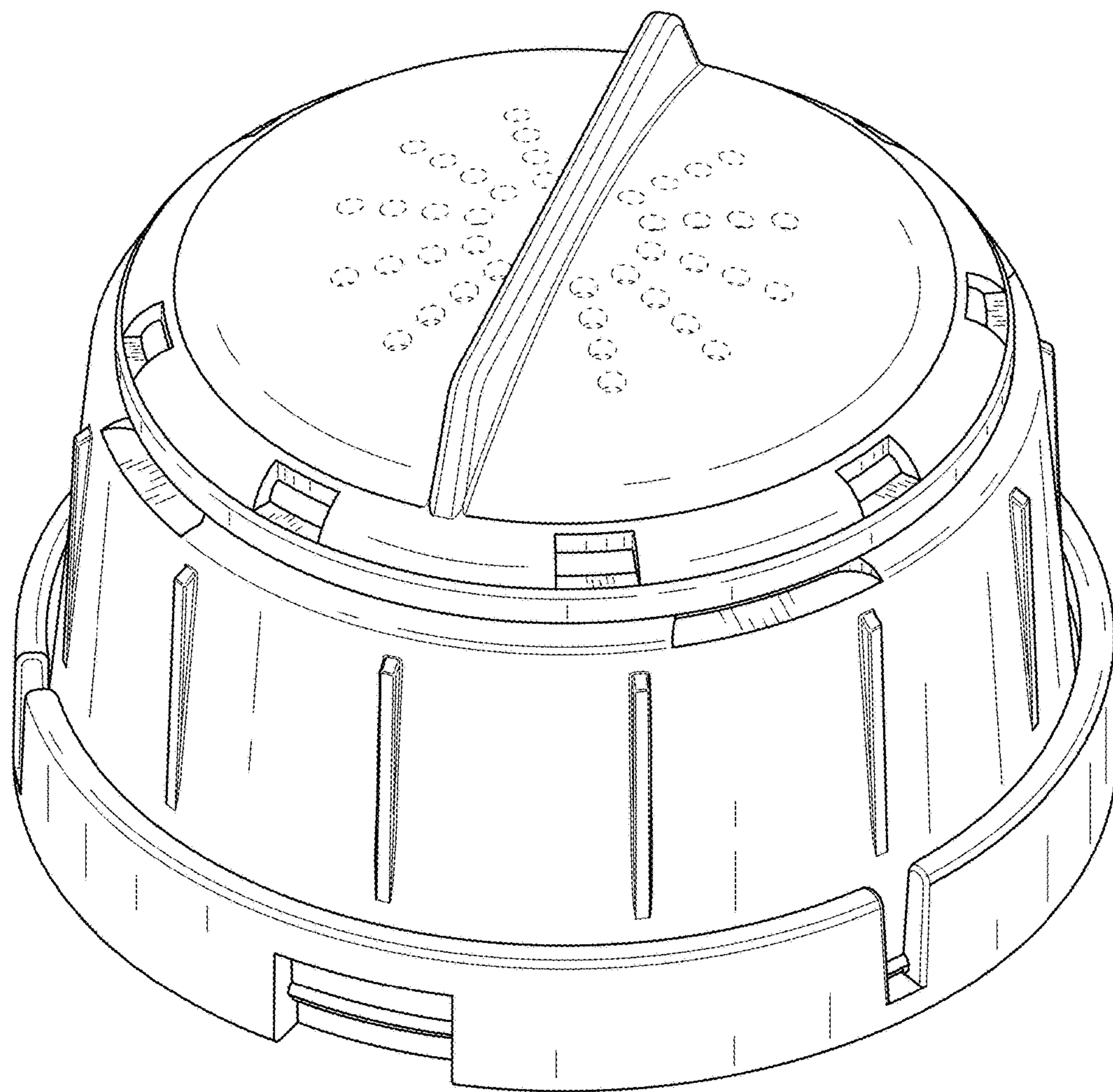


FIG. 8

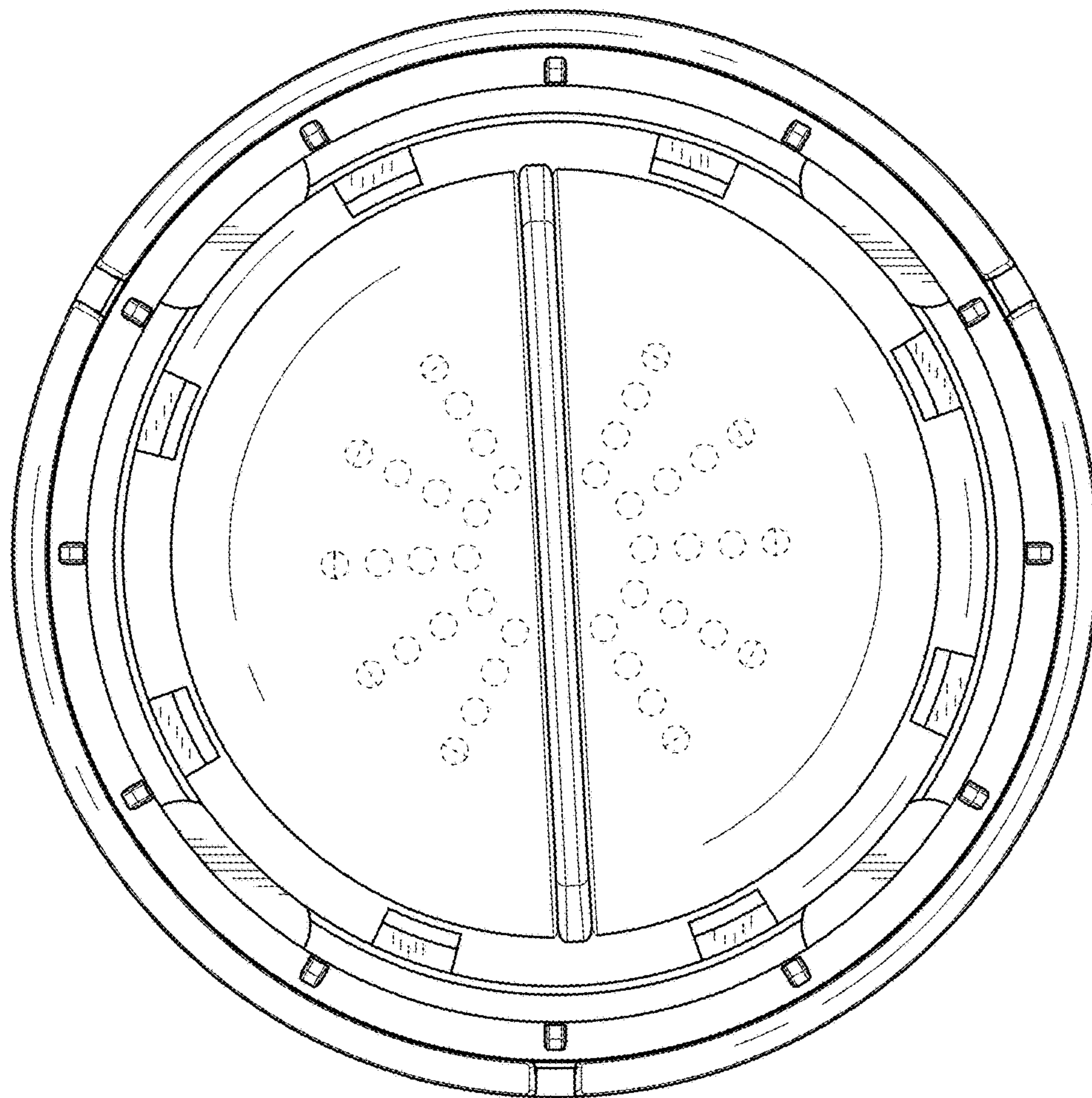


FIG. 9

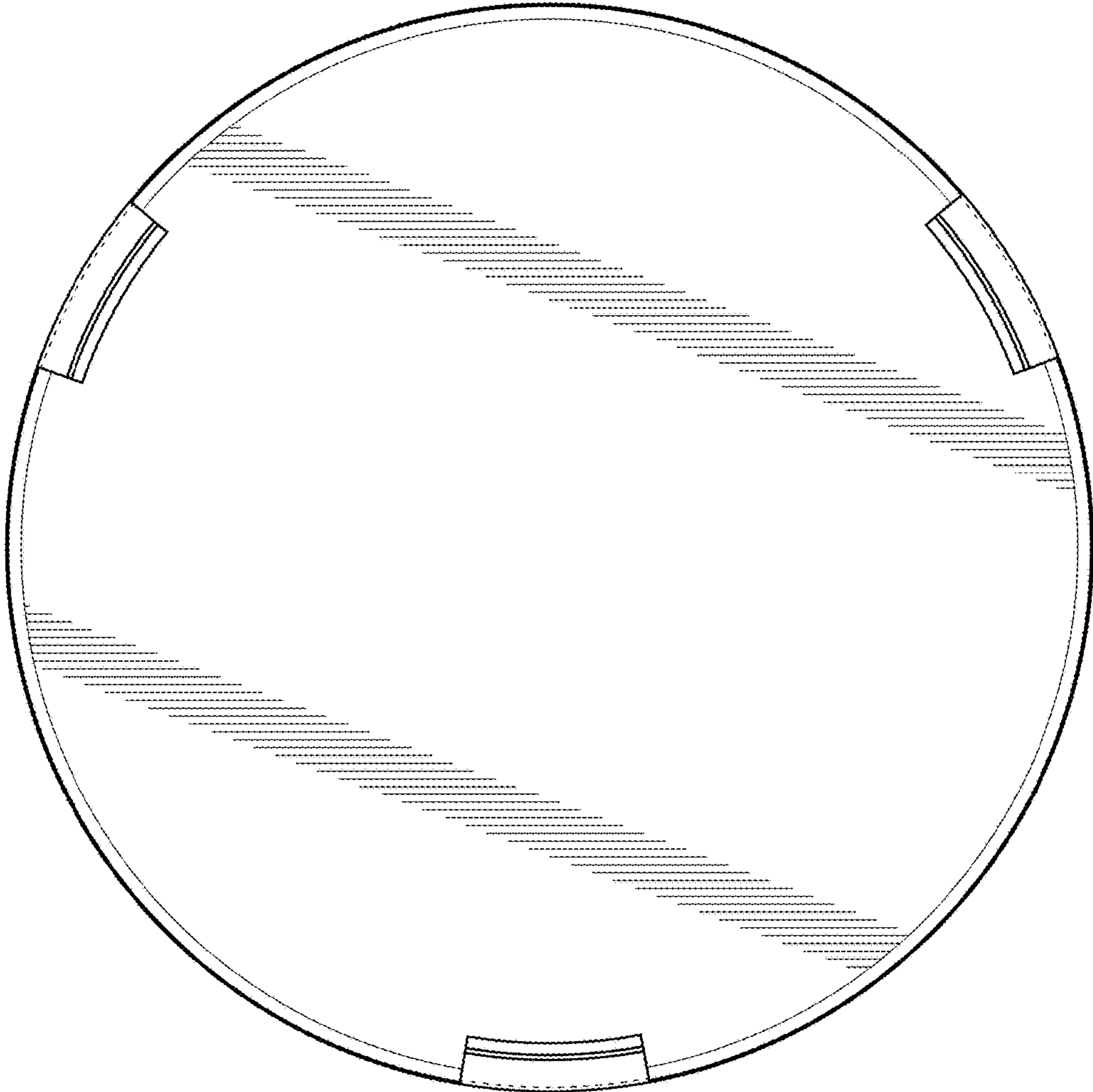


FIG. 10

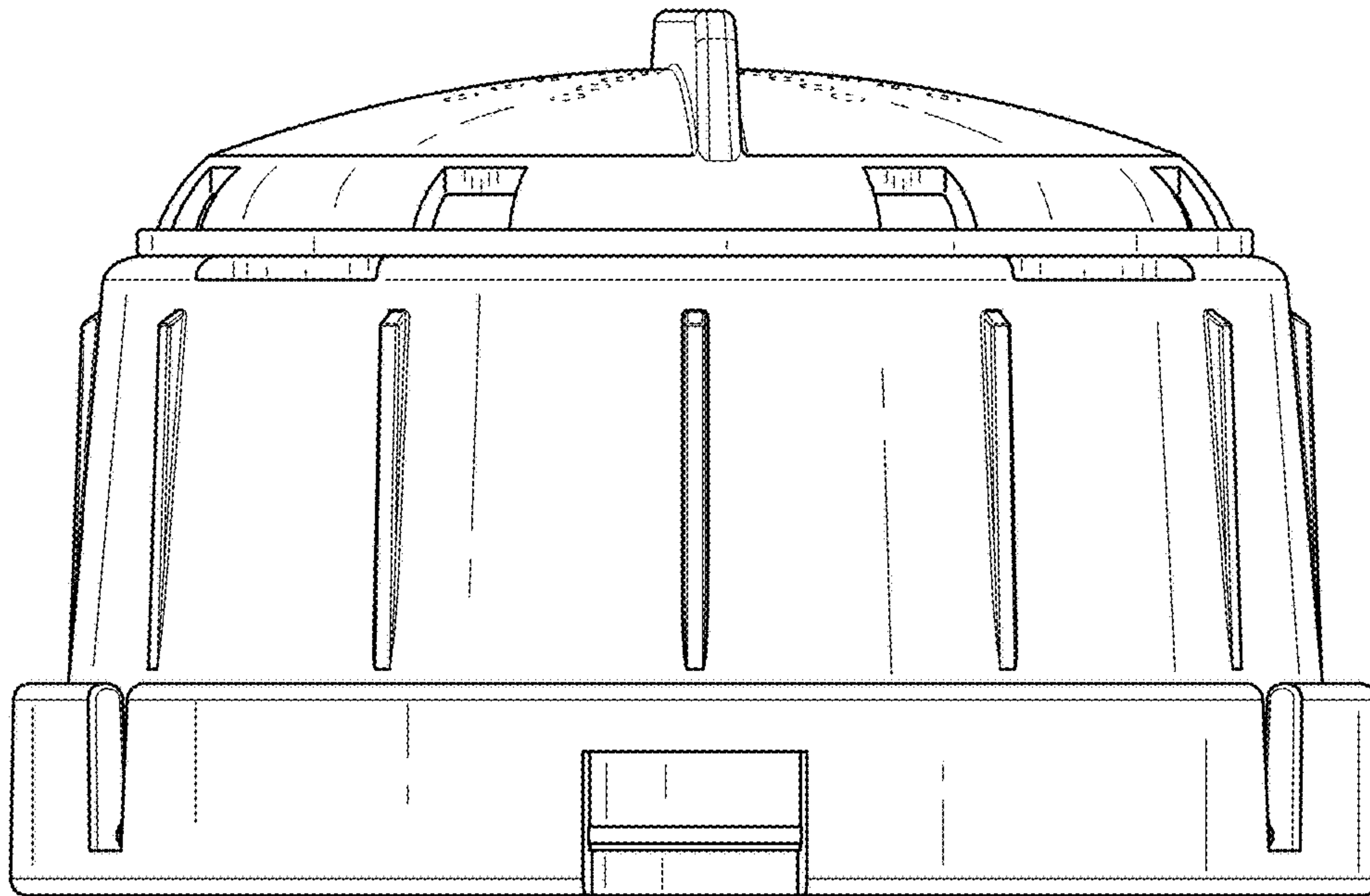


FIG. 11

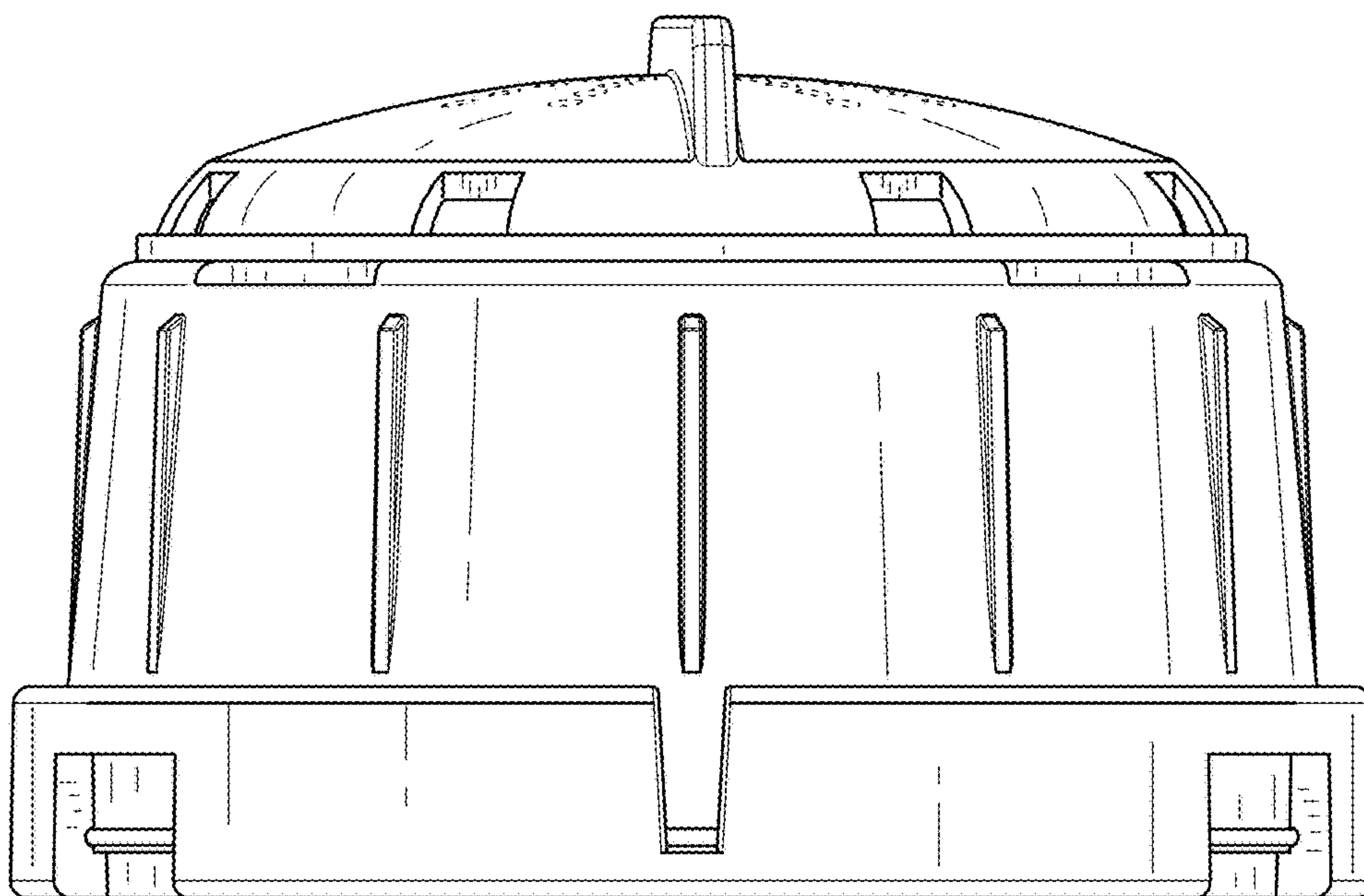


FIG. 12

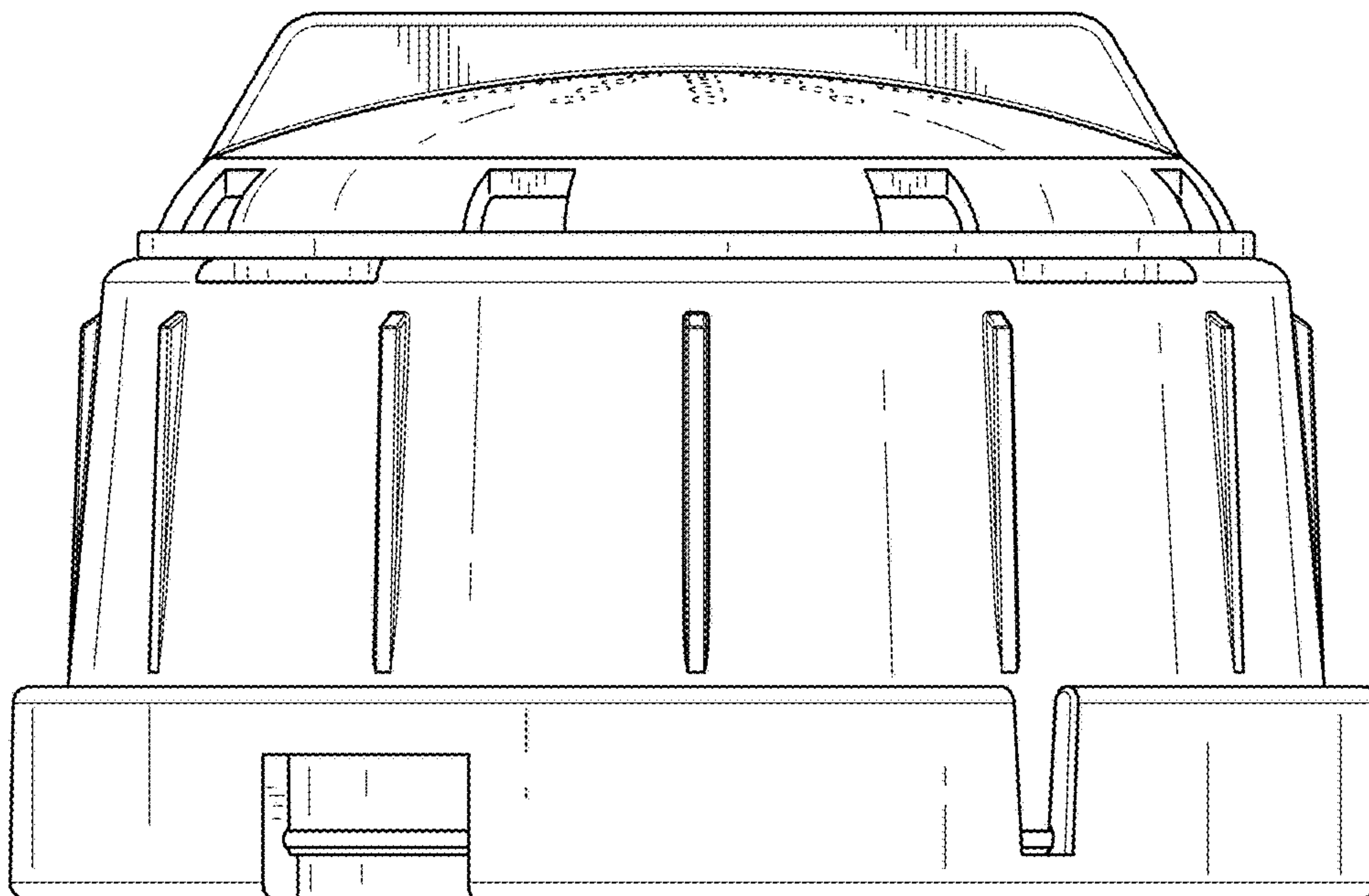


FIG. 13

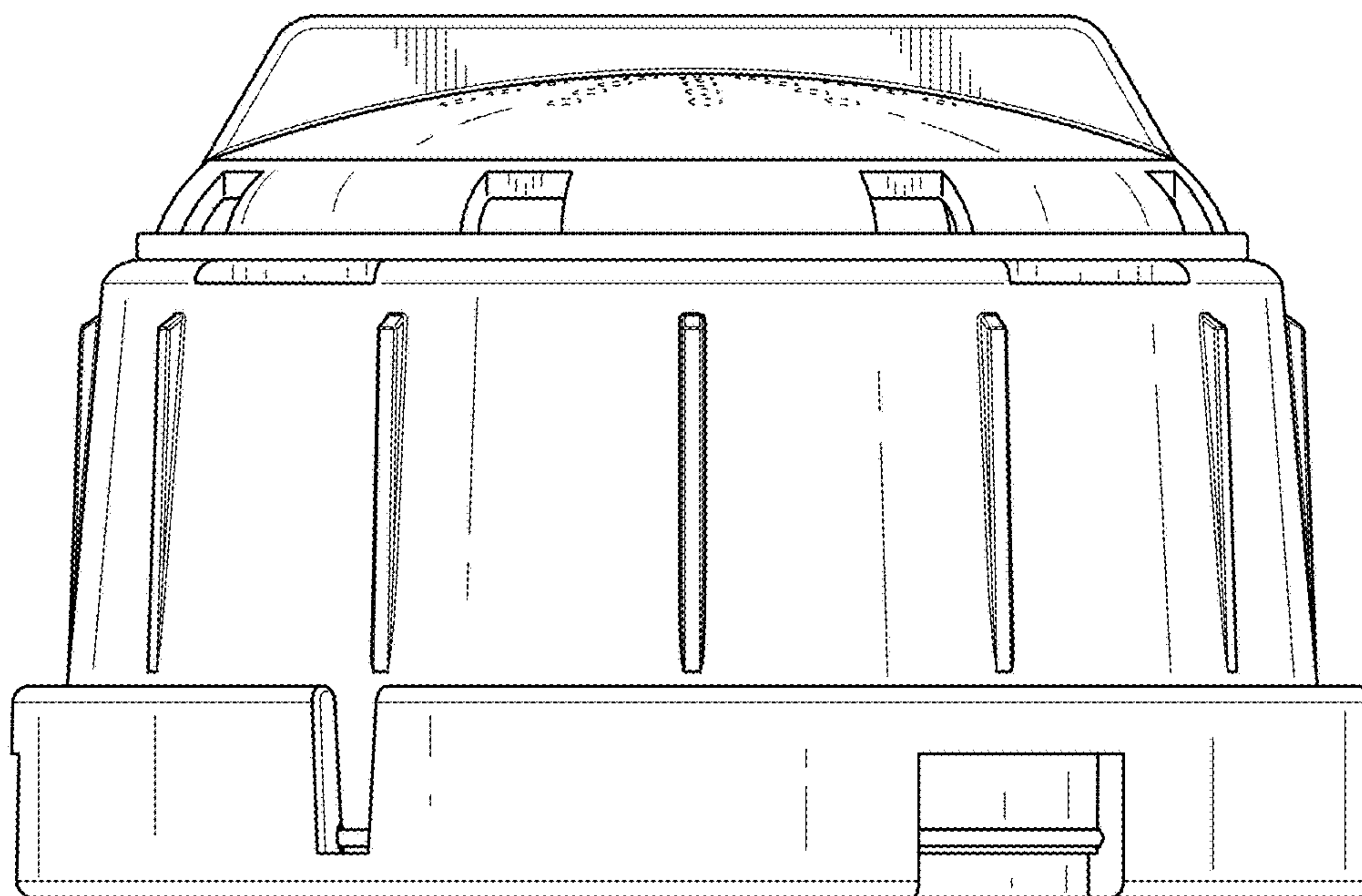


FIG. 14