



US00D791613S

(12) **United States Design Patent** (10) **Patent No.:** **US D791,613 S**
Snider et al. (45) **Date of Patent:** **** Jul. 11, 2017**

(54) **CONTAINER HAVING SURFACE INDICIA**

(71) Applicant: **The Procter & Gamble Company,**
Cincinnati, OH (US)

(72) Inventors: **Luke Anthony Snider,** Cincinnati, OH (US); **Jack Wesley English, III,** Liberty Township, OH (US); **Robert Eugene Heard,** Covington, KY (US); **Amy Meyers Krehbiel,** Cincinnati, OH (US)

(73) Assignee: **The Procter & Gamble Company,**
Cincinnati, OH (US)

(**) Term: **15 Years**

(21) Appl. No.: **29/561,344**

(22) Filed: **Apr. 15, 2016**

(51) **LOC (10) Cl.** **09-05**

(52) **U.S. Cl.**
USPC **D9/703**

(58) **Field of Classification Search**
USPC D9/702-714, 720-722, 414, 434-435, D9/447, 516-517, 440, 424, 430-432; D24/118, 207; 383/61.1, 80-81, 901, 383/203, 107, 119-120, 123, 67; 222/107, 92, 206, 215; 604/408, 403; 220/495.03, 675; 215/381-385, 400; D5/4-6, 8-22, 24, 32, 36; D3/202; 428/34.3; 128/DIG. 24; 426/106; D18/43, 56; D28/85, 88, 84, 831, 99
CPC B65D 1/0223; B65D 79/005; B65D 81/00; B65D 81/36; B65D 33/00; B65D 33/02; B65D 33/04; B65D 33/24; A61J 1/00; A61J 1/10

See application file for complete search history.

(56) **References Cited**

U.S. PATENT DOCUMENTS

D589,792 S * 4/2009 Clabough D9/434
D597,850 S * 8/2009 Quick D20/11

D639,673 S * 6/2011 Graham D9/434
D660,160 S * 5/2012 Bouma D9/516
D721,280 S * 1/2015 Keukens D9/434
D722,506 S * 2/2015 Dahm D9/434
D756,218 S * 5/2016 Read D9/434
D762,122 S * 7/2016 Spenceman D9/434
D772,072 S * 11/2016 Klopp D9/434

(Continued)

FOREIGN PATENT DOCUMENTS

WO DM/083869 5/2014

OTHER PUBLICATIONS

U.S. Appl. No. 15/099,670, filed Apr. 15, 2016, Luke Anthony Snider.

(Continued)

Primary Examiner — Abraham T Bahta

(74) *Attorney, Agent, or Firm* — Melissa Krasovec; Leonard W Lewis; Steven W Miller

(57) **CLAIM**

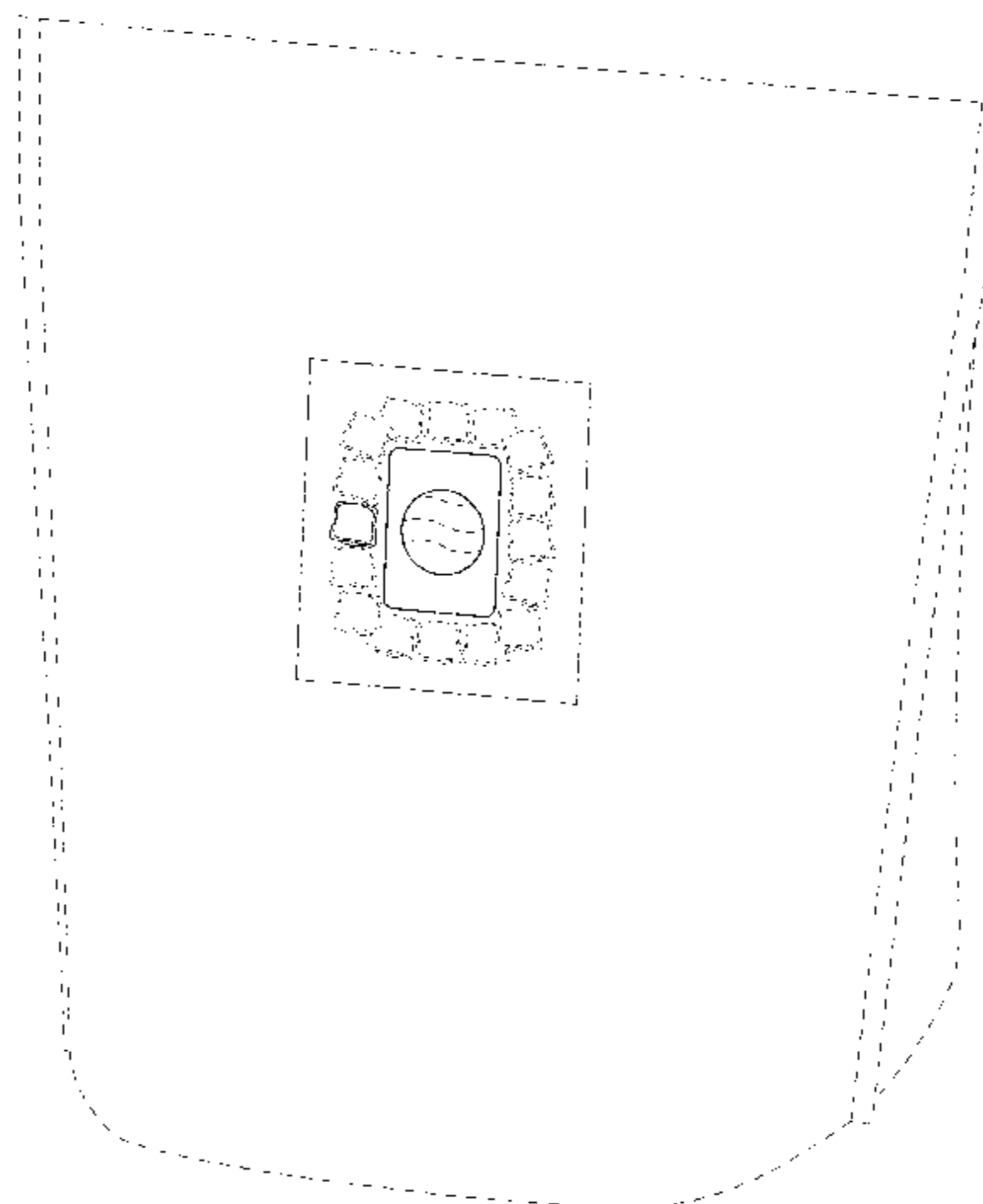
The ornamental design for a container having surface indicia, as shown and described.

DESCRIPTION

FIG. 1 is a rear perspective view of an embodiment of a container having surface indicia;
FIG. 2 is a rear view thereof;
FIG. 3 is a right side view thereof;
FIG. 4 is a front view thereof;
FIG. 5 is a left side view thereof;
FIG. 6 is a top view thereof; and,
FIG. 7 is a bottom view thereof.

The broken lines shown in the drawings are for illustrative purposes only and form no part of the claimed design.

1 Claim, 6 Drawing Sheets



(56)

References Cited

U.S. PATENT DOCUMENTS

D777,040 S * 1/2017 Labahn-Childs D9/434

OTHER PUBLICATIONS

U.S. Appl. No. 15/099,673, filed Apr. 15, 2016, Jack Wesley English, III.

U.S. Appl. No. 29/561,343, filed Apr. 15, 2016, Luke Anthony Snider.

U.S. Appl. No. 29/561,346, filed Apr. 15, 2016, Luke Anthony Snider.

Commercially available Products, photographs taken on Nov. 23, 2015. (6 packages).

Instructions on a top-loading washing machine. (Photograph taken on Nov. 17, 2016).

American Cleaning Institute, High Efficiency Washers and Dryers-Working in Harmony to Save Energy and Water, pp. 1-16, © 2005, 2010 American Cleaning Institute. www.cleaninginstitute.org.

* cited by examiner

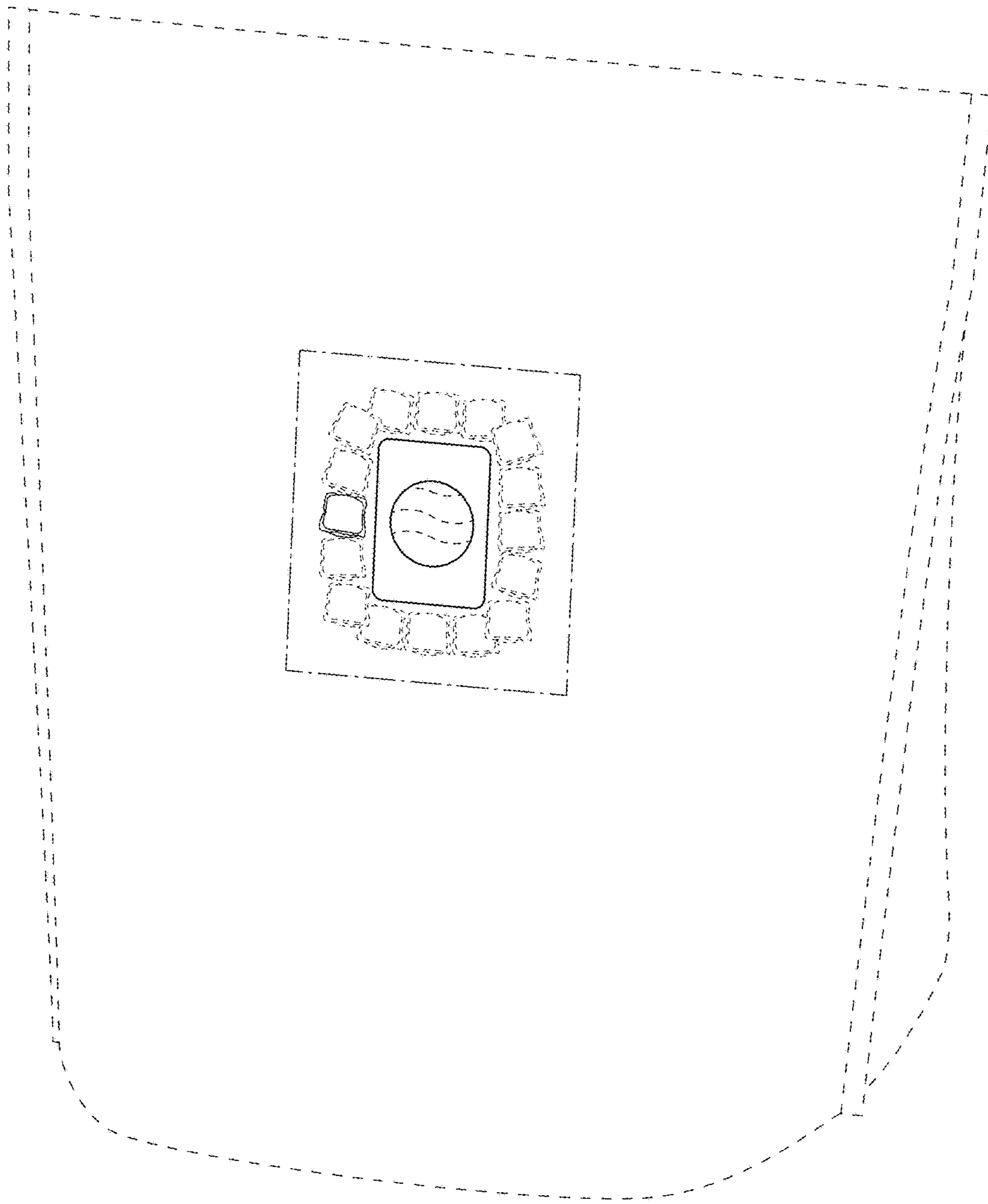


FIG. 1

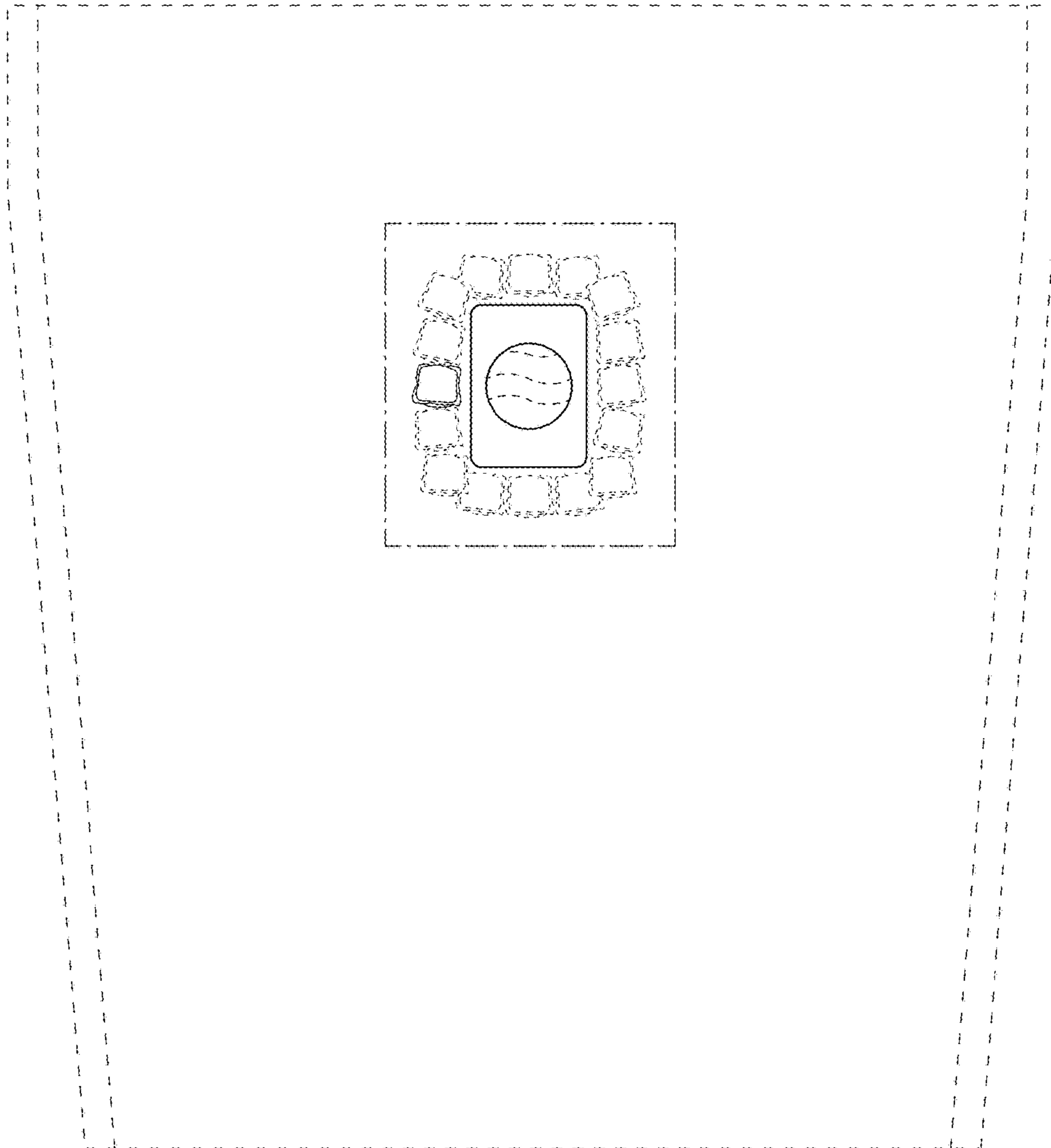


FIG. 2

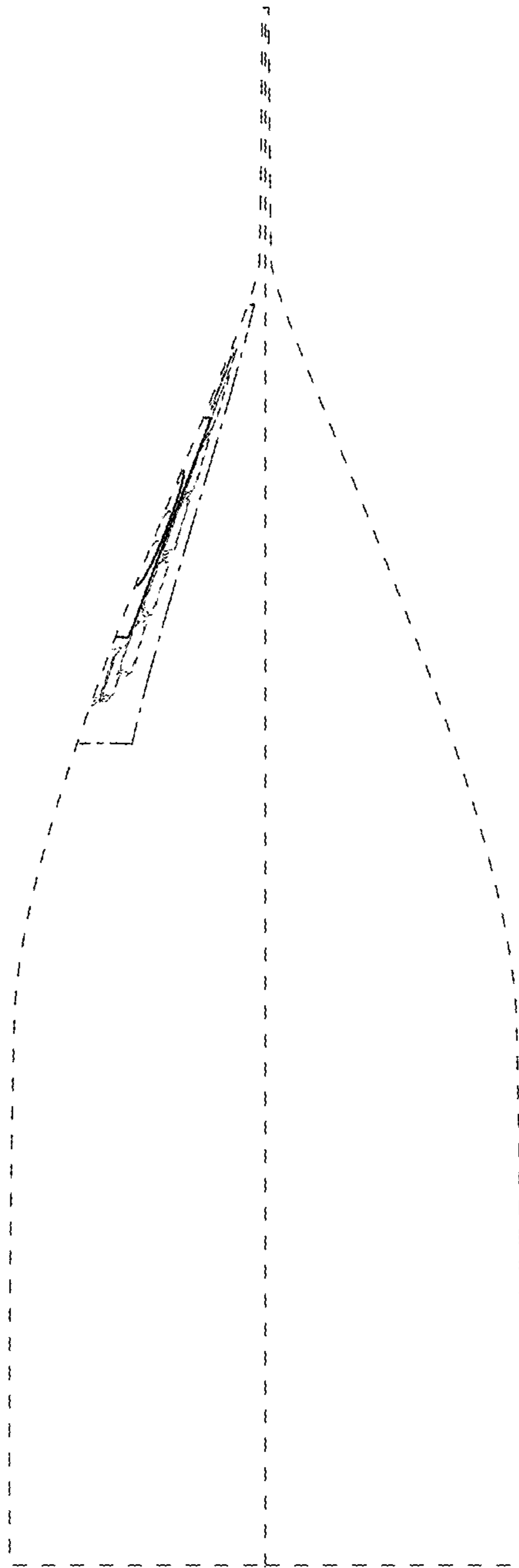


FIG. 3

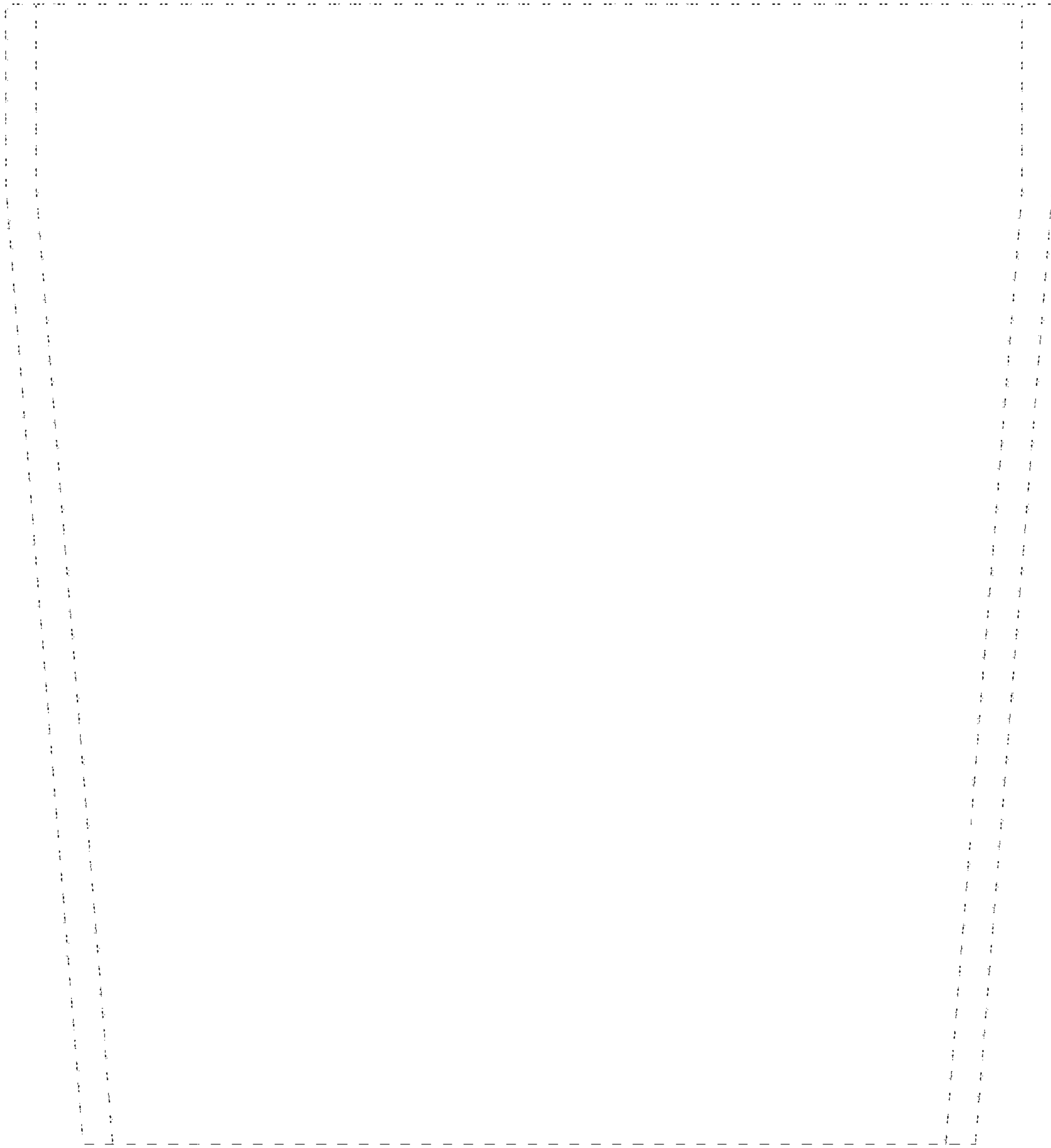


FIG. 4

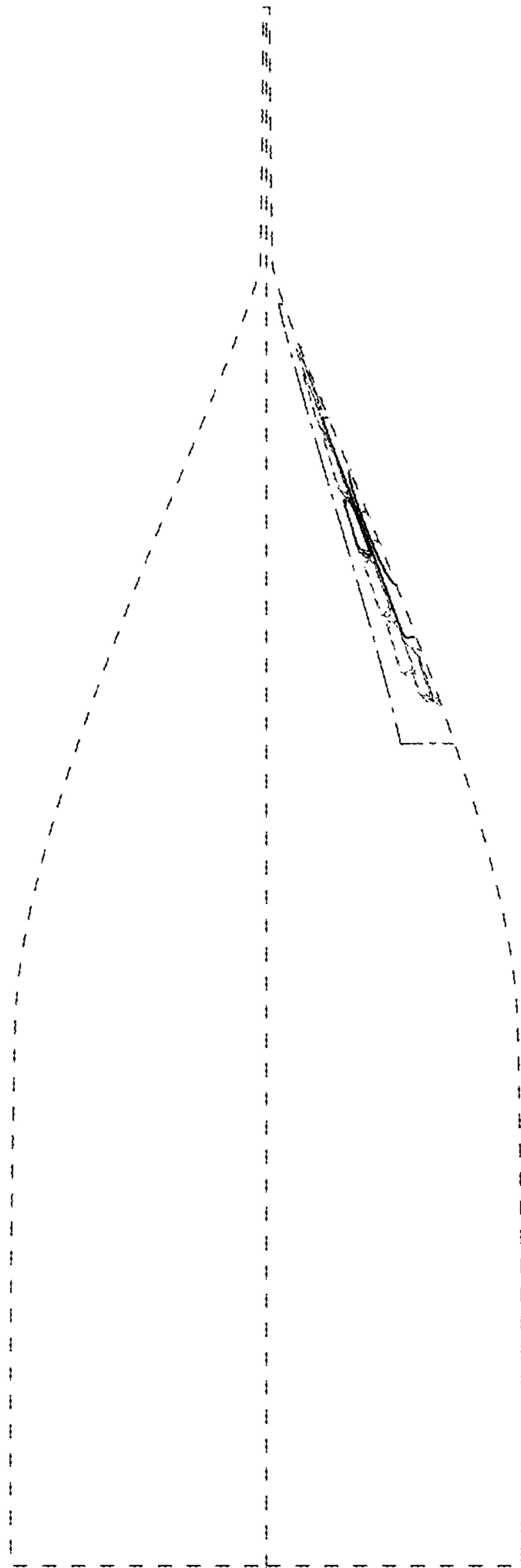


FIG. 5

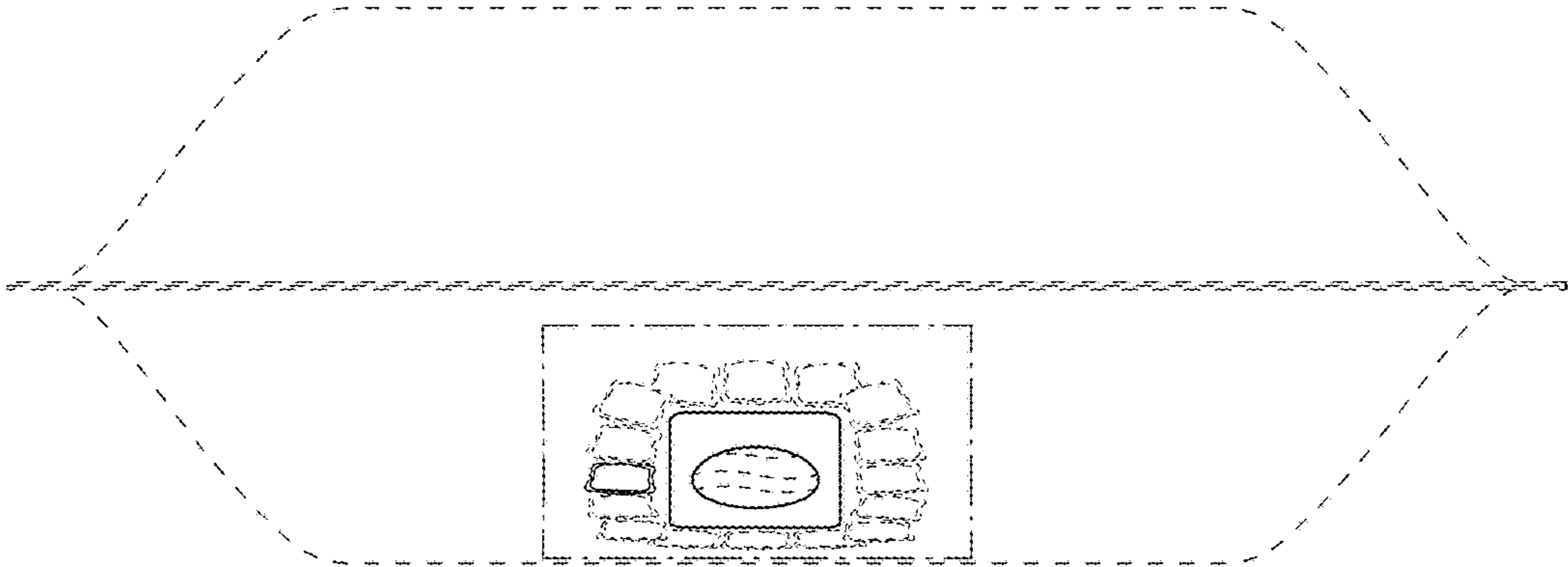


FIG. 6



FIG. 7