



US00D791601S

(12) **United States Design Patent**
Hainaut

(10) **Patent No.:** **US D791,601 S**

(45) **Date of Patent:** **** Jul. 11, 2017**

(54) **BOTTLE**

(71) Applicant: **Diageo North America, Inc.**, Norwalk, CT (US)

(72) Inventor: **Laurent Hainaut**, New York, NY (US)

(73) Assignee: **DIAGEO NORTH AMERICA, INC.**, Norwalk, CT (US)

(**) Term: **14 Years**

(21) Appl. No.: **29/494,511**

(22) Filed: **Jun. 20, 2014**

(51) **LOC (10) Cl.** **09-01**

(52) **U.S. Cl.**
USPC **D9/543**; D9/544; D9/563; D9/575

(58) **Field of Classification Search**
USPC D9/434–435, 439, 454, 505, 516, 530,
D9/541–546, 559–560, 563, 572–575,
D9/715, 719; D7/300, 300.1, 316–317,
D7/598
CPC B65D 1/00; B65D 1/02; B65D 1/0223;
B65D 23/00; B65D 81/00; B65D
2501/00; B65D 2501/0009; B65D
2501/0081

See application file for complete search history.

(56) **References Cited**

U.S. PATENT DOCUMENTS

D1,665 S *	10/1862	Bobinson	D9/560
D22,354 S *	4/1893	Wheaton	D9/542
D25,023 S *	12/1895	Rankine	D9/543
D25,402 S *	4/1896	Nelson	D9/544
D45,997 S *	6/1914	Liebenthal	D9/542
D76,180 S *	8/1928	Coty	D9/573
D192,942 S *	5/1962	Du Pree	D7/300
D194,713 S *	2/1963	Du Pree	D9/544
D204,570 S *	4/1966	Du Pree	D7/300
D207,802 S *	5/1967	Du Pree	D7/300

D213,041 S *	12/1968	Stehl	D9/529
D252,738 S *	8/1979	Grodin	D9/573
D256,433 S *	8/1980	Kretz	D7/300
D257,225 S *	10/1980	Kretz	D7/300
D257,956 S *	1/1981	Ito	D9/544
D277,077 S *	1/1985	Kaneko	D9/518
D287,823 S *	1/1987	Rosenwinkel	D9/542
D341,091 S *	11/1993	Granai	D9/573

(Continued)

FOREIGN PATENT DOCUMENTS

CA	12106	9/1938
EM	000289558-0001	2/2005

(Continued)

Primary Examiner — Dana L Meyrow

(74) *Attorney, Agent, or Firm* — Dorsey & Whitney LLP

(57) **CLAIM**

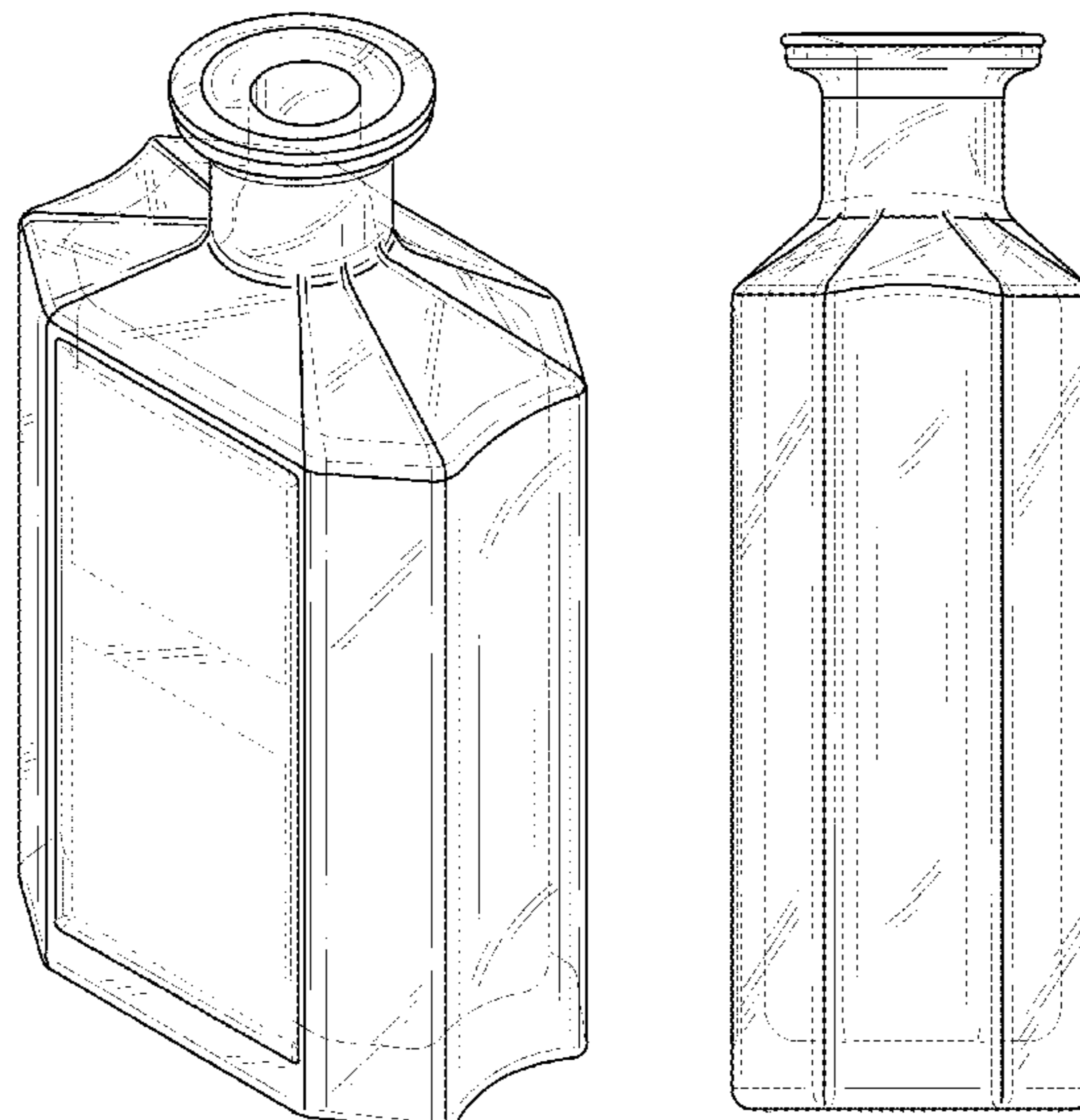
I claim the ornamental design for a bottle, substantially as shown and described.

DESCRIPTION

FIG. 1 is a front isometric view of a bottle.
FIG. 2 is a front elevation view of the bottle of FIG. 1.
FIG. 3 is a rear elevation view of the bottle of FIG. 1.
FIG. 4 is a right side elevation view of the bottle of FIG. 1.
FIG. 5 is a left side elevation view of the bottle of FIG. 1.
FIG. 6 is a top plan view of the bottle of FIG. 1.
FIG. 7 is a bottom plan view of the bottle of FIG. 1; and,
FIG. 8 is a front elevation view of the bottle of FIG. 1 further depicting a liquid therein.

The evenly-dashed broken lines in the drawings illustrate the portions of the bottle that form no part of the claimed design. The dot-dash broken lines in the drawings define the bounds of the claimed design and form no part thereof. The stippling and the evenly-dashed broken line immediately adjacent to the stippling form no part of the claimed design, representing an unclaimed liquid contents.

1 Claim, 6 Drawing Sheets



(56)

References Cited

U.S. PATENT DOCUMENTS

D354,443	S	*	1/1995	Granai	D9/573
D386,973	S	*	12/1997	Stoecker	D9/542
D421,392	S		3/2000	Visola		
D428,577	S	*	7/2000	Shanahan	D9/544
D431,193	S	*	9/2000	Shanahan	D9/544
D432,427	S	*	10/2000	Shanahan	D9/544
D433,938	S	*	11/2000	Polan	D9/560
D512,638	S		12/2005	Baron		
D527,647	S	*	9/2006	Blank	D9/563
D558,587	S	*	1/2008	Gibson	D9/571
D622,602	S	*	8/2010	Potts	D9/544
D657,685	S	*	4/2012	Janney	D9/544
D739,756	S	*	9/2015	Manley	D9/544
D739,760	S	*	9/2015	Manley	D9/544
D740,127	S	*	10/2015	Chertoff	D9/444

FOREIGN PATENT DOCUMENTS

EM	000344338-0001	5/2005
EM	000607890-0001	10/2006
EM	001968850-0001	12/2011
EM	001968850-0002	12/2011
EM	001968850-0003	12/2011
EM	002153254-0001	12/2012
EM	002193367-0001	2/2013
WO	D072869-001	1/2010

* cited by examiner

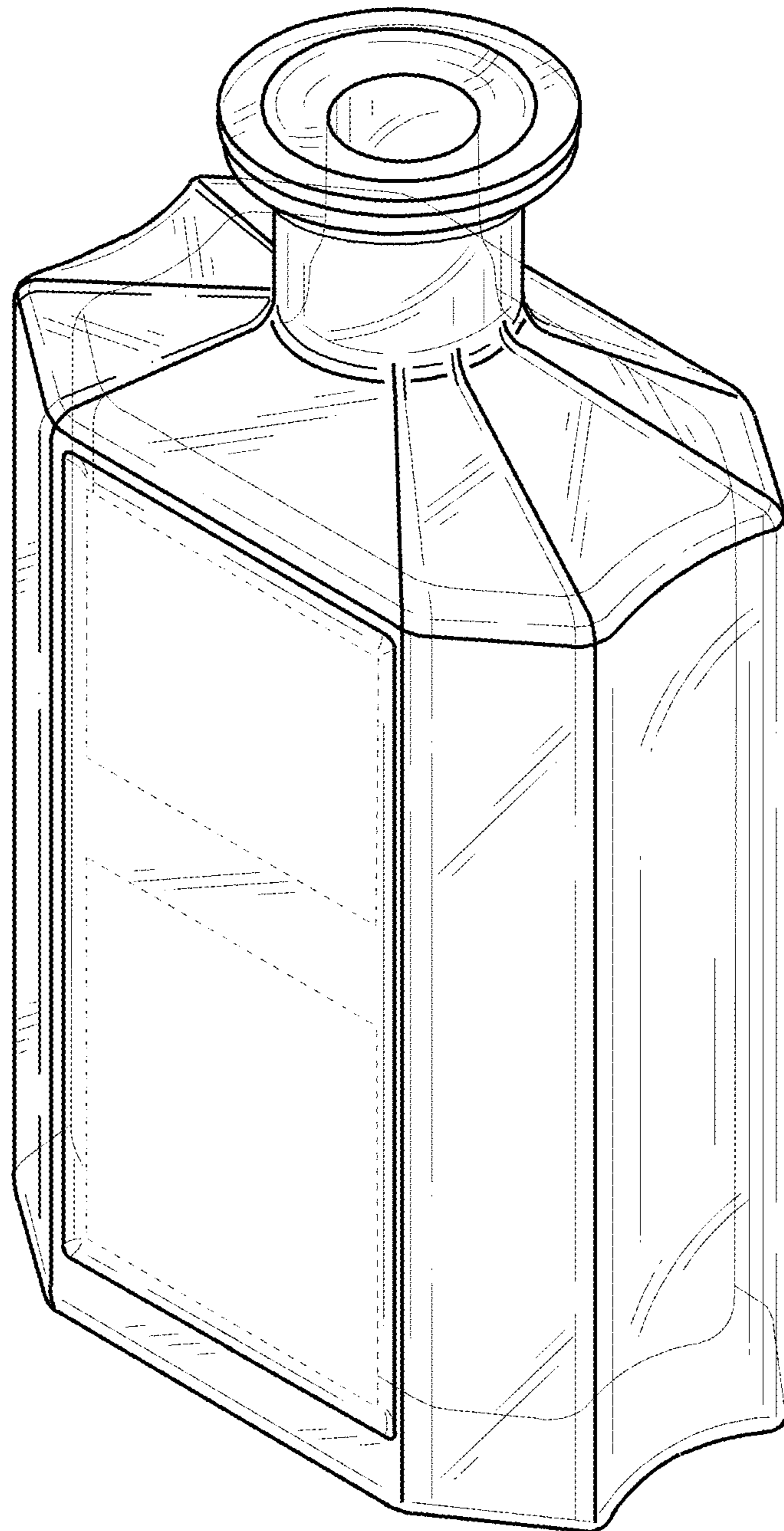


FIG. 1

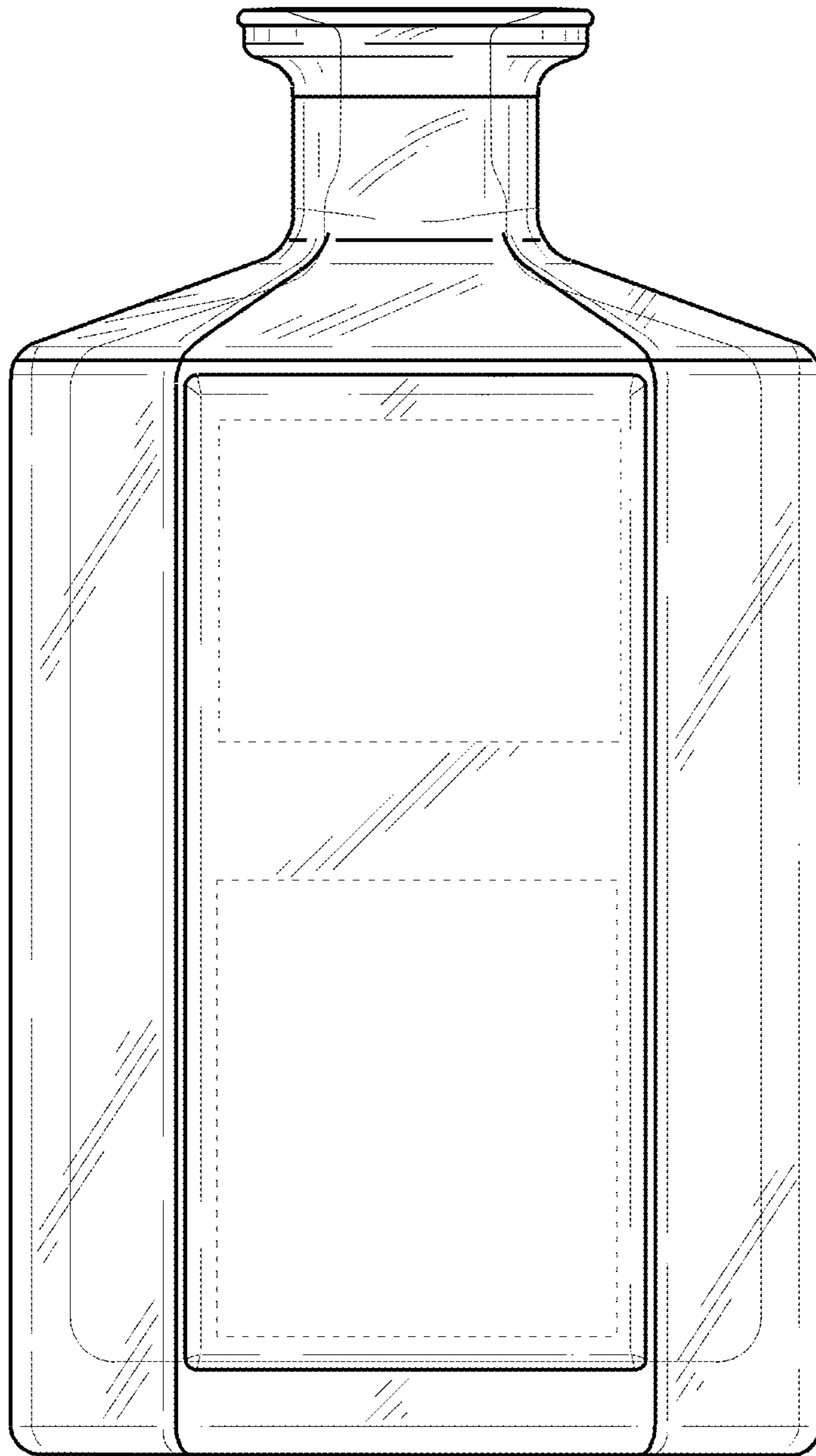


FIG. 2

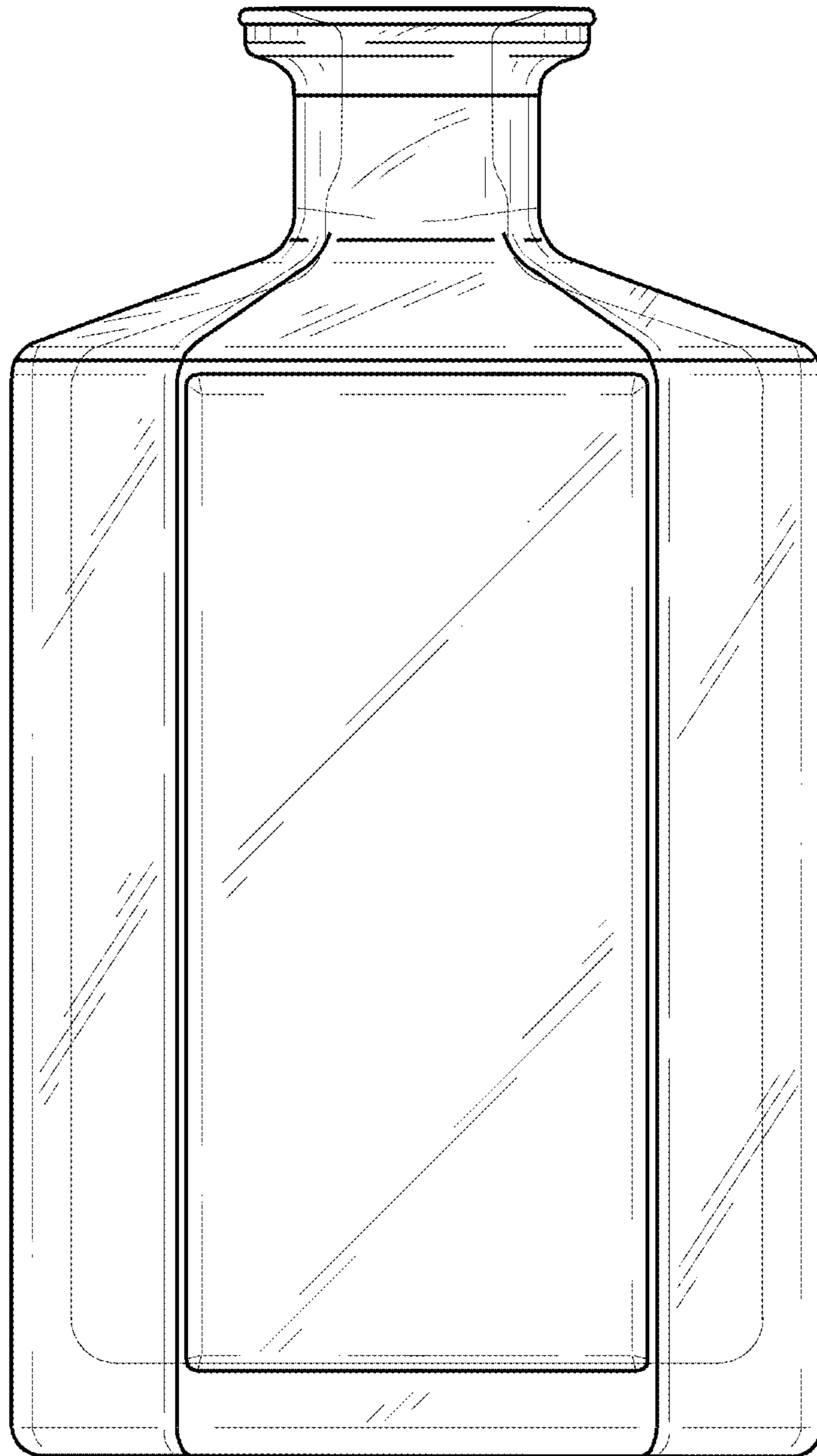


FIG. 3

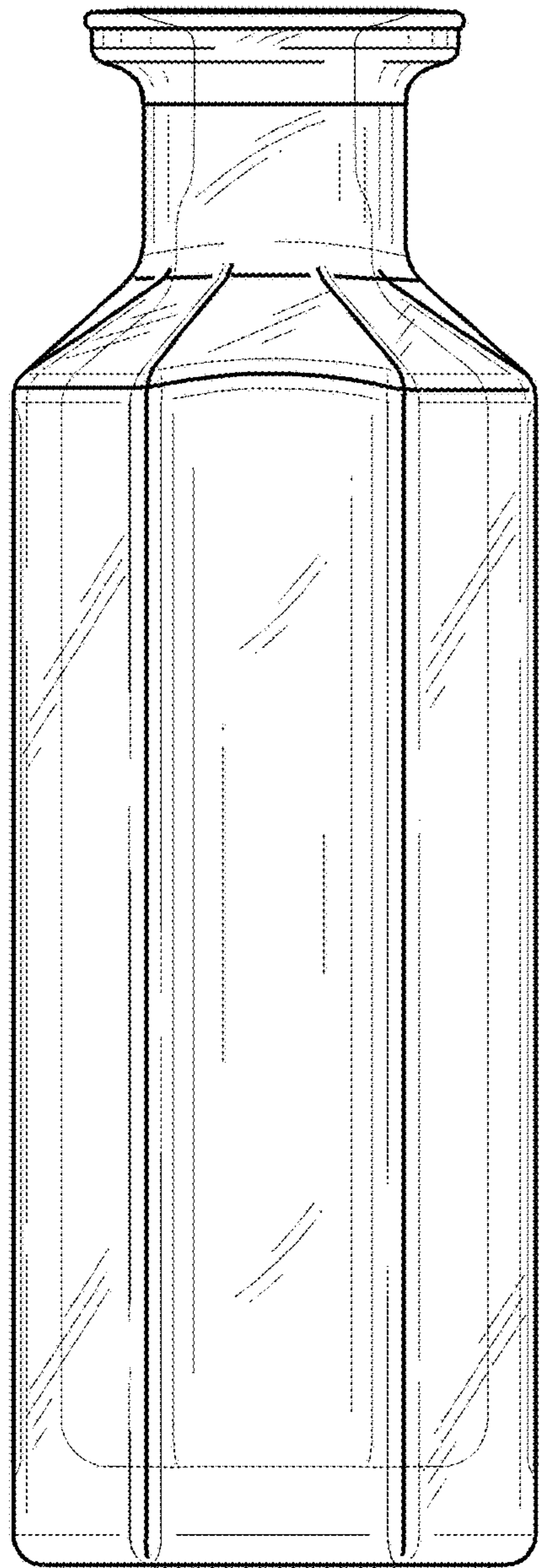


FIG. 4

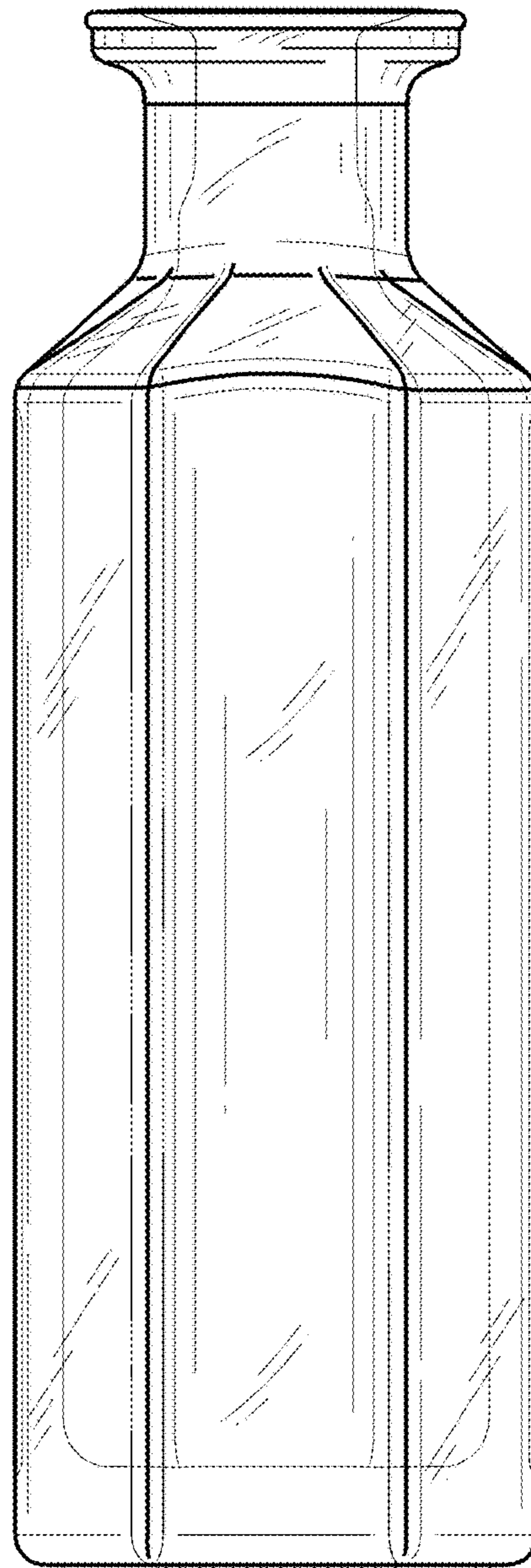


FIG. 5

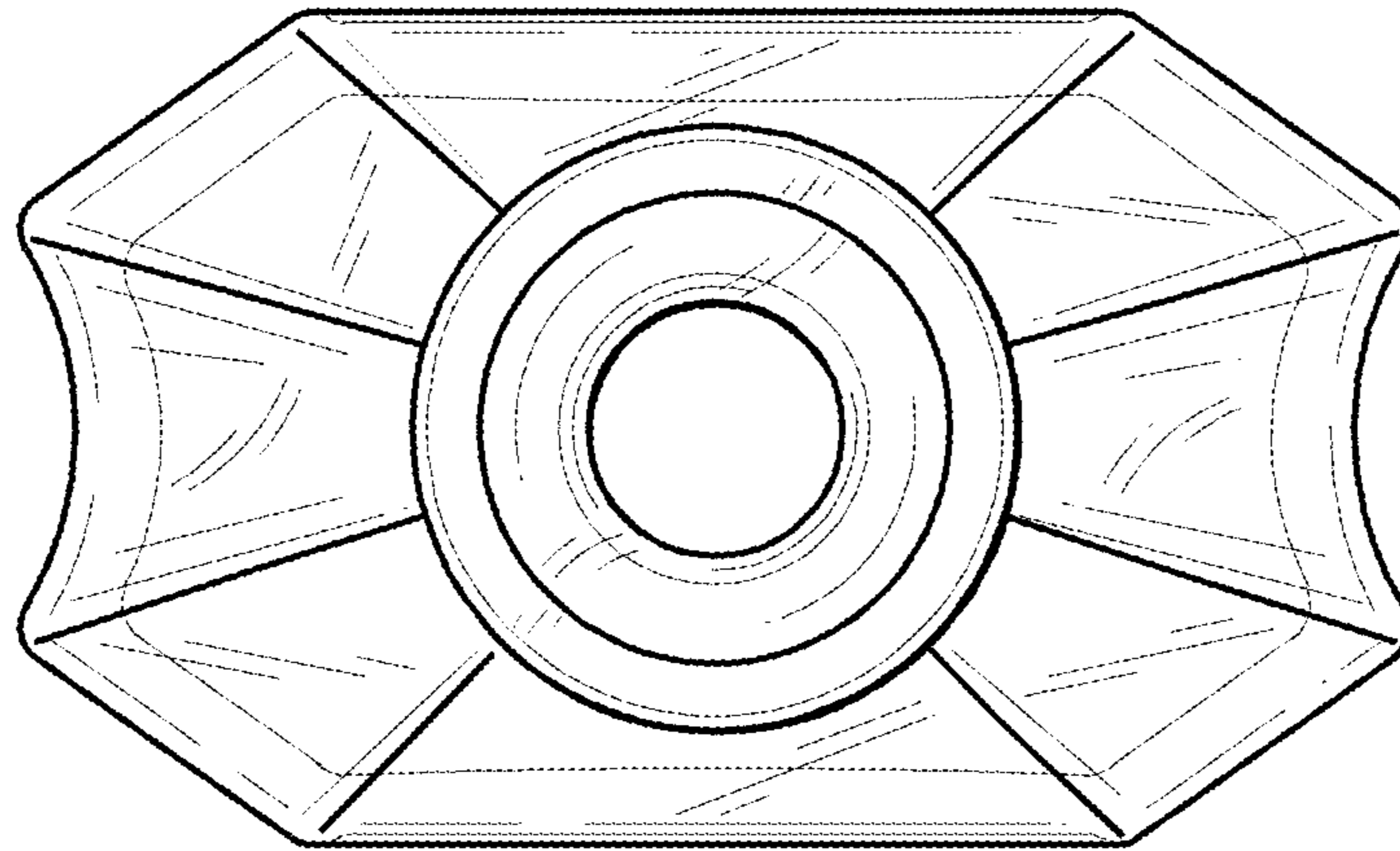


FIG. 6

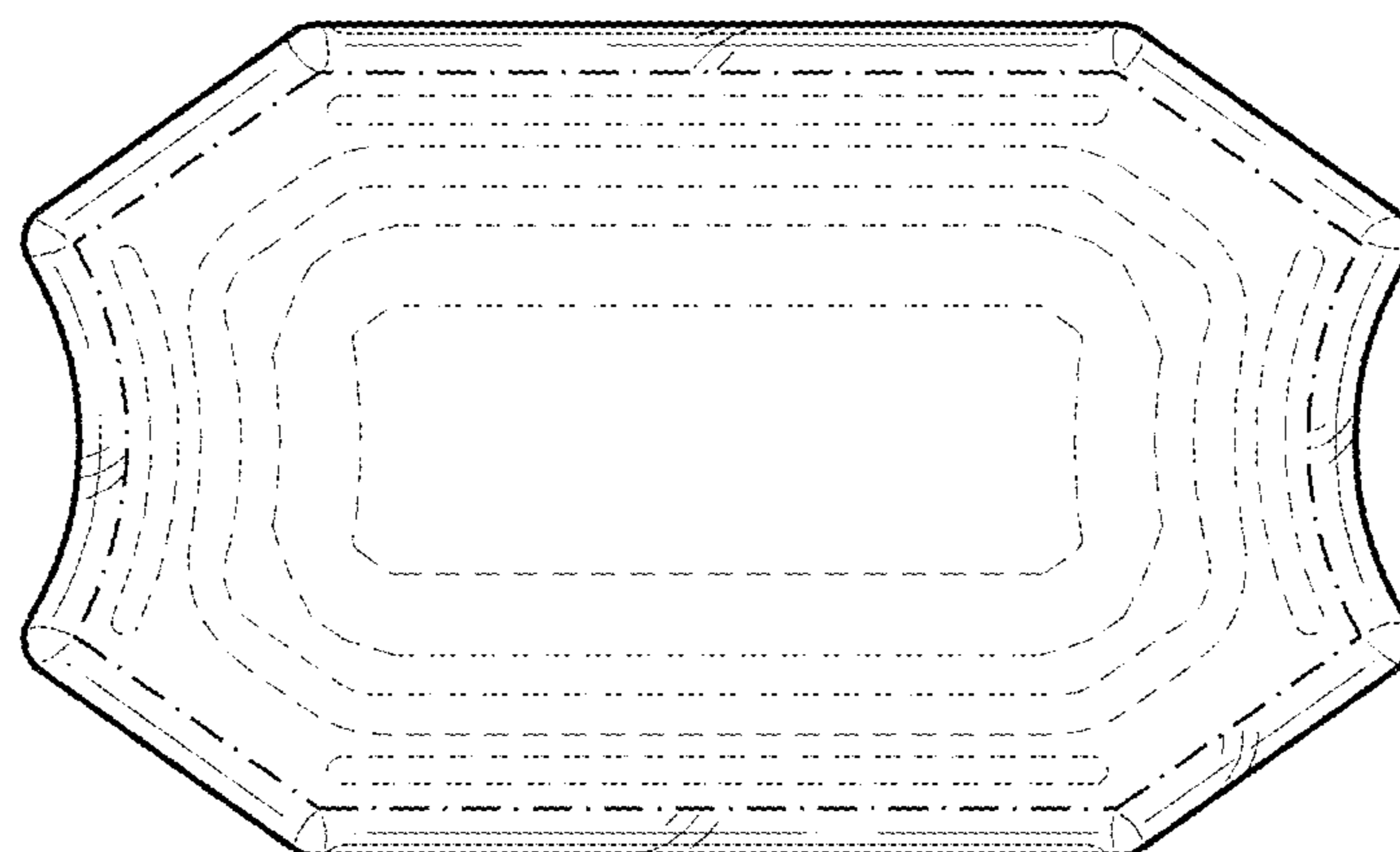


FIG. 7

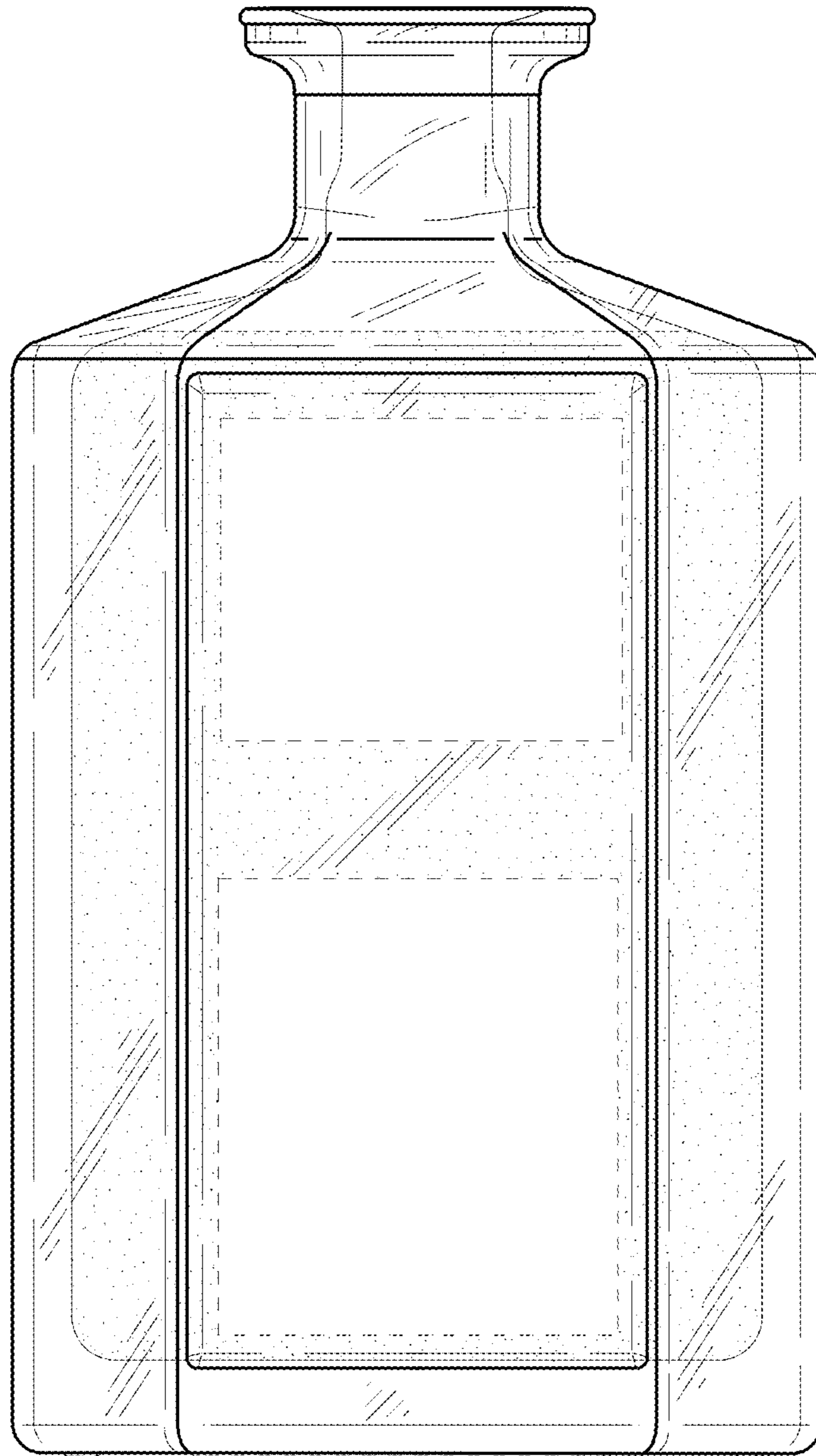


FIG. 8