



US00D791599S

(12) **United States Design Patent**
Morton et al.

(10) **Patent No.:** **US D791,599 S**

(45) **Date of Patent:** **** Jul. 11, 2017**

(54) **CARBOY**

(71) Applicant: **Brewcraft USA**, Vancouver, WA (US)

(72) Inventors: **Brian Morton**, Vancouver, WA (US);
Lawrence Clouser, Vancouver, WA
(US); **Jason Rogers**, Vancouver, WA
(US)

(73) Assignee: **Great Western Malting**, Vancouver,
WA (US)

(**) Term: **15 Years**

(21) Appl. No.: **29/535,964**

(22) Filed: **Aug. 12, 2015**

(51) **LOC (10) Cl.** **09-01**

(52) **U.S. Cl.**
USPC **D9/533; D9/543**

(58) **Field of Classification Search**
USPC D9/516, 520, 522, 523, 528, 530, 531,
D9/533, 538, 539, 541-546, 549, 560,
D9/563, 565-569, 575, 715, 719;
D7/300, 598

CPC B65D 81/00; B65D 1/02; B65D 1/0207;
B65D 1/0223; B65D 1/0284; B65D
2501/0027

See application file for complete search history.

(56) **References Cited**

U.S. PATENT DOCUMENTS

D41,855 S * 10/1911 Sutherland D9/533
D84,964 S * 8/1931 Veile D9/533

D90,963 S * 10/1933 Vanderbilt D9/533
D225,154 S * 11/1972 Singer D9/533
D258,490 S * 3/1981 Stumler D9/520
D434,329 S * 11/2000 Vultaggio D9/533
D457,438 S * 5/2002 Cooper D9/533
D461,719 S * 8/2002 Nicodemus D9/533
D581,281 S * 11/2008 Westphal D9/533
D605,052 S * 12/2009 McMullen D9/516
D690,203 S * 9/2013 Hall D9/533

* cited by examiner

Primary Examiner — Ian Simmons

Assistant Examiner — Keith Frank

(74) *Attorney, Agent, or Firm* — Perkins Coie LLP

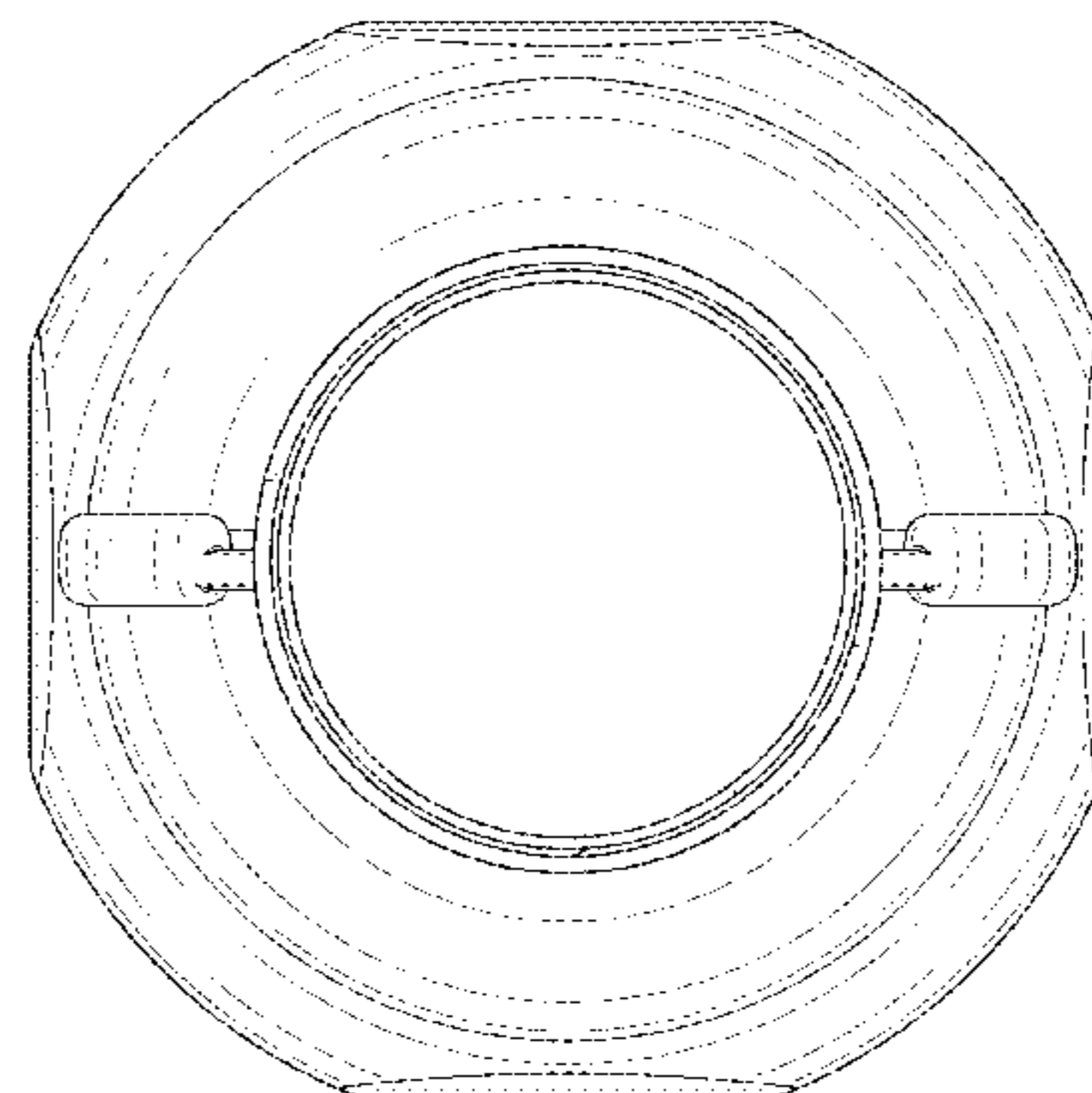
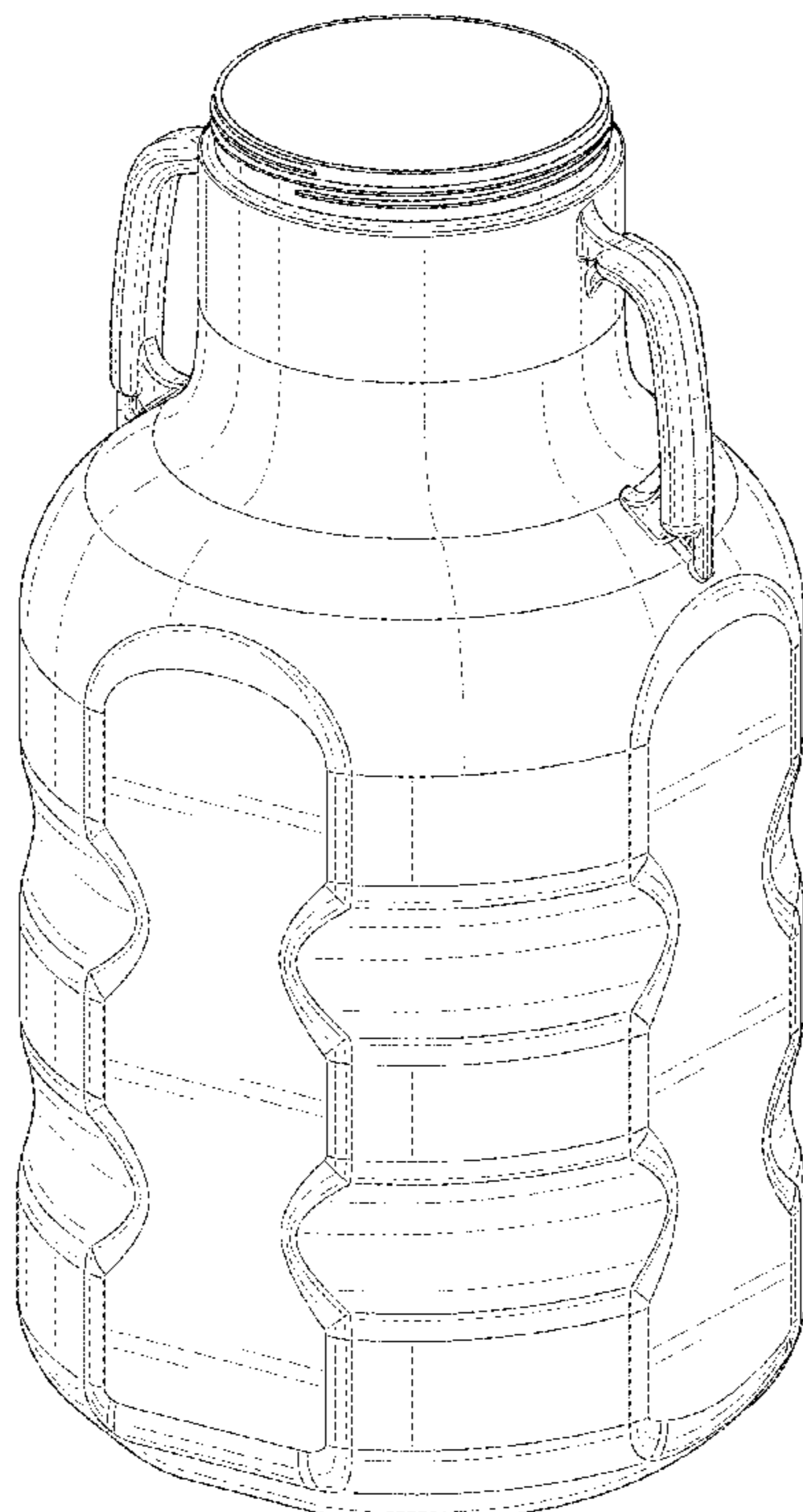
(57) **CLAIM**

The ornamental design for a carboy, as shown and described.

DESCRIPTION

FIG. 1 is a perspective view of a carboy showing my design;
FIG. 2 is a front view of the carboy of FIG. 1;
FIG. 3 is a rear side view of the carboy of FIG. 1;
FIG. 4 is a right side view of the carboy of FIG. 1;
FIG. 5 is a left side view of the carboy of FIG. 1;
FIG. 6 is a top plan view of the carboy of FIG. 1; and,
FIG. 7 is a bottom plan view of the carboy of FIG. 1.
The broken lines in the drawings illustrate the portions of the
carboy that form no part of the claimed design.

1 Claim, 7 Drawing Sheets



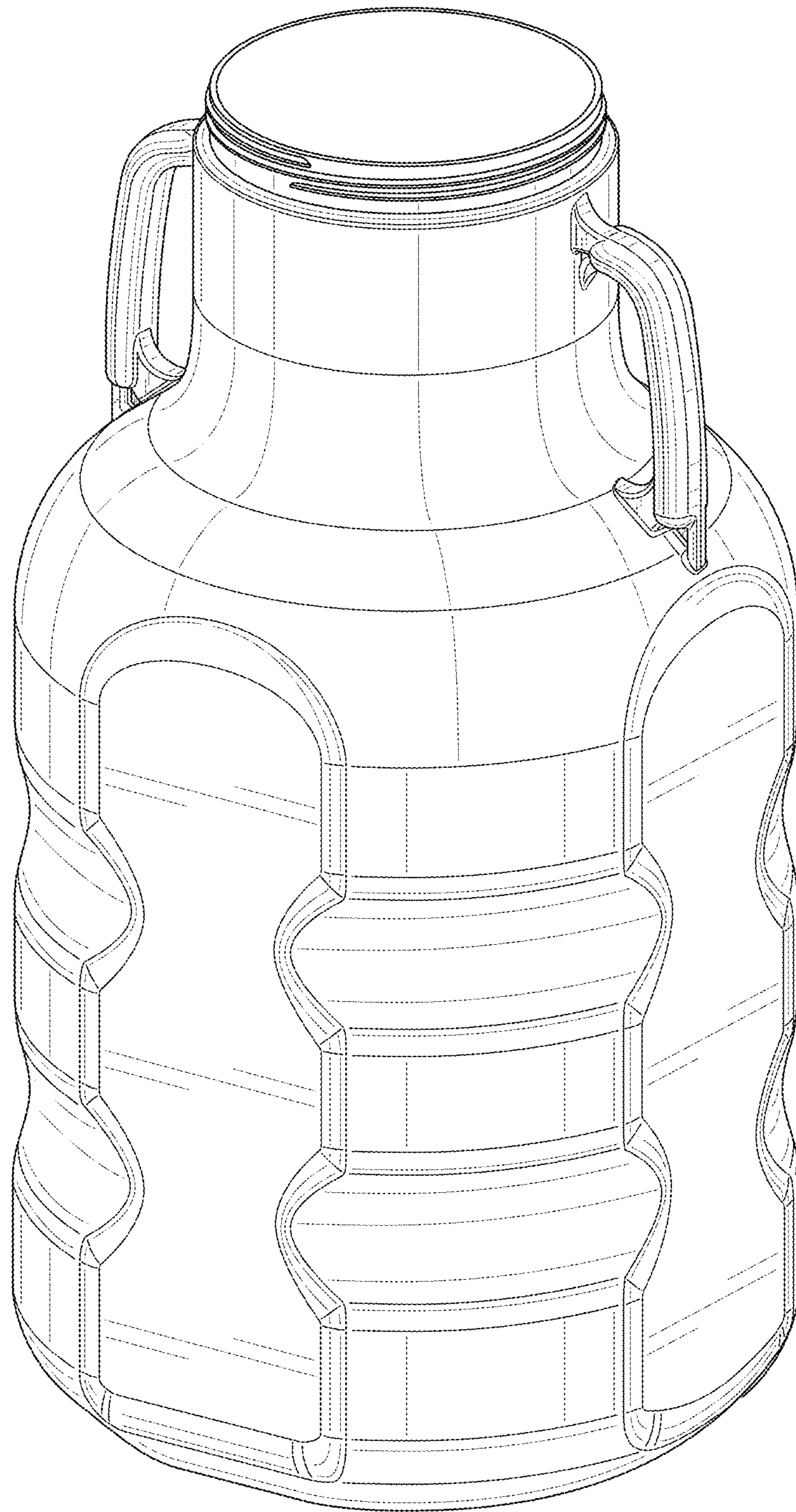


Fig. 1

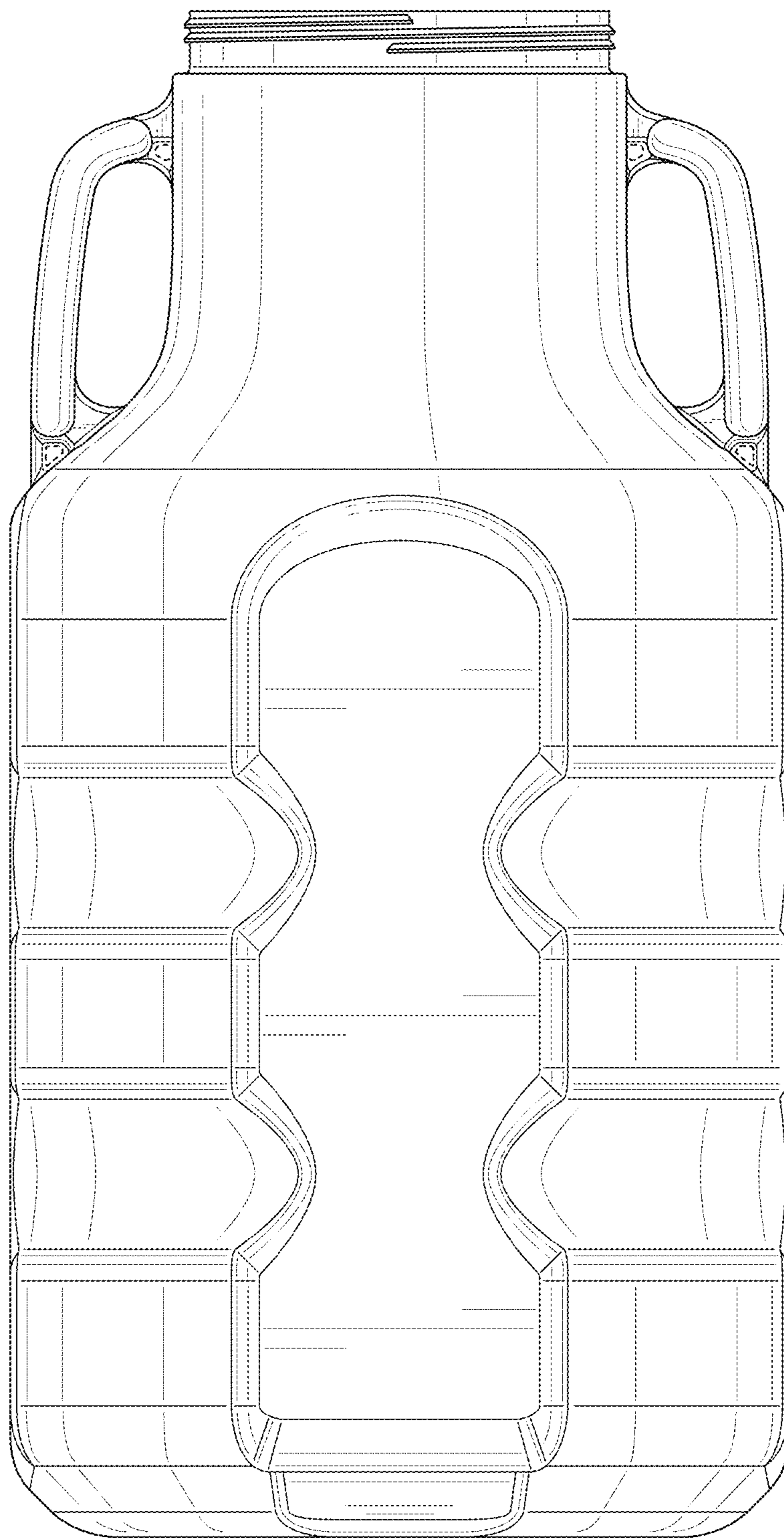


Fig. 2

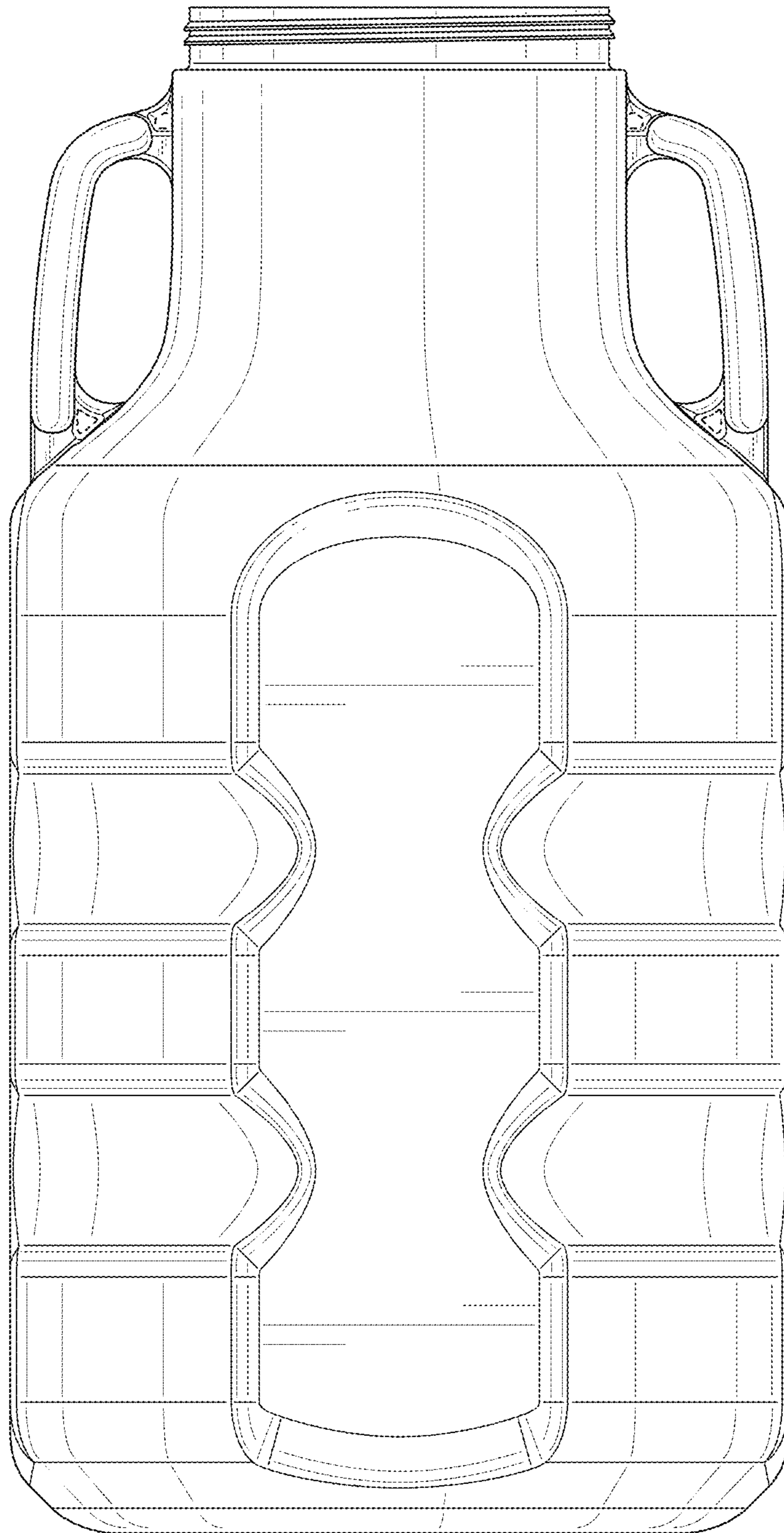


Fig. 3

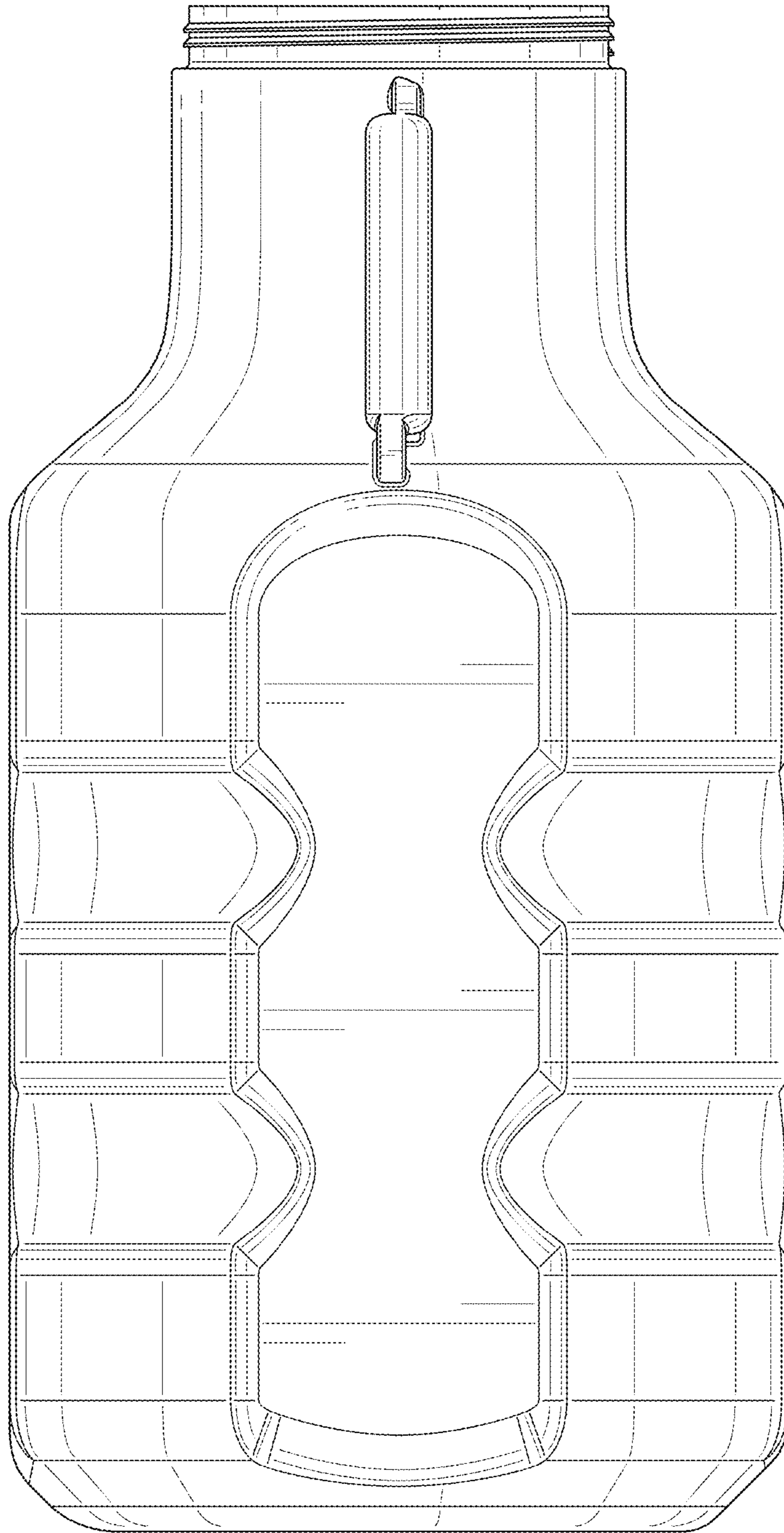


Fig. 4

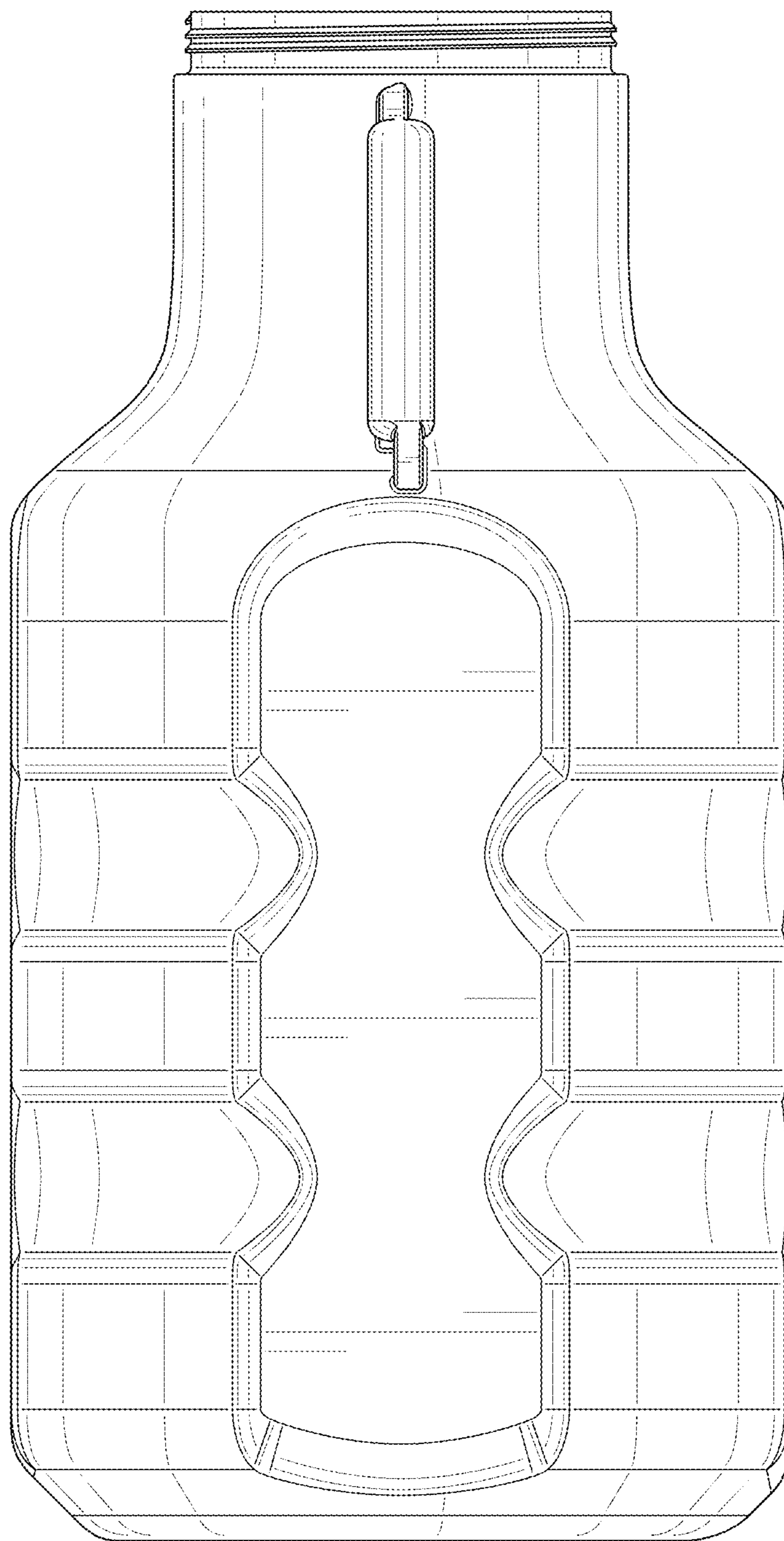


Fig. 5

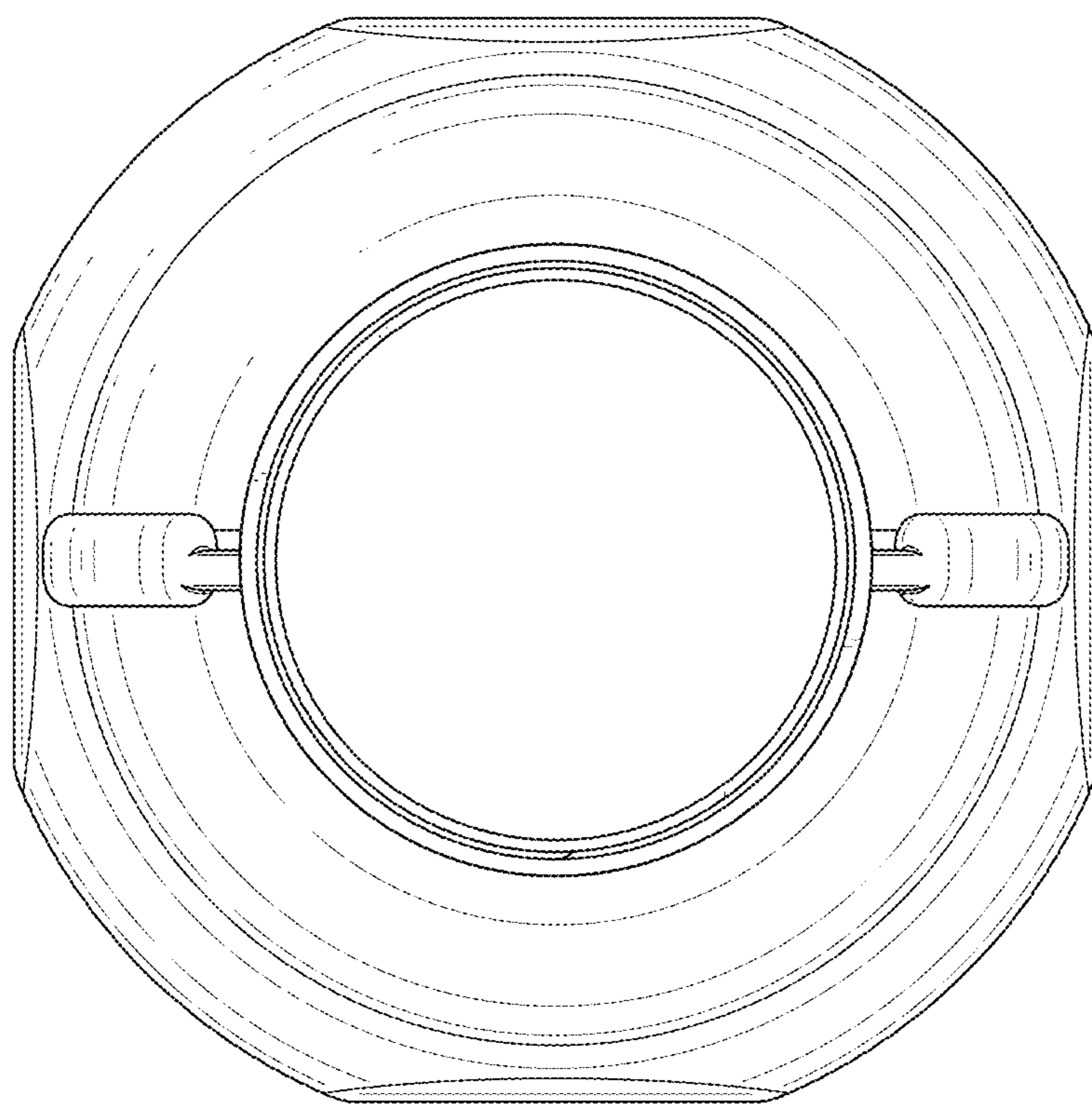


Fig. 6

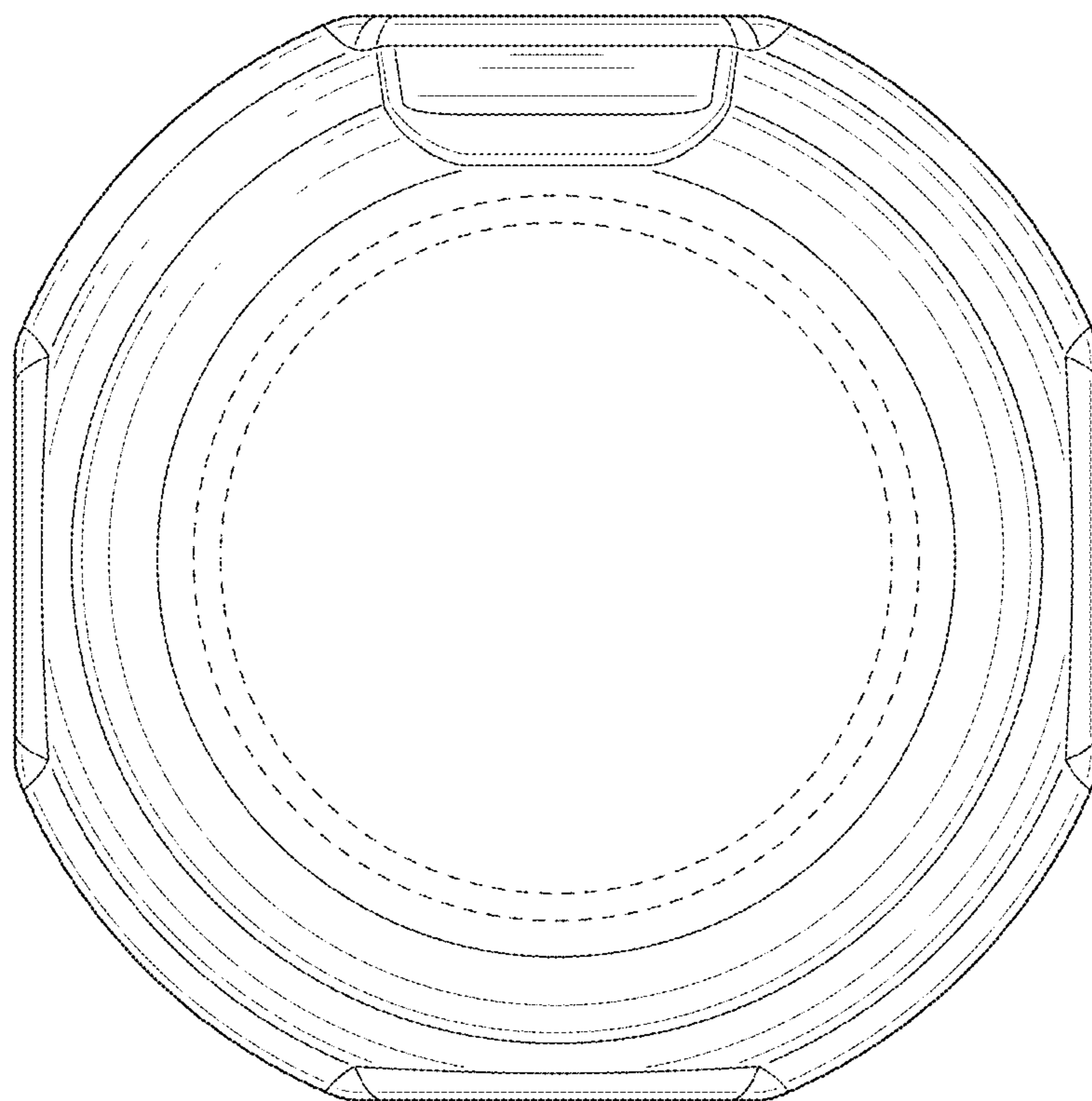


Fig. 7