



US00D791592S

(12) **United States Design Patent**  
**Behney**

(10) **Patent No.:** **US D791,592 S**  
(45) **Date of Patent:** **\*\* Jul. 11, 2017**

- (54) **DISPLAY CARD**
- (71) Applicant: **LA Gem & Jewelry Design, Inc.**, Los Angeles, CA (US)
- (72) Inventor: **Joseph Behney**, Los Angeles, CA (US)
- (73) Assignee: **L.A. Gem and Jewelry Design, Inc.**, Los Angeles, CA (US)
- (\*\*) Term: **15 Years**

D447,055	S	*	8/2001	Several	.....	D9/423
6,283,278	B1		9/2001	Holztrager		
6,471,053	B1		10/2002	Feibelman		
D537,712	S	*	3/2007	Dempsey	.....	D9/431
D545,188	S	*	6/2007	Billig	.....	D9/432
D641,794	S	*	7/2011	Yi	.....	D20/42
D641,795	S	*	7/2011	Gamboa	.....	D20/43
D652,083	S	*	1/2012	Yi	.....	D20/42
D660,701	S	*	5/2012	Cox	.....	D9/455
D668,545	S	*	10/2012	Cox	.....	D9/455
D699,107	S	*	2/2014	Streich	.....	D9/457

(Continued)

- (21) Appl. No.: **29/564,868**
- (22) Filed: **May 16, 2016**
- (51) **LOC (10) Cl.** ..... **09-03**
- (52) **U.S. Cl.**  
USPC ..... **D9/457**
- (58) **Field of Classification Search**  
USPC ..... D9/414-419, 421-425, 427, 429,  
D9/430-435, 455-457, 499; D20/40,  
D20/42-44  
CPC ..... B65D 71/00; B65D 5/503; B65D 5/36;  
B65D 5/20; A45C 11/04  
See application file for complete search history.

**OTHER PUBLICATIONS**

Amazon.com. Earring Card 2x2 Kraft Paper (Pack 100) Earring Jewelry Display. Dec. 25, 2012 [earliest online date], [site visited Feb. 2, 2017]. Available from Internet, <URL:https://www.amazon.com/Earring-Kraft-Paper-Jewelry-Display/dp/B0050A5DYE>.\*

(Continued)

*Primary Examiner* — Robert M Spear  
*Assistant Examiner* — Darcey E Heflin  
(74) *Attorney, Agent, or Firm* — Milord A. Keshishian

(56) **References Cited**

**U.S. PATENT DOCUMENTS**

3,128,984	A		4/1964	Palm		
4,099,611	A		7/1978	Feibelman		
D250,996	S	*	2/1979	Glaser	.....	D9/457
D264,820	S	*	6/1982	Feibelman	.....	D9/457
4,350,249	A		9/1982	Caston		
D268,251	S	*	3/1983	Savage	.....	D9/415
4,442,942	A		4/1984	Cuminale et al.		
4,739,878	A		4/1988	DiDomenico		
5,074,409	A		12/1991	Elkin et al.		
D371,072	S	*	6/1996	Baker	.....	D9/433
5,593,025	A		1/1997	Feibelman		
D388,468	S	*	12/1997	Rife	.....	D20/42
5,699,901	A		12/1997	Cohen		
6,244,431	B1		6/2001	VanFleet		

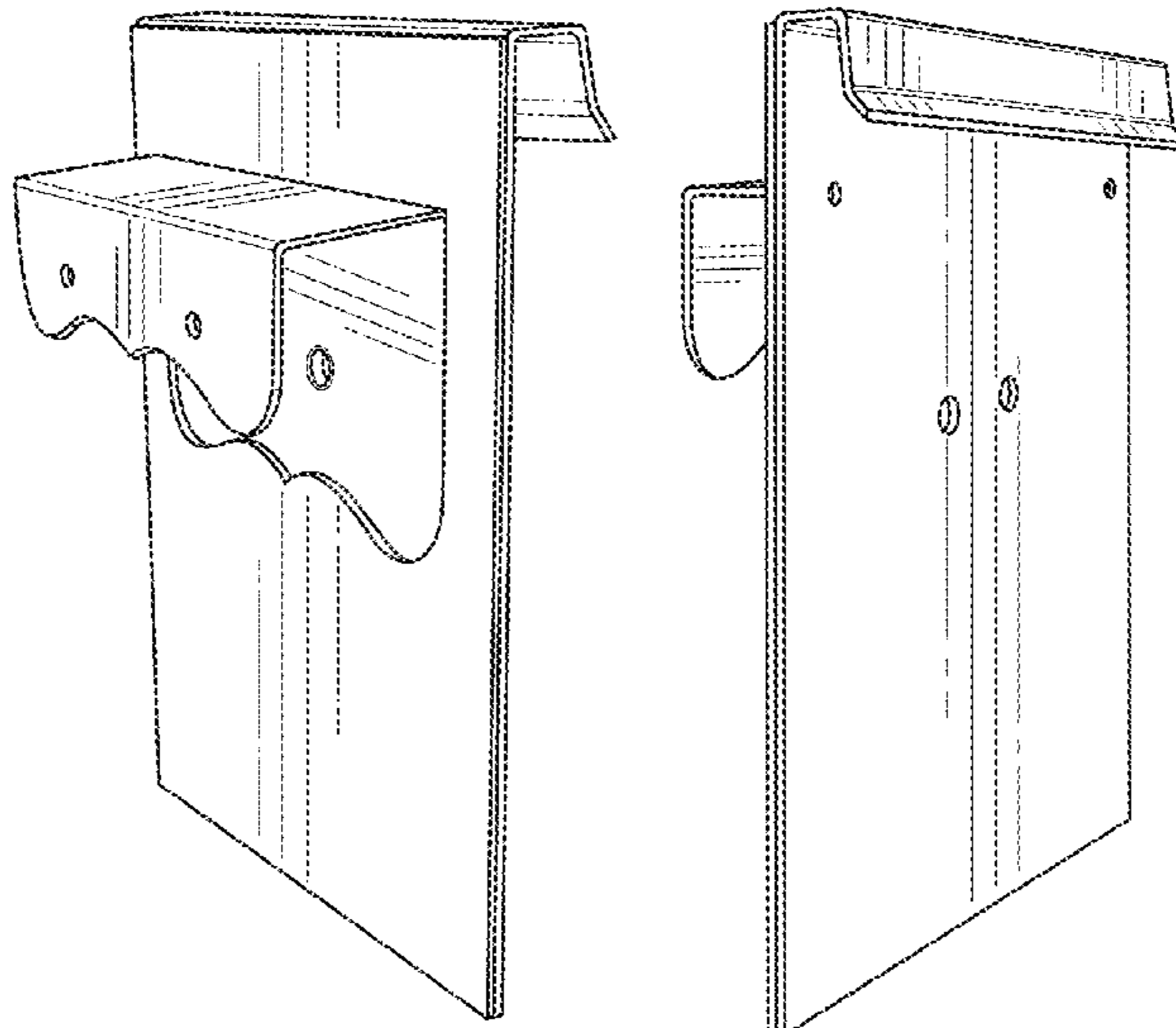
(57) **CLAIM**

The ornamental design for a display card, as shown and described.

**DESCRIPTION**

FIG. 1 is a front plan view of a display card showing my new design;  
FIG. 2 is a rear plan view thereof;  
FIG. 3 is right side view thereof;  
FIG. 4 is a left side view thereof;  
FIG. 5 is a top view thereof;  
FIG. 6 is a bottom view thereof;  
FIG. 7 is a front left perspective view thereof;  
FIG. 8 is a front right perspective view thereof; and,  
FIG. 9 is a rear left perspective view thereof.

**1 Claim, 5 Drawing Sheets**



(56)

**References Cited**

U.S. PATENT DOCUMENTS

D727,143 S \* 4/2015 Gomez ..... D14/251  
D729,318 S \* 5/2015 Maman ..... D20/42  
D776,527 S \* 1/2017 Ghini ..... D9/432

OTHER PUBLICATIONS

Fire Mountain Gems. Earring Display, Fristed acrylic, 2<sup>3</sup>/<sub>4</sub>×1-inch. 2008-2017 [earliest online date], [site visited Feb. 3, 2017]. Available from Internet, <URL:<http://www.firemountaingems.com/itemdetails/h201453pk>>.\*

Jewels Display. Black acrylic earring display stand made in China. 2012-2013 [earliest online date], [site visited Feb. 3, 2017]. Available from Internet, <URL:<http://www.jewelsdisplay.com/products/Black-acrylic-earring-display-stand-made-in-China.html#>

WJTFLE0zV1k>.\*

U.S. Appl. No. 62/261,472, filed Dec. 1, 2015, Gavin Kovacs.

\* cited by examiner

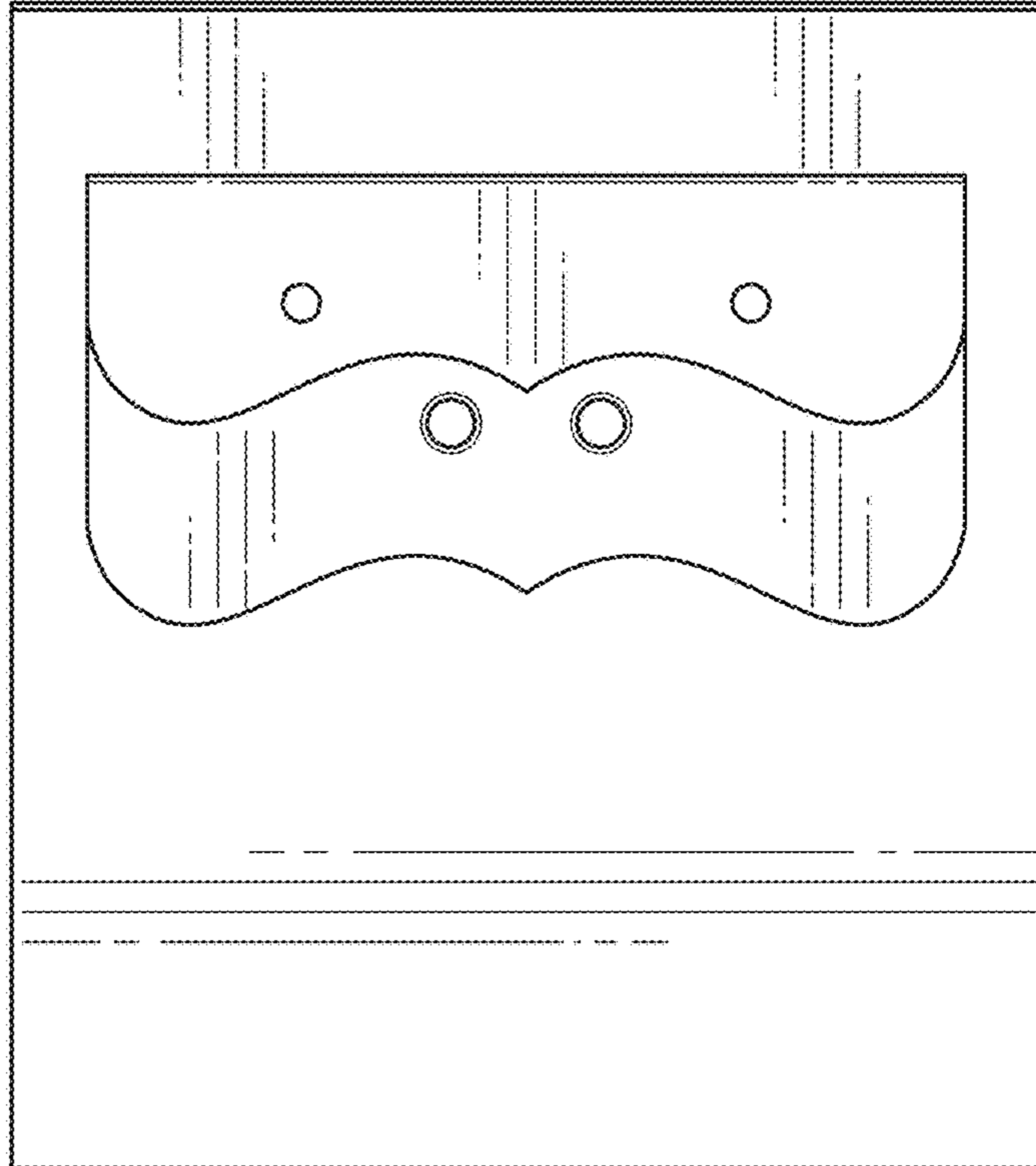


FIG. 1

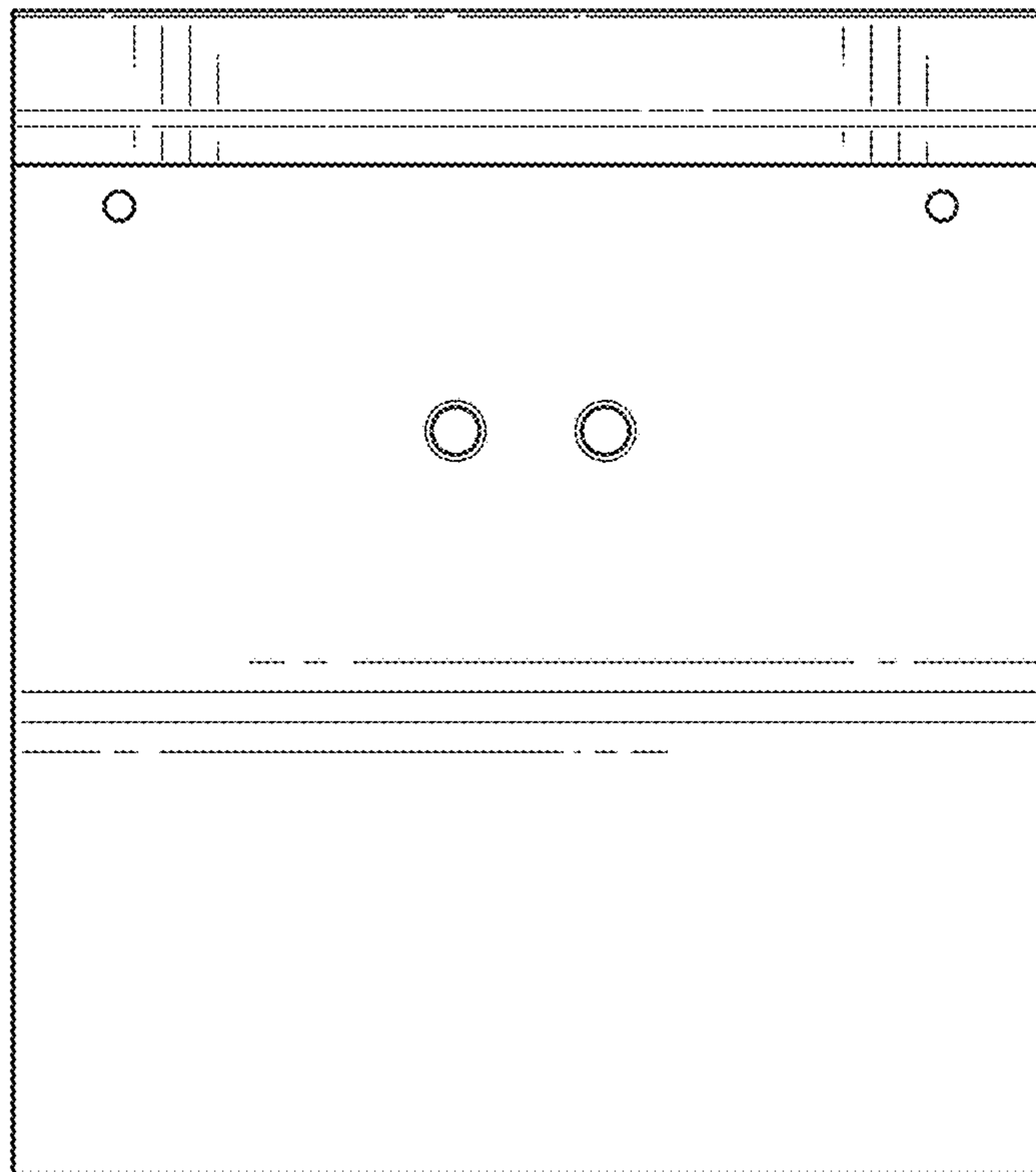


FIG. 2

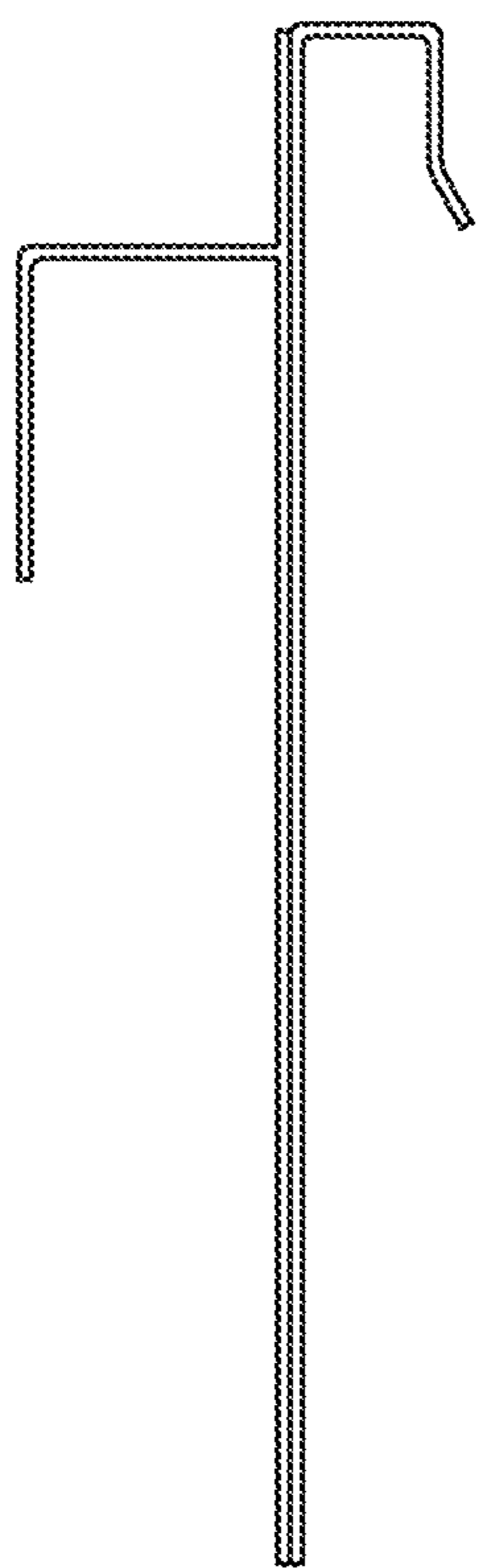


FIG. 3

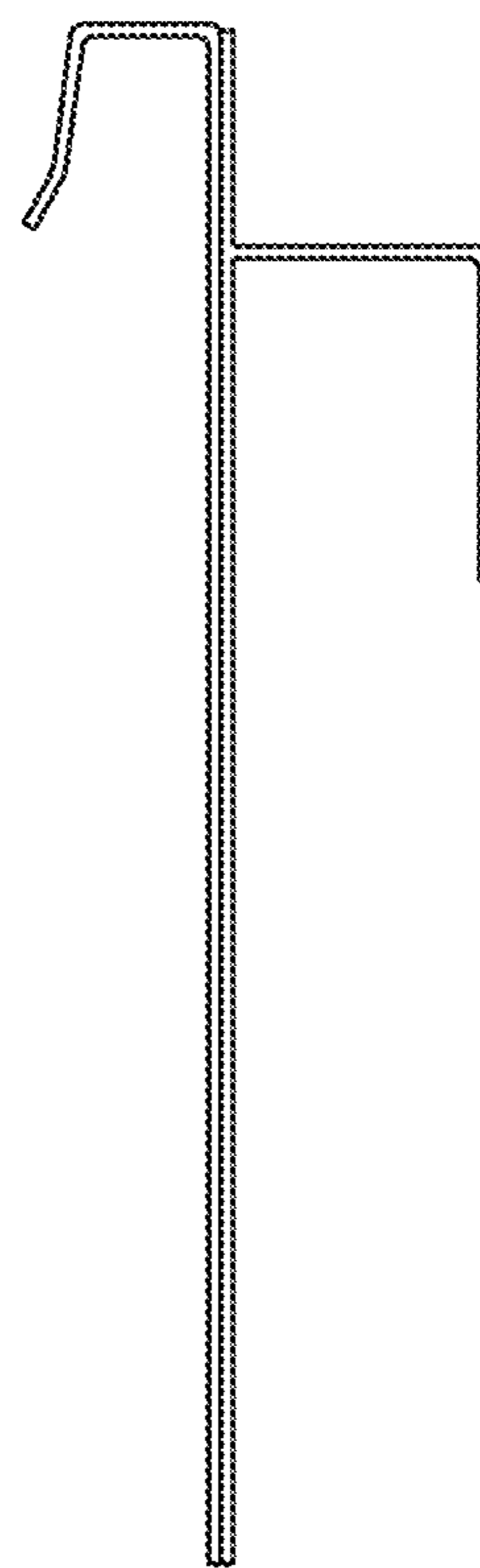


FIG. 4

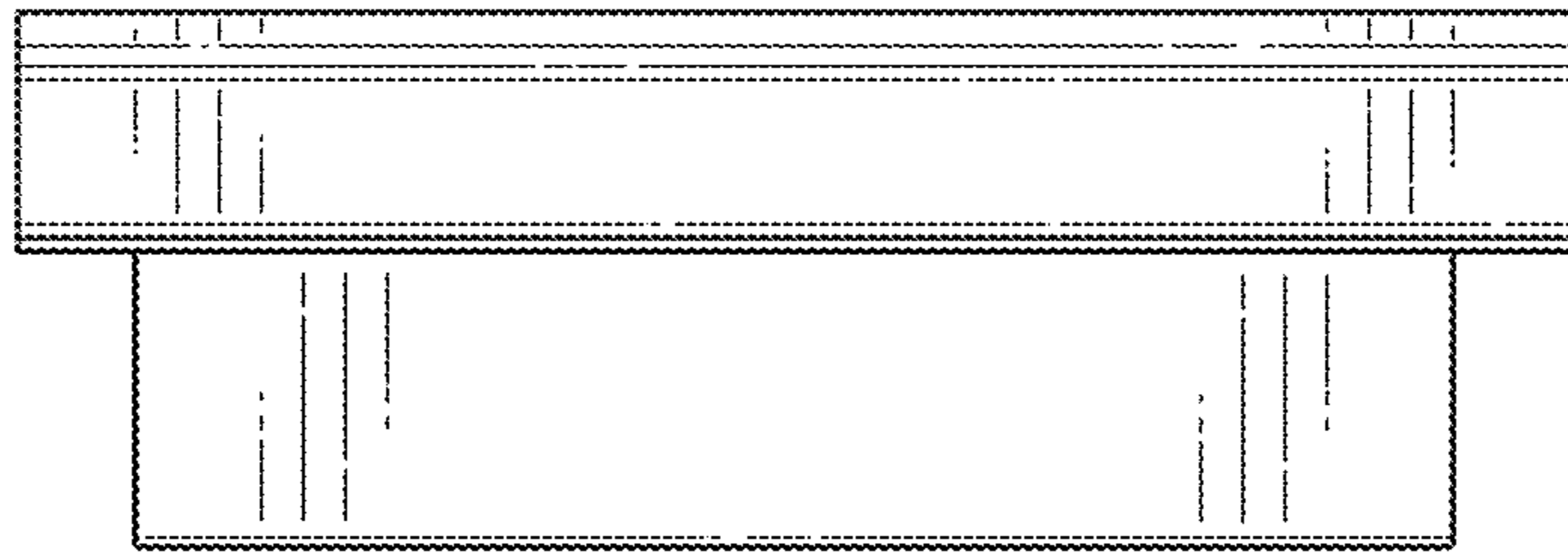


FIG. 5

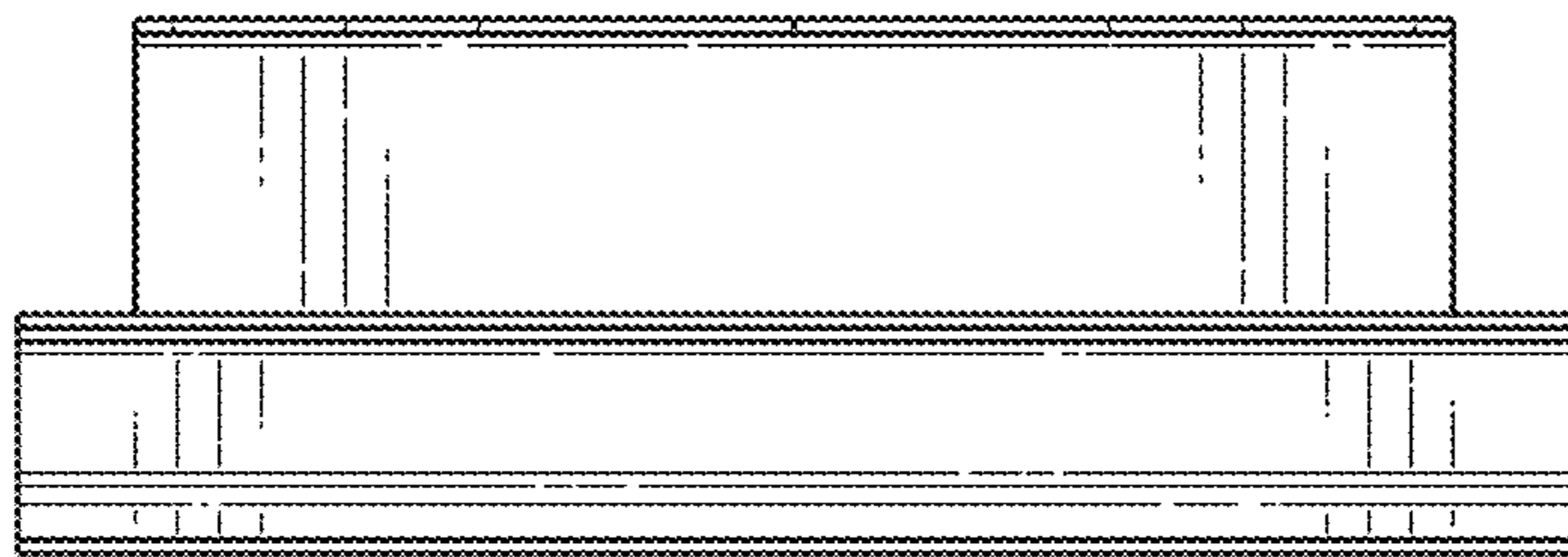


FIG. 6

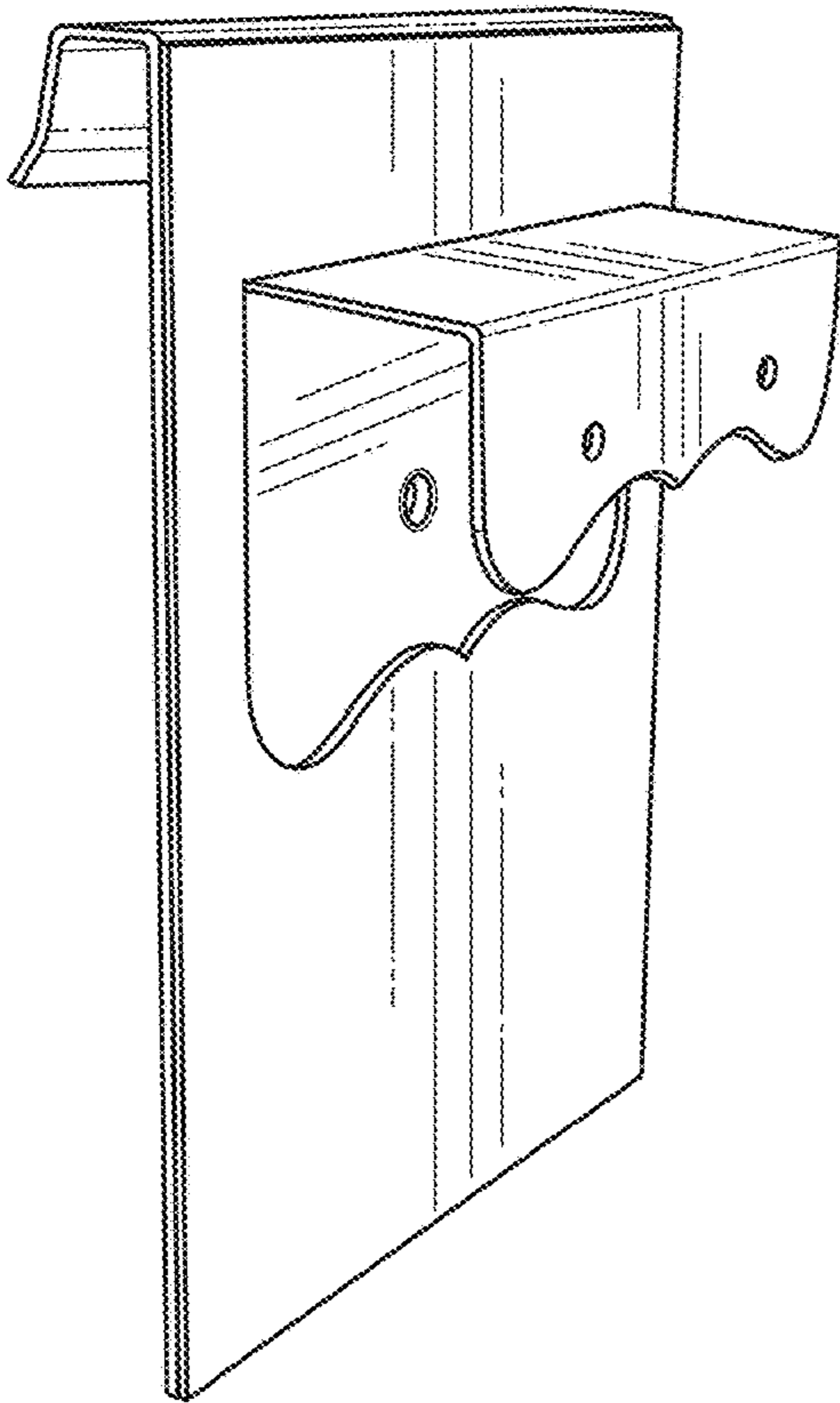


FIG. 7

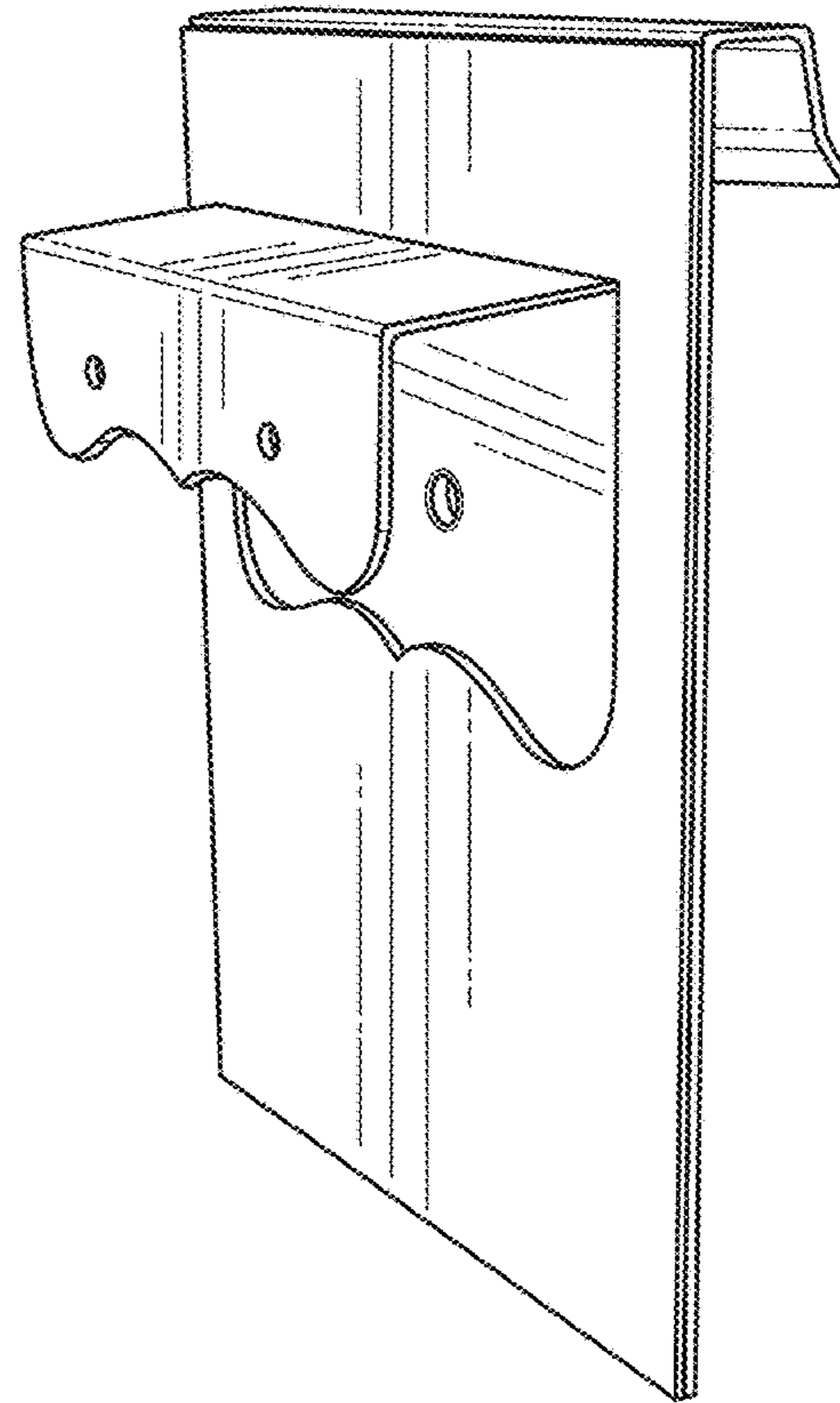


FIG. 8

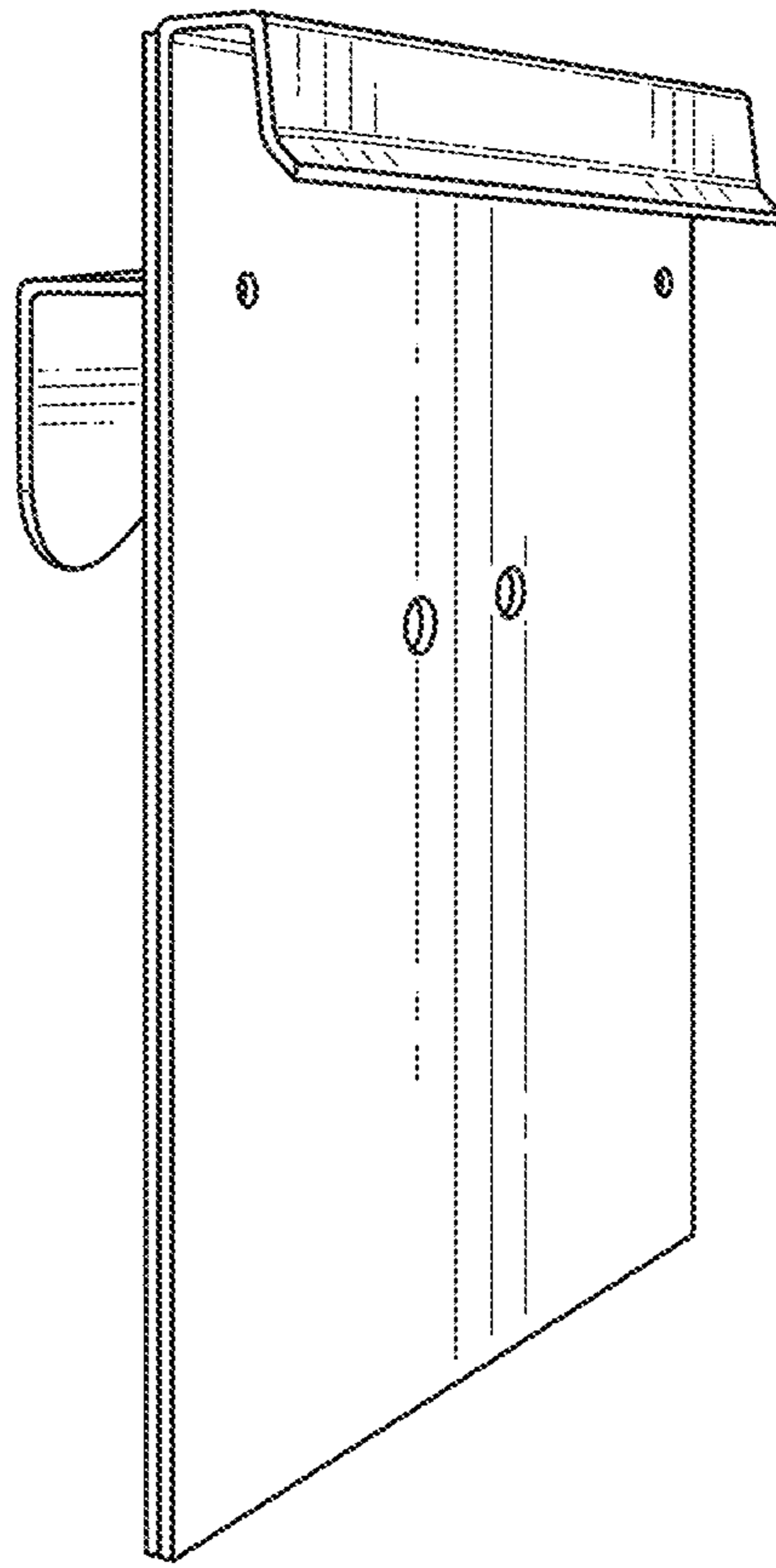


FIG. 9