



US00D791590S

(12) **United States Design Patent** (10) **Patent No.:** **US D791,590 S**
Jin (45) **Date of Patent:** **** Jul. 11, 2017**

(54) **CAP**
(71) Applicant: **Conopco, Inc.**, Englewood Cliffs, NJ (US)
(72) Inventor: **Jing Jin**, Shanghai (CN)
(73) Assignee: **Conopco, Inc.**, Englewood Cliffs, NJ (US)
(**) Term: **14 Years**
(21) Appl. No.: **29/497,826**
(22) Filed: **Jul. 29, 2014**

(30) **Foreign Application Priority Data**
Feb. 19, 2014 (EM) 002407676-0001
(51) **LOC (10) Cl.** **09-07**
(52) **U.S. Cl.**
USPC **D9/449**; D9/435; D9/447
(58) **Field of Classification Search**
USPC D3/201, 202, 203.1; D7/509-511, 300, D7/300.1, 316, 317, 387, 391, 392.1, 392, D7/393, 396.2, 525-531, 538, 541, 549, D7/629, 703, 900; D9/417, 434, 435, D9/436, 440, 447, 448, 454, 520, 529, D9/572, 724, 725, 730, 745, 906, 439, D9/443, 446, 449, 450, 452, 453, D9/502-504, 516, 574, 686, 688, 690; D24/121, 182, 194, 197, 199, 224; 215/226, 228, 379, 381, 382, 385, 386, 215/390, 392, 687; 206/210, 223, 232, 206/387.11, 439, 457, 459.1, 495.5; 220/660, 662, 669
CPC A45D 34/00; A45D 34/042; A45D 40/22; A45D 2040/0006; A45D 2040/0093; A47G 19/22; A47G 19/2205; A47G 19/2255; A47G 19/2266; A62C 31/02; B65D 1/02; B65D 1/0223; B65D 1/08; B65D 1/10; B65D 23/00; B65D 23/08; B65D 25/00; B65D 25/40; B65D 25/42;

B65D 25/46; B65D 25/48; B65D 25/77; B65D 39/00; B65D 39/0047; B65D 41/00; B65D 43/02; B65D 51/02; B65D 51/04; B05B 17/00; B05B 15/002
See application file for complete search history.

(56) **References Cited**
U.S. PATENT DOCUMENTS
D317,869 S 7/1991 Smith
D352,663 S 11/1994 Suxdorf
D401,507 S 11/1998 Gonda
D403,242 S 12/1998 Edwards
D465,685 S * 11/2002 Dellerman D9/435
D486,398 S 2/2004 Lovell et al.
(Continued)

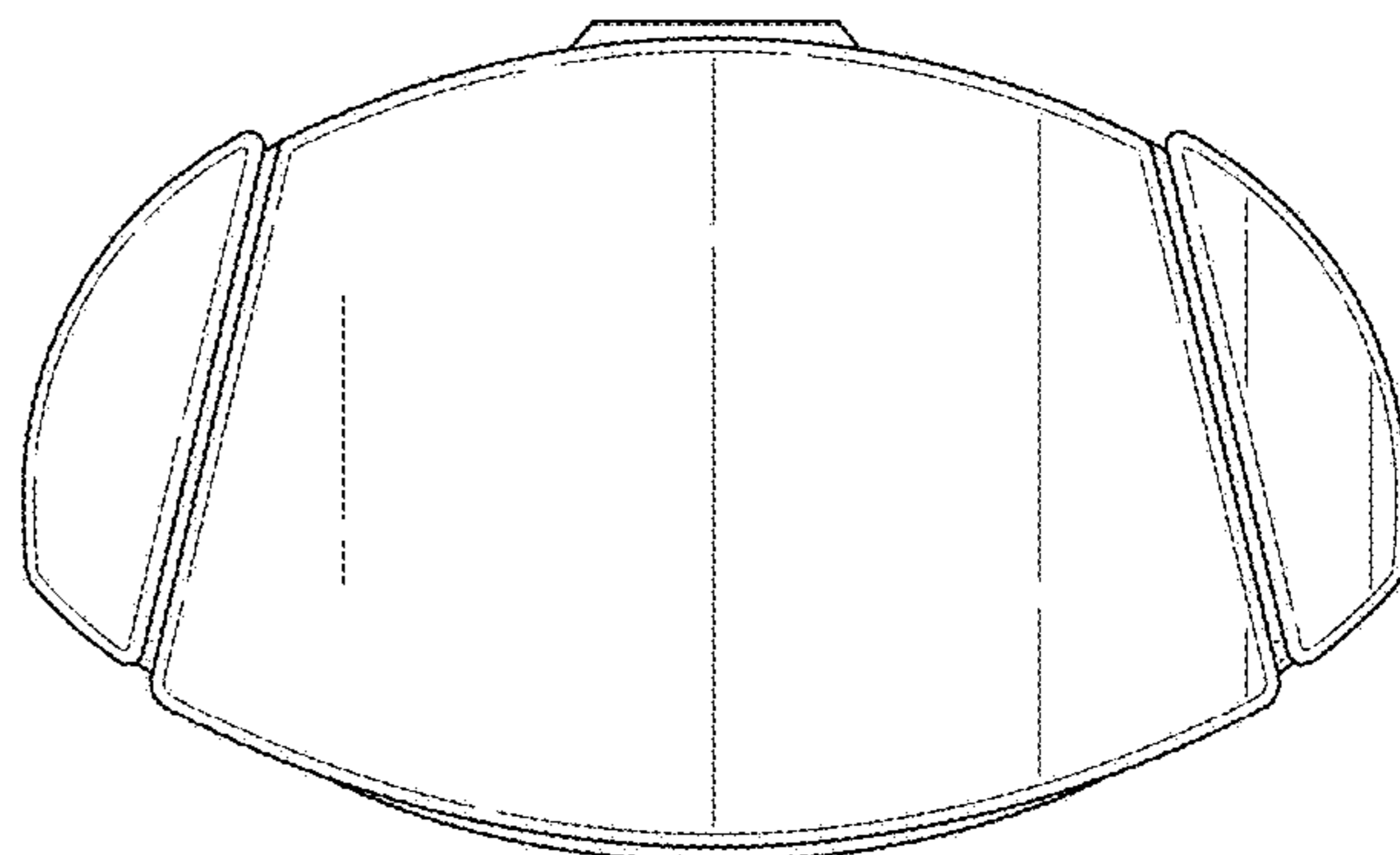
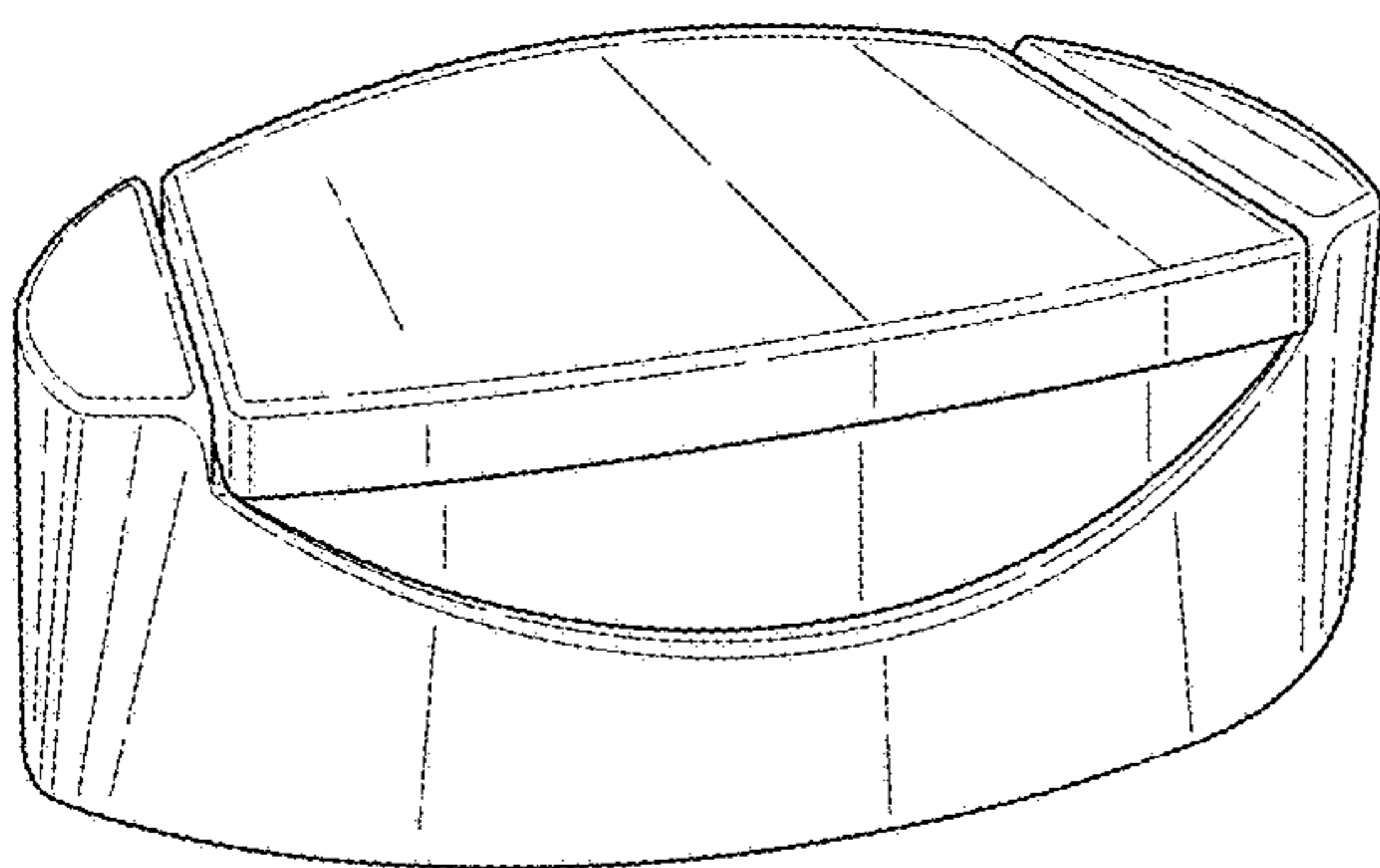
OTHER PUBLICATIONS
Co-pending Application: Applicant: Jin; Filed: Jul. 28, 2014.
(Continued)

Primary Examiner — Thomas Johannes
Assistant Examiner — Catherine Posthauer
(74) *Attorney, Agent, or Firm* — Karen E. Klumas

(57) **CLAIM**
The ornamental design for a cap, as shown and described.

DESCRIPTION
FIG. 1 is a top front and side perspective view of a cap;
FIG. 2 is a front elevation view thereof;
FIG. 3 is a rear elevation view thereof;
FIG. 4 is a side elevation view thereof;
FIG. 5 is another side elevation view thereof;
FIG. 6 is a top plan view thereof; and,
FIG. 7 is bottom plan view thereof.
The broken lines are shown for the purpose of illustrating parts of the cap that form no part of the claimed design.

1 Claim, 7 Drawing Sheets



(56)

References Cited

U.S. PATENT DOCUMENTS

D525,873 S 8/2006 Haubert
 D526,568 S 8/2006 Bakic
 D529,812 S 10/2006 Ratzlaff
 D534,426 S * 1/2007 Bakic D9/435
 D545,682 S 7/2007 Mongeon
 D561,045 S 2/2008 Lee
 D582,766 S * 12/2008 Gatrost D9/435
 D588,913 S * 3/2009 Bakic D9/435
 D594,747 S * 6/2009 Moretti D9/435
 D595,131 S * 6/2009 Dibnah D9/436
 D601,425 S 10/2009 Miller et al.
 D625,189 S * 10/2010 Dias D9/449
 D635,023 S * 3/2011 Stolle D9/447
 D641,627 S * 7/2011 Rosenauer D9/435
 D641,633 S 7/2011 Carnduff et al.
 D646,170 S 10/2011 Carnduff et al.
 D651,899 S * 1/2012 Frias D9/435
 D652,306 S 1/2012 Drake et al.
 D661,582 S * 6/2012 Gatrost D9/447

D661,991 S 6/2012 Brummelhuis
 D672,654 S * 12/2012 Jackel D9/443
 D686,495 S * 7/2013 Murray D9/435
 D711,231 S * 8/2014 Pun D9/449
 D715,645 S * 10/2014 Bergbohm D9/435
 D726,541 S 4/2015 Xu
 D727,723 S * 4/2015 Pipes D9/428
 D727,724 S * 4/2015 Pipes D9/428
 D729,062 S * 5/2015 Julius D9/435
 9,090,386 B2 * 7/2015 van Alfen B65D 47/0804
 2005/0173366 A1 * 8/2005 Baudin B65D 47/0814
 215/235

OTHER PUBLICATIONS

Co-pending Application: Applicant: Jin; Filed: Jul. 29, 2014; U.S. Appl. No. 29/497,802.

Co-pending Application: Applicant: Jin; Filed: Jul. 29, 2014; U.S. Appl. No. 29/497,806.

* cited by examiner

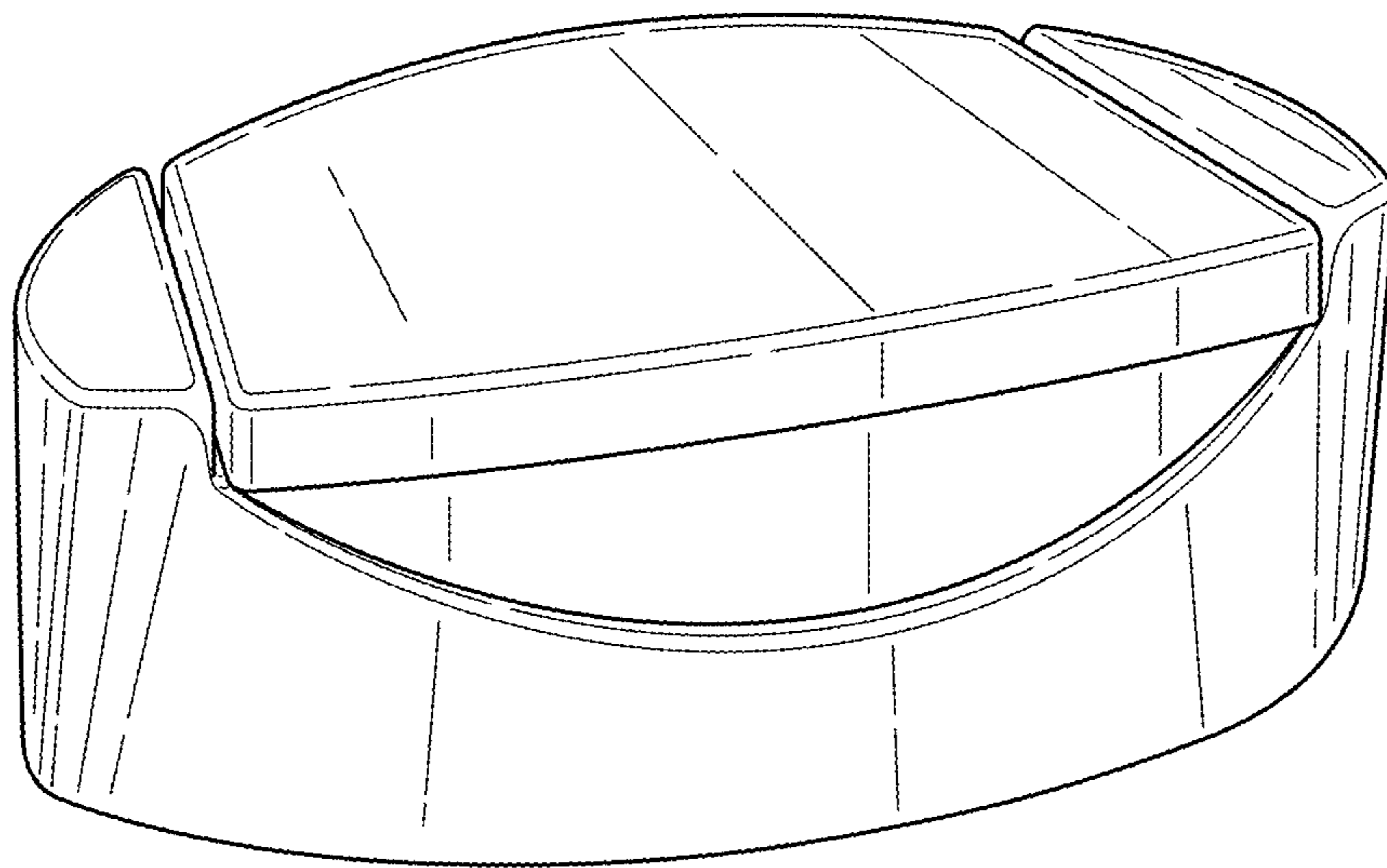


Fig. 1

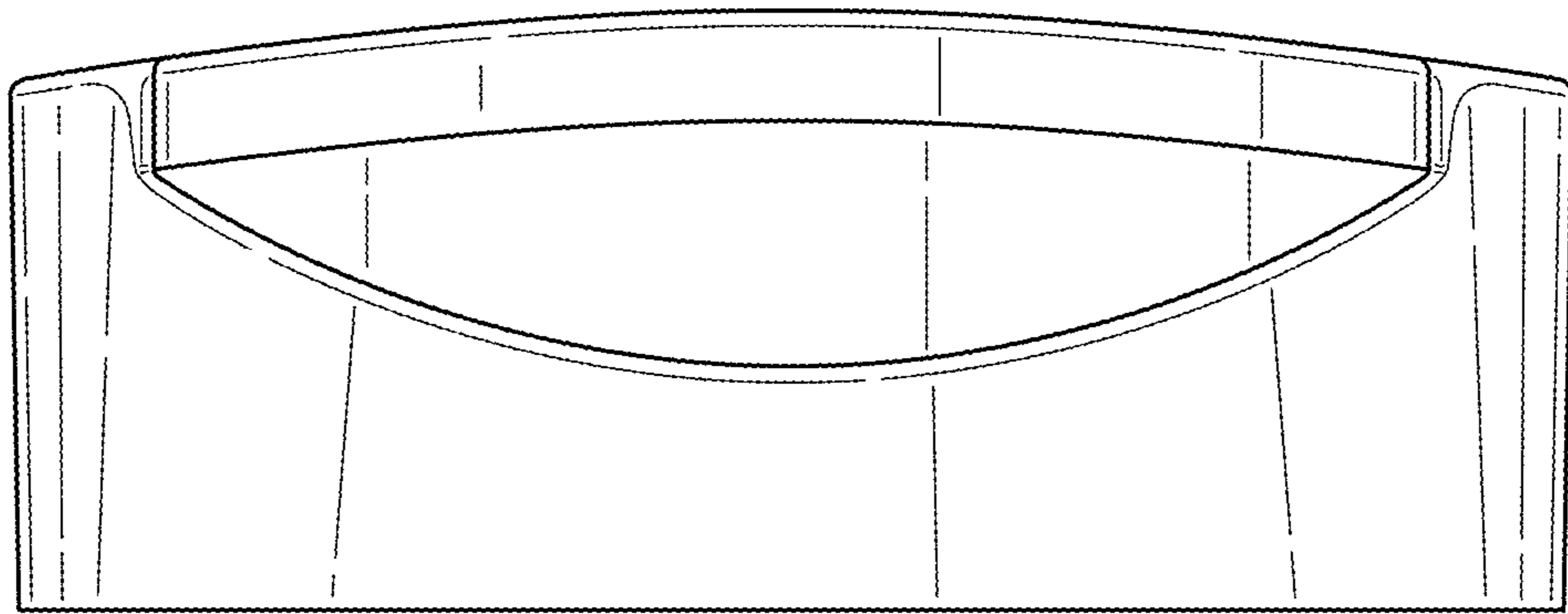


Fig. 2

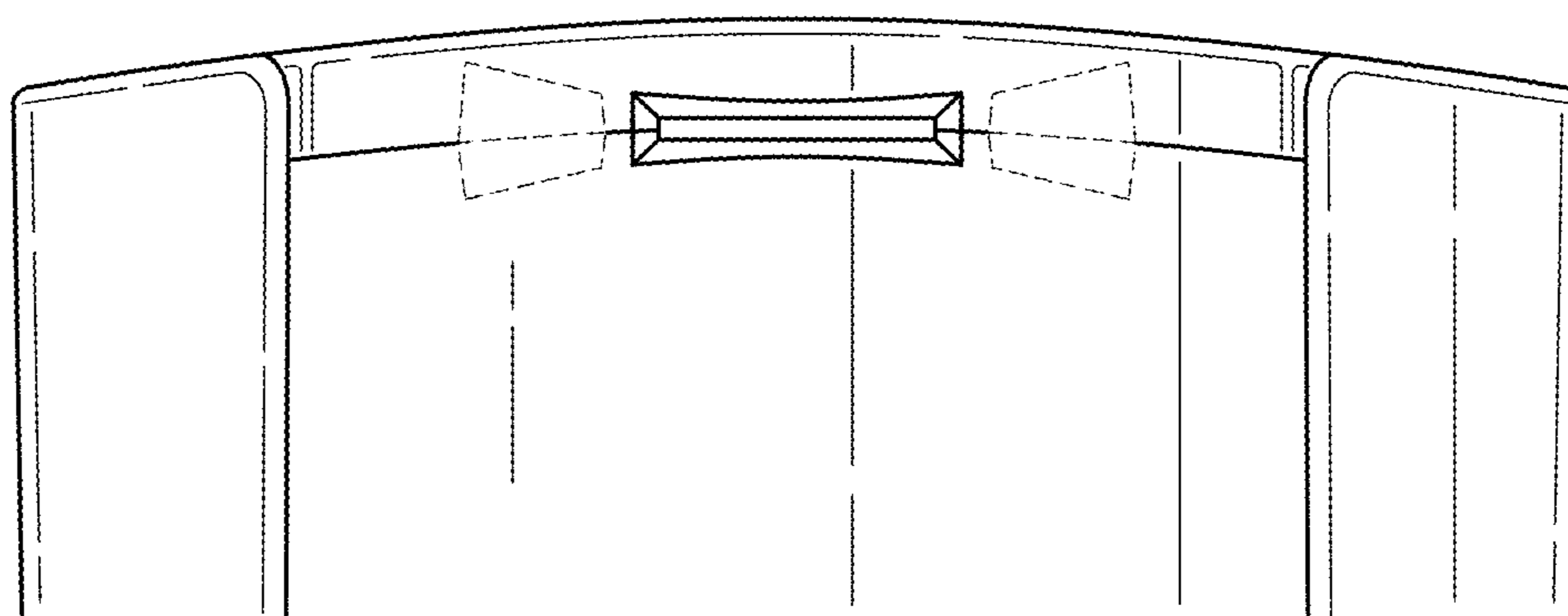


Fig. 3

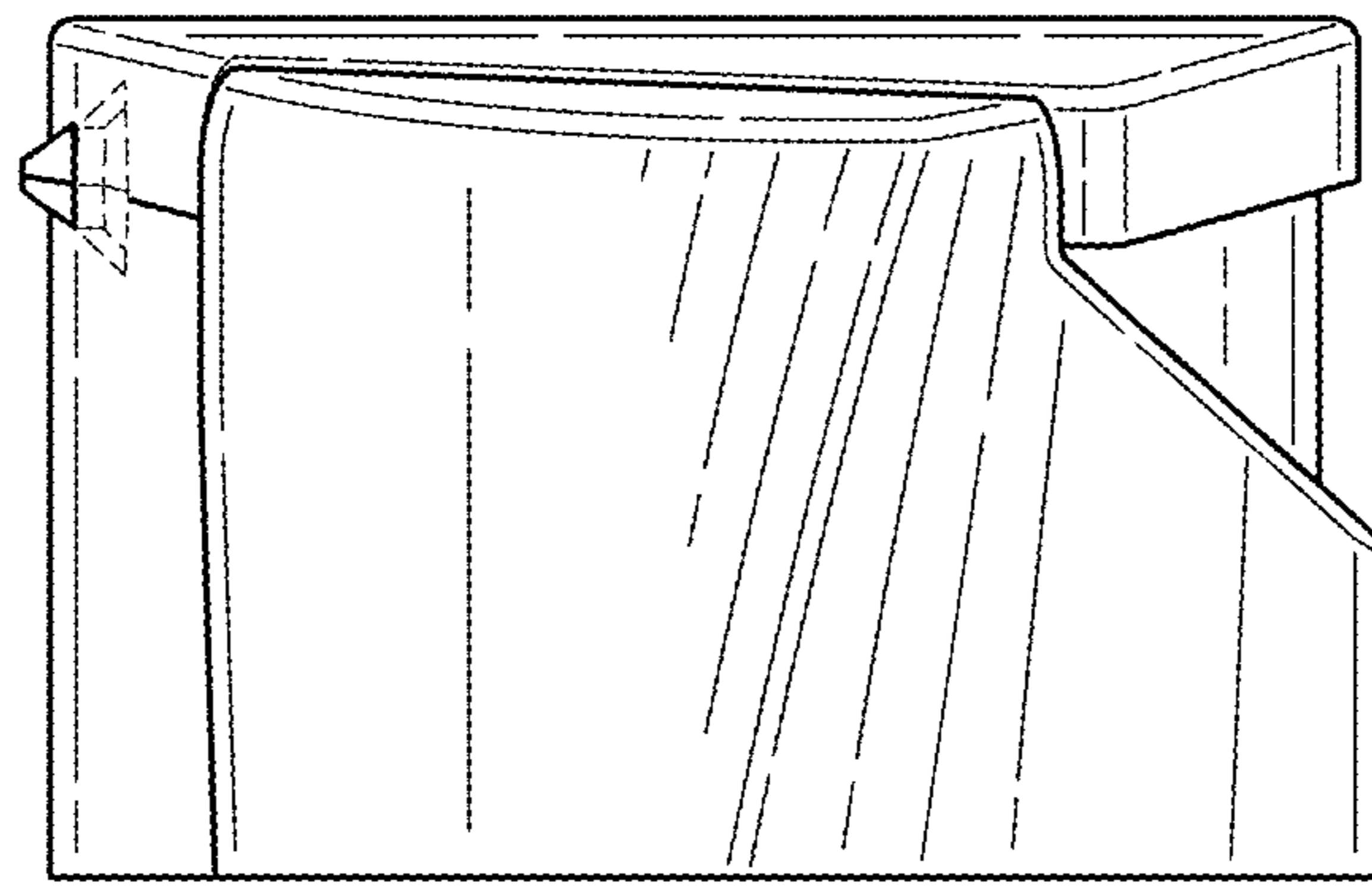


Fig. 4

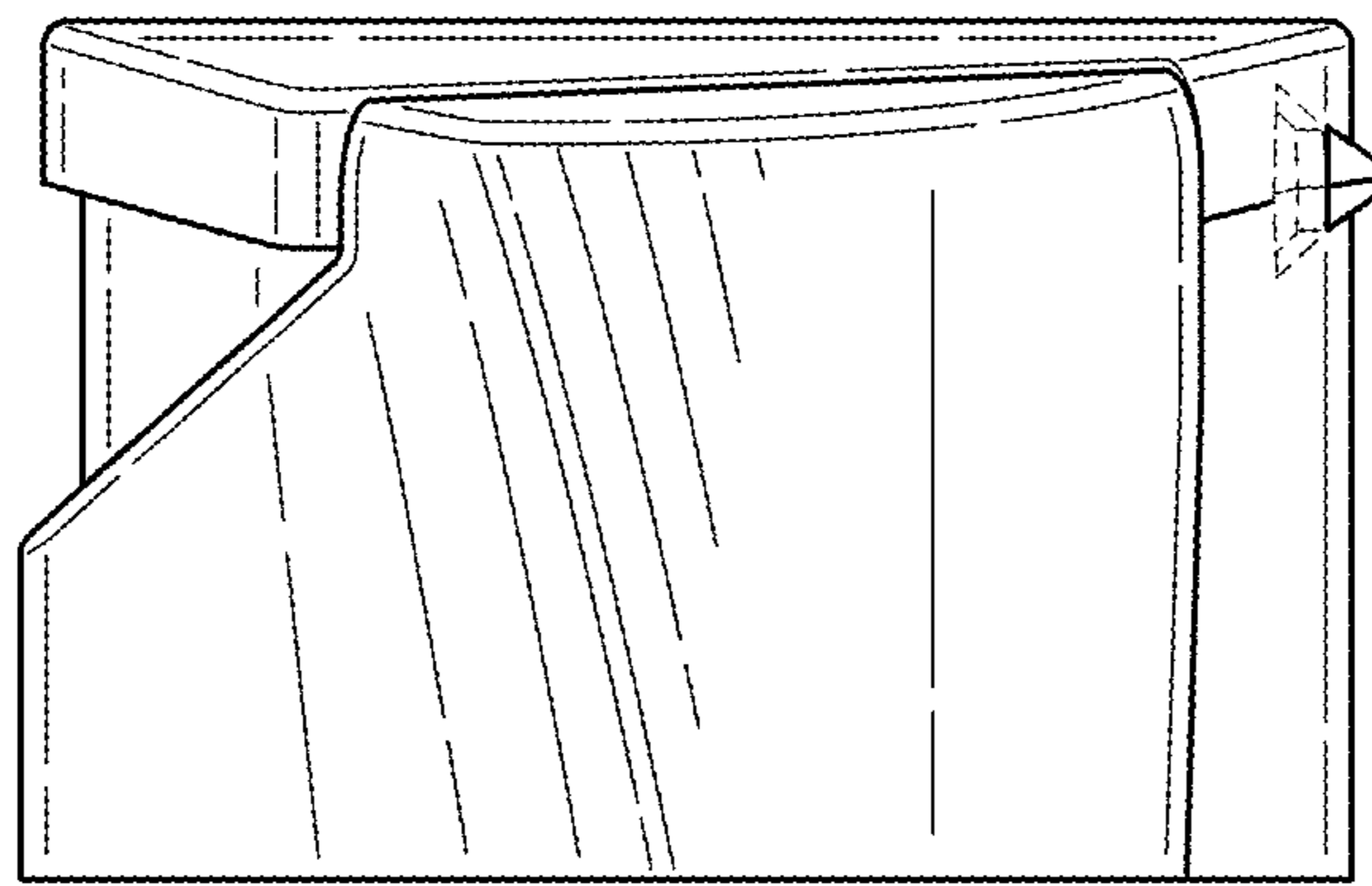


Fig. 5

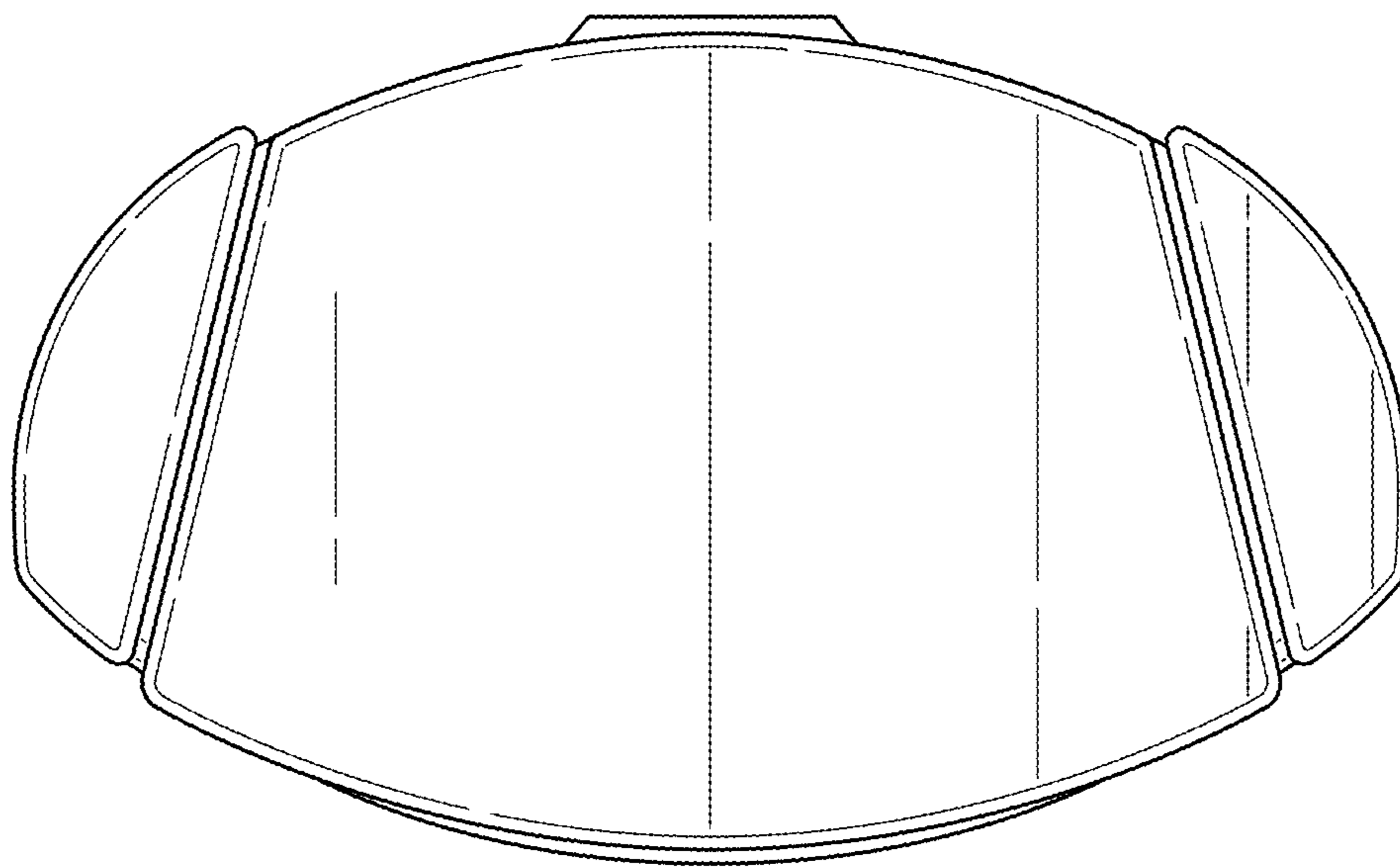


Fig. 6

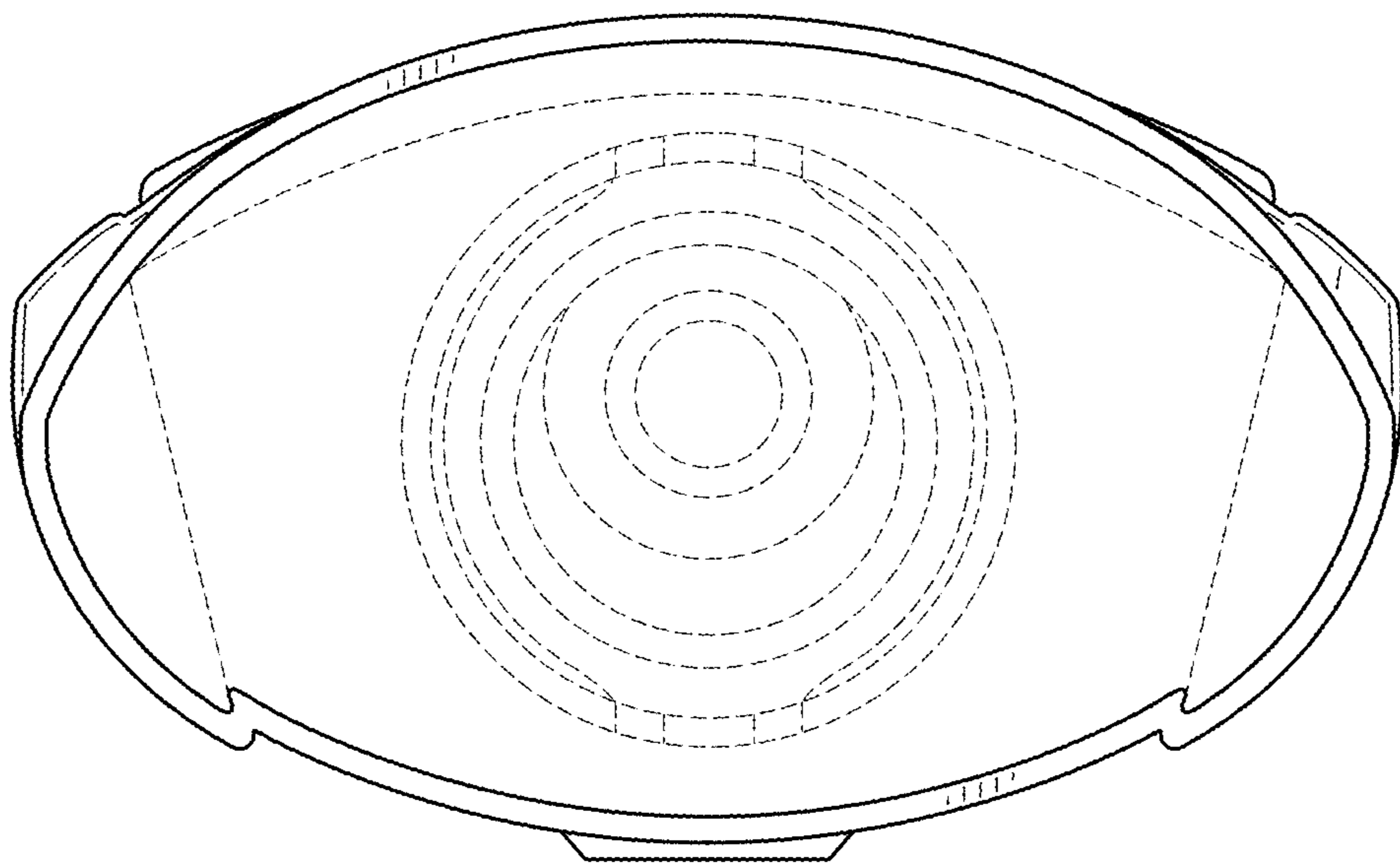


Fig. 7