



US00D791589S

(12) **United States Design Patent**
Remash

(10) **Patent No.:** **US D791,589 S**

(45) **Date of Patent:** **** Jul. 11, 2017**

(54) **NUTRITIONAL SUPPLEMENT PACKAGE**

(71) Applicant: **Vertical Pharmaceuticals, LLC**,
Sayreville, NJ (US)

(72) Inventor: **Palmina Remash**, Sayreville, NJ (US)

(73) Assignee: **VERTICAL PHARMACEUTICALS, LLC**, Sayreville, NJ (US)

(**) Term: **15 Years**

(21) Appl. No.: **29/558,139**

(22) Filed: **Mar. 15, 2016**

(51) **LOC (10) Cl.** **09-03**

(52) **U.S. Cl.**
USPC **D9/432; D9/433**

(58) **Field of Classification Search**
USPC D9/414–434, 442–445, 456, 457, 542,
D9/563, 600, 614–624, 655, 657, 658,
D9/661, 695, 697–699, 707, 708, 711,
D9/759, 772–776; D3/273, 276, 304,
D3/310–313; D7/601, 602
CPC B65D 5/00; B65D 5/001; B65D 5/0015;
B65D 5/1209; B65D 5/0227–5/0254;
B65D 5/18

See application file for complete search history.

(56) **References Cited**

U.S. PATENT DOCUMENTS

D388,951 S *	1/1998	Mori	D3/201
D397,869 S *	9/1998	Minhas	D3/274
D444,703 S *	7/2001	Allasia	D9/423
D573,458 S *	7/2008	Anderson	D9/418
D583,660 S *	12/2008	Steiger	D9/432
D587,996 S *	3/2009	Steiger	D9/432
D613,153 S *	4/2010	Russell	D9/423
D613,171 S *	4/2010	Sempe	D9/517

D629,296 S *	12/2010	De Muynck	D9/423
D643,283 S *	8/2011	Witte	D9/416
D644,437 S *	9/2011	Lintula	D3/294
D645,739 S *	9/2011	Ross	D9/432
D652,294 S *	1/2012	Seneca	D9/418
D696,107 S *	12/2013	Kimble	D9/416
D709,364 S *	7/2014	Olsson	D9/432
9,180,997 B2 *	11/2015	Melistas	B65D 5/48018
D744,829 S *	12/2015	Deering	D9/432
D758,851 S *	6/2016	Binder	D9/432
D766,713 S *	9/2016	Kiss	D9/421
2006/0243785 A1 *	11/2006	Wang	B65D 5/18 229/122

* cited by examiner

Primary Examiner — Vy Koenig

Assistant Examiner — Omeed Agilee

(74) *Attorney, Agent, or Firm* — Maldjian Law Group
LLC

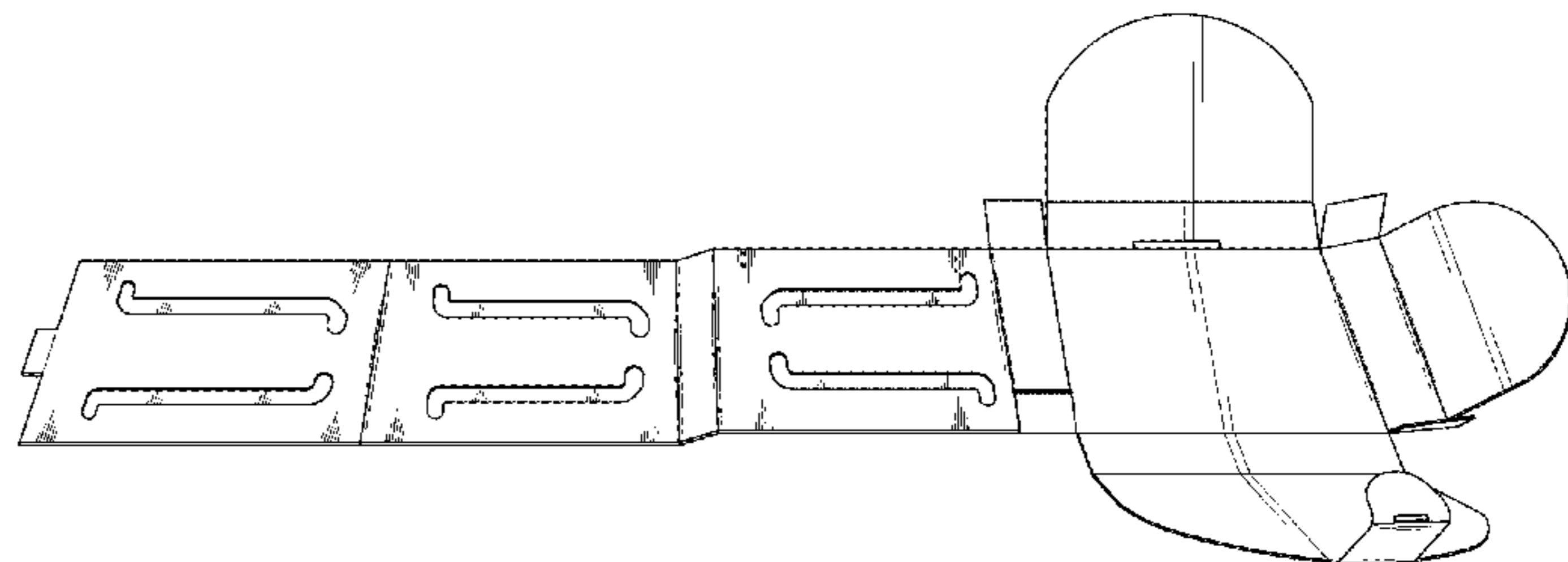
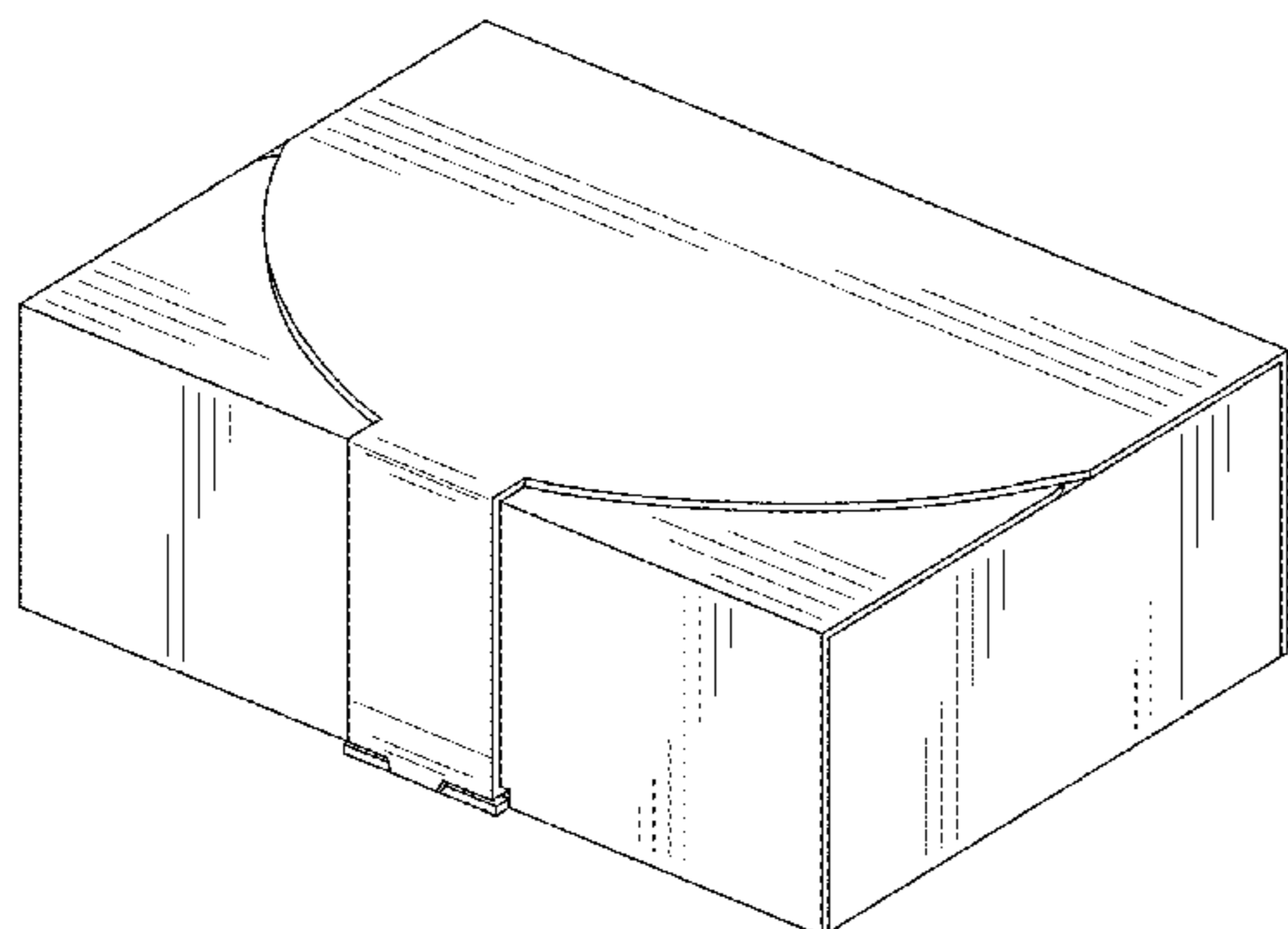
(57) **CLAIM**

The ornamental design for a nutritional supplement package,
as shown and described.

DESCRIPTION

FIG. 1 is a front, left and top perspective view of a
nutritional supplement package in a folded and fully
assembled configuration, showing my new design;
FIG. 2 is a front side elevational view thereof;
FIG. 3 is a rear side elevational view thereof;
FIG. 4 is a left side elevational view thereof;
FIG. 5 is right side elevational view thereof;
FIG. 6 is a top plan view thereof;
FIG. 7 is a bottom plan view thereof;
FIG. 8 is a top and right perspective view of the nutritional
supplement package in an unfolded configuration; and,
FIG. 9 is a bottom and left perspective view thereof.

1 Claim, 9 Drawing Sheets



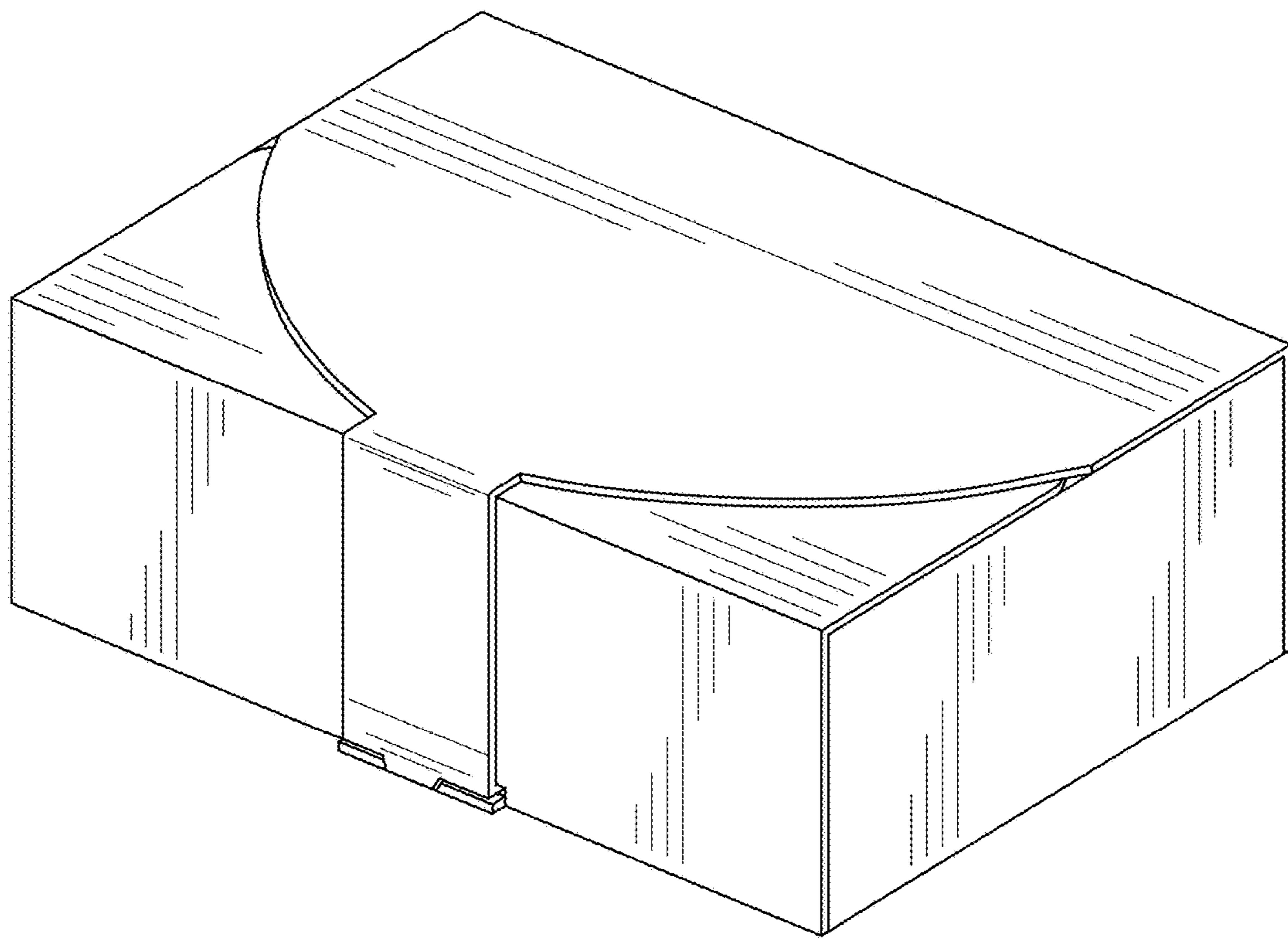


FIG. 1

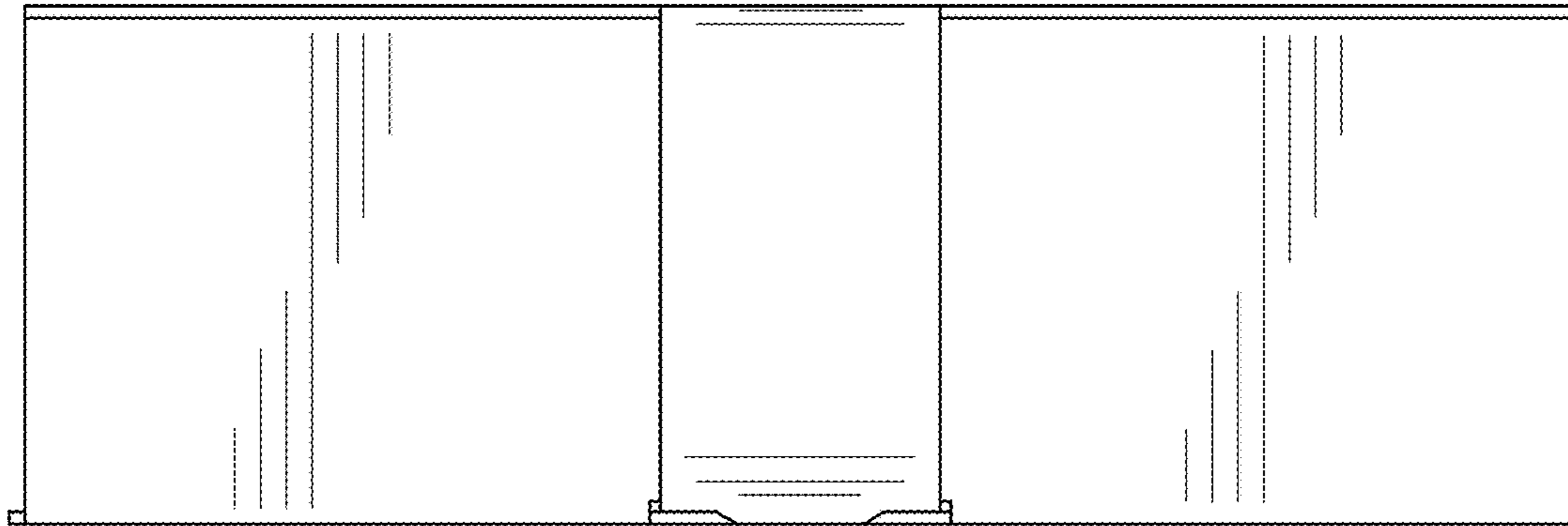


FIG. 2

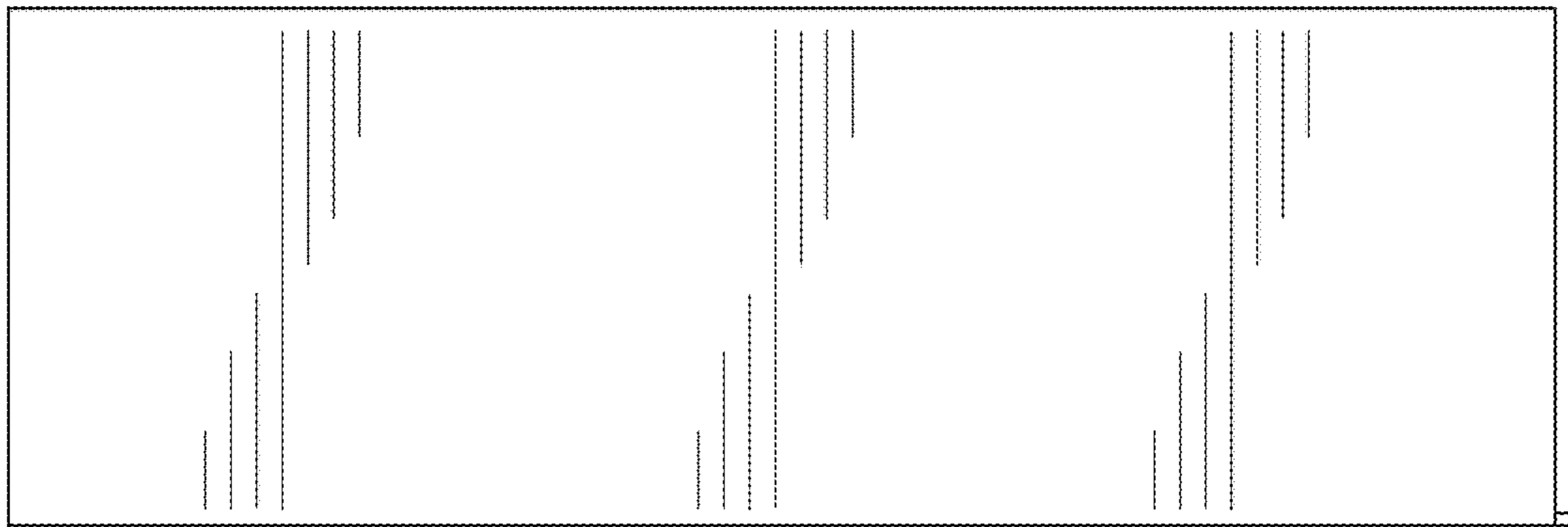


FIG. 3

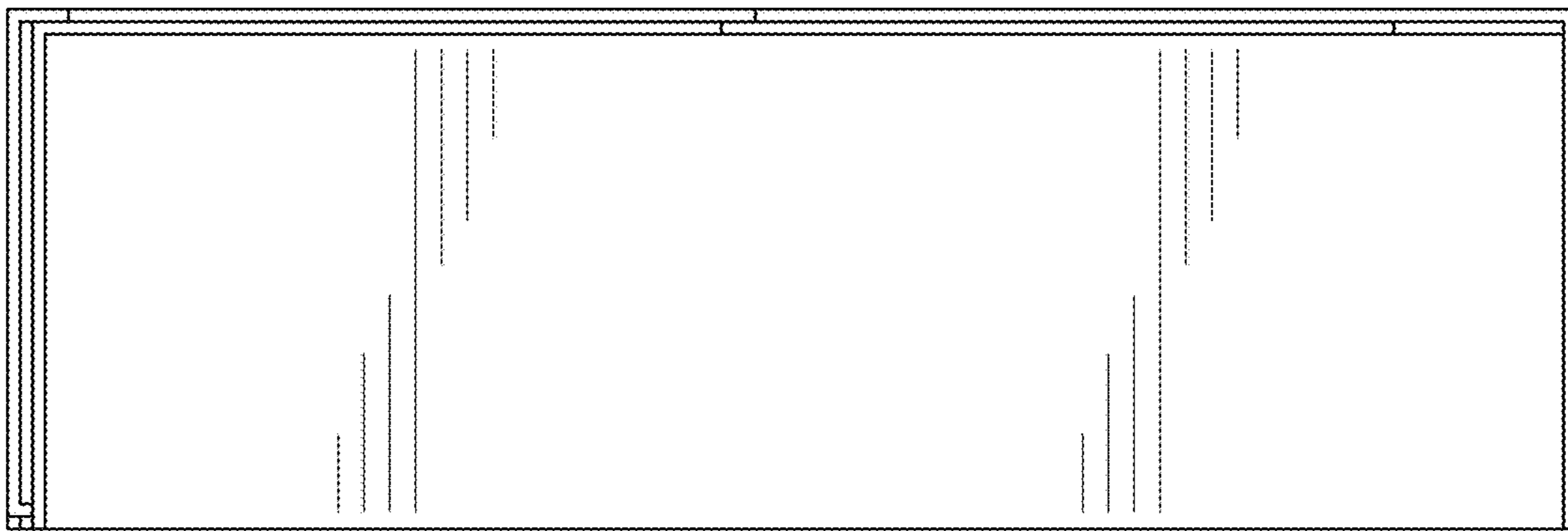


FIG. 4

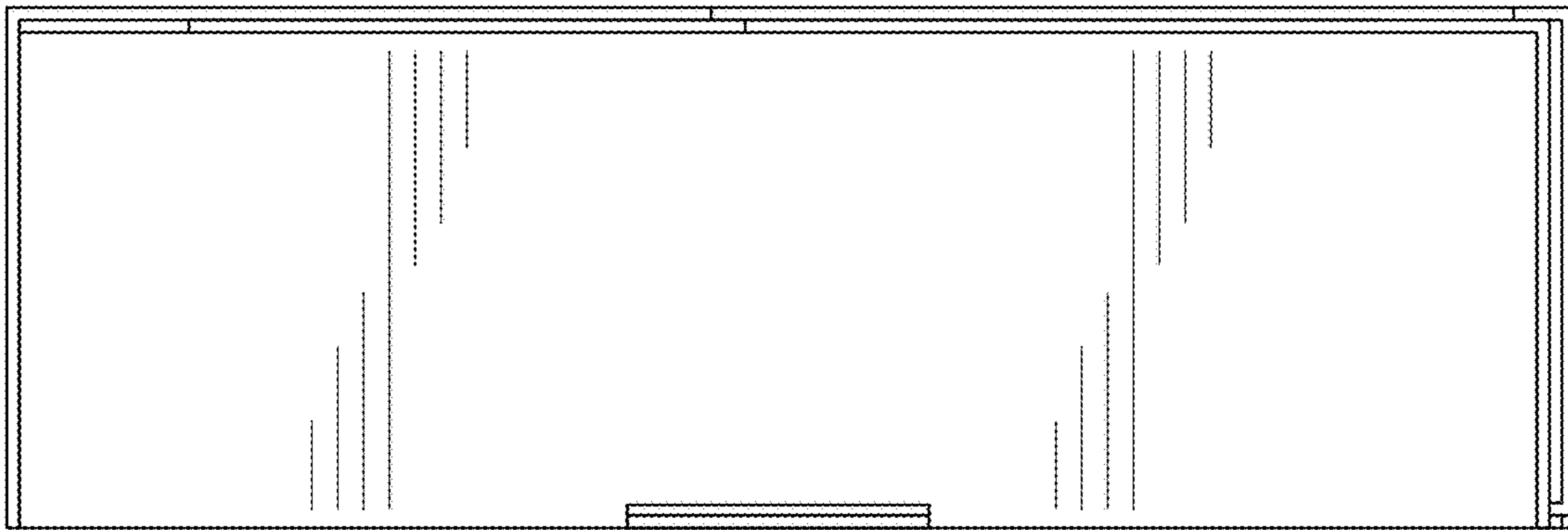


FIG. 5

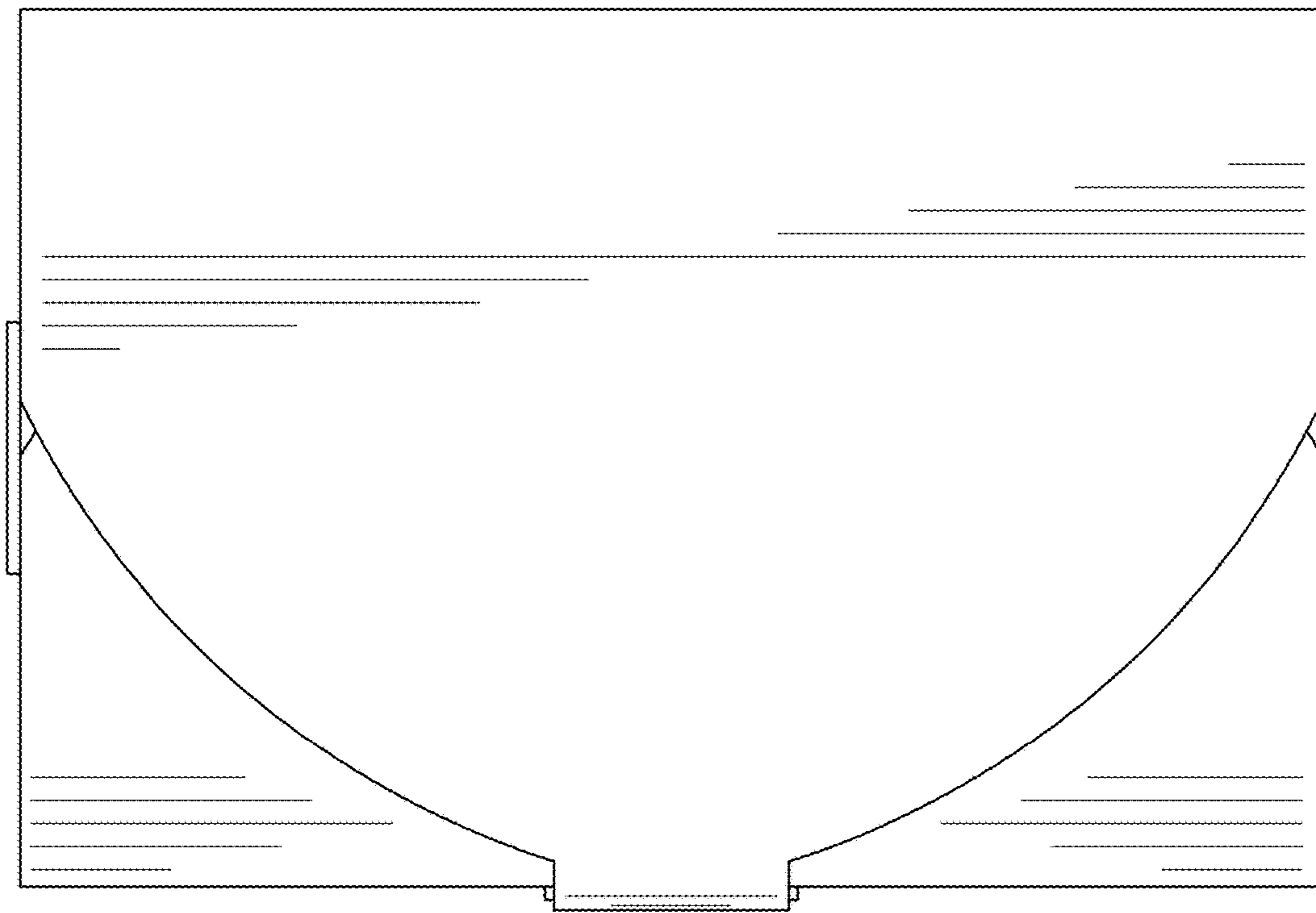


FIG. 6

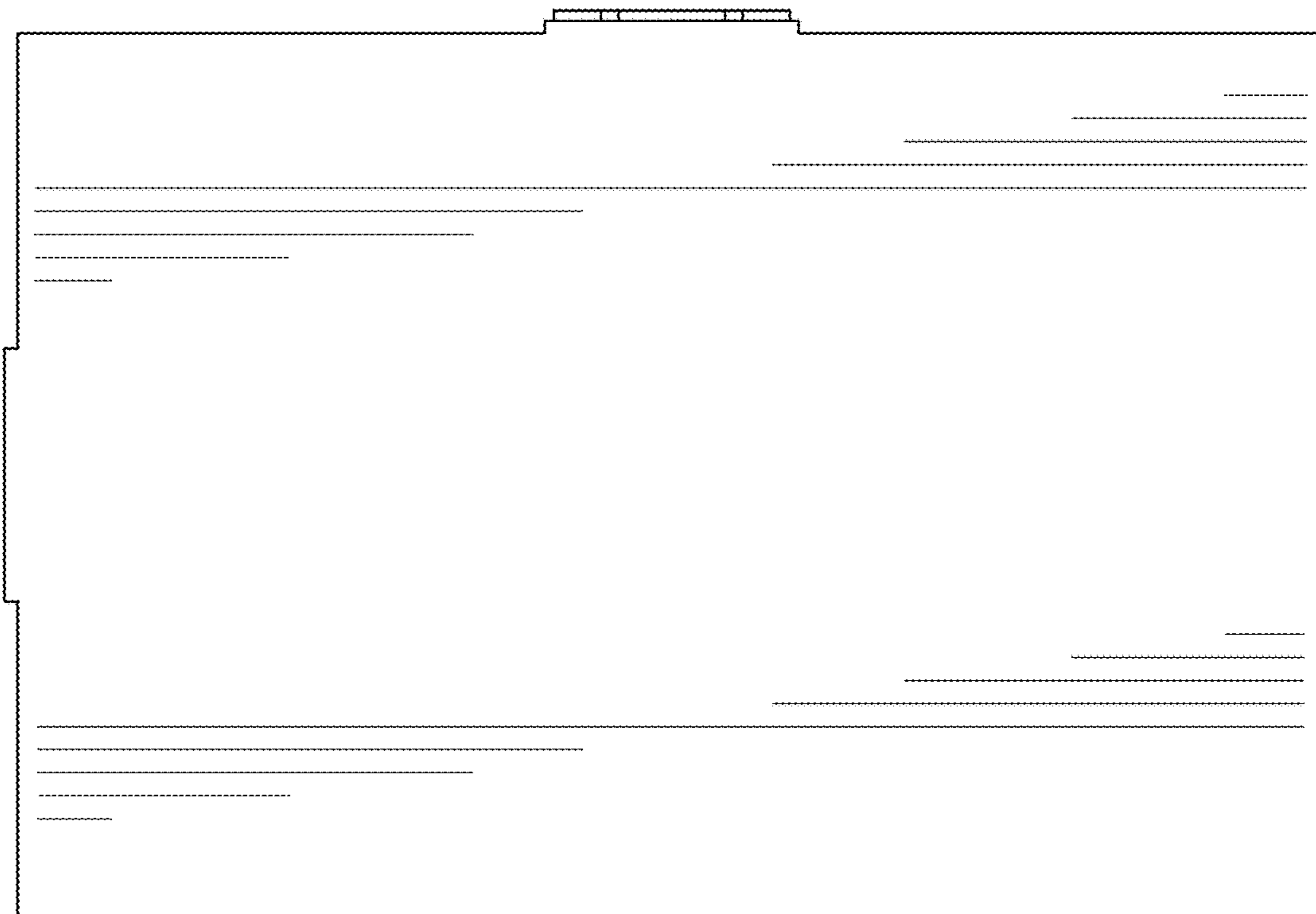


FIG. 7

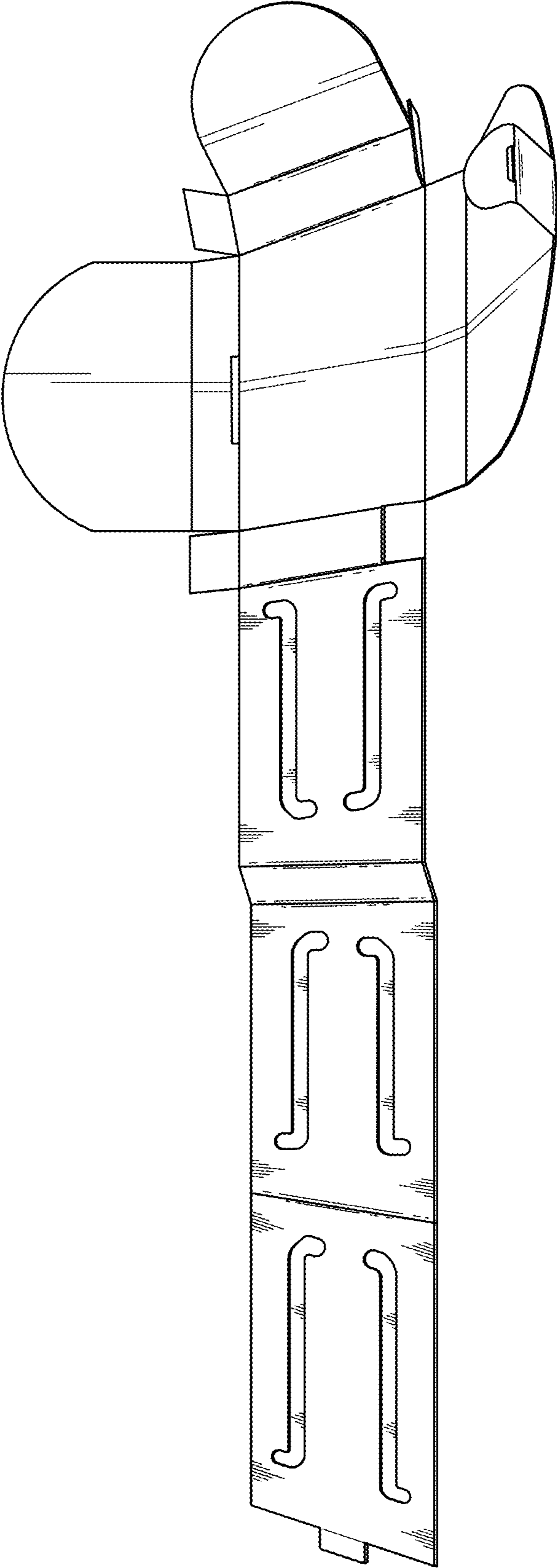


FIG. 8

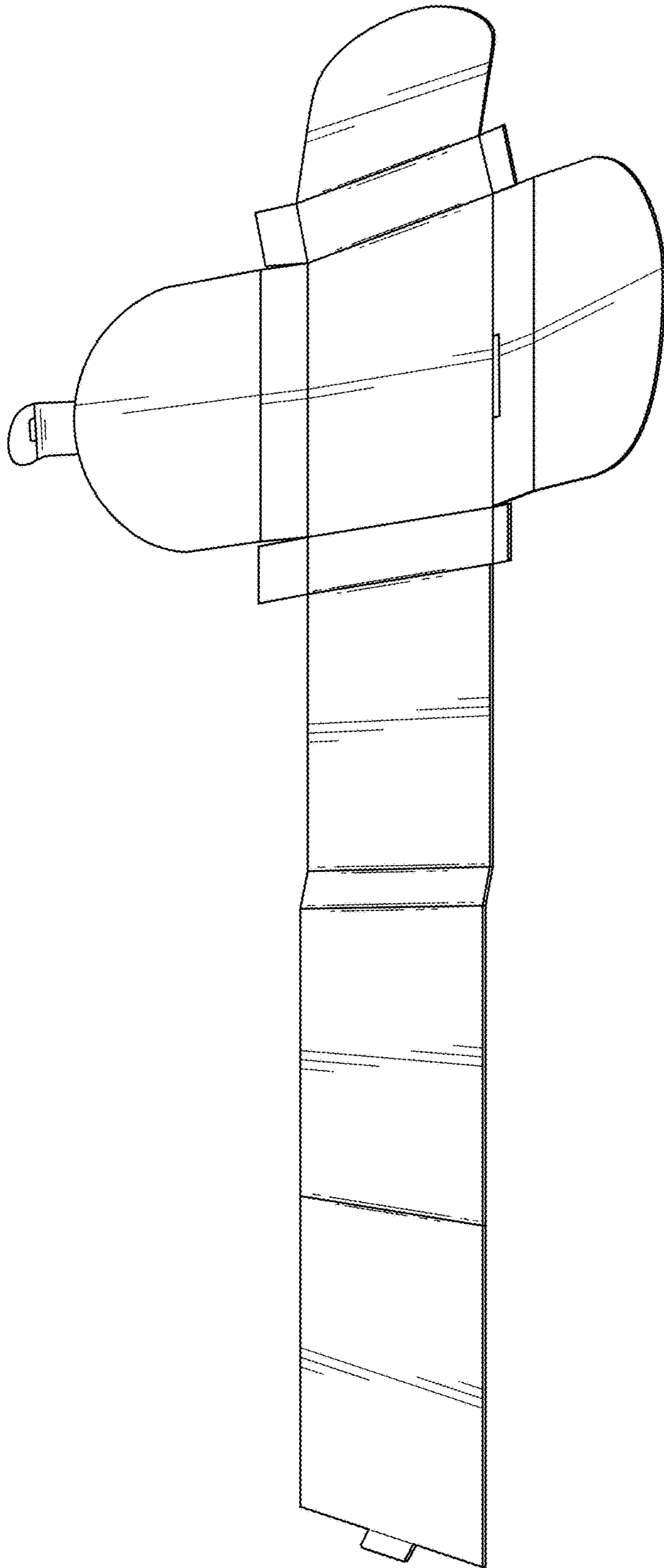


FIG. 9