



US00D791587S

(12) **United States Design Patent** (10) **Patent No.:** **US D791,587 S**
Buck (45) **Date of Patent:** **** Jul. 11, 2017**

- (54) **FOOD CONTAINER**
- (71) Applicant: **Ronald Mark Buck**, Encinitas, CA (US)
- (72) Inventor: **Ronald Mark Buck**, Encinitas, CA (US)
- (73) Assignee: **SNACKTOPS, INC.**, Carlsbad, CA (US)
- (**) Term: **15 Years**
- (21) Appl. No.: **29/542,059**
- (22) Filed: **Oct. 9, 2015**
- (51) **LOC (10) Cl.** **09-03**
- (52) **U.S. Cl.**
USPC **D9/428**
- (58) **Field of Classification Search**
USPC D7/538-545, 602, 608, 629; D9/396.1, D9/414, 420, 424-429, 432, 761; 206/501-509; 220/781, 791, 793, 220/811-813, 835, 839
CPC ... B65D 1/24; B65D 1/26; B65D 1/34; B65D 1/36; B65D 1/40; B65D 1/0223; B65D 25/04; B65D 43/03; B65D 43/16; B65D 43/0212
See application file for complete search history.

- (56) **References Cited**
U.S. PATENT DOCUMENTS
4,747,510 A * 5/1988 Mack B65D 43/0256 206/508
D335,085 S * 4/1993 Wacker D7/538
D362,594 S * 9/1995 McEntee D7/538
D364,090 S * 11/1995 Krupa D9/423
6,196,406 B1 * 3/2001 Ennis B65D 71/02 206/501
D475,893 S * 6/2003 Hottenroth D7/538

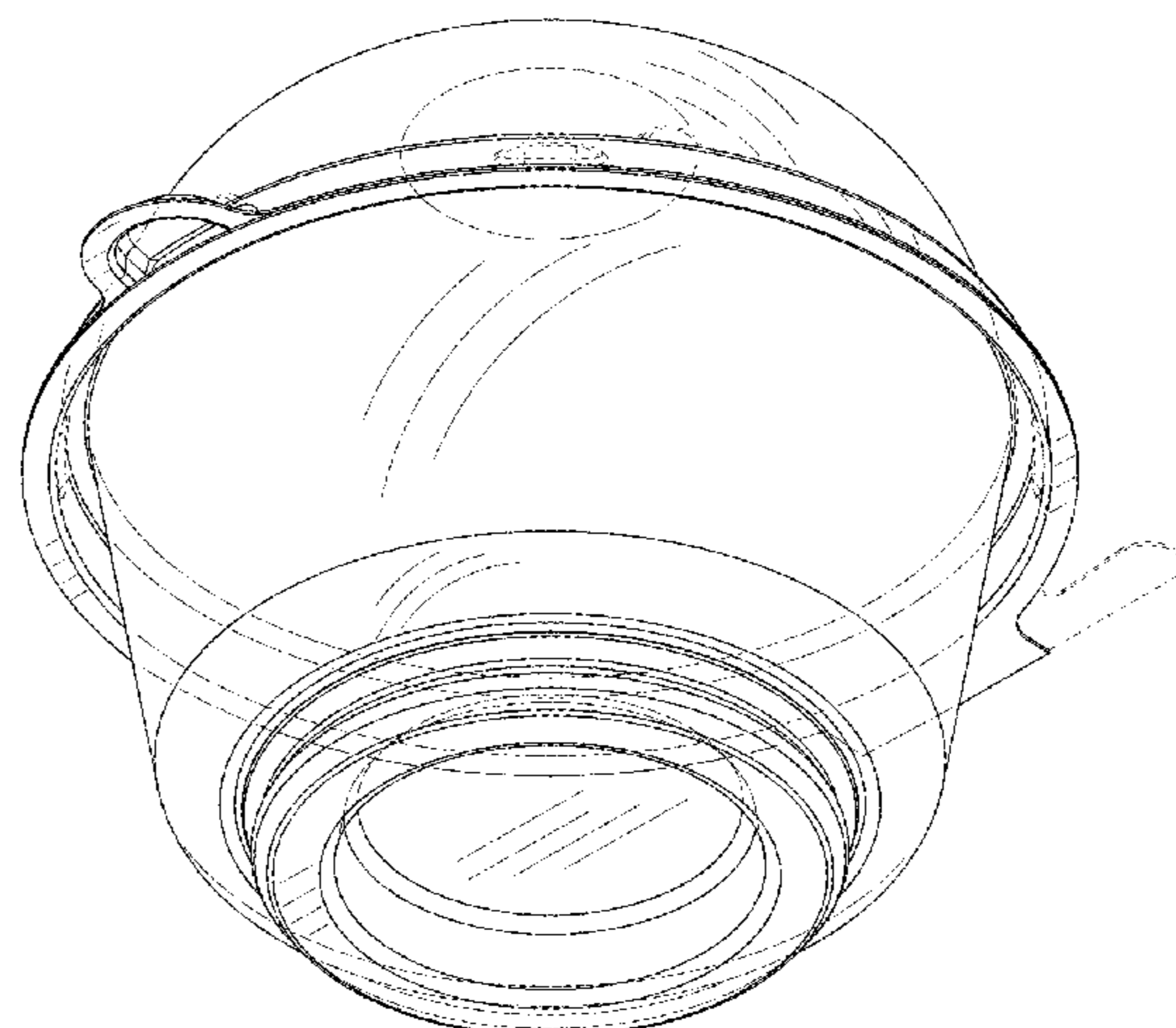
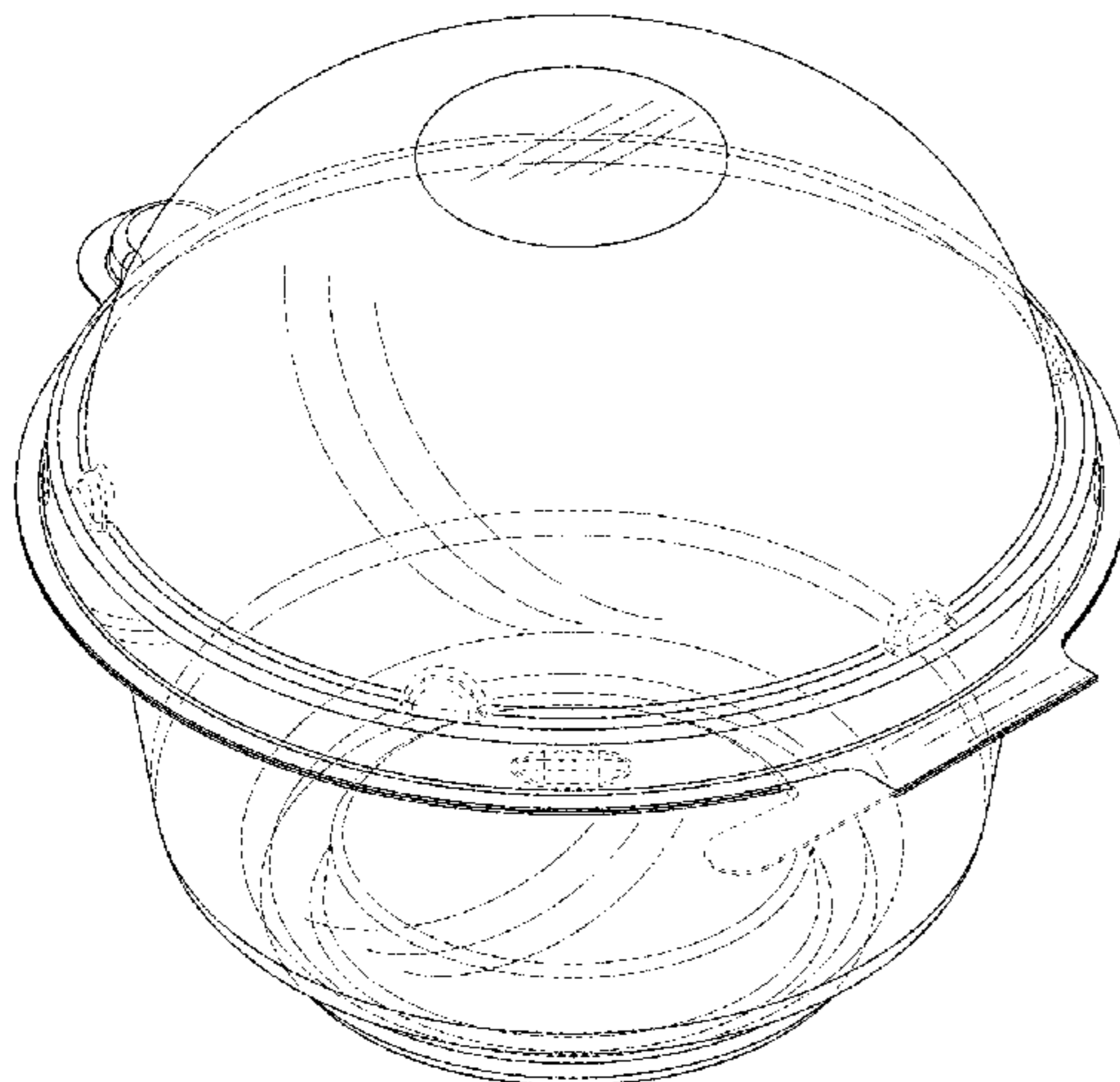
D504,281 S *	4/2005	Duggan	D7/538
D528,908 S *	9/2006	Faktorovich	D9/424
D545,627 S *	7/2007	Chatterton	D7/538
D556,569 S *	12/2007	Stein	D9/424
D687,705 S *	8/2013	Krupa	D9/425
2009/0057381 A1 *	3/2009	Gokhale	B65D 1/26 229/104

* cited by examiner
Primary Examiner — Derrick Holland
Assistant Examiner — Janice Lim
(74) *Attorney, Agent, or Firm* — Manuel de la Cerra

(57) **CLAIM**
The ornamental design for a food container, as shown and described.

DESCRIPTION
FIG. 1 is a top perspective view of a food container, showing my new design.
FIG. 2 is a bottom perspective view thereof.
FIG. 3 is a top perspective view thereof, shown in use, in reduced scale.
FIG. 4 is a bottom perspective view thereof, shown in use, in reduced scale.
FIG. 5 is a top perspective view thereof, shown in use in detached condition, in reduced scale.
FIG. 6 is a bottom perspective view thereof, shown in use in detached condition, in reduced scale.
FIG. 7 is a top view thereof.
FIG. 8 is a bottom view thereof.
FIG. 9 is a rear view thereof.
FIG. 10 is a front view thereof.
FIG. 11 is a right side view thereof; and,
FIG. 12 is a left side view thereof.
The broken line portions are included to shown unclaimed subject matter only and form no part of the claimed design.

1 Claim, 7 Drawing Sheets



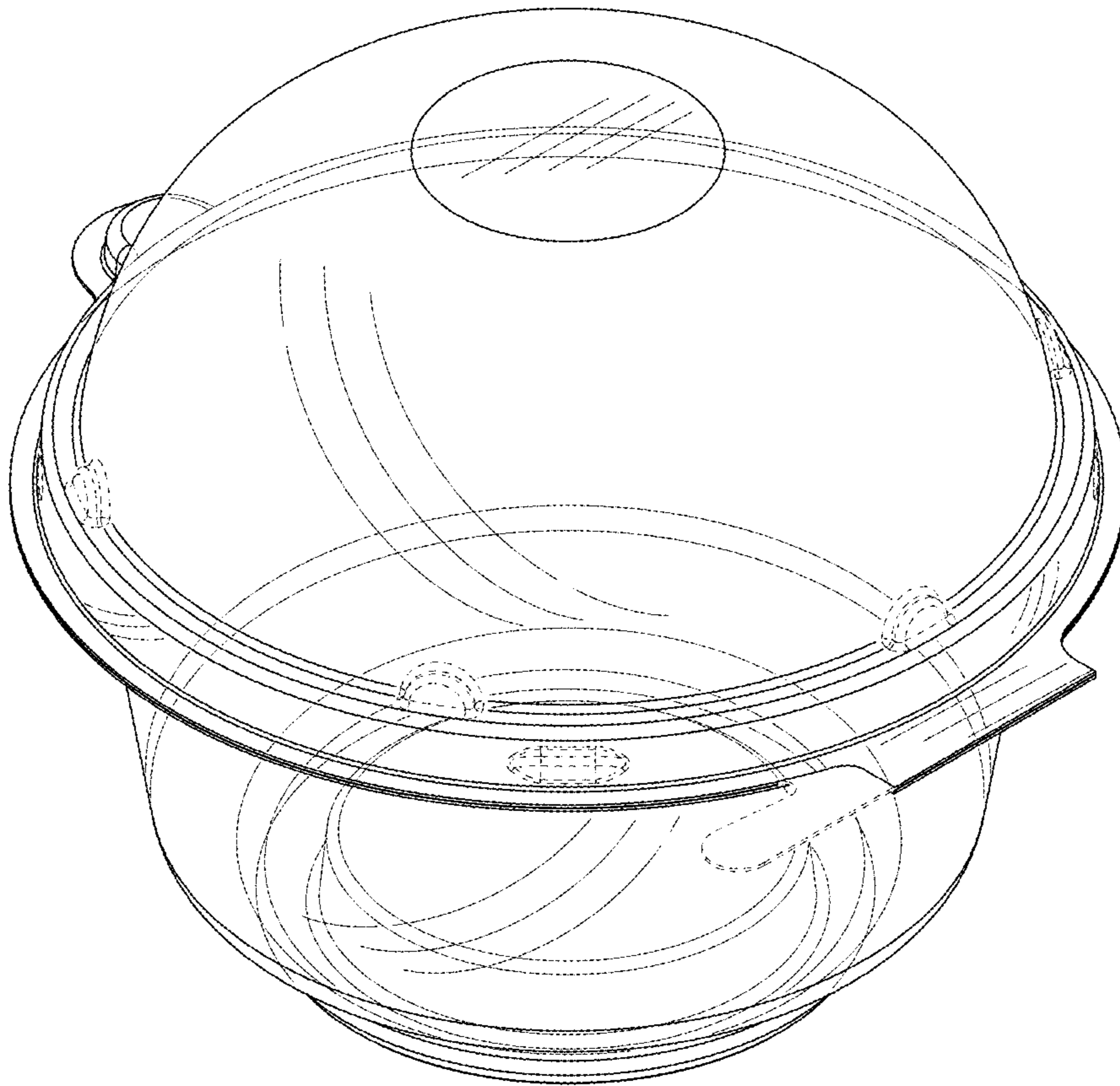


FIG. 1

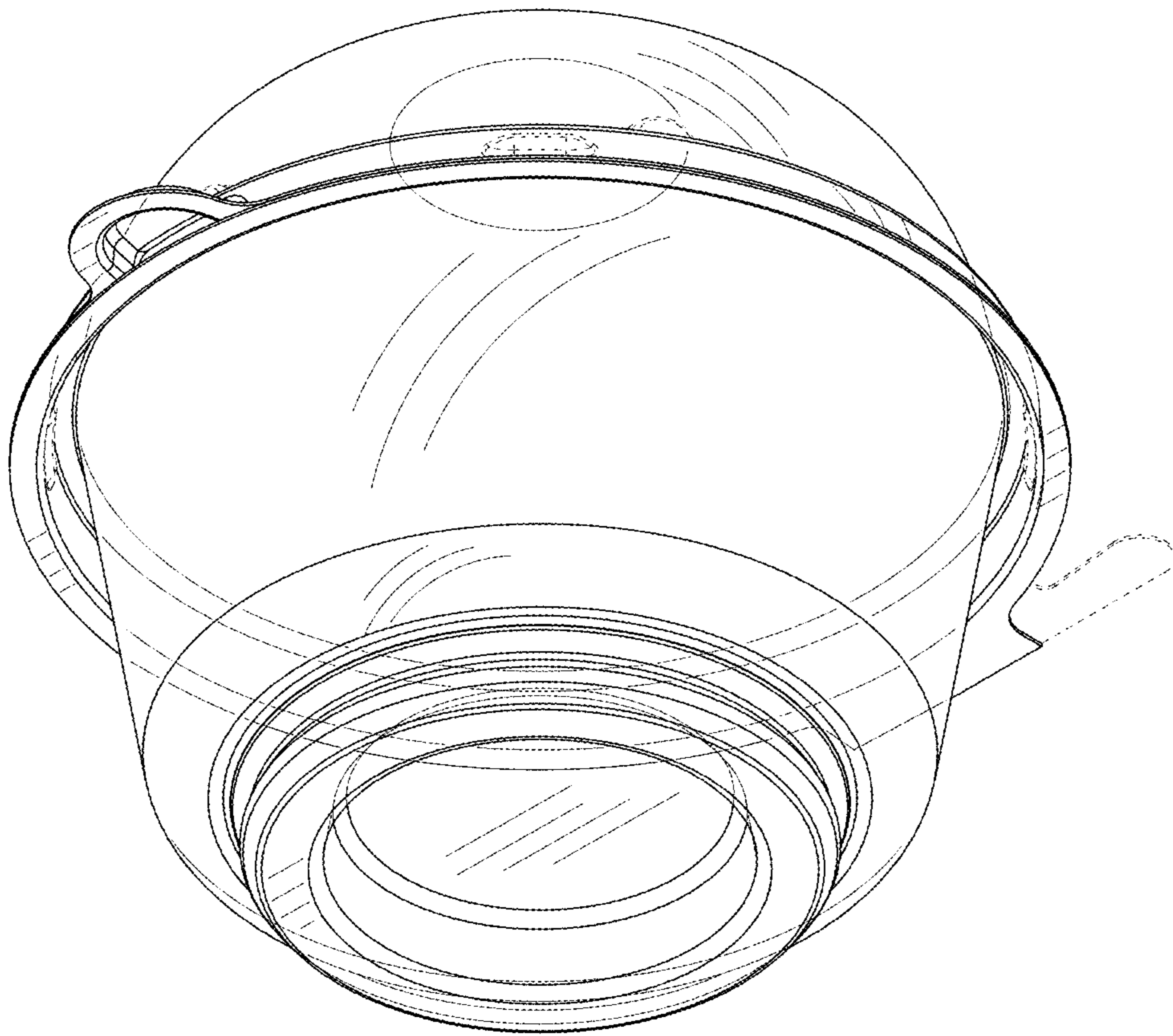


FIG. 2

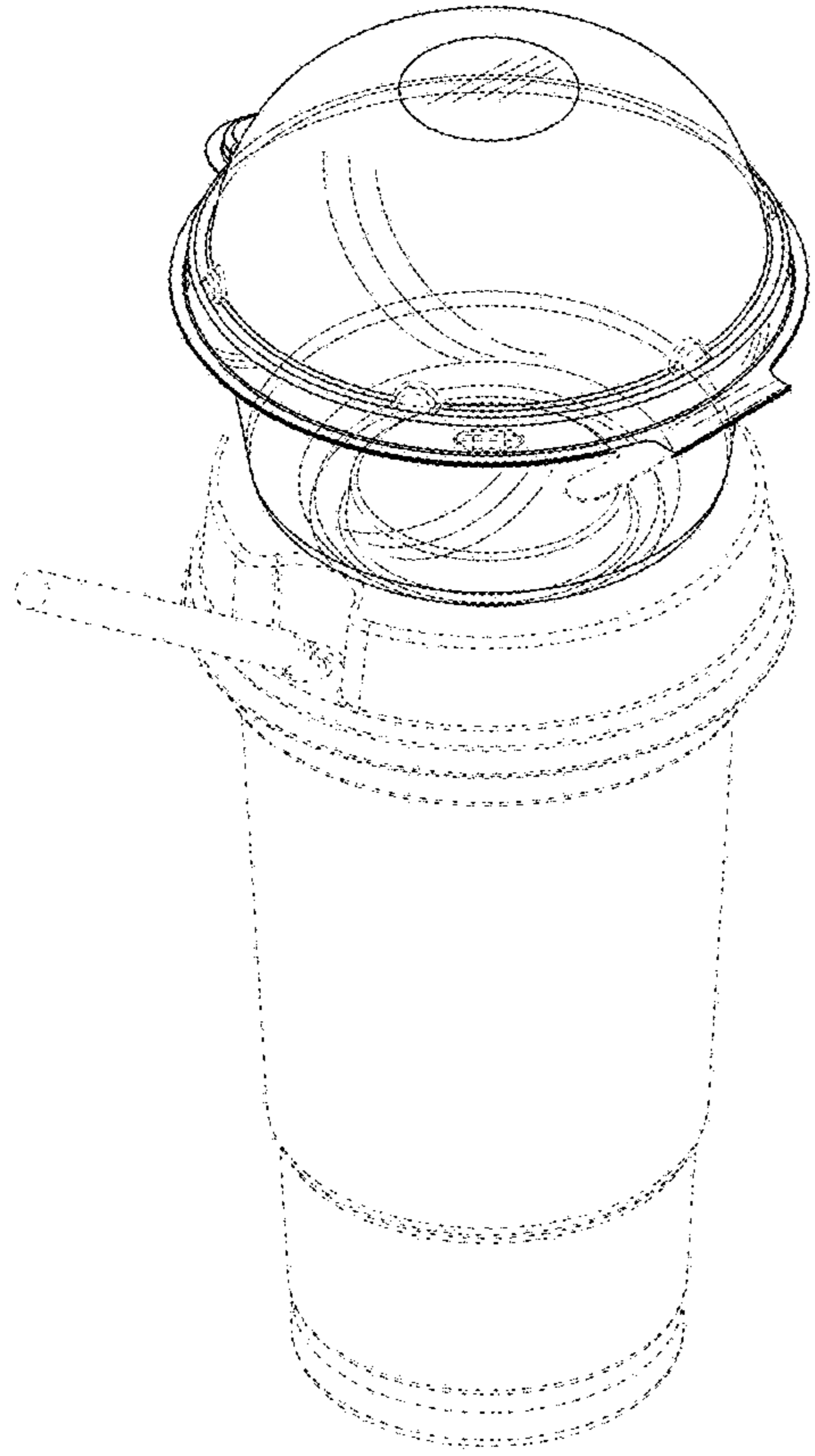


FIG. 3

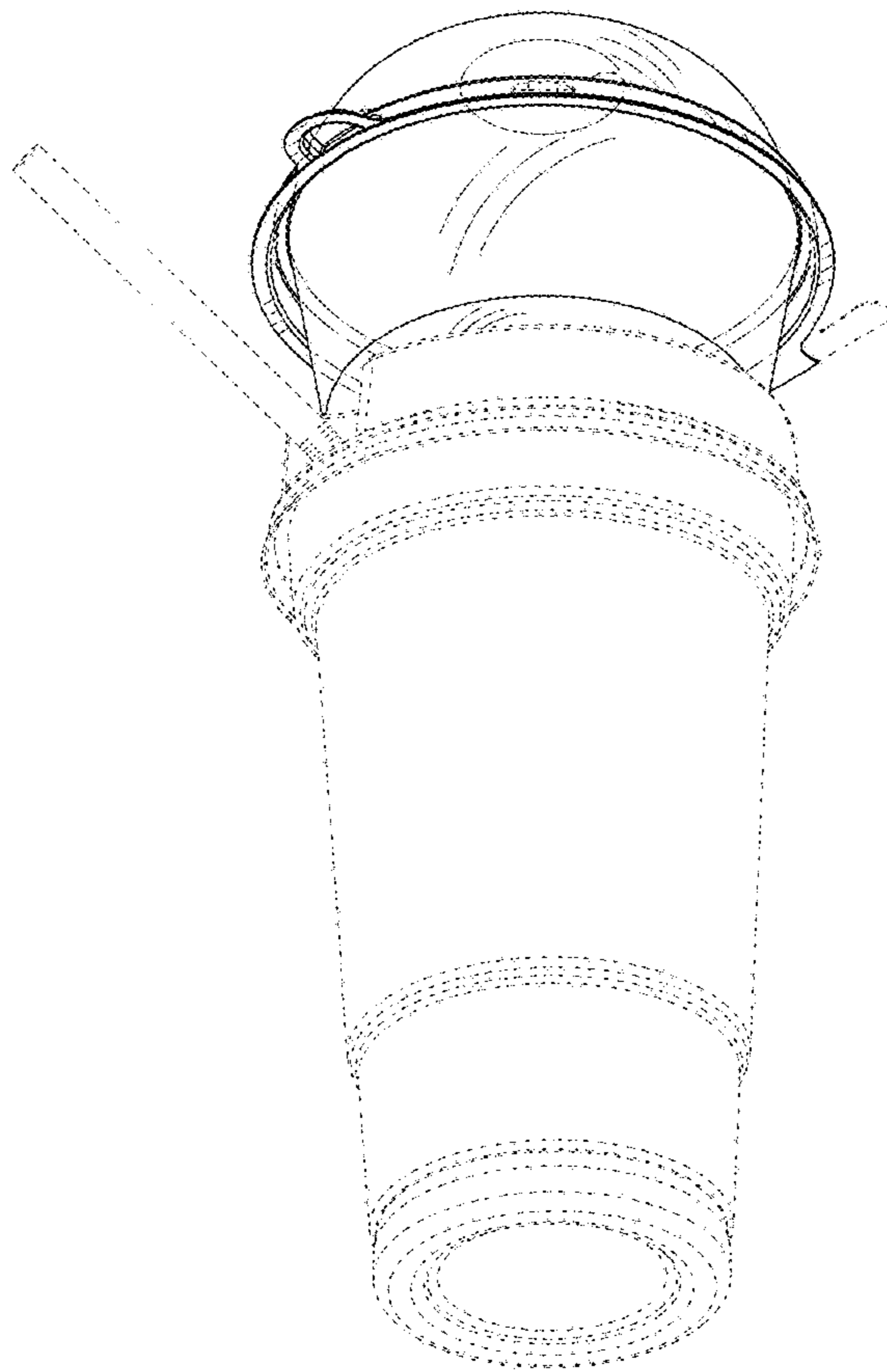


FIG. 4

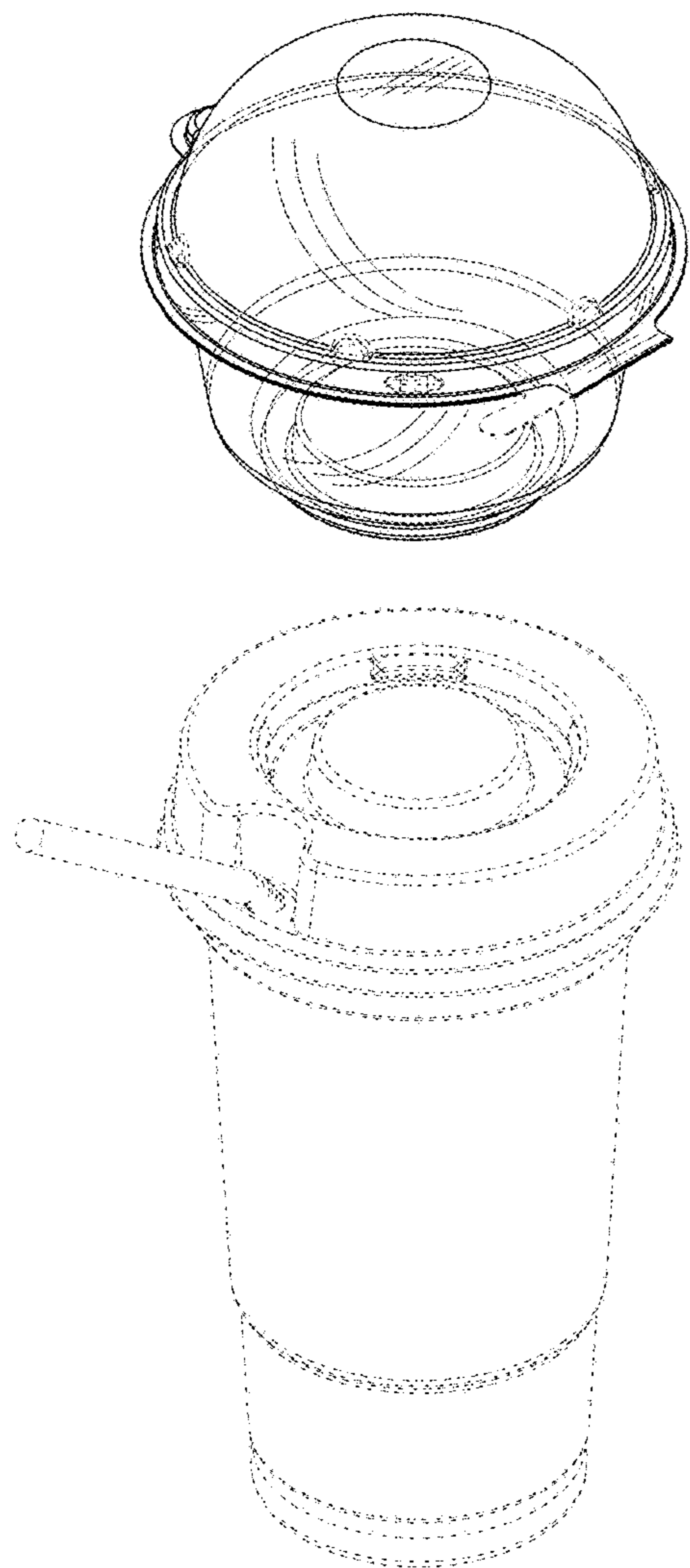


FIG. 5

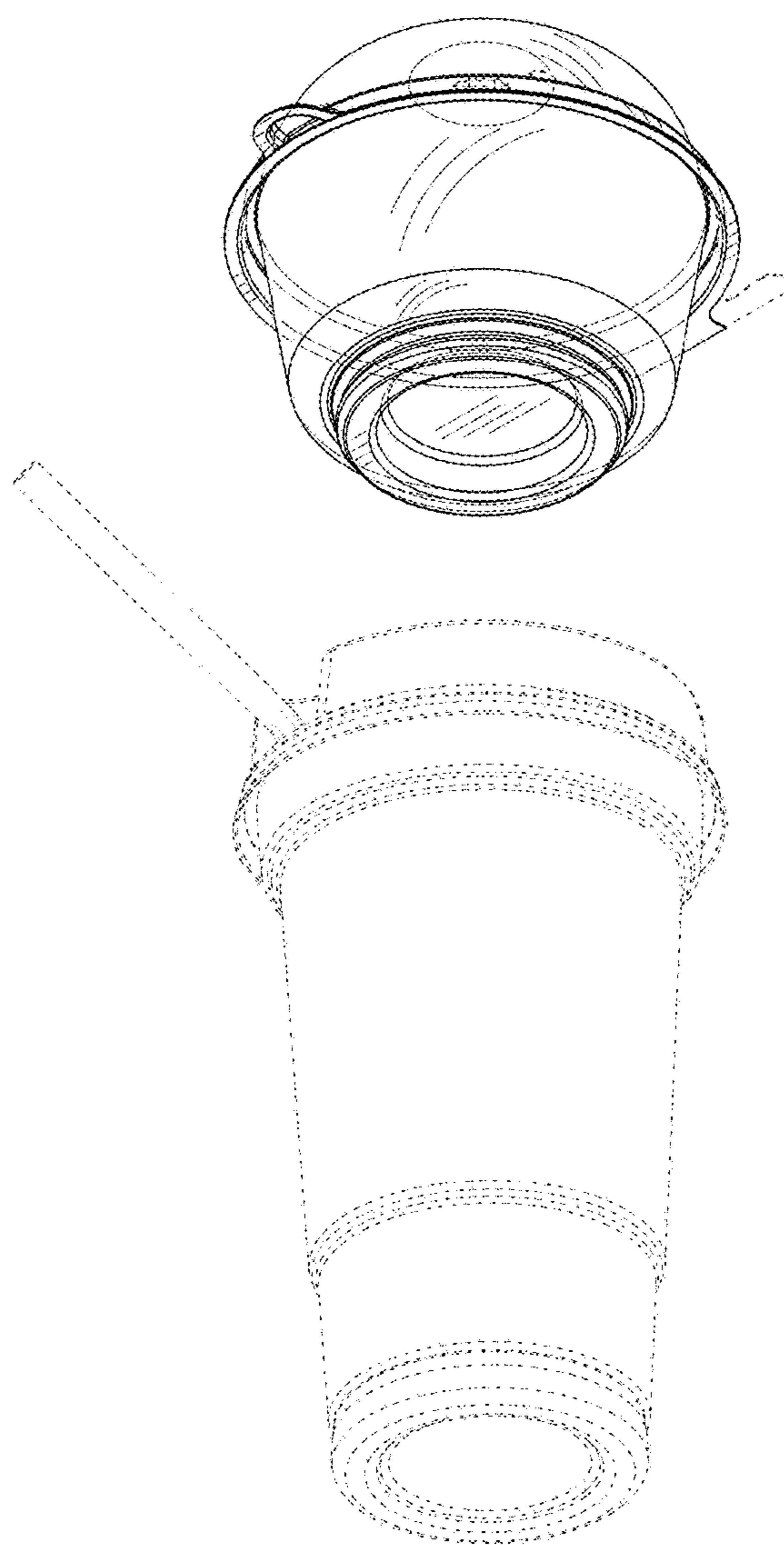


FIG. 6

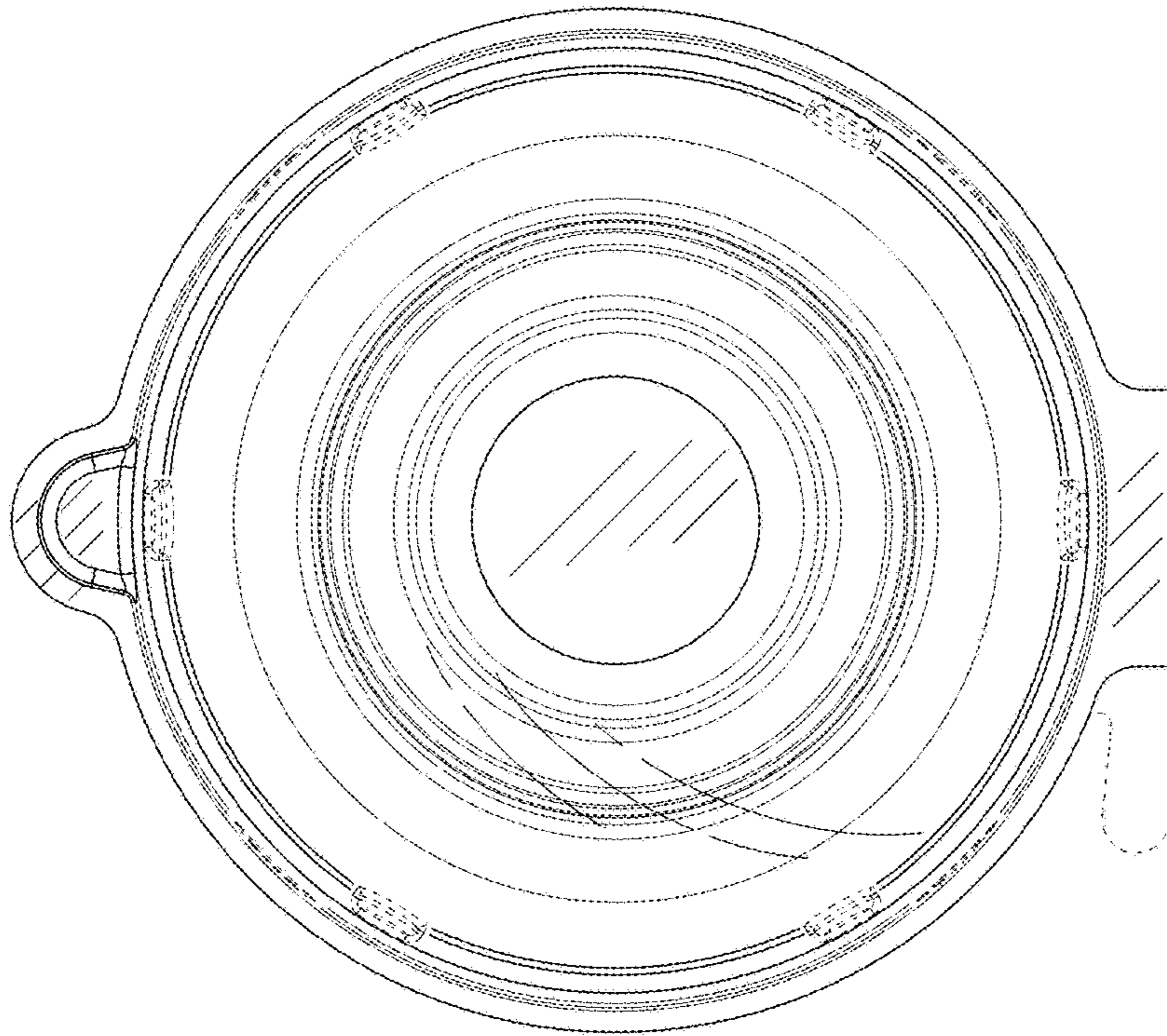


FIG. 7

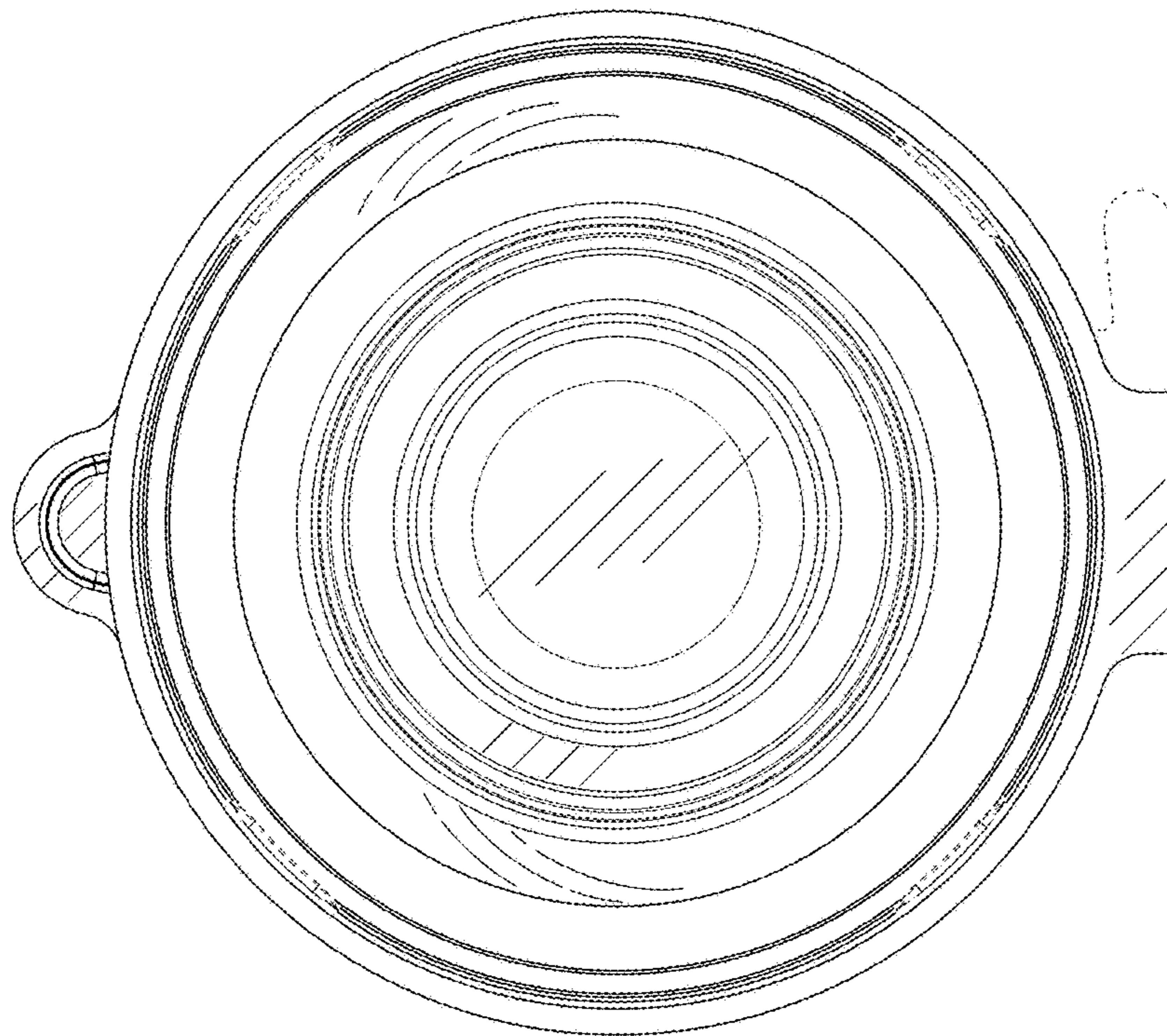


FIG. 8

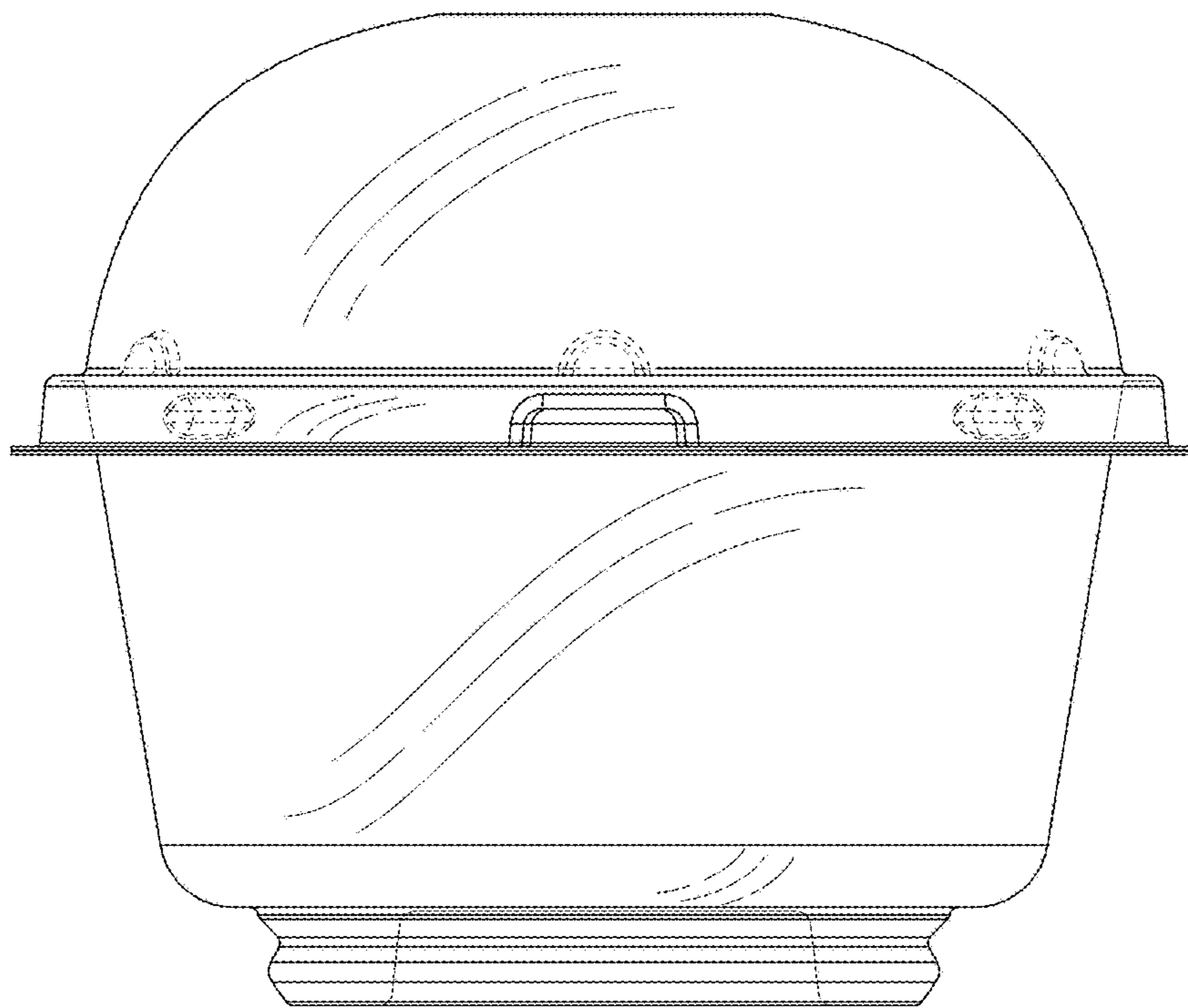


FIG. 9

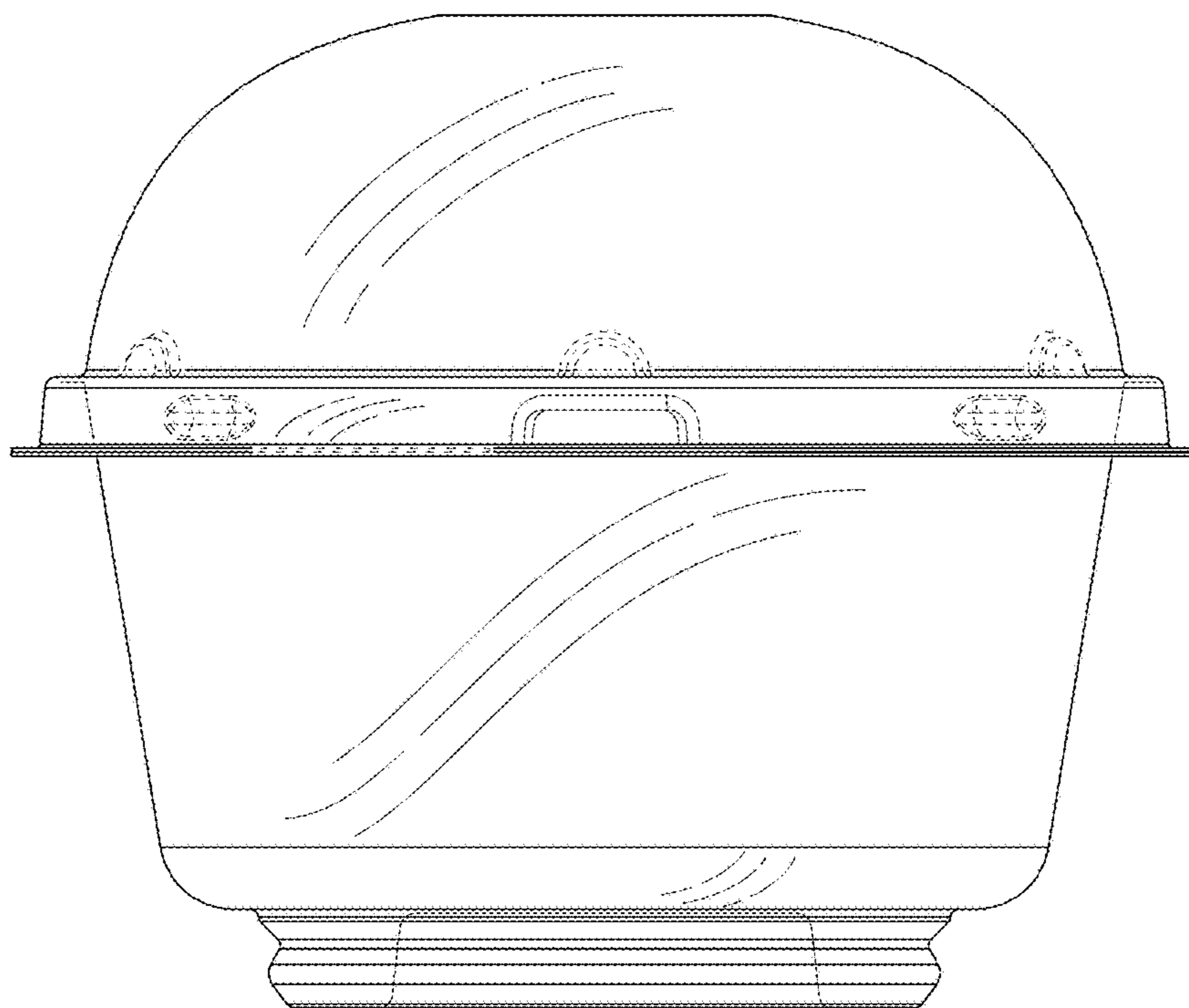


FIG. 10

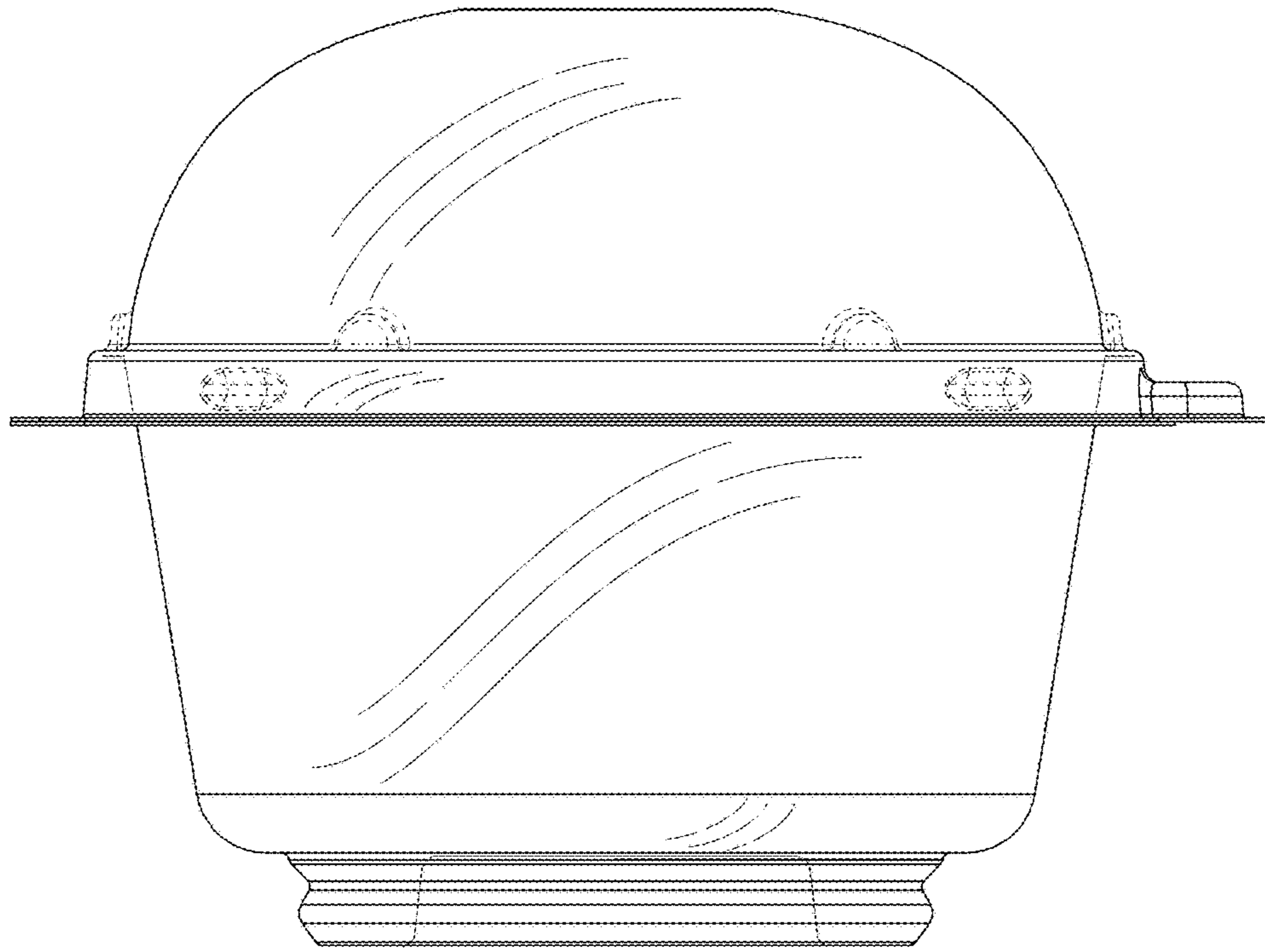


FIG. 11

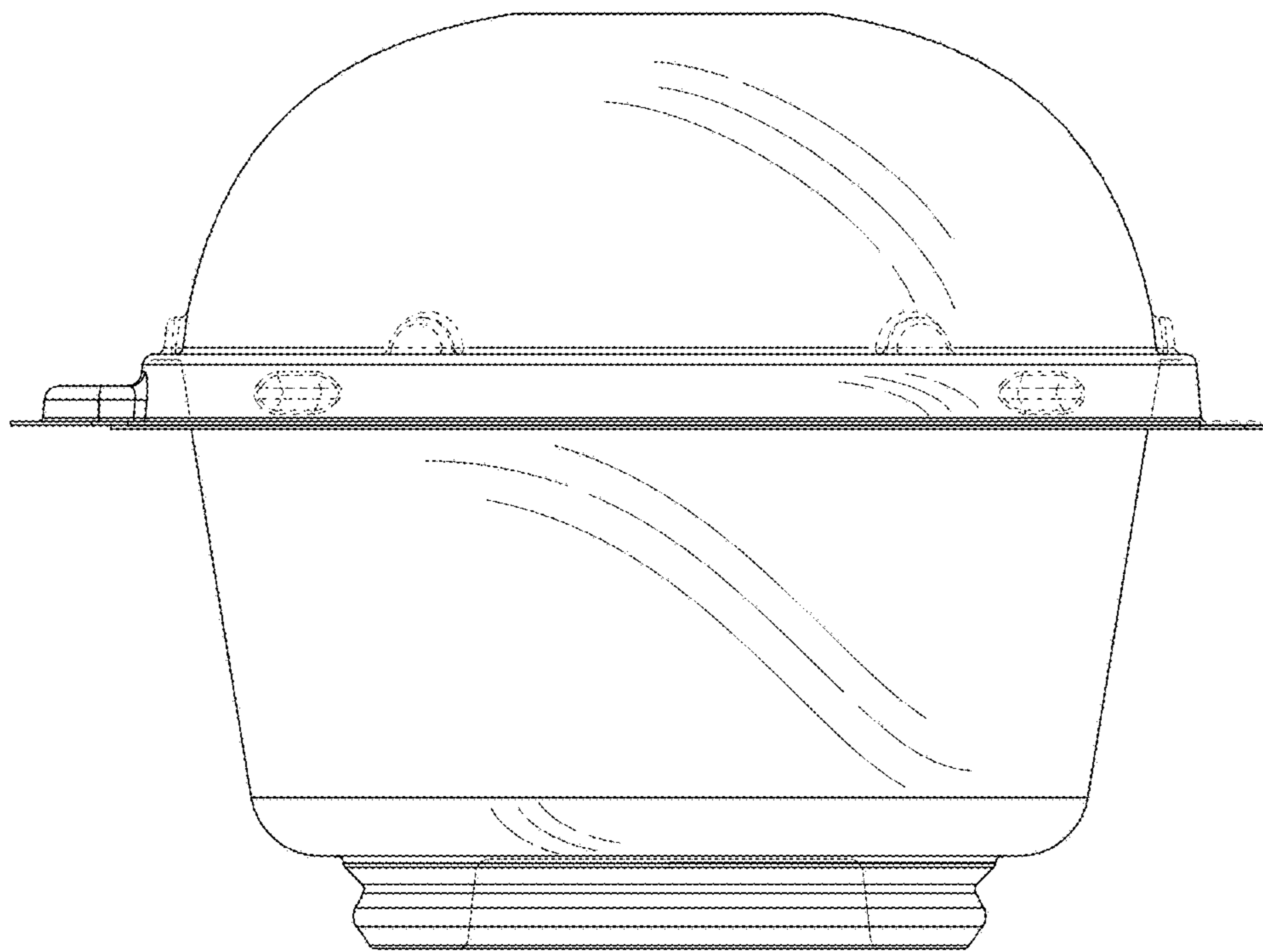


FIG. 12