



US00D791586S

(12) **United States Design Patent** (10) **Patent No.:** **US D791,586 S**  
**Bois** (45) **Date of Patent:** **\*\* Jul. 11, 2017**

(54) **CONTAINER**

(71) Applicant: **Clariant Production (France) SAS**,  
Choisy le Roi (FR)  
(72) Inventor: **Dominique Bois**, Montreuil aux Lions  
(FR)

(73) Assignee: **Clariant Production (France) SAS**,  
Choisy le Roi (FR)

(\*\*) Term: **14 Years**

(21) Appl. No.: **29/512,222**

(22) Filed: **Dec. 17, 2014**

(30) **Foreign Application Priority Data**

Jun. 17, 2014 (EM) ..... 002484089

(51) **LOC (10) Cl.** ..... **09-03**

(52) **U.S. Cl.**  
USPC ..... **D9/428; D9/430**

(58) **Field of Classification Search**

USPC ..... D9/414, 415, 416, 417, 418, 419, 420,  
D9/421, 422, 423, 424, 425, 426, 427,  
D9/428, 429, 431, 432, 433; D7/546,  
D7/602, 610, 624.1, 630; D28/4, 8  
CPC ..... A47G 21/14; A47J 47/14; B65D 1/22;  
B65D 1/34; B65D 1/36; B65D 1/40;  
B65D 1/46; B65D 21/083; B65D  
21/0234; B65D 43/162; B65D 77/245;  
B65D 2543/00092; B65D 2543/0012;  
B65D 2543/00101; B65D 2543/00296;  
B65D 3/28; B65D 5/4204; B65D 7/46;  
B65D 85/12; B65D 85/34; B21D  
51/2646; A45C 11/02; A45F 3/48  
See application file for complete search history.

(56) **References Cited**

**U.S. PATENT DOCUMENTS**

1,577,024 A \* 3/1926 Hammer ..... B65D 43/0222  
215/317  
D128,642 S \* 8/1941 Preis ..... D9/416  
(Continued)

**FOREIGN PATENT DOCUMENTS**

WO WO D067982-001 4/2006  
WO WO D069747-001 2/2008  
WO WO D070355-002 7/2008

**OTHER PUBLICATIONS**

U.S. Appl. No. 29/471,208, filed Oct. 29, 2013, Logel et al.  
(Continued)

*Primary Examiner* — Karen S Acker  
*Assistant Examiner* — Wendy Arminio

(74) *Attorney, Agent, or Firm* — Knobbe, Martens, Olson  
& Bear LLP

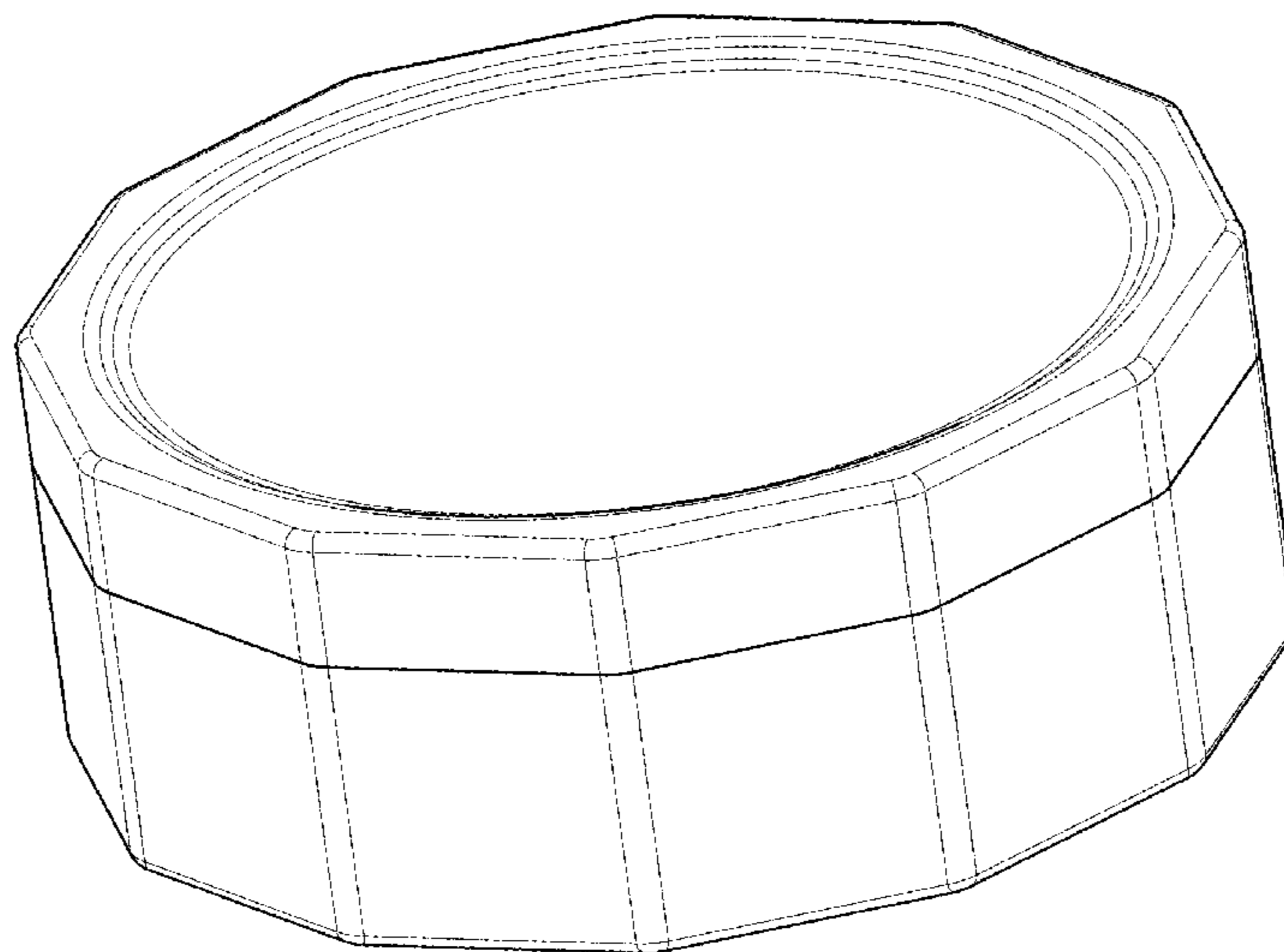
(57) **CLAIM**

The ornamental design for a container, as shown and  
described.

**DESCRIPTION**

FIG. 1 is a perspective view of the new design;  
FIG. 2 is a top plan view of the design of FIG. 1;  
FIG. 3 is a bottom plan view of the design of FIG. 1;  
FIG. 4 is a right side elevational view of the design of FIG.  
1; the left side elevational view is identical;  
FIG. 5 is a front elevational view of the design of FIG. 1; the  
rear elevational view is identical;  
FIG. 6 is a perspective view of an embodiment embodying  
the new design;  
FIG. 7 is a top plan view of the design of FIG. 6;  
FIG. 8 is a bottom plan view of the design of FIG. 6;  
FIG. 9 is a right side elevational view of the design of FIG.  
6; the left side elevational view is identical; and,  
FIG. 10 is a front side elevational view of the design of FIG.  
6; the rear elevational view is identical.

**1 Claim, 5 Drawing Sheets**



(56)

References Cited

U.S. PATENT DOCUMENTS

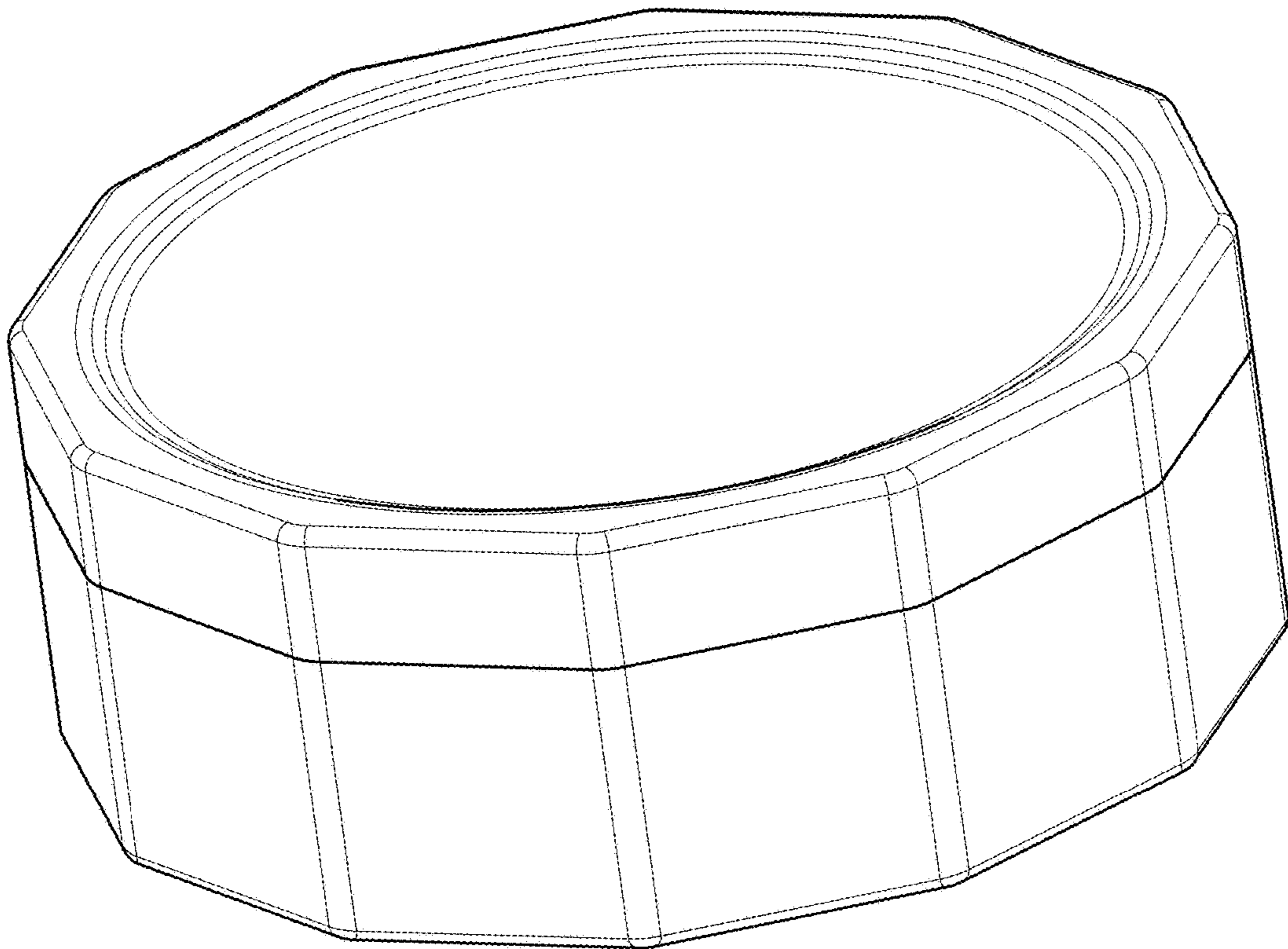
2,335,016 A \* 11/1943 Lorenzen ..... A61J 1/03  
206/538  
3,381,882 A \* 5/1968 Van Nostrand ..... A47G 19/03  
229/117.01  
D273,093 S \* 3/1984 Lunden ..... D3/203.4  
D279,651 S 7/1985 Freeman  
4,550,844 A 11/1985 Lininger  
D295,956 S \* 5/1988 Holewinski ..... D9/424  
4,981,230 A 1/1991 Marshall et al.  
5,486,172 A \* 1/1996 Chess ..... A61B 18/203  
206/524.4  
D401,115 S 11/1998 Huang  
6,056,136 A 5/2000 Taber et al.  
D427,069 S 6/2000 Carter  
6,196,451 B1 \* 3/2001 Helms ..... B29C 45/14336  
220/782  
D472,466 S \* 4/2003 Weinstein ..... D9/430  
D511,437 S \* 11/2005 Brown ..... D7/566  
D530,205 S 10/2006 Lohrman  
D535,556 S \* 1/2007 Broderick ..... D9/416  
D548,086 S \* 8/2007 Conway ..... D7/300.1  
D574,705 S \* 8/2008 Kortleven ..... D9/424  
D574,709 S \* 8/2008 Crotts ..... D28/91  
D599,655 S 9/2009 Friebe et al.  
D604,608 S 11/2009 Lourenco  
D610,008 S 2/2010 Baughman  
D640,935 S \* 7/2011 Davies ..... D9/453  
D641,628 S 7/2011 Baughman  
D644,337 S 8/2011 Belfance et al.  
D644,739 S 9/2011 Belfance et al.  
D644,740 S 9/2011 John et al.  
D650,269 S \* 12/2011 Berggren ..... D9/423  
D654,366 S 2/2012 Presche et al.  
D670,858 S \* 11/2012 Fakhouri ..... D27/189

D694,100 S 11/2013 Schneider et al.  
8,915,371 B2 \* 12/2014 Giocastro ..... B65D 83/04  
206/538  
D729,010 S 5/2015 Logel et al.  
2005/0205458 A1 \* 9/2005 Pearson ..... B65D 83/04  
206/538  
2005/0252878 A1 11/2005 Babcock  
2007/0110928 A1 \* 5/2007 Bried ..... B65D 1/22  
428/34.1  
2008/0257849 A1 \* 10/2008 Farrar ..... B65D 39/08  
215/222  
2008/0296187 A1 \* 12/2008 Butzen ..... B25H 3/003  
206/379  
2008/0308555 A1 \* 12/2008 Stolzman ..... B65D 1/16  
220/288  
2010/0224646 A1 9/2010 Incorvia et al.  
2010/0282783 A1 11/2010 Baughman et al.  
2011/0278195 A1 \* 11/2011 Giocastro ..... B65D 51/28  
206/528  
2014/0008249 A1 \* 1/2014 Muller ..... B65D 85/00  
206/139

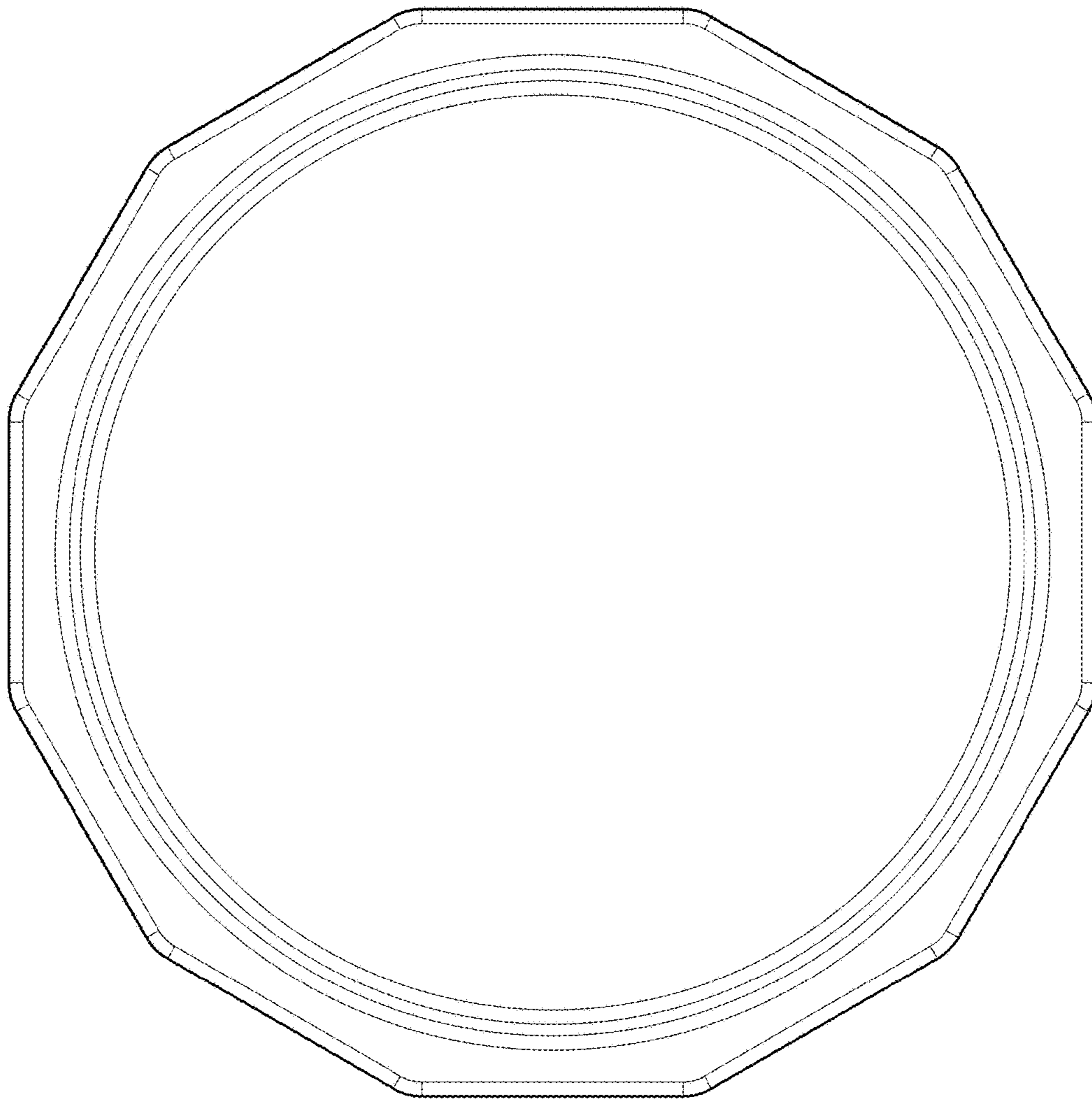
OTHER PUBLICATIONS

U.S. Appl. No. 29/490,099, filed May 6, 2014, Lebon.  
U.S. Appl. No. 29/490,104, filed May 6, 2014, Lebon.  
U.S. Appl. No. 29/490,108, filed May 6, 2014, Lebon.  
U.S. Appl. No. 29/489,583, filed Apr. 30, 2014, Logel et al.  
U.S. Appl. No. 29/503,018, filed Sep. 22, 2014, Bois.  
U.S. Appl. No. 29/503,016, filed Sep. 22, 2014, Bois.  
U.S. Appl. No. 29/506,432, filed Oct. 15, 2014, Logel et al.  
U.S. Appl. No. 29/506,437, filed Oct. 15, 2014, Logel et al.  
U.S. Appl. No. 29/507,653, filed Oct. 29, 2014, Logel et al.  
U.S. Appl. No. 29/518,762, filed Feb. 26, 2015, Lebon.

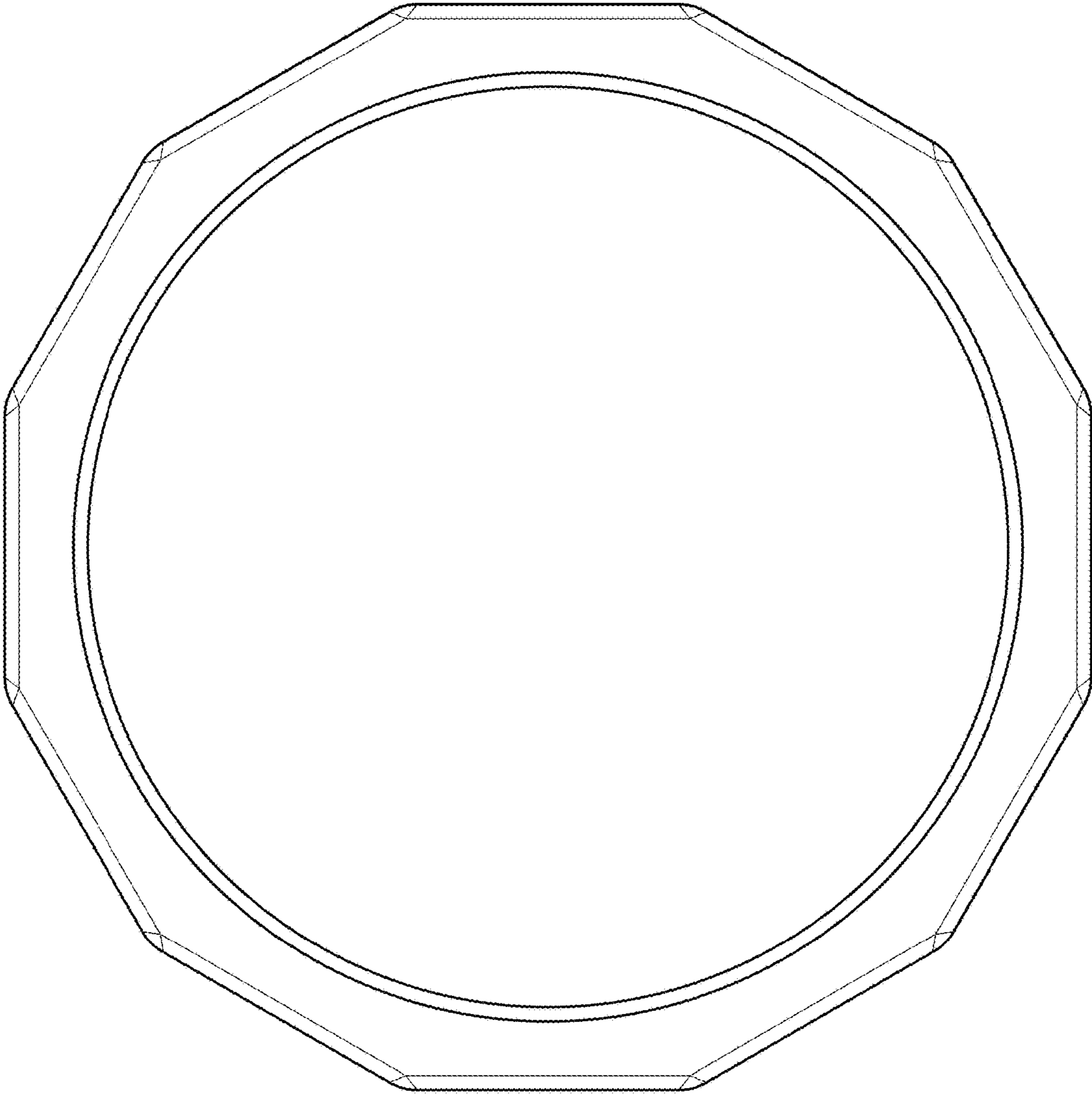
\* cited by examiner



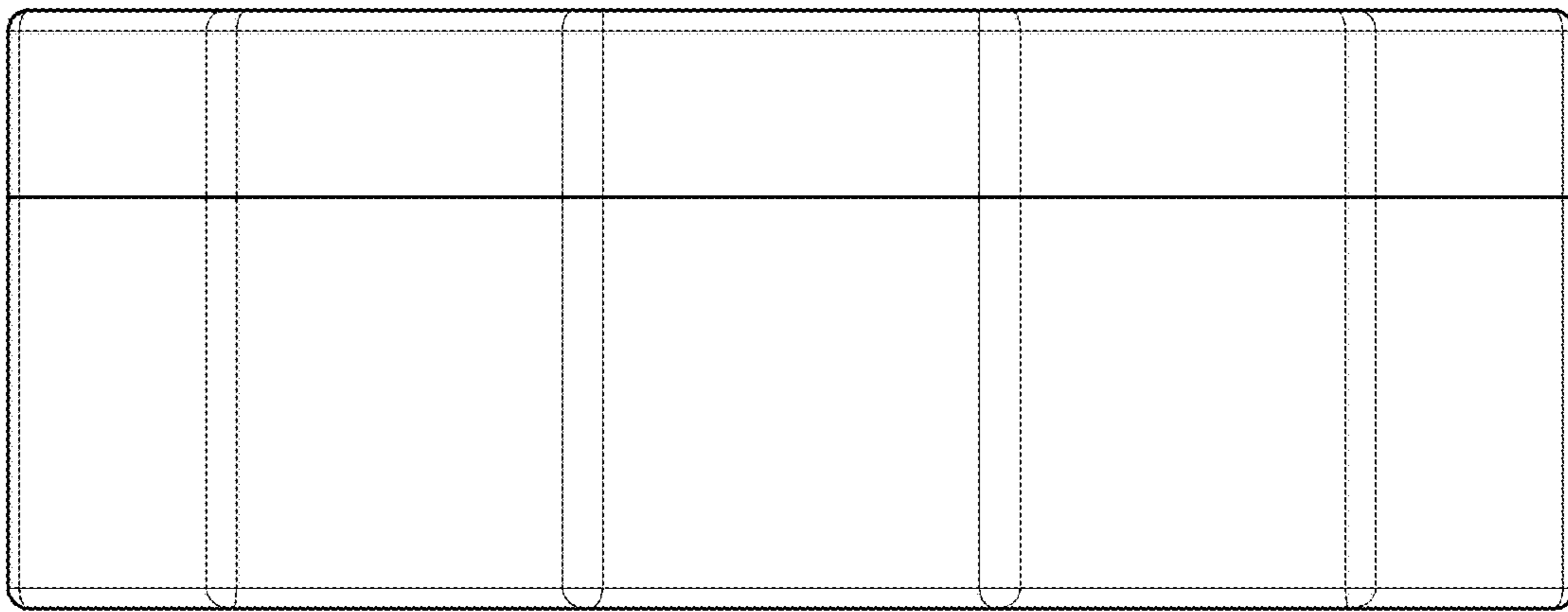
*FIG. 1*



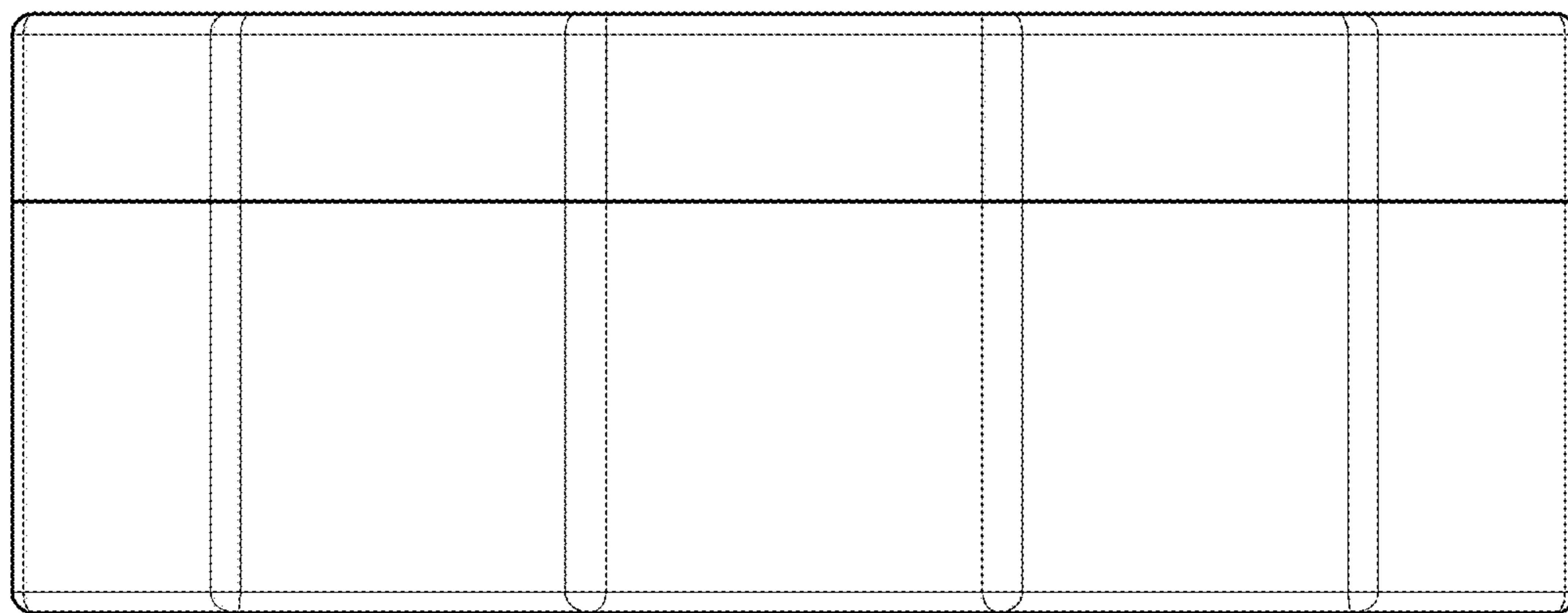
*FIG. 2*



*FIG. 3*



*FIG. 4*



*FIG. 5*