



US00D791583S

(12) **United States Design Patent**
Griffin

(10) **Patent No.:** **US D791,583 S**

(45) **Date of Patent:** **** Jul. 11, 2017**

- (54) **GUTTER HANGER BRACKET**
- (71) Applicant: **Brandon Griffin**, Addison, TX (US)
- (72) Inventor: **Brandon Griffin**, Addison, TX (US)
- (**) Term: **15 Years**
- (21) Appl. No.: **29/561,179**
- (22) Filed: **Apr. 14, 2016**
- (51) **LOC (10) Cl.** **08-05**
- (52) **U.S. Cl.**
USPC **D8/373**
- (58) **Field of Classification Search**
USPC D8/354, 373, 381, 323, 363, 72, 349, 16;
D14/451, 452; D24/152; D25/119,
D25/121.1, 124, 125, 136, 138; 248/48.1,
248/48.2, 231.9
CPC ... B65F 15/00; E04D 13/0725; E04D 13/076;
B25B 9/02
See application file for complete search history.

- 6,726,155 B1 * 4/2004 Zimmerman E04D 13/0725
248/48.1
- 6,804,869 B1 * 10/2004 Tong B25B 9/02
29/426.1
- D502,387 S * 3/2005 Hyakkoku D8/354
- D517,402 S * 3/2006 Cairns D8/381
- D541,636 S * 5/2007 Walker D8/373
- 7,494,095 B2 * 2/2009 Walker E04D 13/0725
248/48.2
- D622,114 S * 8/2010 Balliet D8/16
- D627,886 S * 11/2010 Williamson D24/152
- D715,310 S * 10/2014 Stifal D14/451
- D729,043 S * 5/2015 Poppell D8/354
- D767,577 S * 9/2016 Kulkarni D14/452
- D770,879 S * 11/2016 Quinn D8/323
- D775,629 S * 1/2017 Xiang D14/452

* cited by examiner

Primary Examiner — Manpreet Matharu
Assistant Examiner — Yolanda Robinson
(74) *Attorney, Agent, or Firm* — Walter Legal, PLLC;
Kandace D. Walter

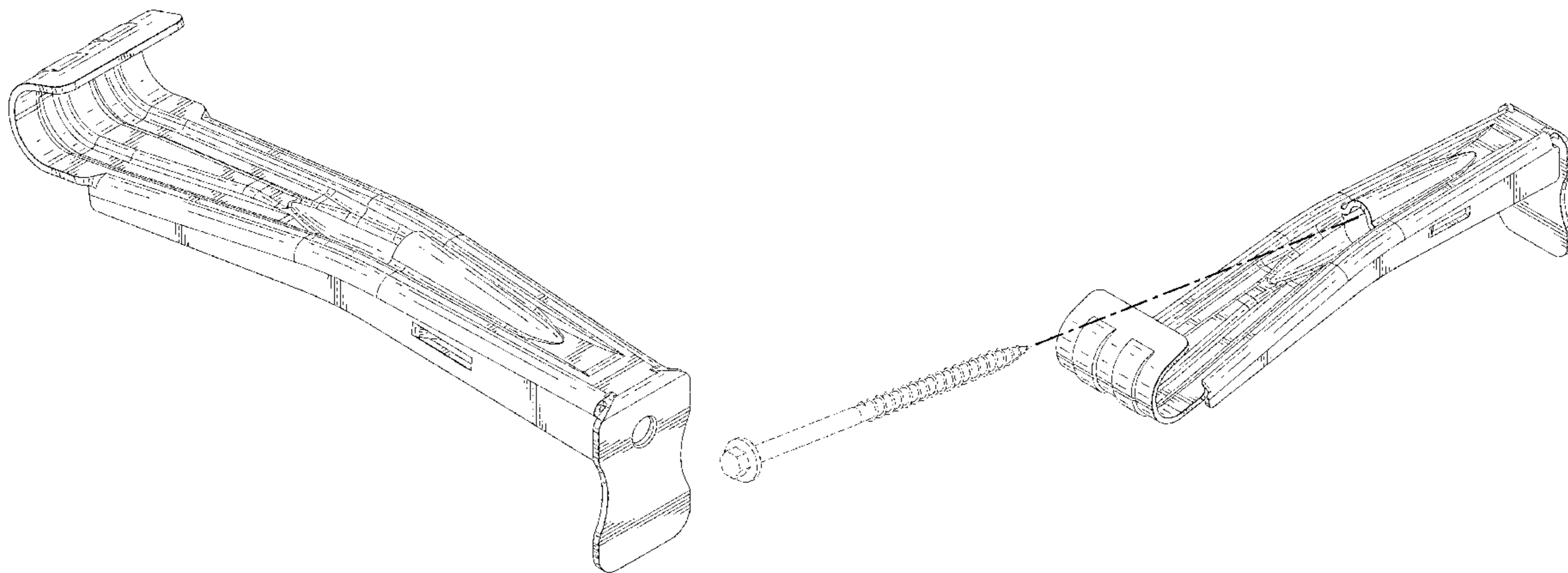
(57) **CLAIM**

The ornamental design for a gutter hanger bracket, as shown and described.

DESCRIPTION

FIG. 1 is a top, rear perspective view of the gutter hanger bracket of my new design;
FIG. 2 is a side view thereof;
FIG. 3 is a rear elevational view thereof;
FIG. 4 is a bottom plan view thereof; and,
FIG. 5 is a top, front perspective view thereof, the nail being shown in dashed lines depicts environmental subject matter and forming no part of the invention thereof.

1 Claim, 4 Drawing Sheets



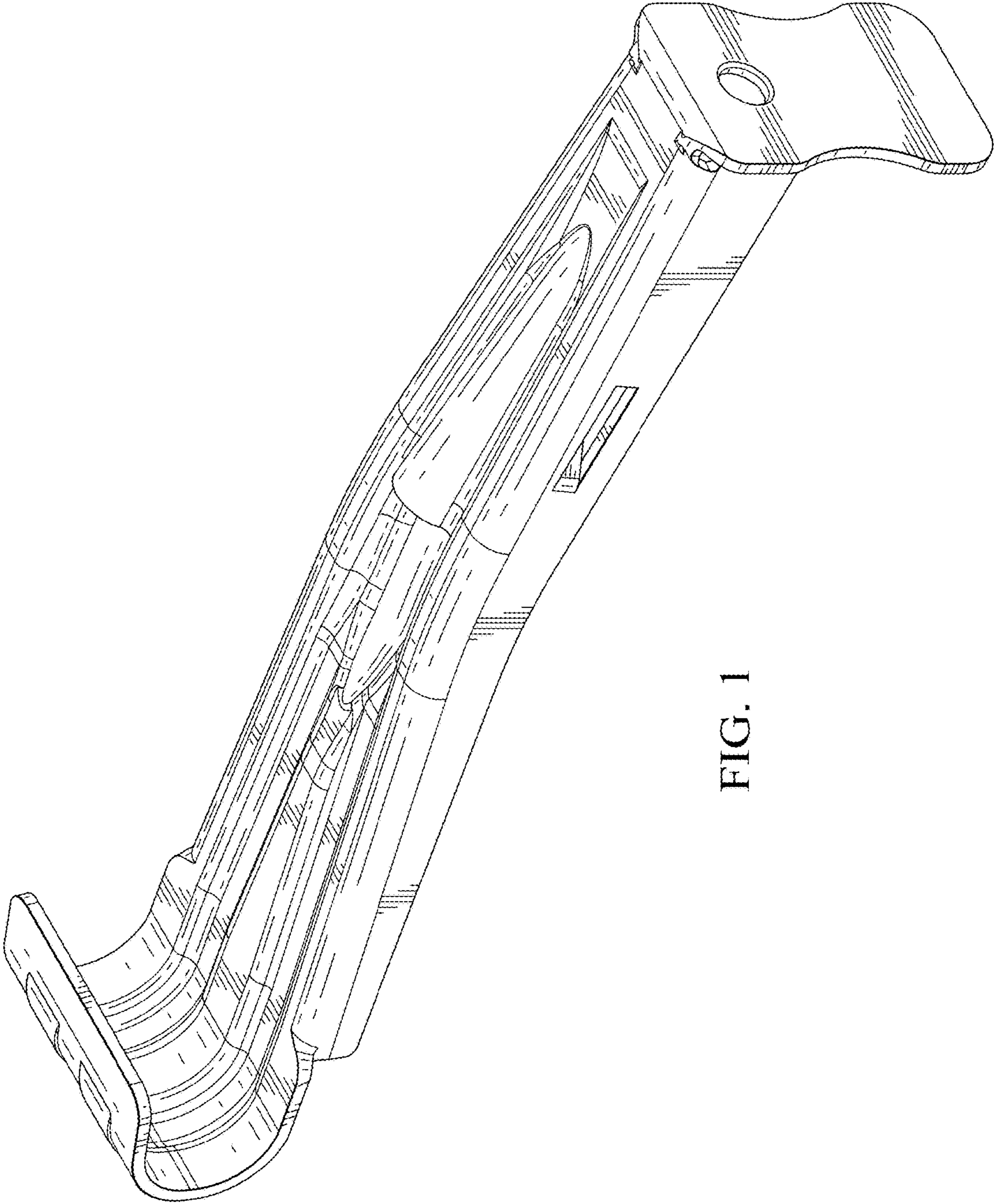


FIG. 1

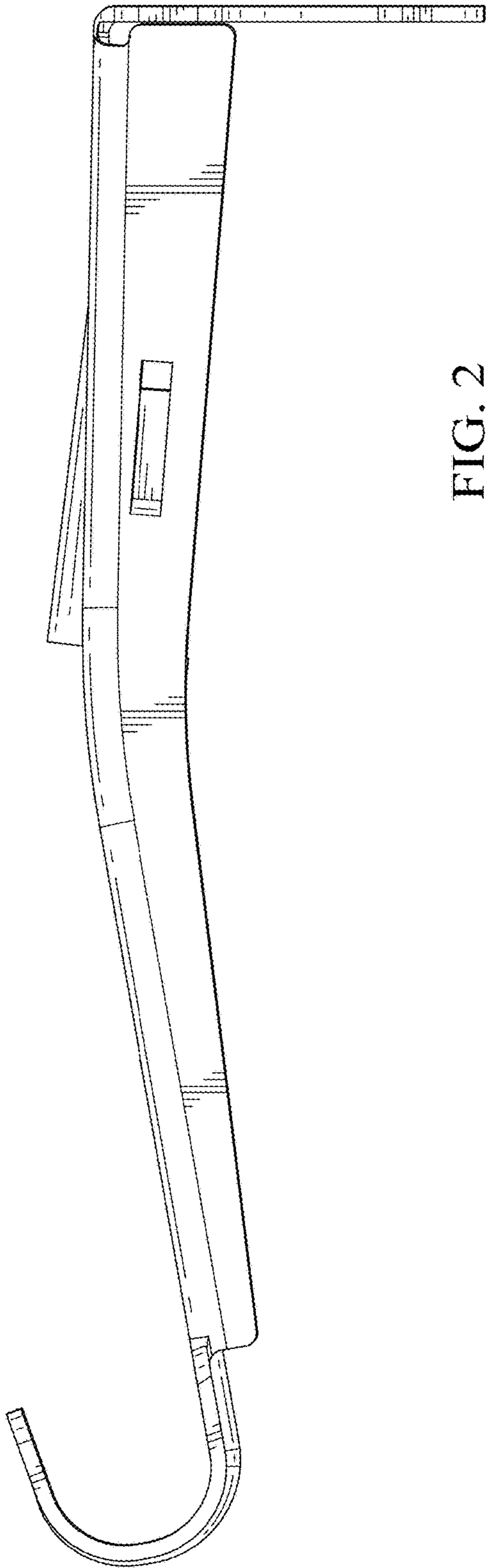


FIG. 2

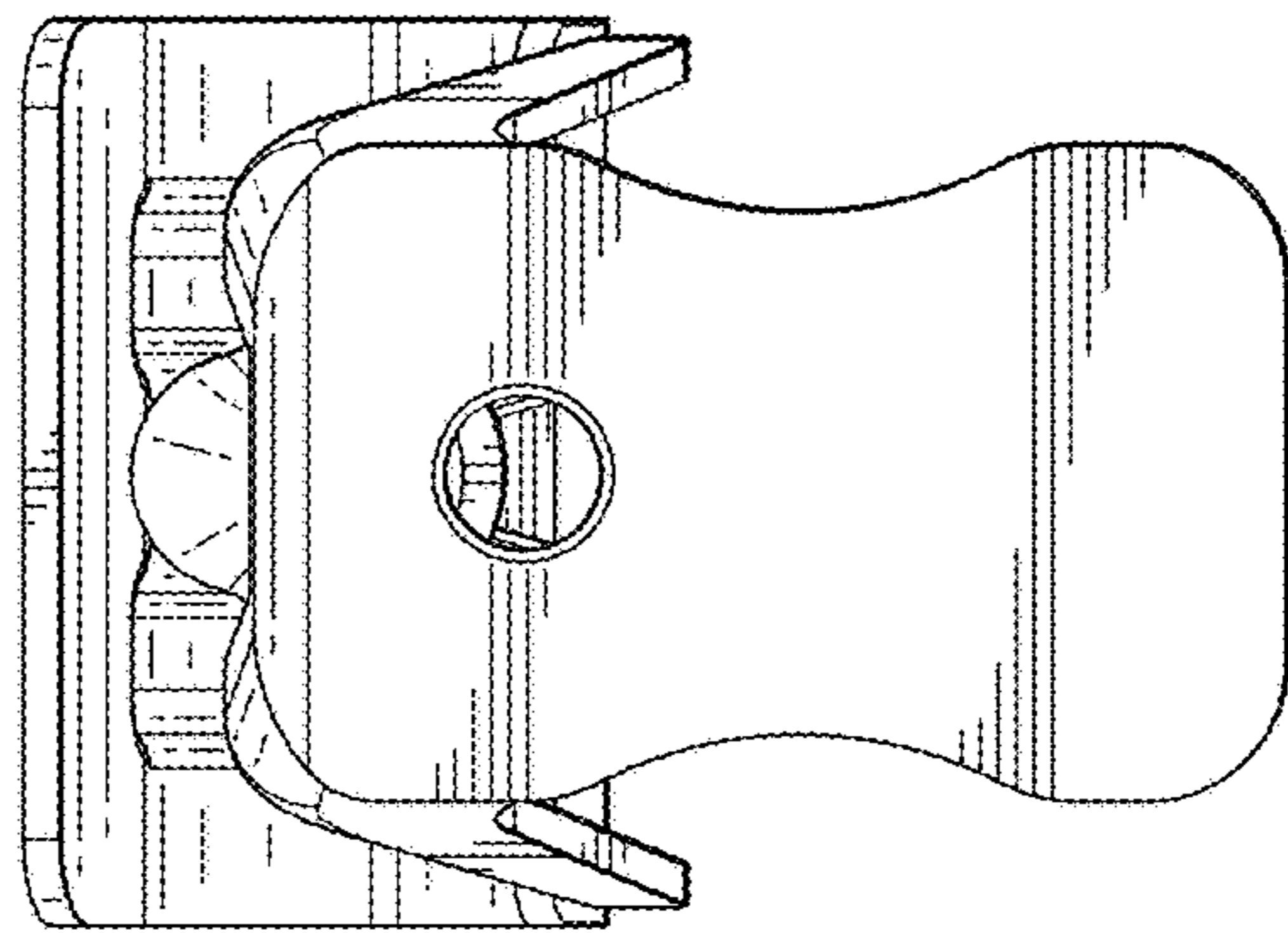


FIG. 3

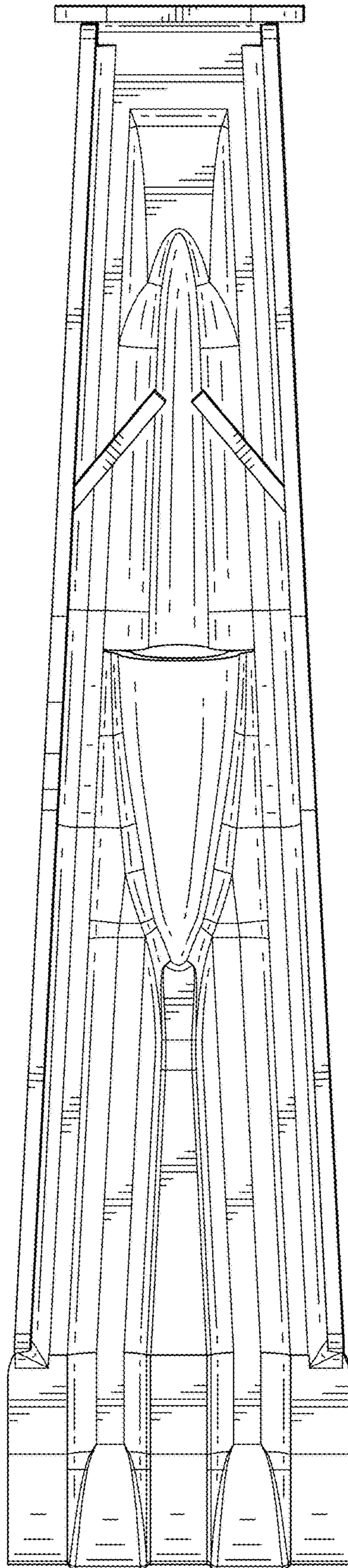


FIG. 4

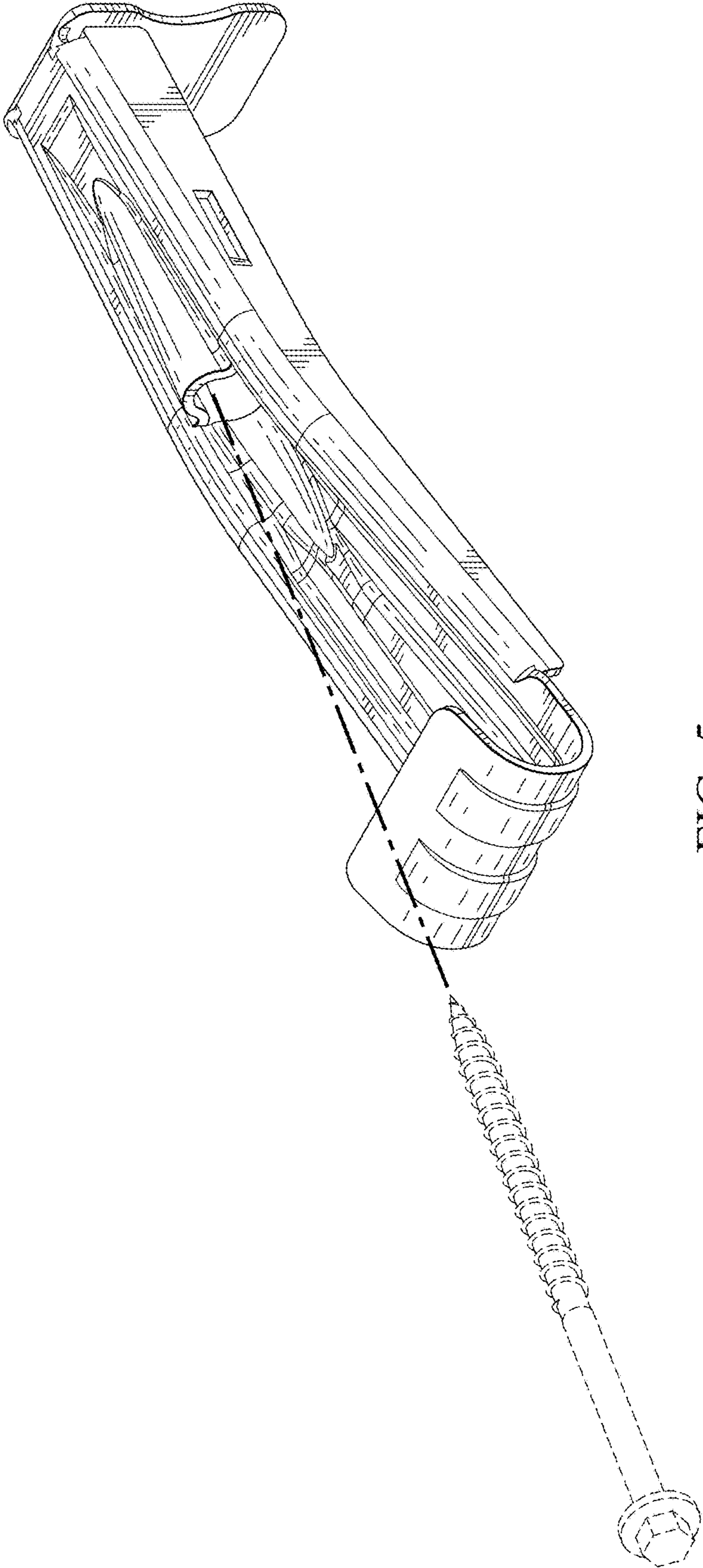


FIG. 5