



US00D791580S

(12) **United States Design Patent**  
**Chou**

(10) **Patent No.:** **US D791,580 S**

(45) **Date of Patent:** **\*\* Jul. 11, 2017**

(54) **ANGLE BRACKET**

(71) Applicant: **Tser Wen Chou**, Yorba Linda, CA (US)

(72) Inventor: **Tser Wen Chou**, Yorba Linda, CA (US)

(\*\*) Term: **15 Years**

(21) Appl. No.: **29/557,300**

(22) Filed: **Mar. 8, 2016**

(30) **Foreign Application Priority Data**

Sep. 25, 2015 (TW) ..... 104215509

(51) **LOC (10) Cl.** ..... **08-05**

(52) **U.S. Cl.**  
USPC ..... **D8/354**

(58) **Field of Classification Search**  
USPC ..... D8/354, 373, 380  
CPC ... B60J 7/0435; B60J 7/061; B60J 7/10; B60J  
7/11; B60J 7/1635; B60J 7/1858; B60J  
7/194; B60J 7/20  
See application file for complete search history.

(56) **References Cited**

**U.S. PATENT DOCUMENTS**

D288,615 S \* 3/1987 Hardy ..... D25/119  
D342,326 S \* 12/1993 Hansson ..... D25/119

D462,601 S \* 9/2002 Chaney ..... D25/119  
D462,787 S \* 9/2002 Scalzott ..... D25/119  
D518,901 S \* 4/2006 Stackenwalt ..... D25/136  
D575,631 S \* 8/2008 Huang ..... D8/354  
D661,524 S \* 6/2012 Watts ..... D25/119  
D668,352 S \* 10/2012 Field ..... D25/119  
D693,483 S \* 11/2013 Krieger ..... E04B 2/30  
D25/119  
D731,275 S \* 6/2015 Hochman ..... D8/65  
D737,671 S \* 9/2015 Chou ..... D8/376  
D739,709 S \* 9/2015 Wright ..... D8/354  
D767,785 S \* 9/2016 Smith ..... D25/119

\* cited by examiner

*Primary Examiner* — Caron D Veynar

*Assistant Examiner* — Maria Edwards

(74) *Attorney, Agent, or Firm* — Guice Patents PLLC

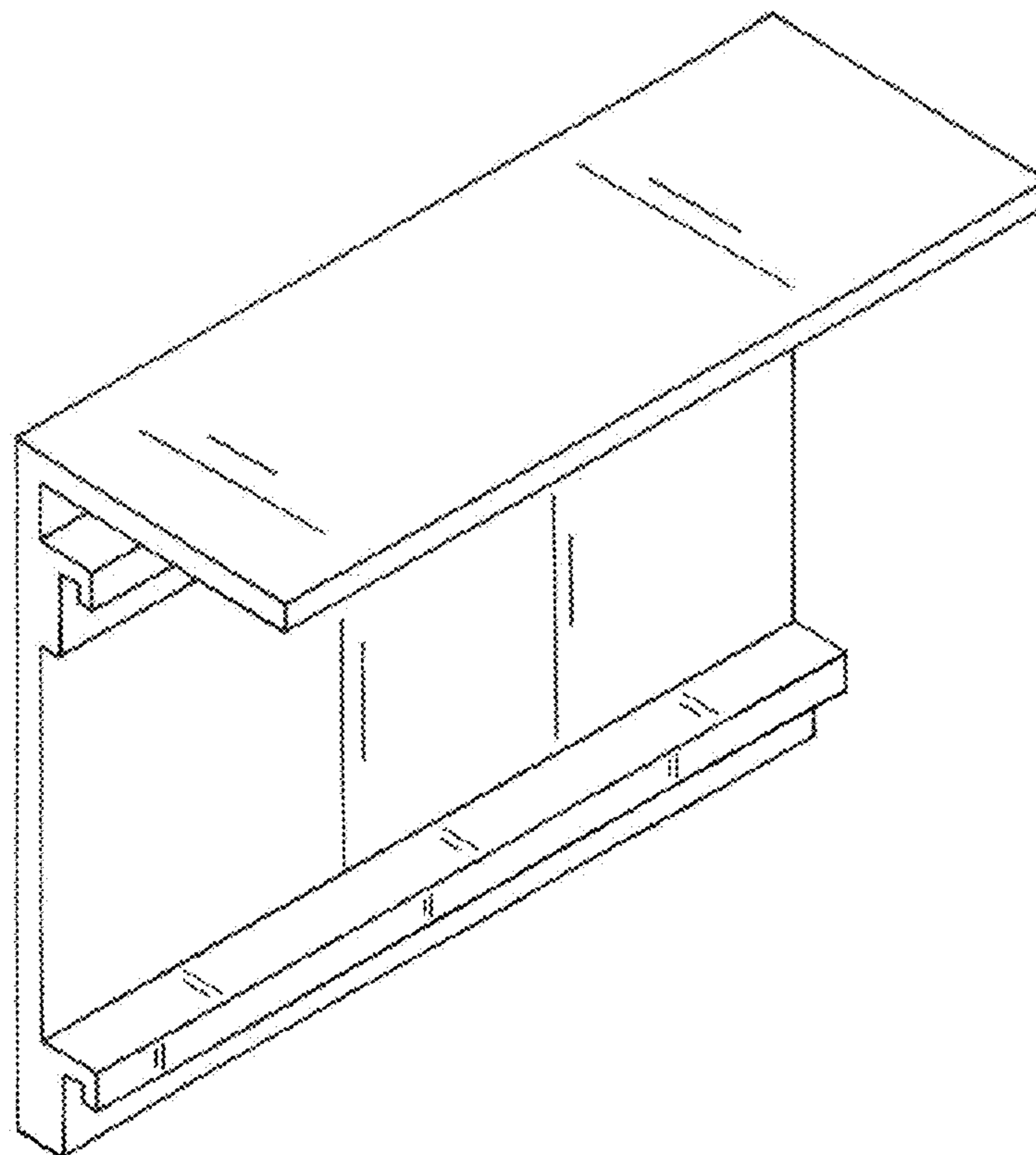
(57) **CLAIM**

The ornamental design for an angle bracket, as shown.

**DESCRIPTION**

FIG. 1 is a perspective view of an angle bracket;  
FIG. 2 is a front view thereof;  
FIG. 3 is a rear view thereof;  
FIG. 4 is a left side view thereof;  
FIG. 5 is a right side view thereof;  
FIG. 6 is a top view thereof; and,  
FIG. 7 is a bottom view thereof.

**1 Claim, 4 Drawing Sheets**



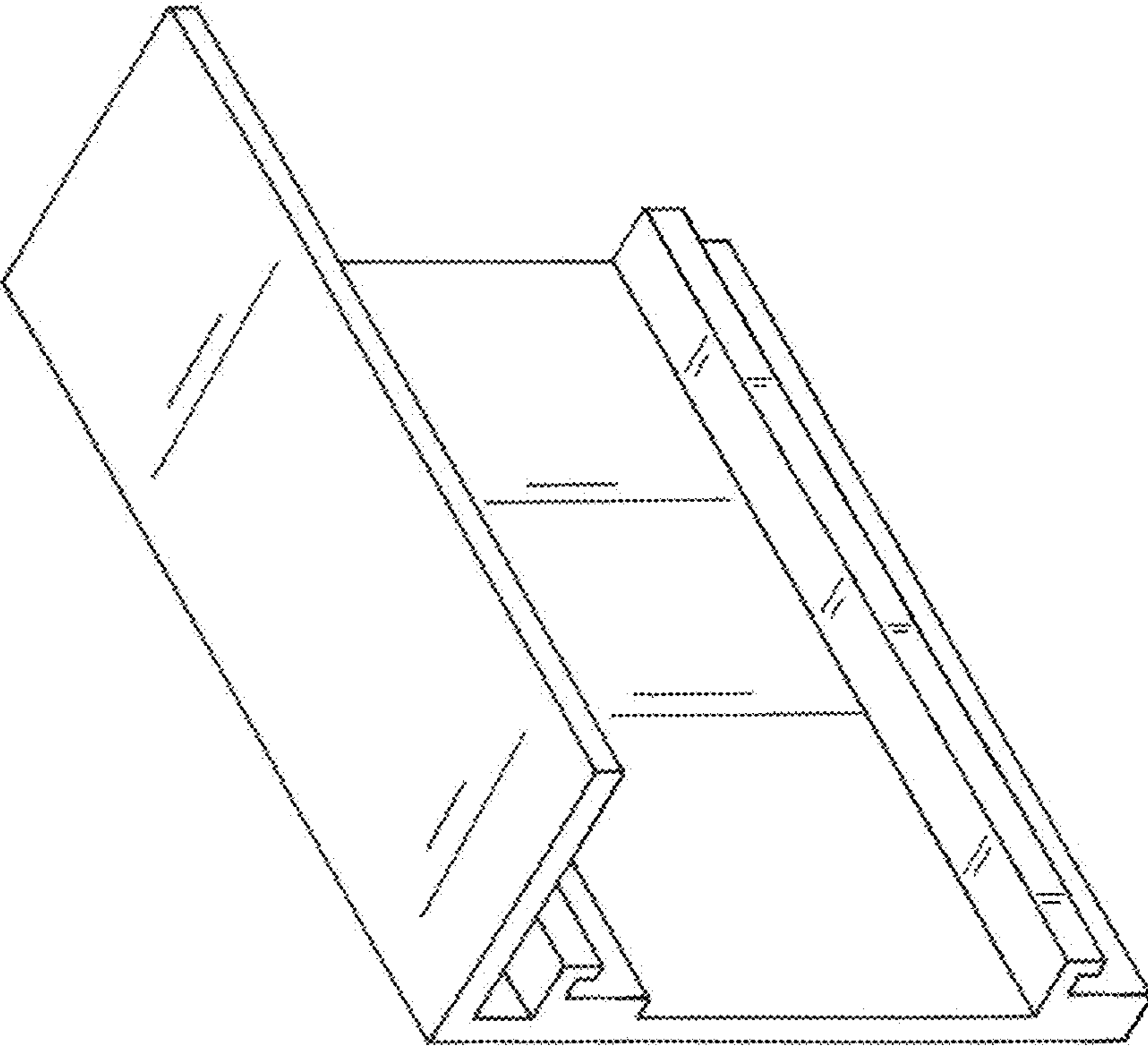


FIG.1

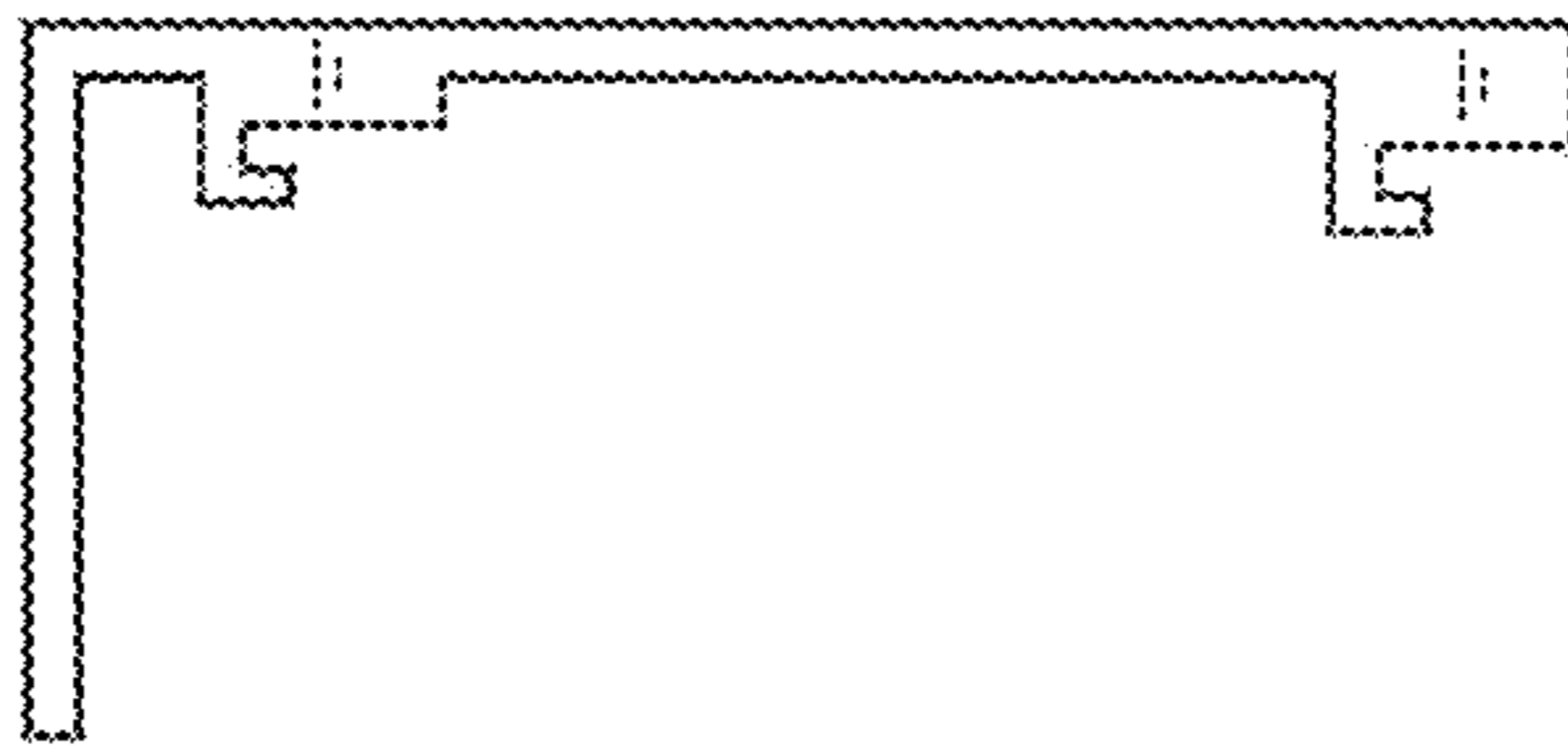


FIG. 3

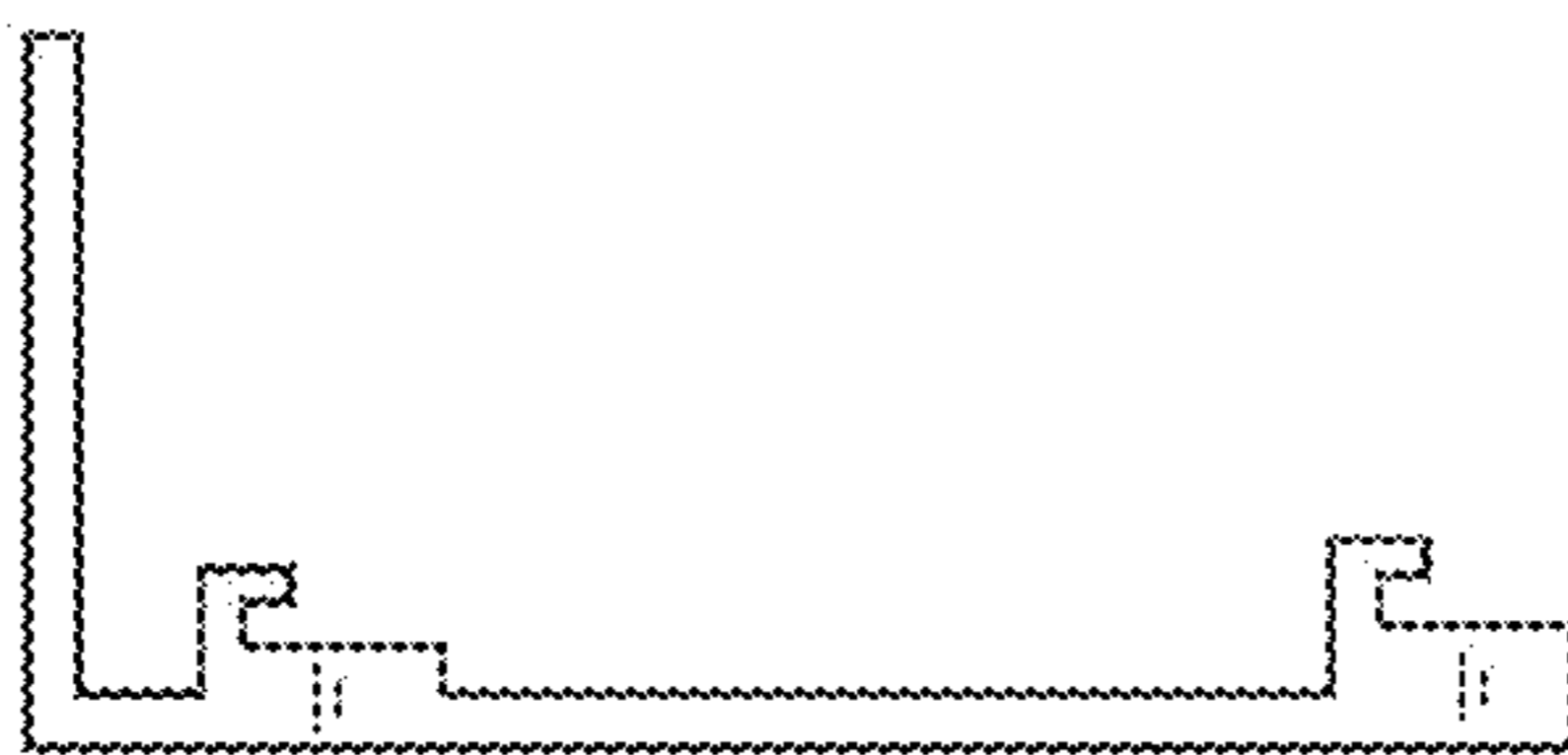


FIG. 2

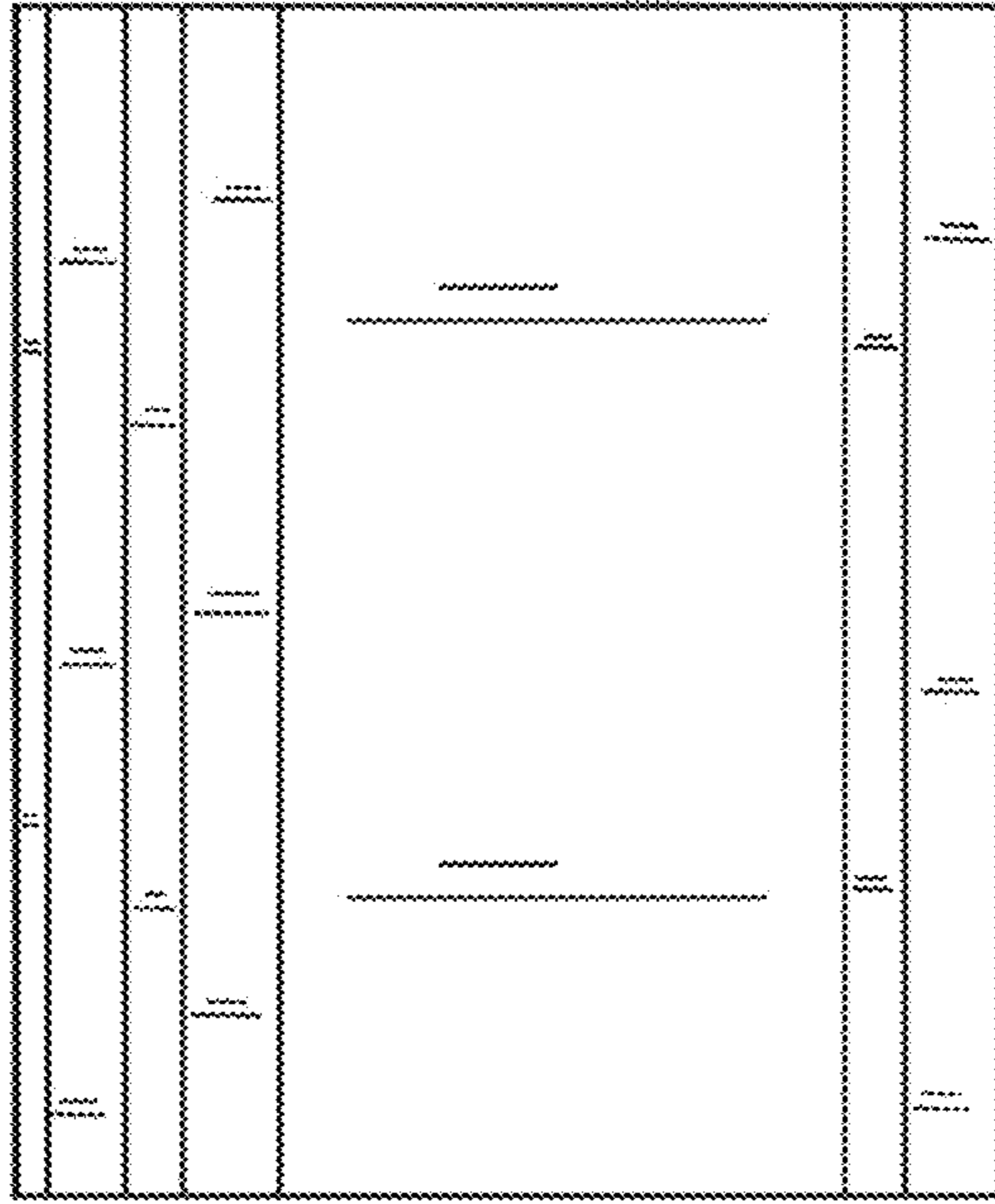


FIG.5

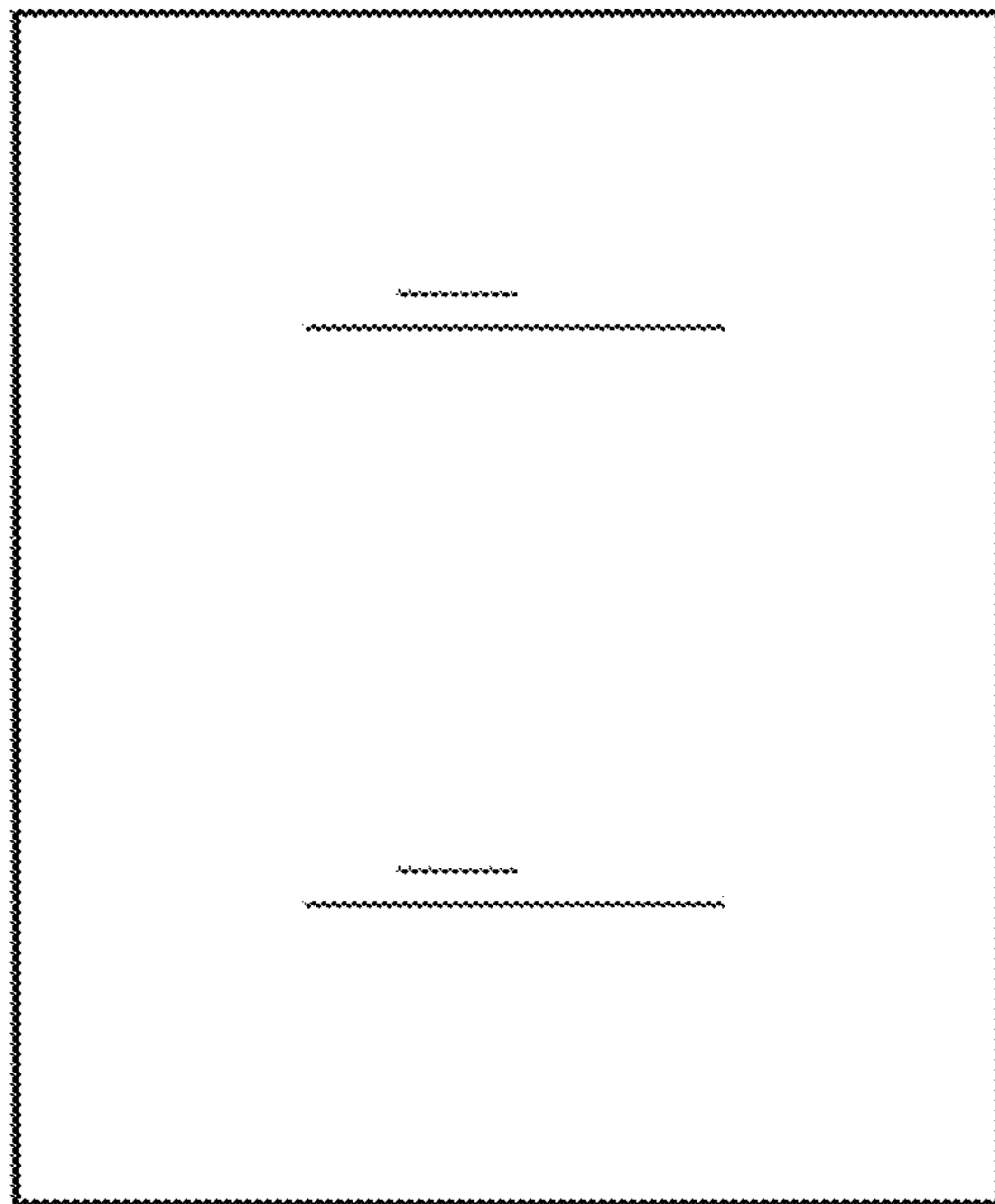


FIG.4

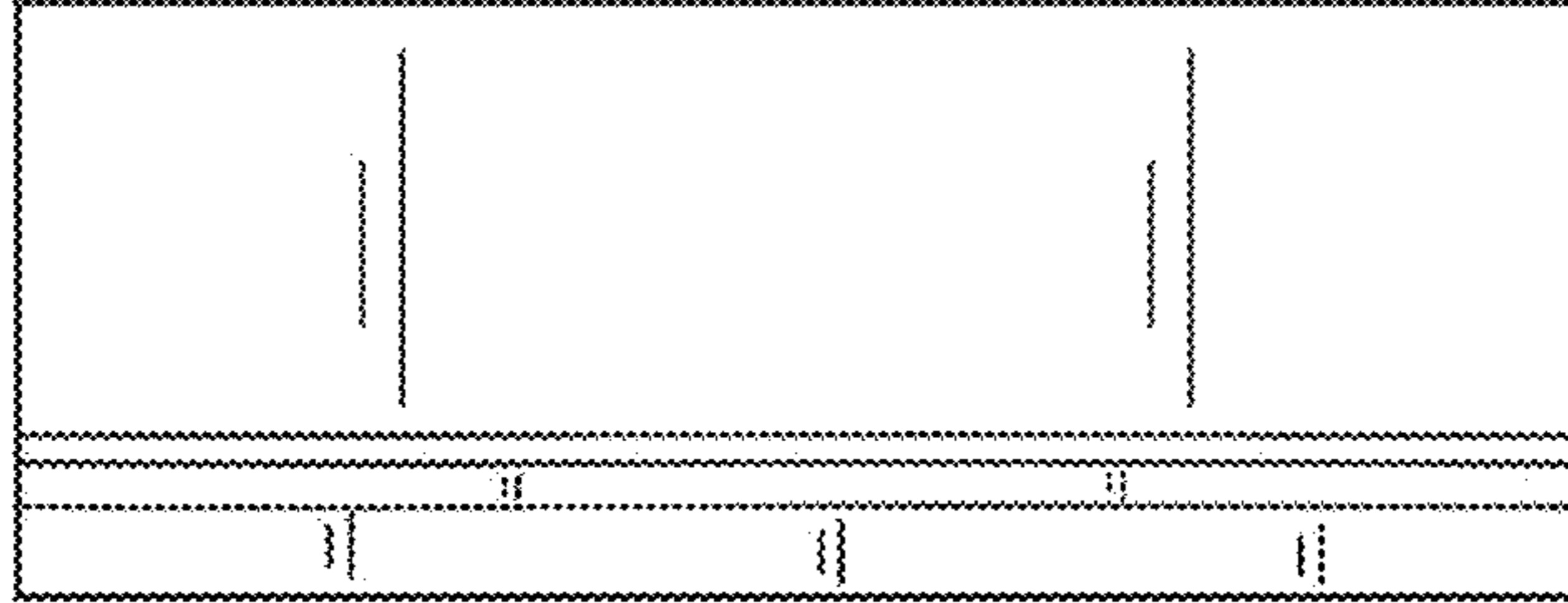


FIG. 7

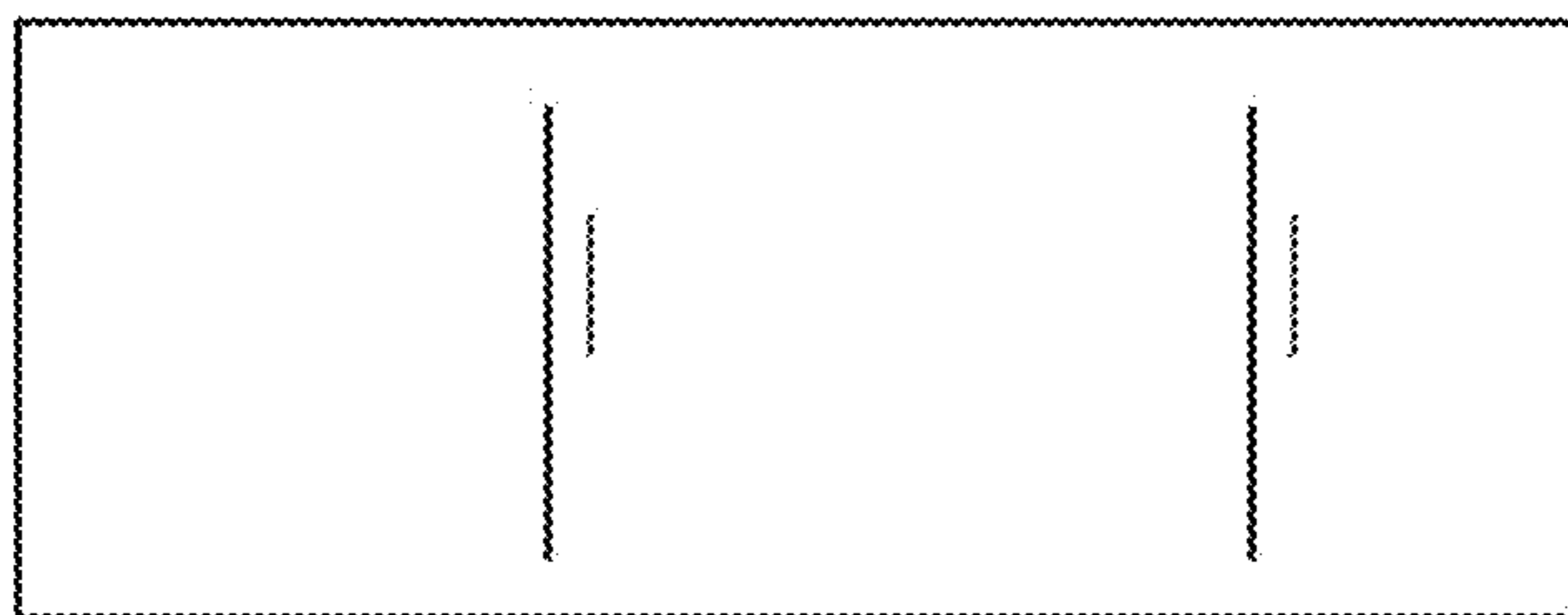


FIG. 6