

US00D791579S

(12) **United States Design Patent**
Perry et al.

(10) **Patent No.:** **US D791,579 S**
(45) **Date of Patent:** **** Jul. 11, 2017**

- (54) **CHAIR**
- (71) Applicants: **Jack Perry**, Silver Spring, MD (US);
Gregory Ewart, Kapoli, HI (US)
- (72) Inventors: **Jack Perry**, Silver Spring, MD (US);
Gregory Ewart, Kapoli, HI (US)
- (**) Term: **15 Years**
- (21) Appl. No.: **29/538,803**
- (22) Filed: **Sep. 8, 2015**
- (51) **LOC (10) Cl.** **08-05**
- (52) **U.S. Cl.**
USPC **D8/354**
- (58) **Field of Classification Search**
USPC D8/354, 349, 380, 384; D25/199;
248/440; 52/677, 678, 679, 682, 684,
52/685, 686, 687, 745.21, 688, 689;
404/134, 135, 136
CPC E04C 5/203; E04C 5/20
See application file for complete search history.

- D578,870 S * 10/2008 Sorkin D8/354
- 7,451,580 B2 * 11/2008 Kelly E04C 5/20
52/637
- D594,737 S * 6/2009 Kelly D6/349
- 8,028,490 B2 * 10/2011 Kelly E04C 5/20
52/637
- 8,322,108 B2 * 12/2012 Lee E04C 5/08
52/677
- 8,863,468 B1 * 10/2014 Perry E04C 5/20
52/686
- D719,817 S * 12/2014 Perry D8/354
- D738,195 S * 9/2015 Perry D8/354
- 2013/0125498 A1 * 5/2013 Lowery E04C 5/203
52/677

* cited by examiner

Primary Examiner — Lakiya Rogers
Assistant Examiner — Harold E Blackwell, II
(74) *Attorney, Agent, or Firm* — Garcia-Zamor IP Law;
Ruy M. Garcia-Zamor

(57) **CLAIM**

The ornamental design for a chair, as shown and described.

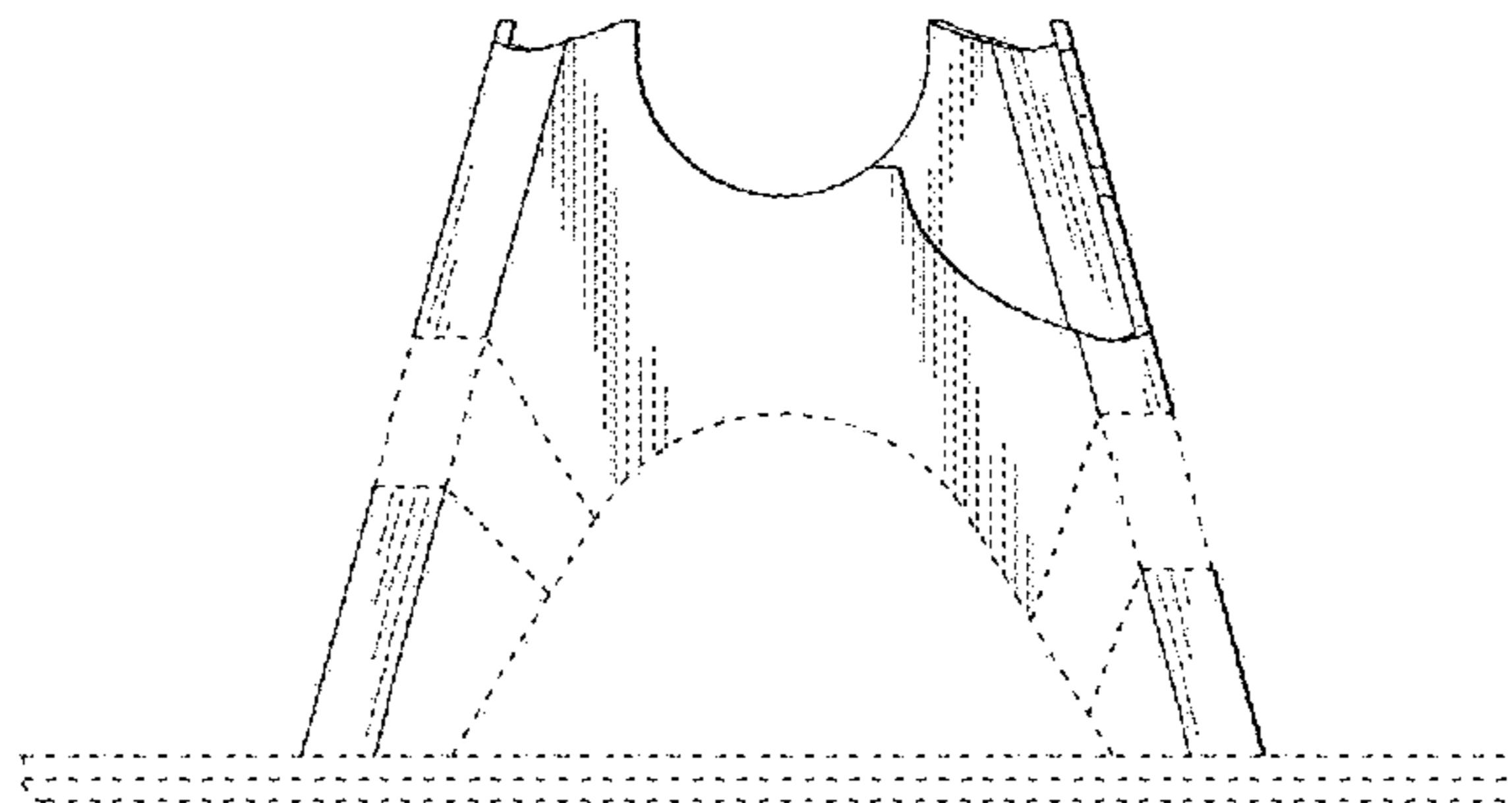
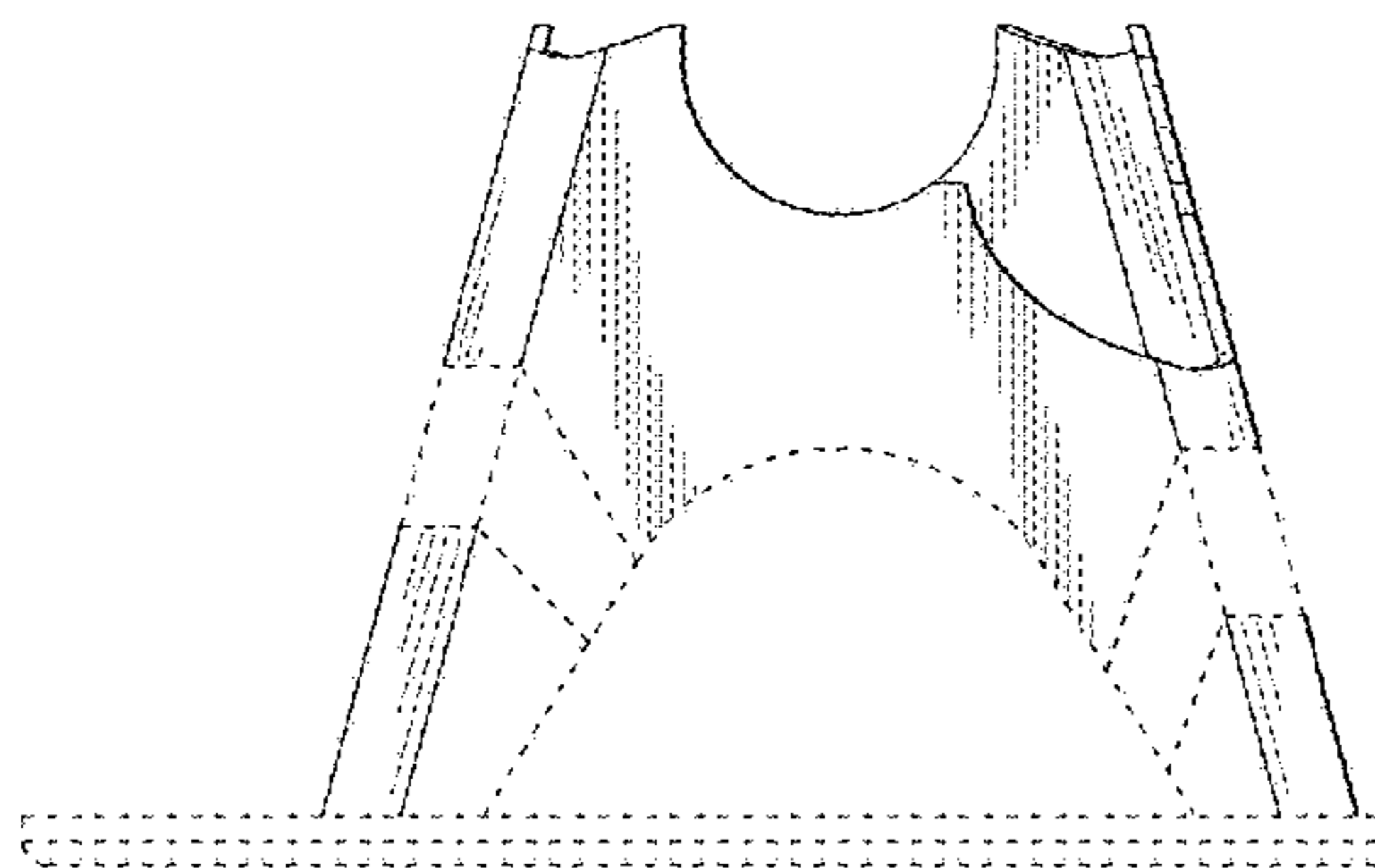
DESCRIPTION

FIG. 1 is a front elevational view of a chair according to the present invention;
FIG. 2 is a rear elevational view of the chair of FIG. 1;
FIG. 3 is a right side elevational view of the chair of FIG. 1;
FIG. 4 is a left side elevational view of the chair of FIG. 1; and,
FIG. 5 is a top plan view of the chair of FIG. 1.
The broken line showing of the chair in FIGS. 1-5 illustrates the environment of the claimed design and forms no part thereof. The bottom plan view of the chair is disclaimed as forming no part of the claimed invention.

1 Claim, 3 Drawing Sheets

(56) **References Cited**
U.S. PATENT DOCUMENTS

5,107,654 A	4/1992	Leonardia	
D334,133 S	3/1993	Hartzheim	
D388,312 S	12/1997	Sorkin	
5,729,949 A	3/1998	Hartzheim	
D394,200 S	5/1998	Hartzheim	
6,089,522 A	7/2000	Haslem et al.	
D491,443 S	6/2004	Lowery	
D500,668 S	1/2005	Kelly et al.	
7,237,367 B1	7/2007	Sorkin	
D548,053 S	8/2007	Erickson et al.	
D548,055 S	8/2007	Erickson et al.	
D548,056 S	8/2007	Erickson et al.	
7,278,613 B2	10/2007	Roy	
D578,379 S *	10/2008	Sorkin	D8/354



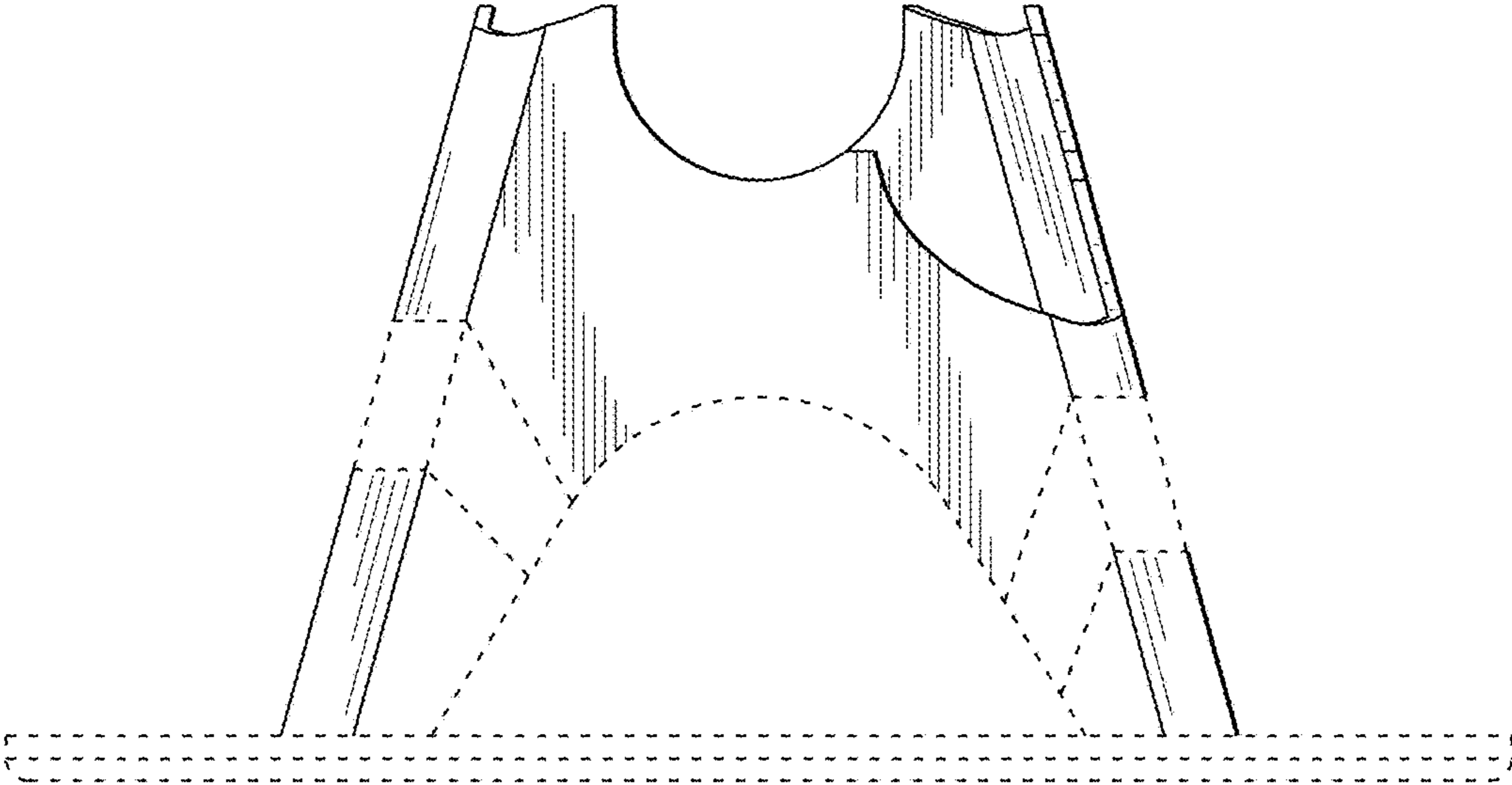


FIG. 1

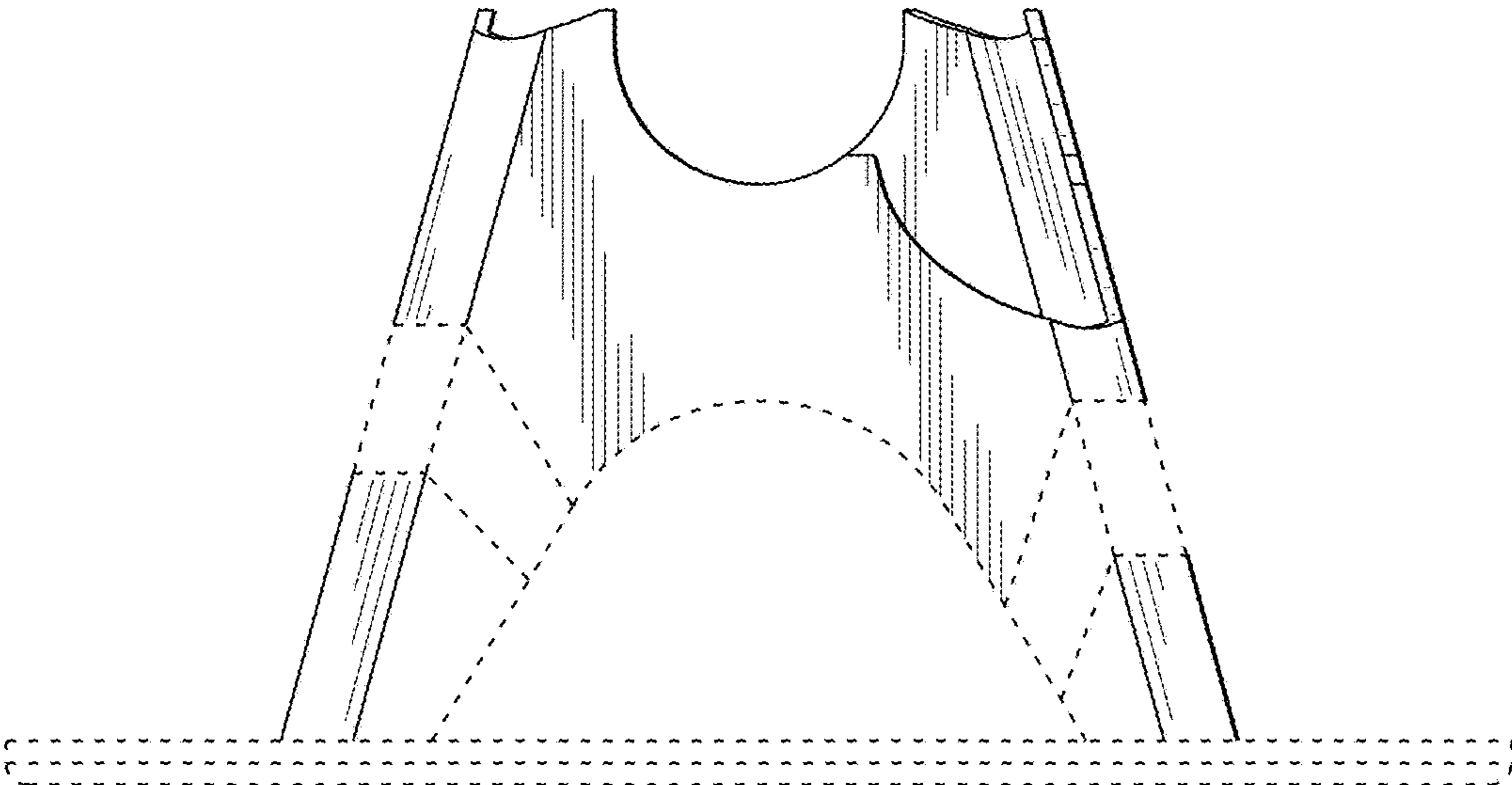


FIG. 2

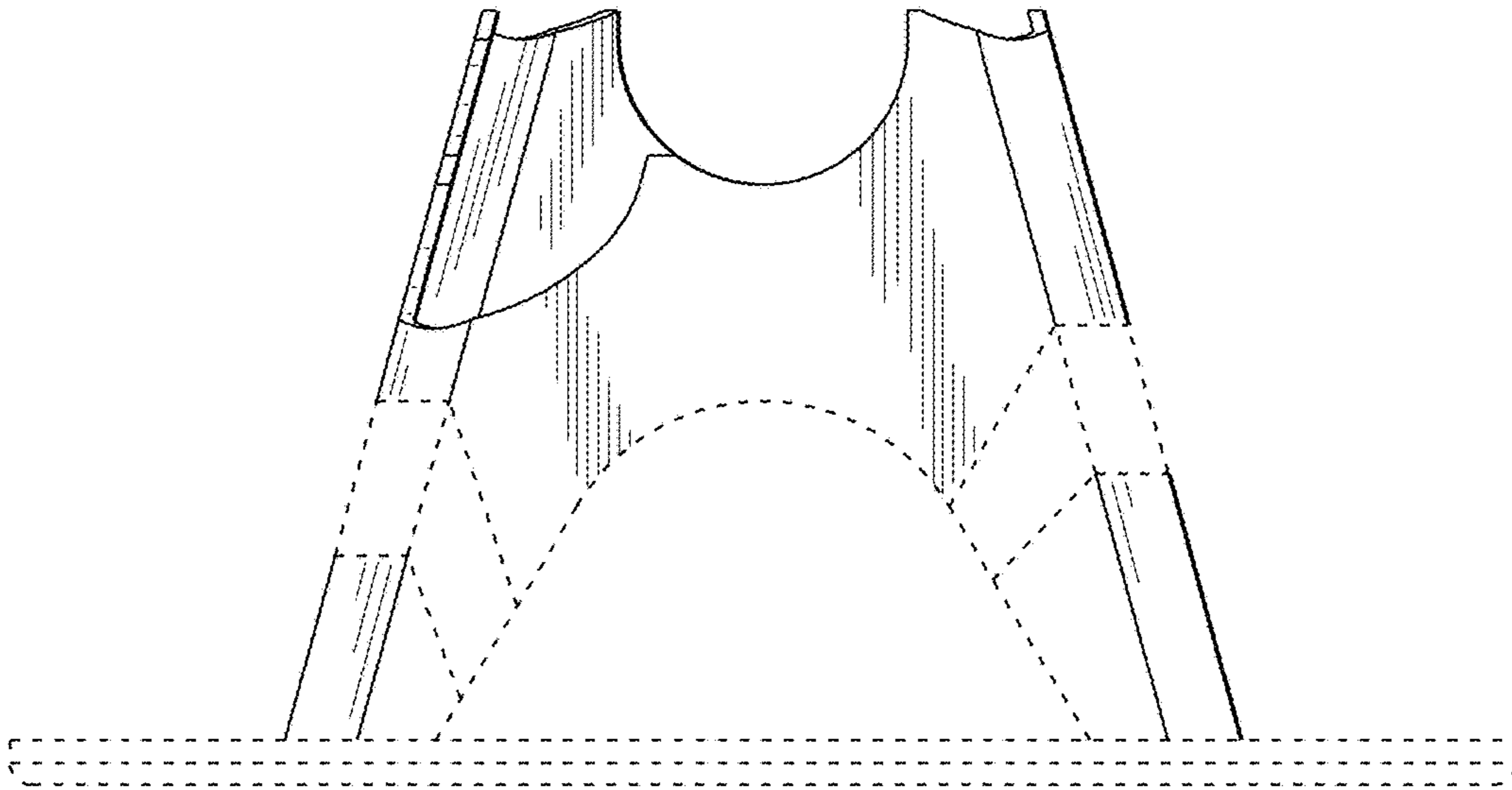


FIG. 3

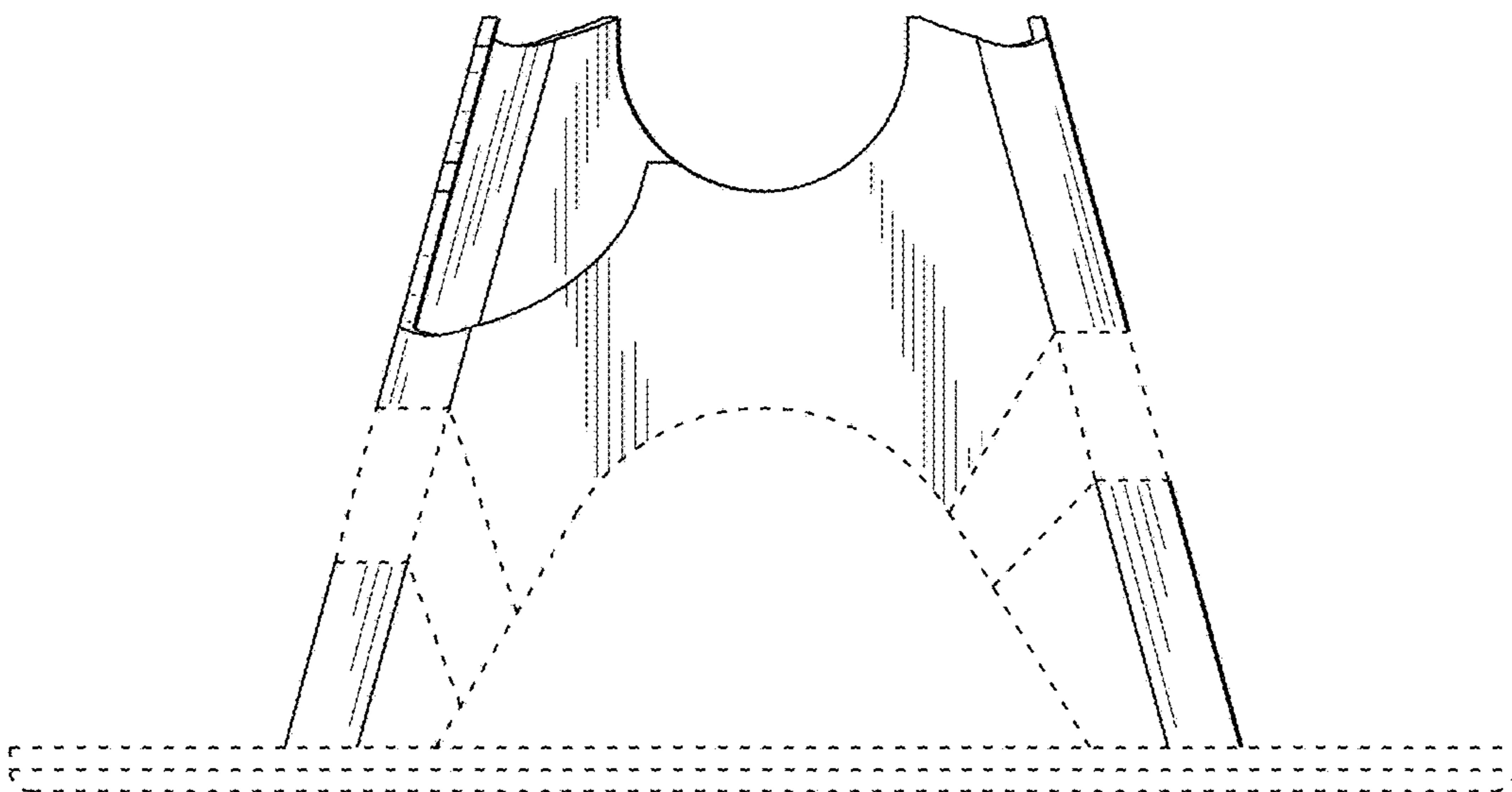


FIG. 4

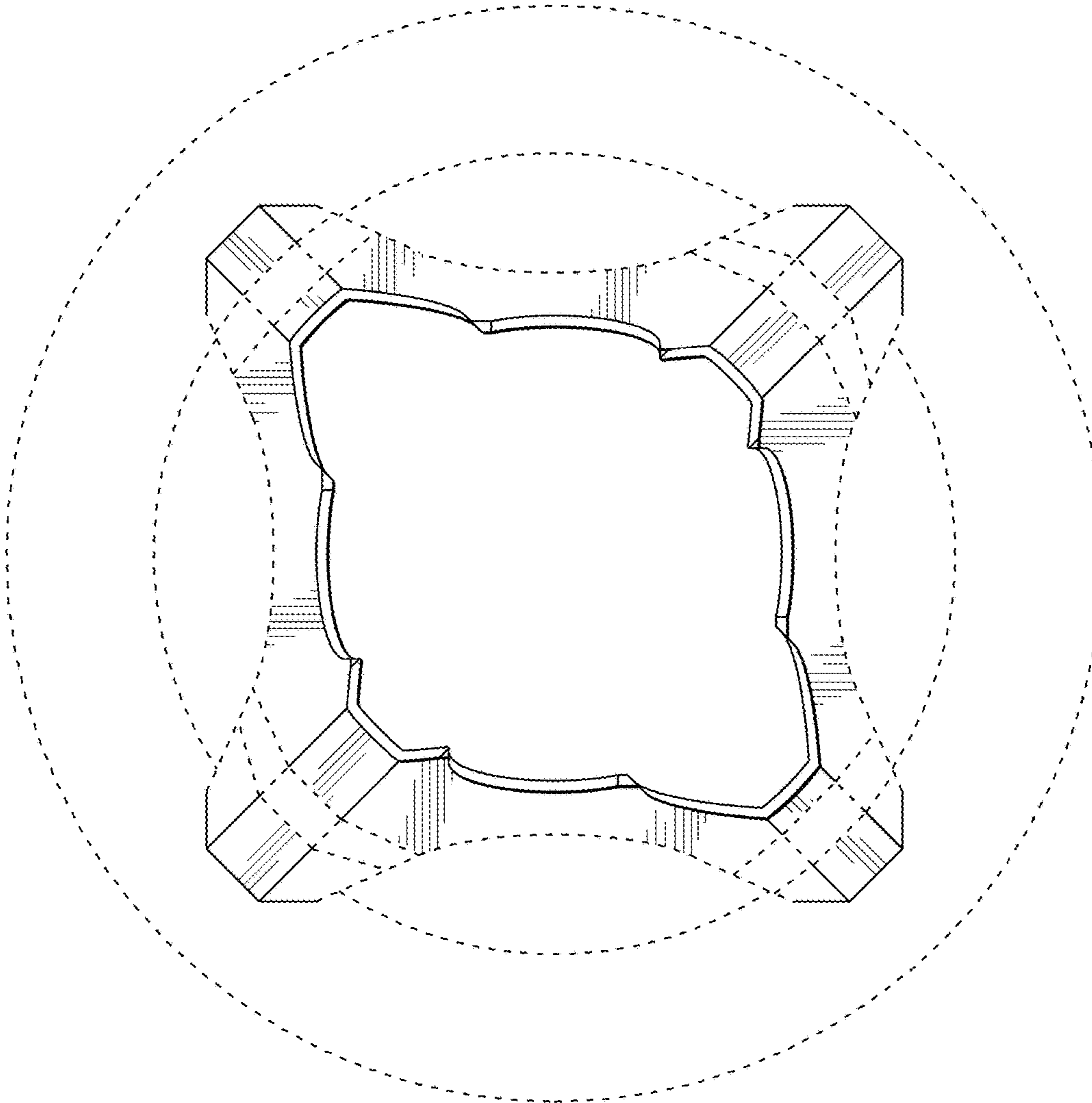


FIG. 5