



US00D791578S

(12) **United States Design Patent**  
**Royak**

(10) **Patent No.:** **US D791,578 S**  
(45) **Date of Patent:** **\*\* Jul. 11, 2017**

(54) **HANGER**  
(71) Applicant: **Jodie Royak**, Santee, CA (US)  
(72) Inventor: **Jodie Royak**, Santee, CA (US)  
(\*\*) Term: **15 Years**  
(21) Appl. No.: **29/535,794**  
(22) Filed: **Aug. 10, 2015**  
(51) **LOC (10) Cl.** ..... **08-05**  
(52) **U.S. Cl.**  
USPC ..... **D8/354**; D8/371; D8/373  
(58) **Field of Classification Search**  
USPC .... D8/16, 19, 349, 354, 355, 363, 364, 366,  
D8/370-373, 380; D6/313, 300; D20/42  
CPC . A47G 1/16; A47G 1/205; A47G 1/20; A47G  
1/1633; A47G 1/162; A47G 1/24; A47G  
1/164; A47G 1/1646; A47G 1/1606;  
A47G 1/1626; A47F 7/14; F16M 13/02;  
Y10T 29/49826; H04N 5/645  
See application file for complete search history.

4,496,128 A \* 1/1985 Larsen ..... A47G 1/162  
248/477  
D282,525 S \* 2/1986 Samson ..... D8/371  
4,775,129 A \* 10/1988 Gleisten ..... A47G 1/162  
248/493  
D302,108 S \* 7/1989 Fenton ..... D8/367  
4,871,140 A \* 10/1989 Hoskinson ..... A47G 1/162  
248/216.1  
D313,550 S \* 1/1991 Lorincz ..... D8/373  
D337,720 S \* 7/1993 Handwerger ..... D8/366  
5,267,718 A \* 12/1993 Sheehan ..... A47G 1/22  
248/217.3  
5,398,906 A 3/1995 Aydelott et al.  
5,433,416 A \* 7/1995 Johnson ..... B65D 23/003  
248/475.1  
5,605,313 A \* 2/1997 Erickson ..... A47G 1/1606  
248/467  
D397,927 S \* 9/1998 Roy ..... D8/373  
5,867,917 A 2/1999 Karon  
6,186,466 B1 2/2001 Baird

(Continued)

**FOREIGN PATENT DOCUMENTS**

WO WO2012068346 A2 5/2012

*Primary Examiner* — Mark Goodwin  
(74) *Attorney, Agent, or Firm* — Procopio Cory  
Hargreaves and Savitch LLP

(56) **References Cited**

**U.S. PATENT DOCUMENTS**

1,400,150 A \* 12/1921 Goble ..... A47G 1/22  
248/463  
2,652,998 A \* 9/1953 Miller ..... A47G 1/1606  
248/224.7  
3,031,159 A \* 4/1962 Waller ..... A47G 1/162  
248/496  
D235,308 S 6/1975 Clark  
3,990,670 A \* 11/1976 Frechtman ..... A47G 1/22  
248/463  
4,039,138 A \* 8/1977 Einhorn ..... A47G 1/20  
248/497  
4,040,149 A 8/1977 Einhorn  
D251,286 S \* 3/1979 Cook ..... D8/350  
4,171,117 A \* 10/1979 Prochaska ..... A47G 1/1613  
248/495  
D257,219 S \* 10/1980 Cook ..... D8/354

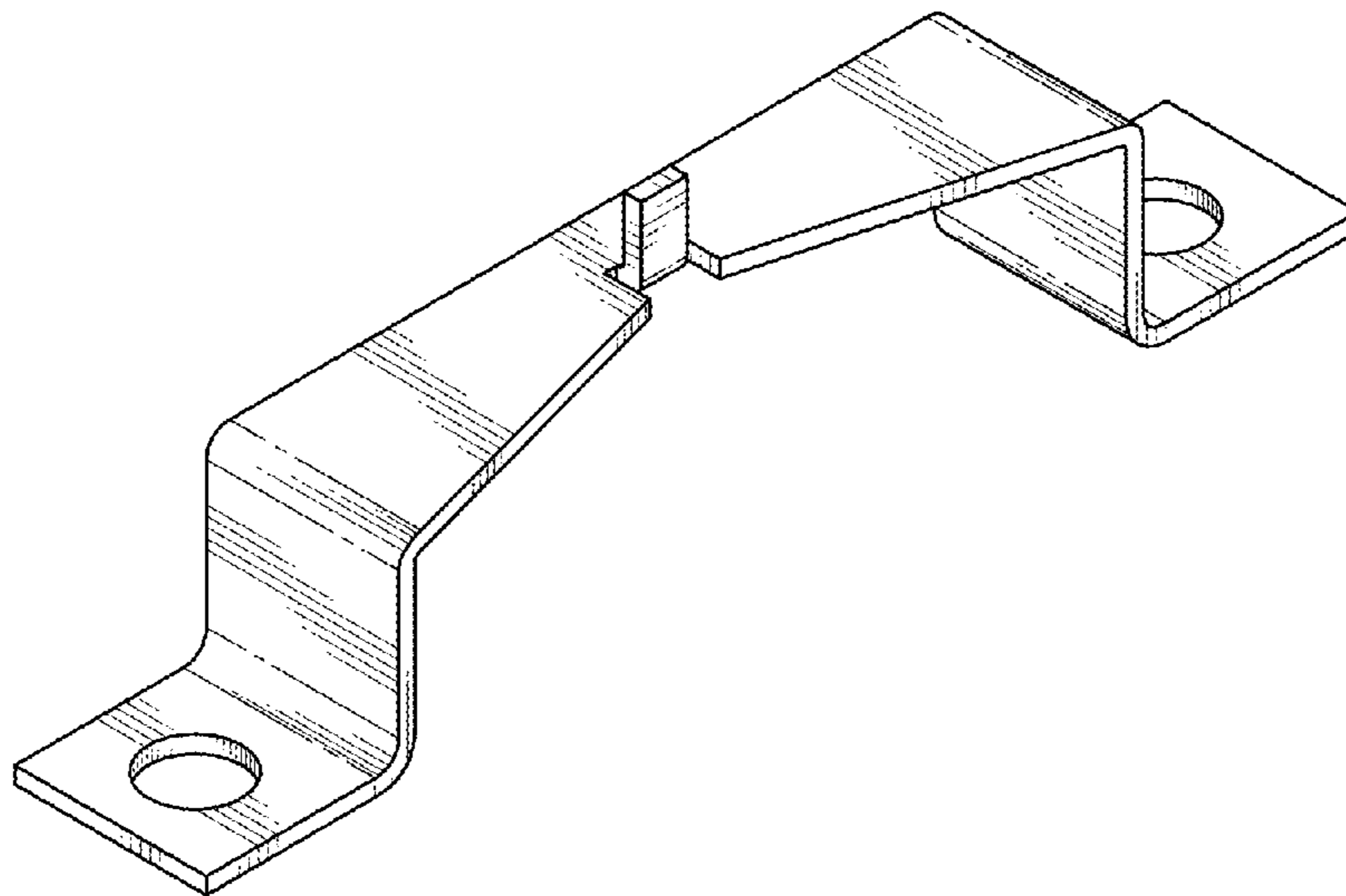
(57) **CLAIM**

The ornamental design for a hanger, as shown and described.

**DESCRIPTION**

FIG. 1 is a front perspective view of the hanger showing our new design;  
FIG. 2 is a rear perspective view of the hanger;  
FIG. 3 is a front elevational view of the hanger;  
FIG. 4 is a rear elevational view of the hanger;  
FIG. 5 is a left elevational view of the hanger;  
FIG. 6 is a right elevational view of the hanger;  
FIG. 7 is a top plan view of the hanger; and,  
FIG. 8 is a bottom plan view of the hanger.

**1 Claim, 3 Drawing Sheets**



(56)

**References Cited**

U.S. PATENT DOCUMENTS

D484,778	S *	1/2004	French	.....	D8/373
6,719,260	B1 *	4/2004	Hart	.....	A47G 1/168
					248/466
6,952,887	B2 *	10/2005	Muchnik	.....	B25H 7/045
					33/613
7,275,334	B2 *	10/2007	Horst	.....	A47G 1/205
					248/467
7,441,741	B2	10/2008	Wong		
7,497,028	B2 *	3/2009	Nevers	.....	A47G 1/1606
					33/613
D603,689	S *	11/2009	Cubides	.....	D8/373
7,655,318	B2 *	2/2010	Hall	.....	B44C 5/06
					248/220.21
D620,342	S *	7/2010	Mikkelsen	.....	D8/354
7,836,604	B2 *	11/2010	Paharik	.....	A47G 1/1606
					33/613
8,371,543	B2	2/2013	Schneider		
8,632,044	B2	1/2014	Cave		
8,740,171	B2	6/2014	Crescenzo		
8,807,499	B2 *	8/2014	Ripke	.....	B44C 5/02
					248/201
D717,636	S *	11/2014	Stanley	.....	D8/363
D760,066	S *	6/2016	Krenek	.....	D8/354
9,392,890	B1 *	7/2016	Royak	.....	A47G 1/205
2005/0006554	A1	1/2005	DeLine		
2006/0113454	A1 *	6/2006	Douglas	.....	A47G 1/162
					248/477
2006/0231721	A1	10/2006	Robic		
2012/0151811	A1	6/2012	Ivall		
2013/0232840	A1 *	9/2013	Miller	.....	A47G 1/162
					40/757

\* cited by examiner

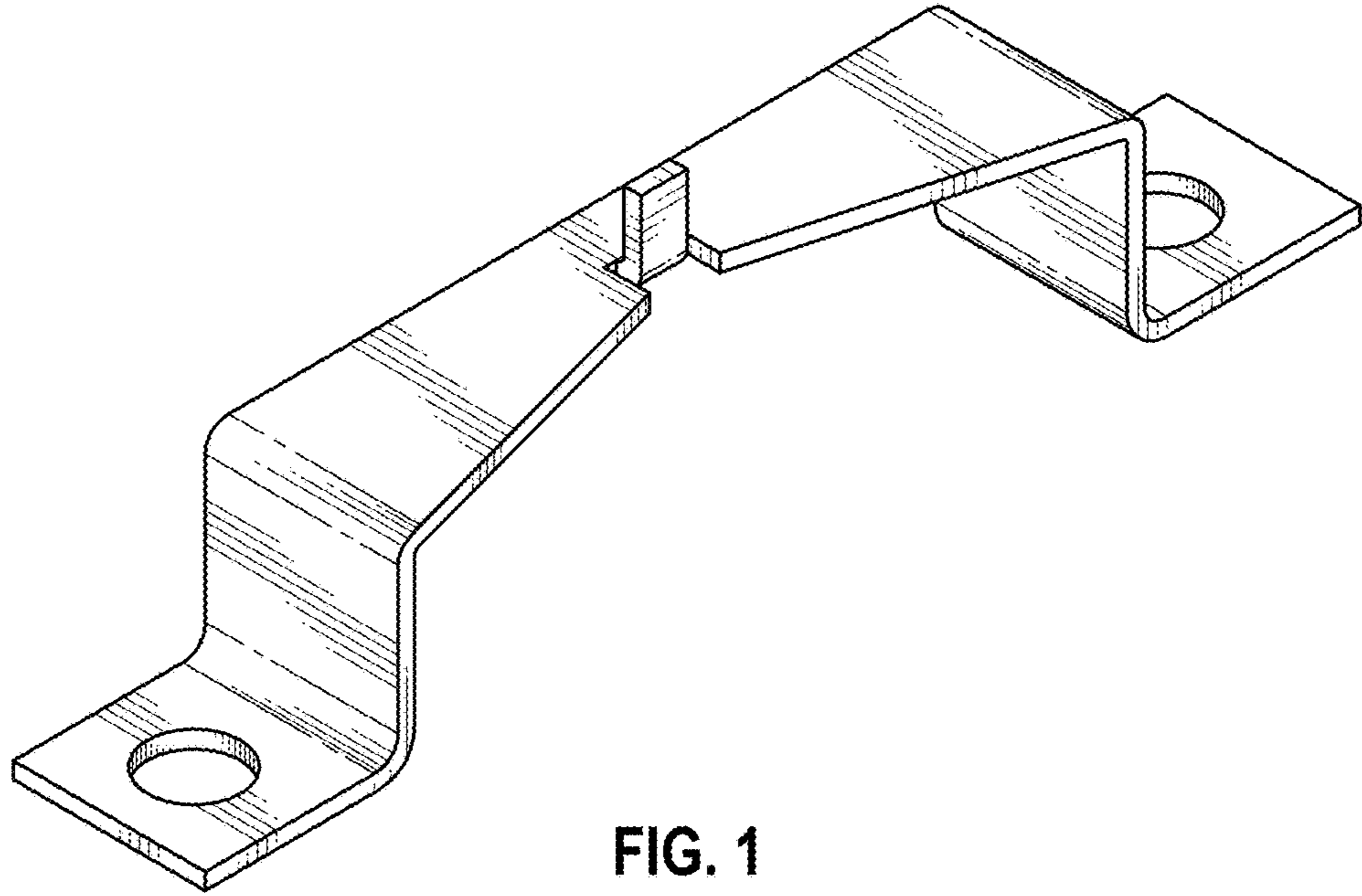


FIG. 1

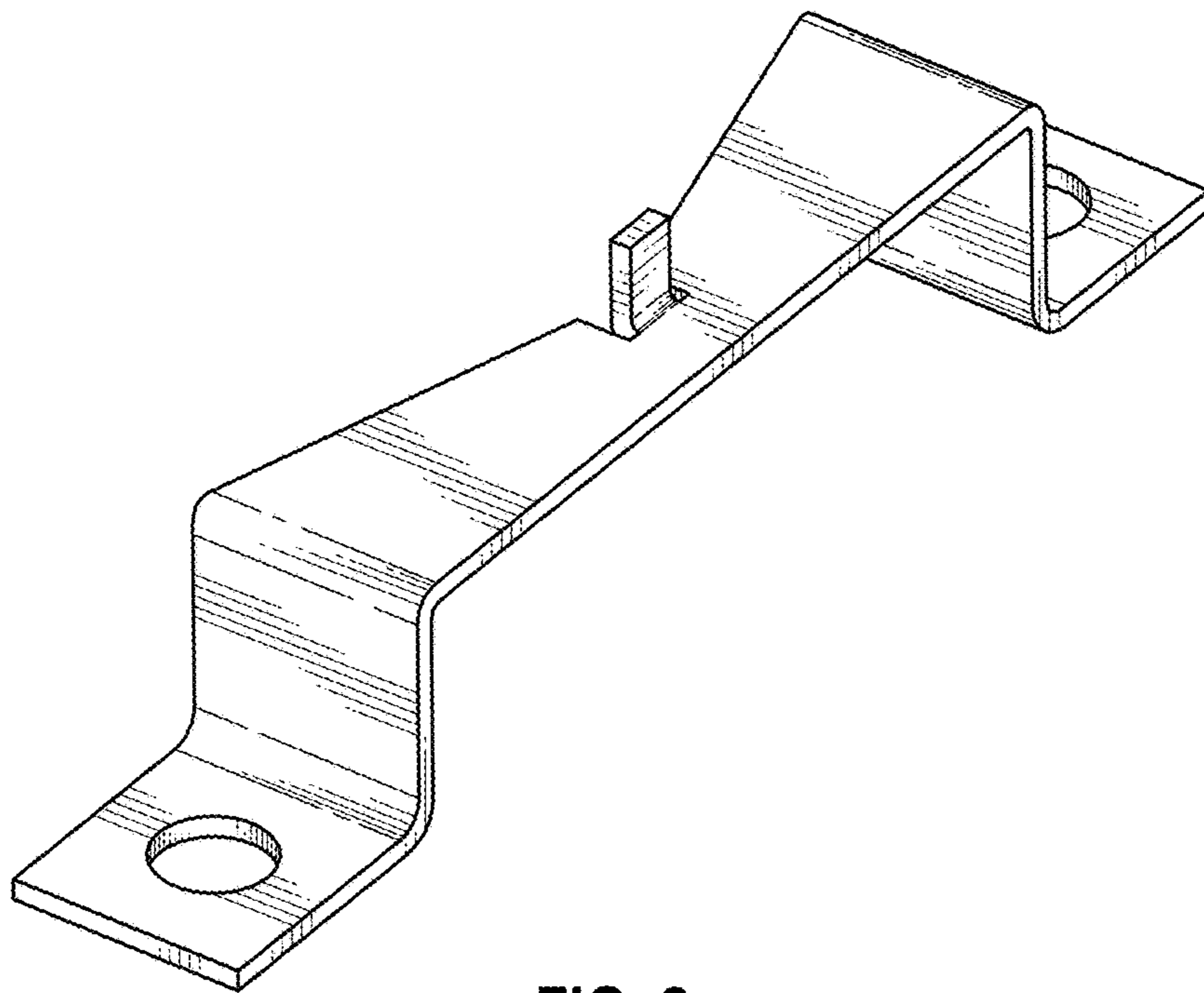


FIG. 2

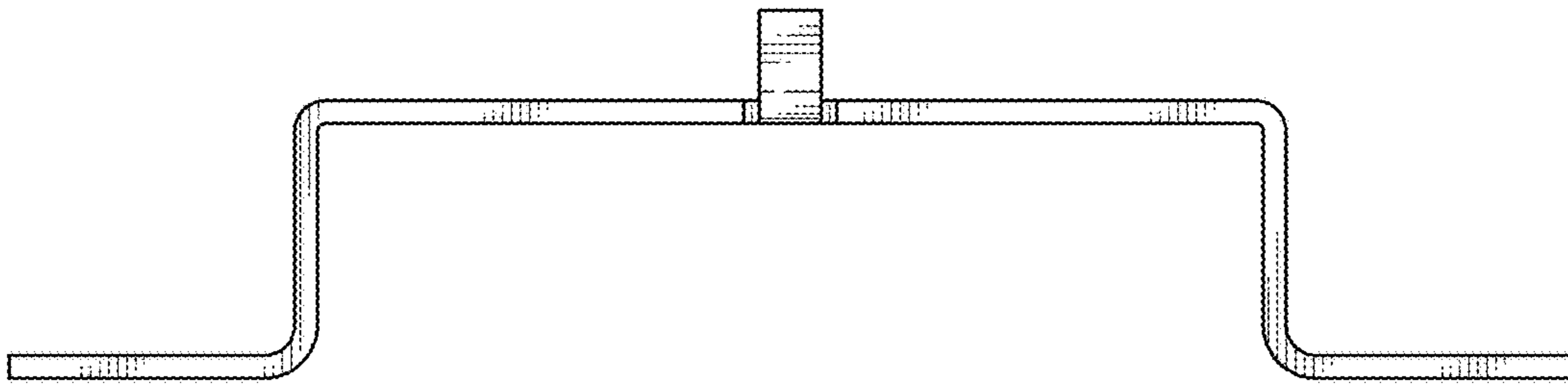


FIG. 3

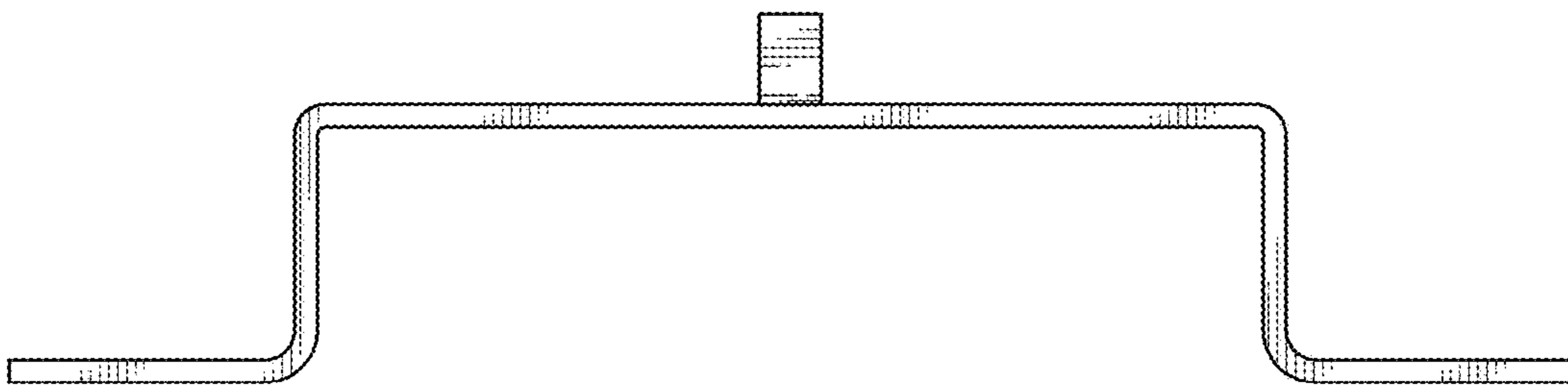


FIG. 4

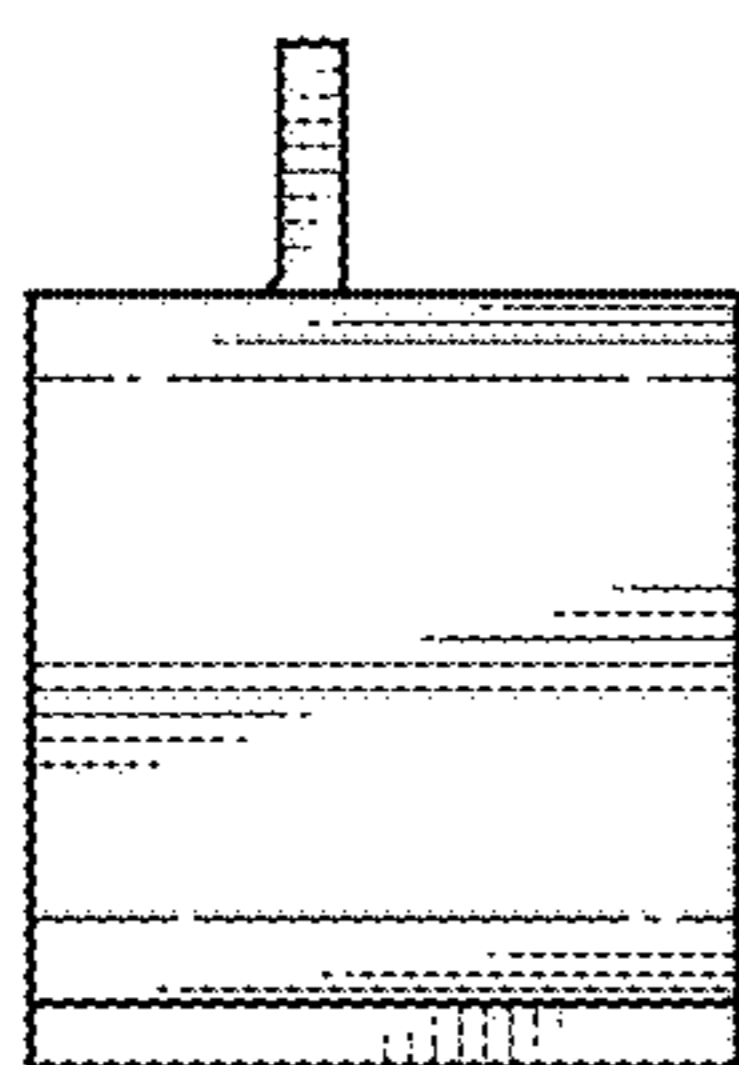


FIG. 5

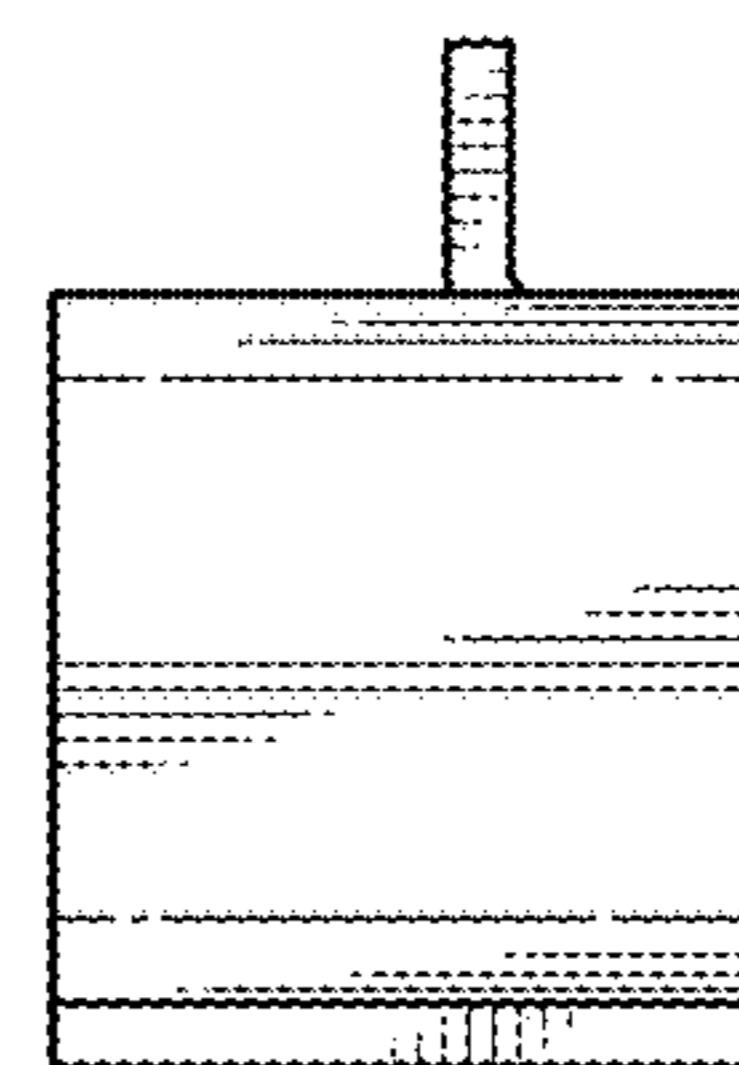


FIG. 6

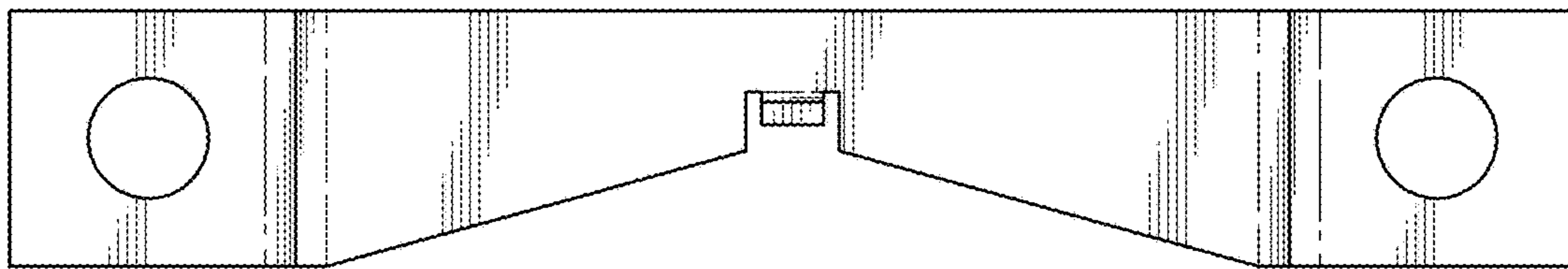


FIG. 7

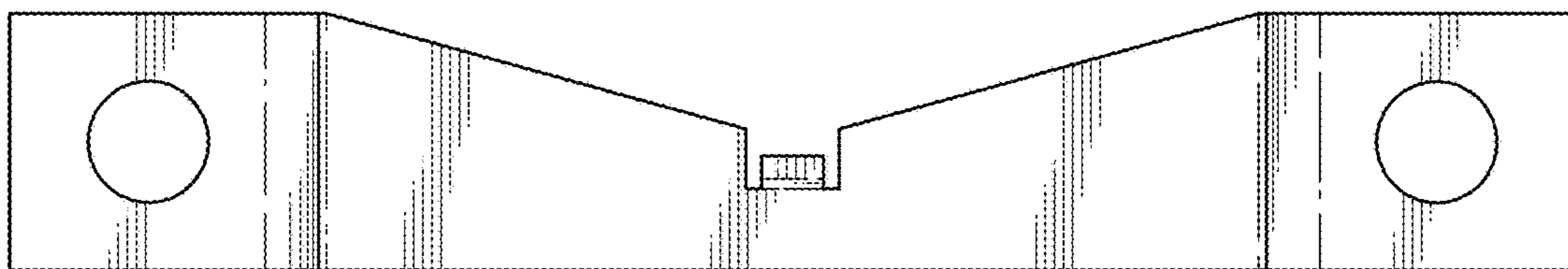


FIG. 8