



US00D791576S

(12) **United States Design Patent**  
**Holmes**

(10) **Patent No.:** **US D791,576 S**

(45) **Date of Patent:** **\*\* Jul. 11, 2017**

(54) **STREAMLINE LOCK BOX**  
(71) Applicant: **Russell Scott Holmes**, Templeton, CA  
(US)  
(72) Inventor: **Russell Scott Holmes**, Templeton, CA  
(US)

D539,633 S \* 4/2007 Van Handel ..... D8/333  
D582,254 S \* 12/2008 Turpault ..... D8/343  
7,926,215 B2 \* 4/2011 Riker ..... E05B 19/0005  
40/654.01  
D652,708 S \* 1/2012 Figureida ..... D8/343  
D667,287 S \* 9/2012 Yang ..... D8/330

\* cited by examiner

(\*\*) Term: **15 Years**

*Primary Examiner* — Prabhakar Deshmukh

(21) Appl. No.: **29/573,302**

(22) Filed: **Aug. 4, 2016**

(51) **LOC (10) Cl.** ..... **08-07**

(52) **U.S. Cl.**  
USPC ..... **D8/346**

(58) **Field of Classification Search**  
USPC ..... D8/330, 331, 338, 340, 341, 343, 346,  
D8/403; 70/14, 57, 57.1, 51, 52, 54, 55,  
70/111, 158, 229–232, DIG. 26, DIG. 56,  
70/416, 211, 258, 168, DIG. 43, DIG. 14;  
292/2, 243, 253, 289, 346, 288, 307 B  
CPC ..... E05B 13/00; E05B 15/00; E05B 17/00  
See application file for complete search history.

(56) **References Cited**

U.S. PATENT DOCUMENTS

4,578,970 A \* 4/1986 Youngblood ..... E05B 13/001  
70/209  
4,727,368 A \* 2/1988 Larson ..... G07C 1/32  
235/382  
4,799,370 A \* 1/1989 Cooper ..... G11B 23/023  
70/159  
D347,193 S \* 5/1994 Keyser ..... D10/49  
6,085,671 A \* 7/2000 Kerr ..... E05G 1/005  
109/51  
D436,016 S \* 1/2001 Gould ..... D8/346

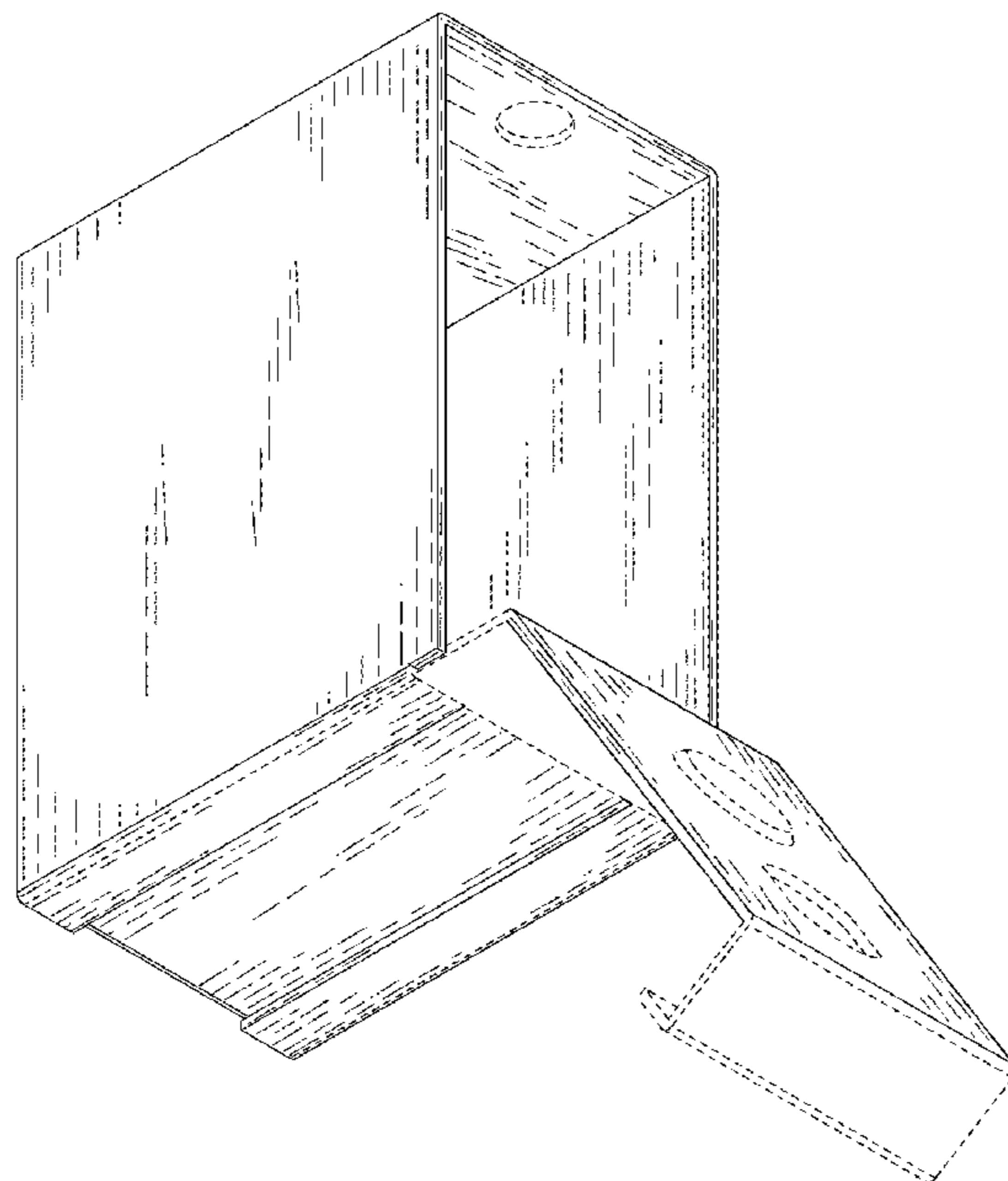
(57) **CLAIM**

The ornamental design for a streamline lock box, as shown and described.

**DESCRIPTION**

FIG. 1 is a perspective view of a streamline lock box showing my new design;  
FIG. 2 is a front elevational view thereof;  
FIG. 3 is a rear elevational view thereof;  
FIG. 4 is a left side elevational view thereof;  
FIG. 5 is a right side elevational view thereof;  
FIG. 6 is a bottom plan view thereof;  
FIG. 7 is a top plan view thereof;  
FIG. 8 is a bottom perspective view thereof;  
FIG. 9 is a perspective view, showing the streamline lock box in an alternate open position;  
FIG. 10 is a left side elevational view thereof; and,  
FIG. 11 is a bottom perspective view thereof.  
The broken line showing of a door handle and inclined base, hinge, knockouts, mounting holes, and keyhole is included for the purpose of illustrating environmental structure and forms no part of the claimed design.

**1 Claim, 11 Drawing Sheets**



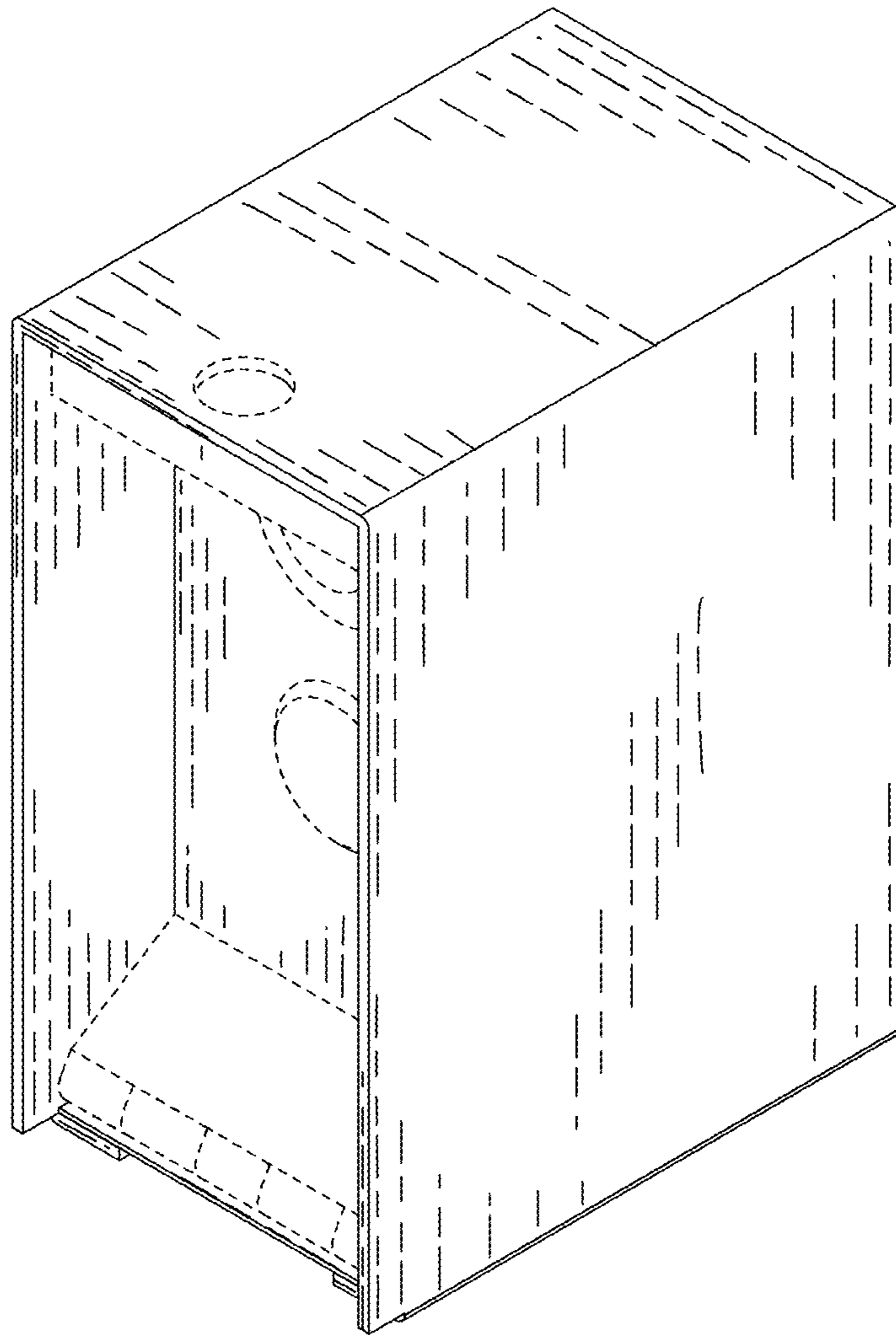


FIG. 1

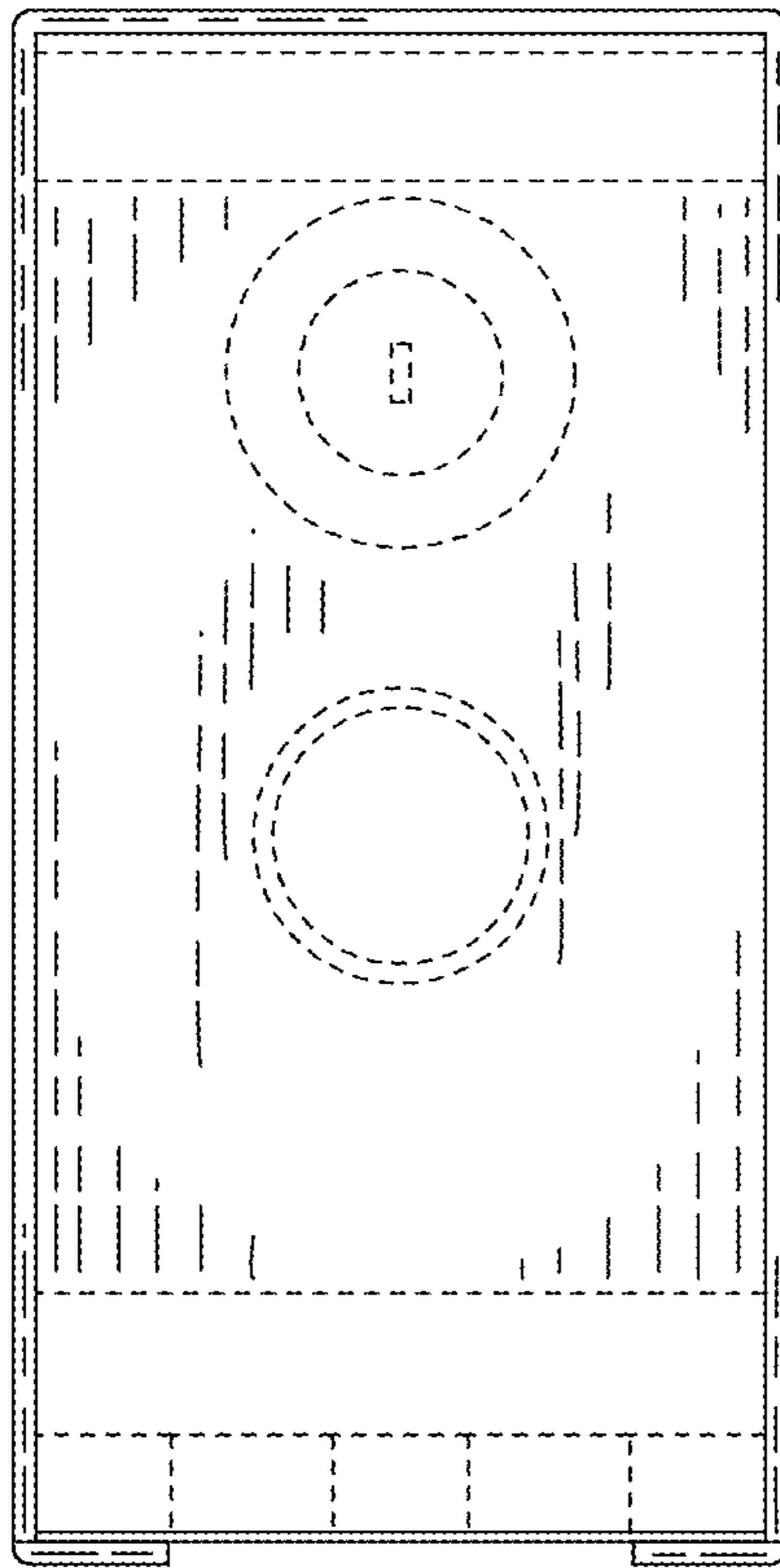


FIG. 2

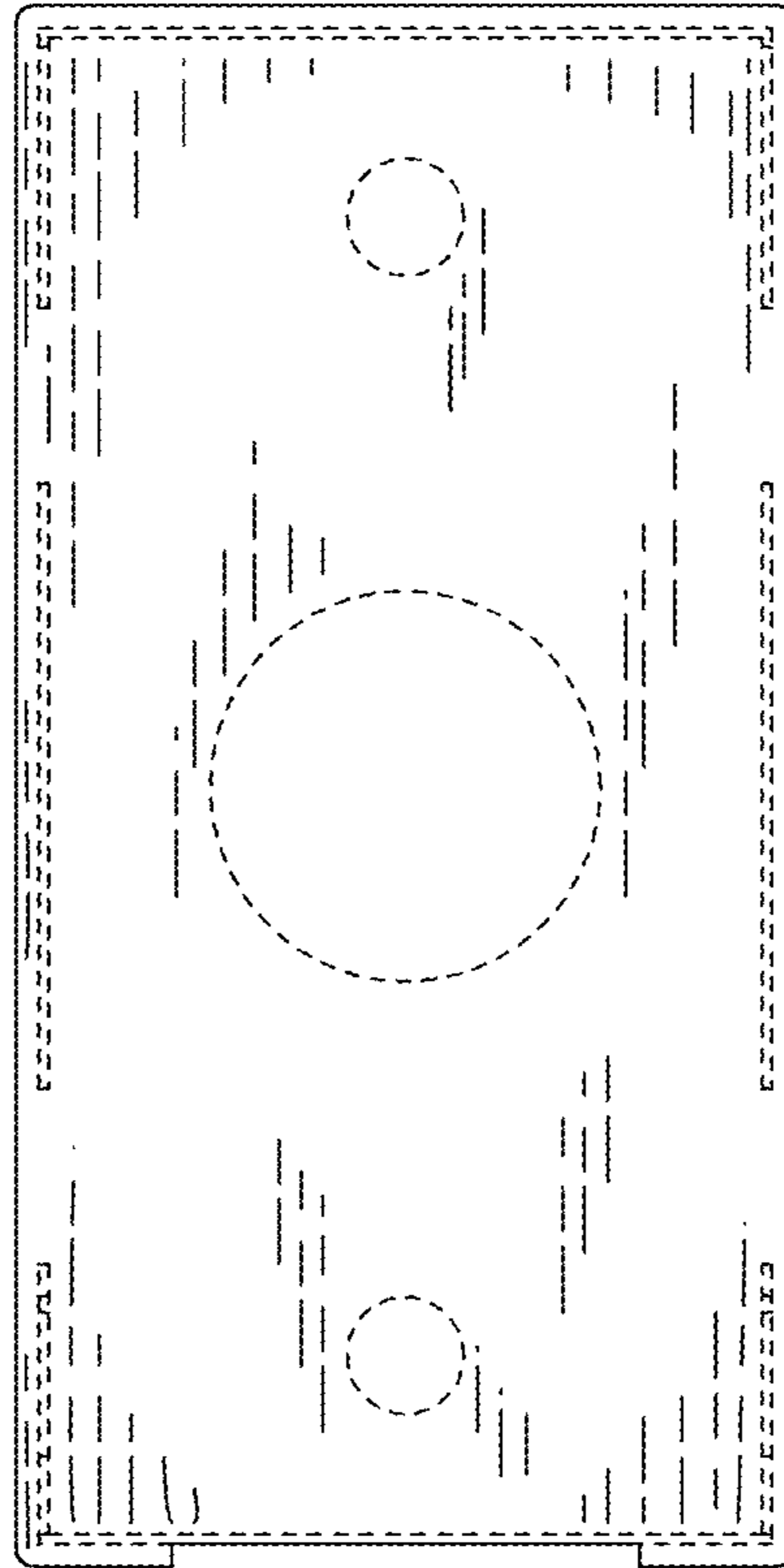


FIG. 3

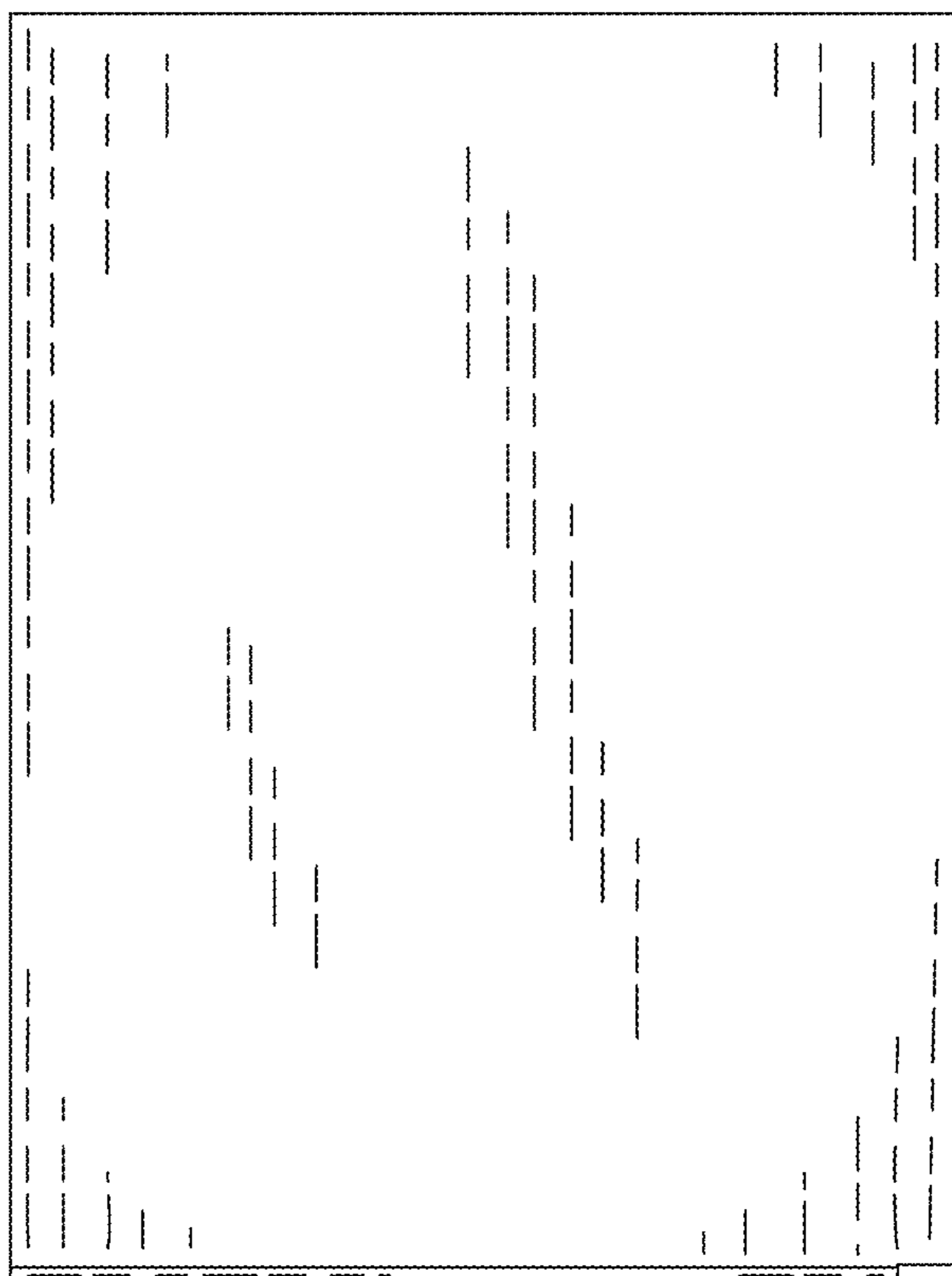


FIG. 4

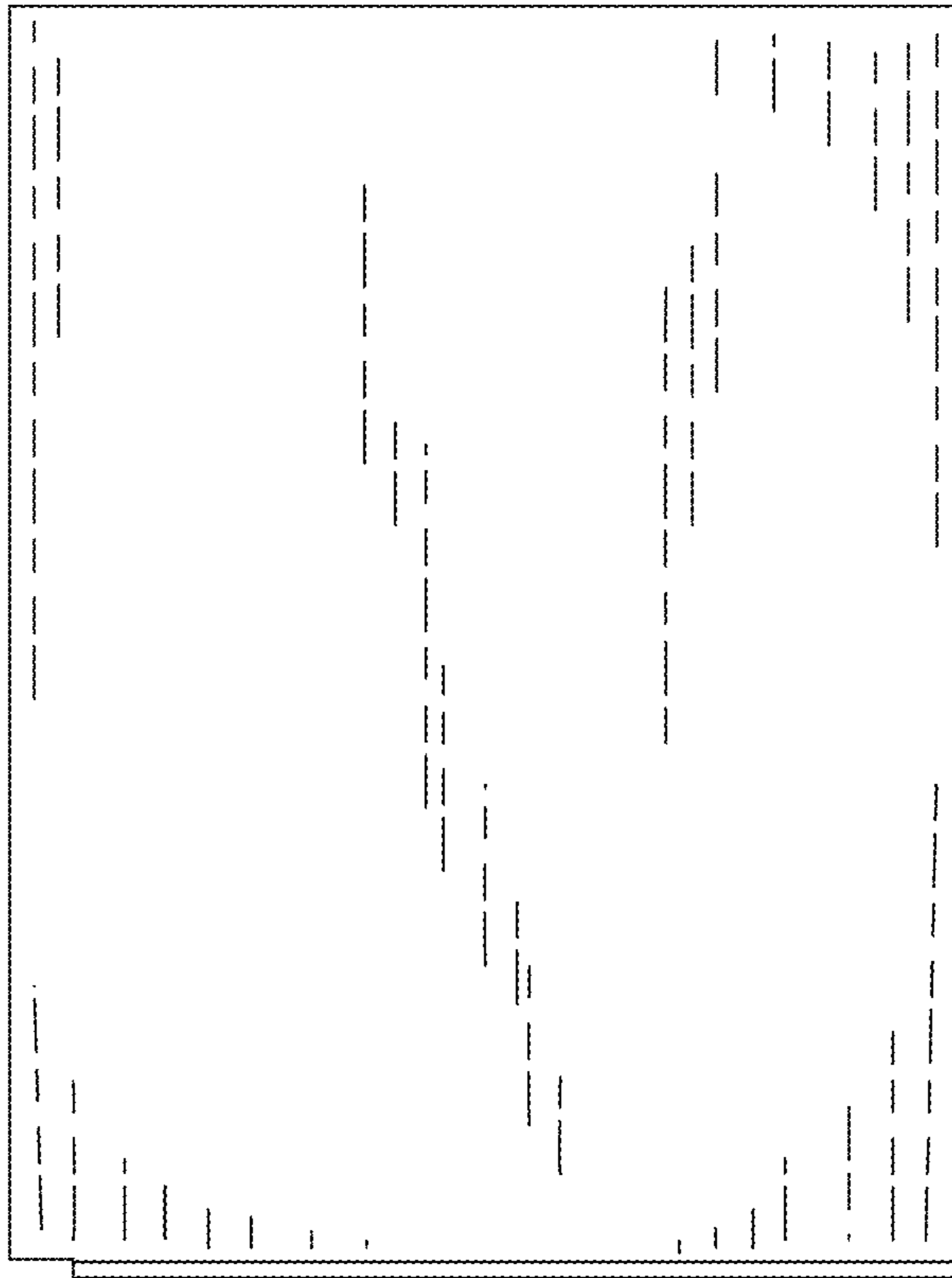


FIG. 5

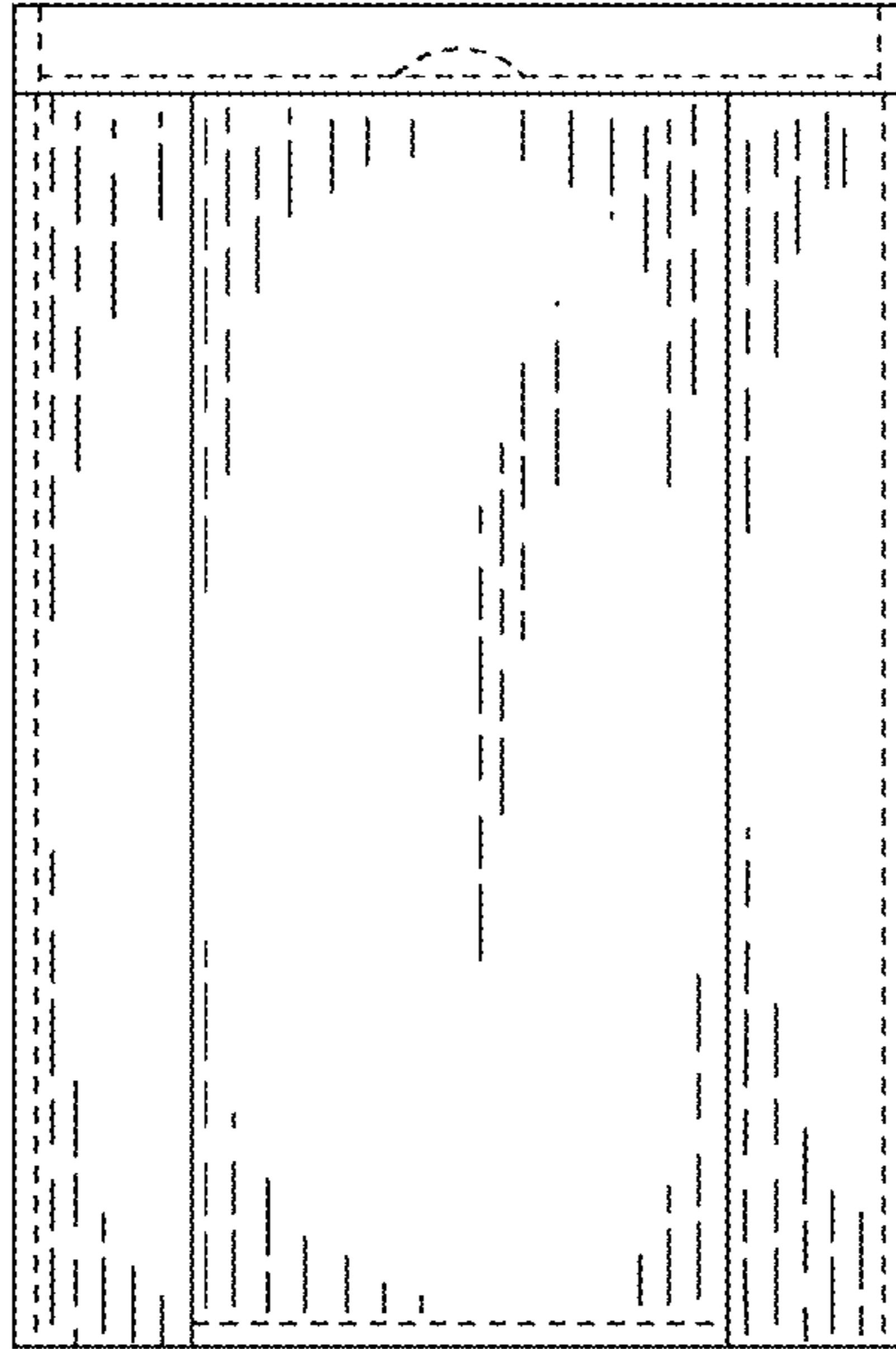


FIG. 6

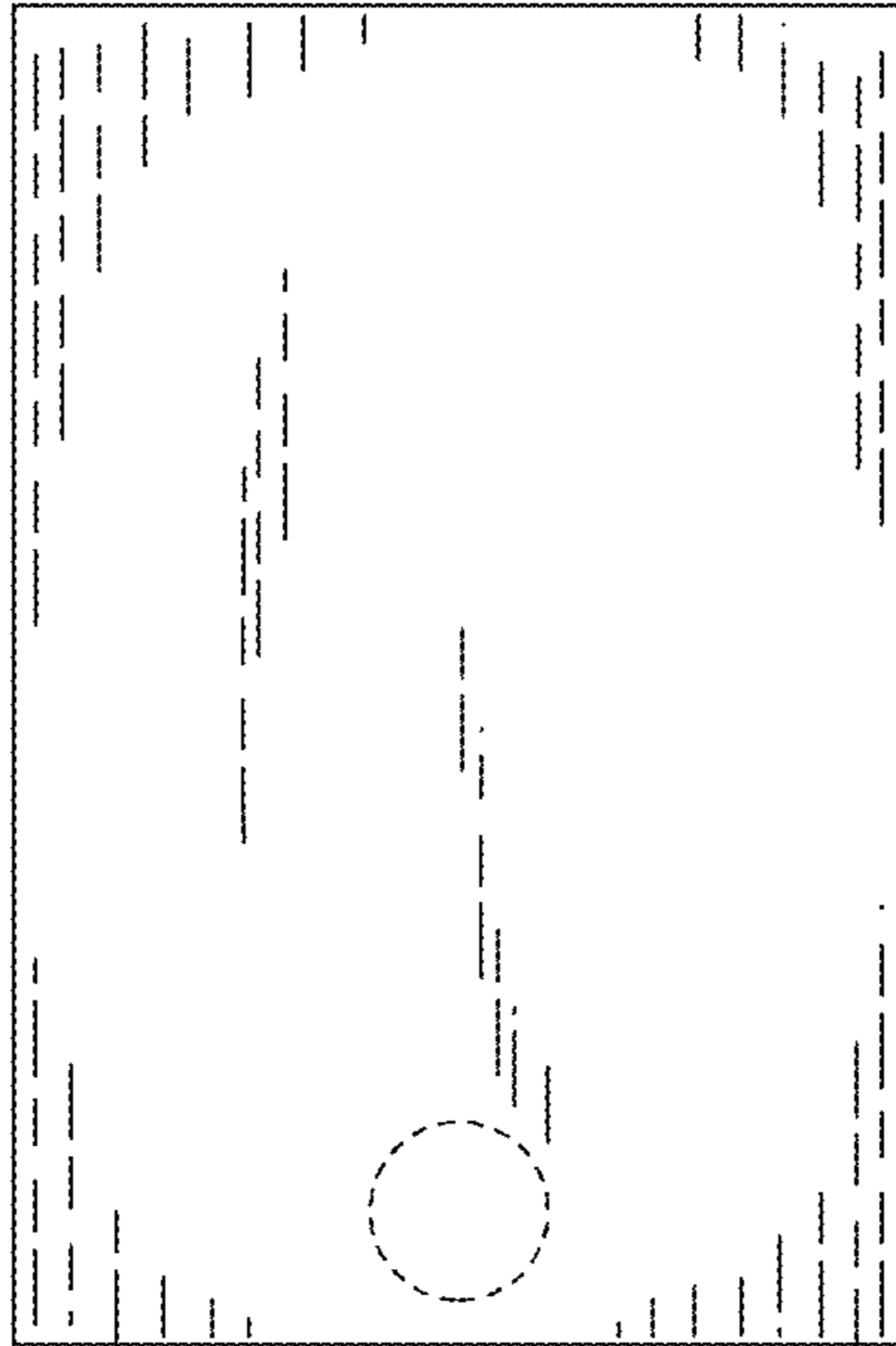


FIG. 7



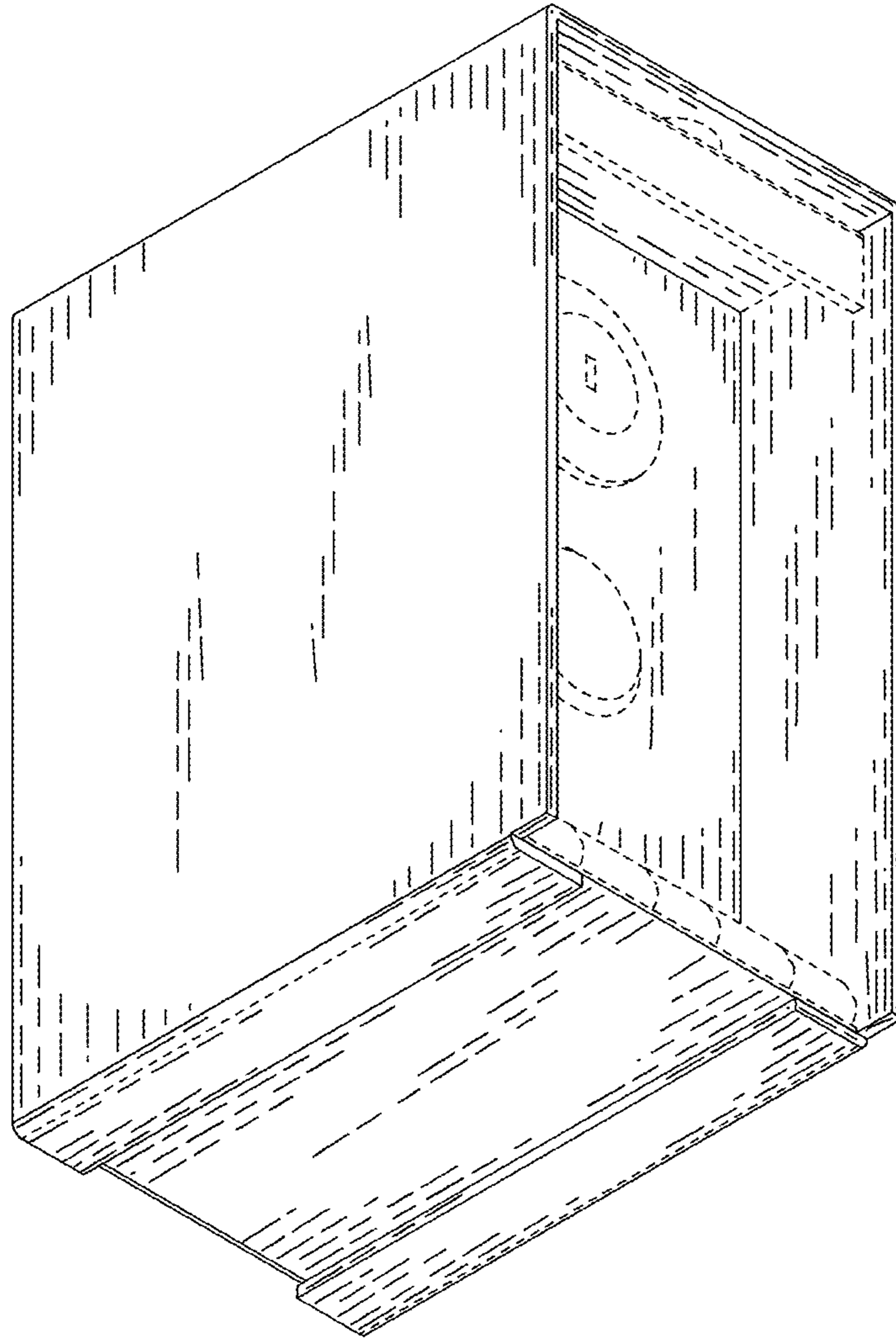


FIG. 8

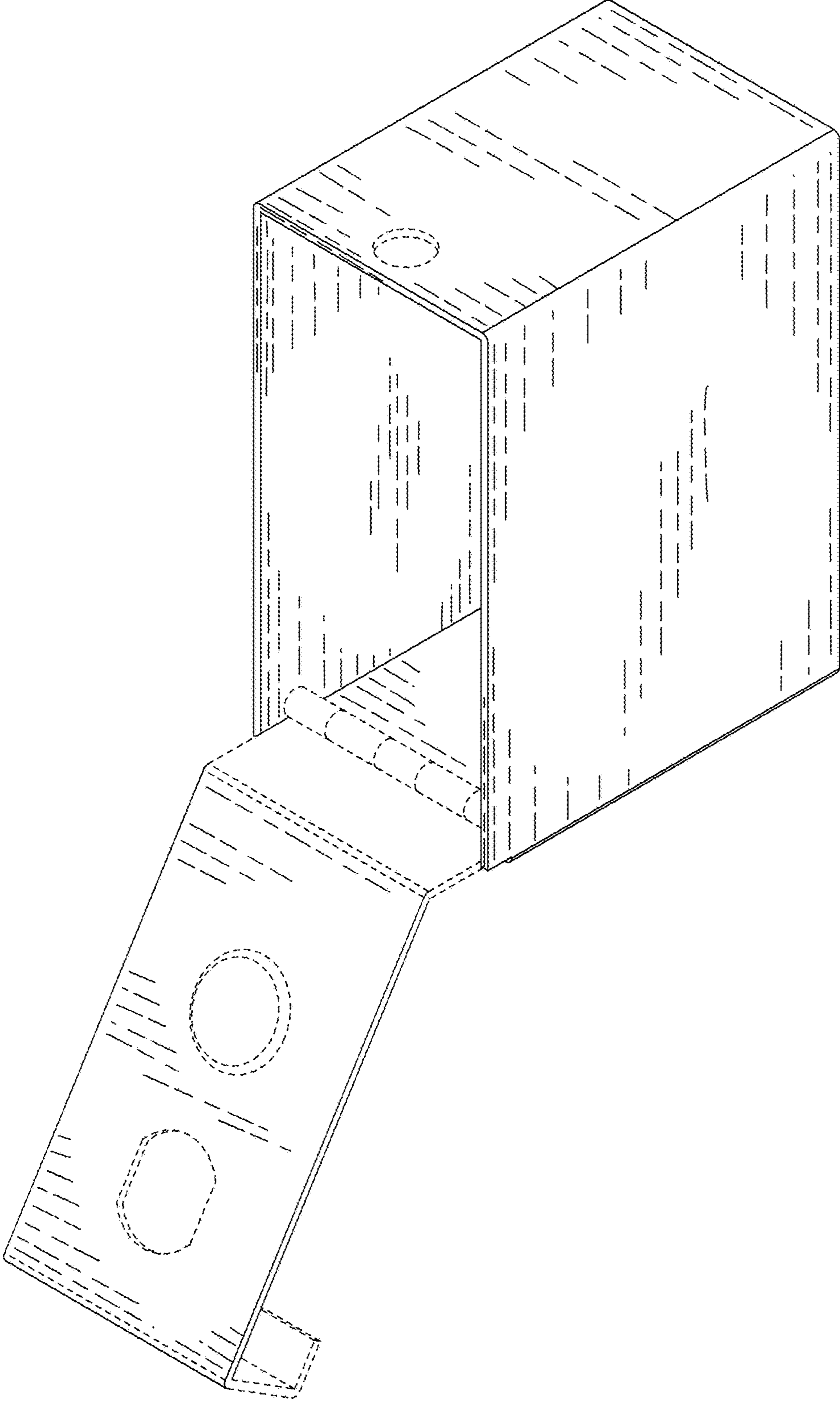


FIG. 9

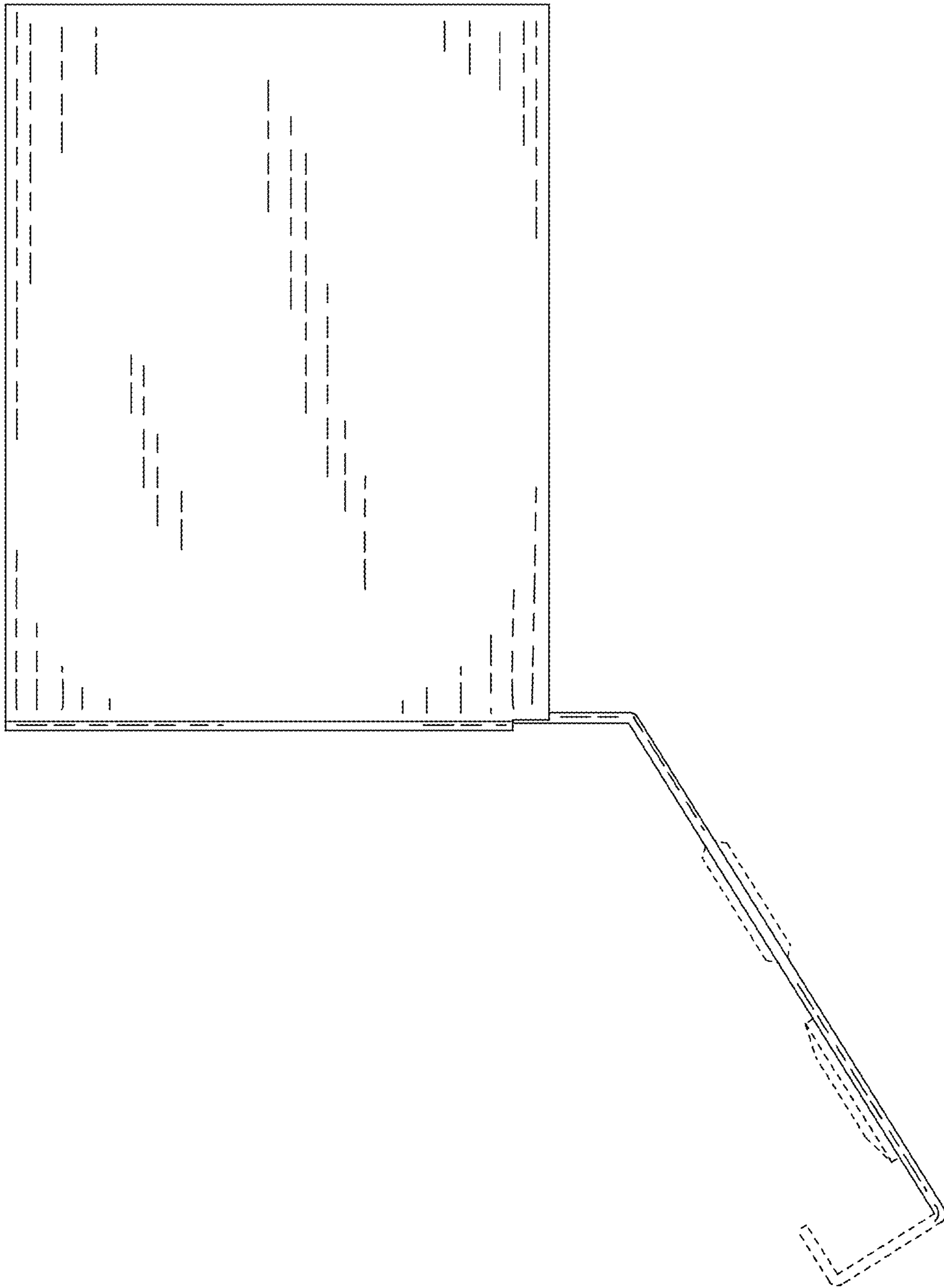


FIG. 10

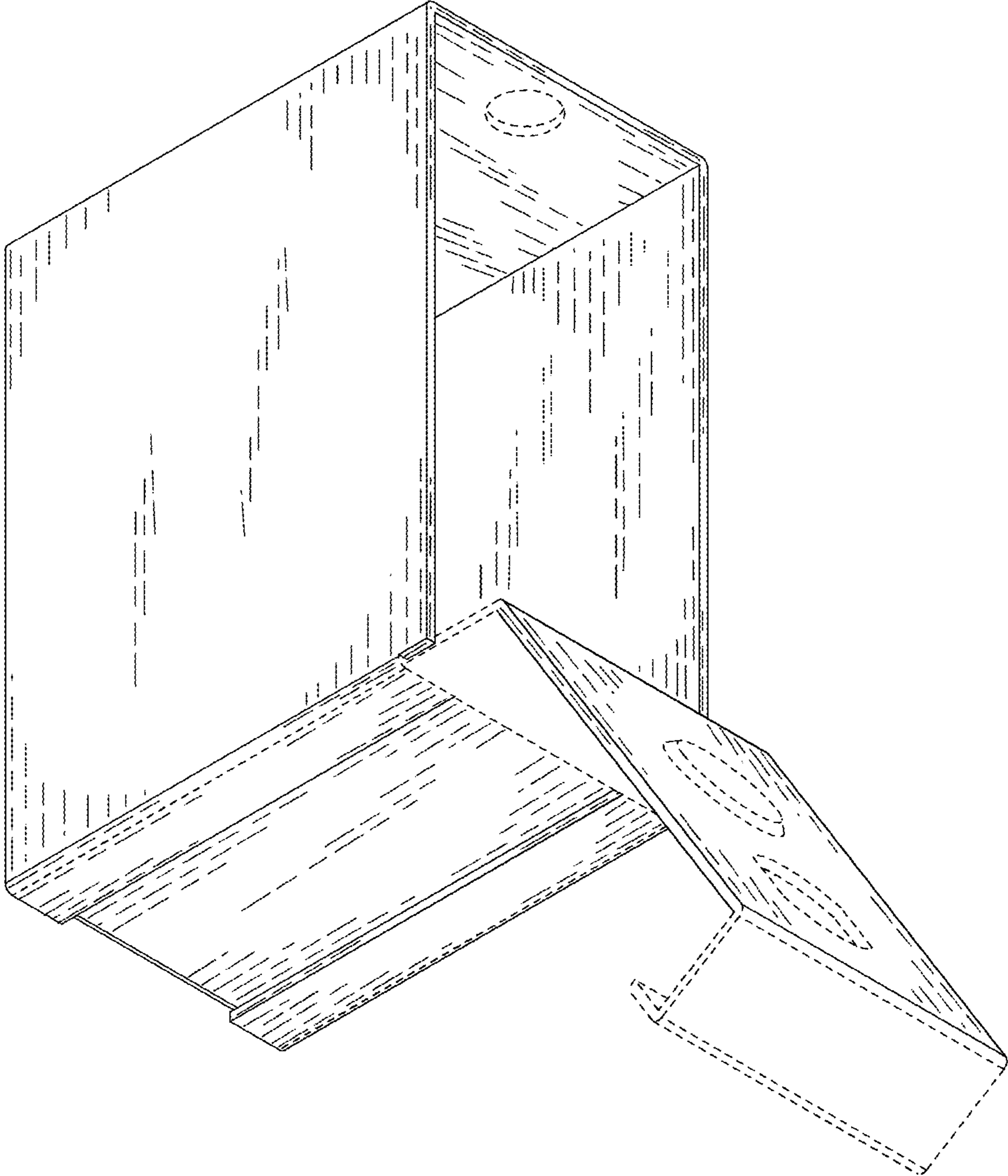


FIG. 11