



US00D791575S

(12) **United States Design Patent**
Hochman

(10) **Patent No.:** **US D791,575 S**
(45) **Date of Patent:** **** Jul. 11, 2017**

- (54) **DOOR REINFORCEMENT DEVICE**
- (71) Applicant: **Seth Hochman**, New York, NY (US)
- (72) Inventor: **Seth Hochman**, New York, NY (US)
- (73) Assignee: **AVDEX NORTH AMERICA, INC.**,
Baldwin, NY (US)
- (**) Term: **15 Years**
- (21) Appl. No.: **29/573,946**
- (22) Filed: **Aug. 10, 2016**
- (51) **LOC (10) Cl.** **08-07**
- (52) **U.S. Cl.**
USPC **D8/343**; D8/330; D8/331
- (58) **Field of Classification Search**
USPC D8/330, 331, 339, 340, 343, 349, 400,
D8/403, 499, 354, 355; 70/51, 52, 250,
70/229, 262, 431, 451, DIG. 11;
292/289, 290, 292, DIG. 53, DIG. 54,
292/DIG. 12, 269, 262, 272; 52/27, 29,
52/60, 204.1, 242, 272, 288.1, 506.01, 39,
52/273; D25/102, 113, 134
CPC E05B 9/00; E05B 65/00; E05B 65/0021;
E05B 15/0205; E05B 17/2084; E05B
15/1671; E05C 17/24; E05C 3/00; E05C
21/00; E04D 1/36
See application file for complete search history.

(56) **References Cited**

U.S. PATENT DOCUMENTS

- 4,139,999 A * 2/1979 Allenbaugh E05B 17/2084
292/337
- 4,474,394 A * 10/1984 Crepinsek E05B 15/0205
292/340
- 4,858,384 A * 8/1989 Blankenship E06B 5/113
49/460

- 5,031,946 A * 7/1991 Yarrow E05B 15/1614
292/337
- 5,070,650 A * 12/1991 Anderson E05B 15/0205
292/340
- 5,154,461 A * 10/1992 Prescott E05B 17/2084
292/272
- 5,566,509 A * 10/1996 Long E05B 15/0205
292/340
- 5,586,796 A * 12/1996 Fraser E05B 15/0205
292/340
- 5,967,216 A * 10/1999 Mancini E06B 9/01
160/209
- D548,044 S * 8/2007 Tang D8/323
- D697,386 S * 1/2014 Dooley D8/343
- D728,346 S * 5/2015 James, III D8/339
- D760,063 S * 6/2016 Mello D8/339

* cited by examiner

Primary Examiner — Prabhakar Deshmukh

(74) *Attorney, Agent, or Firm* — Amster, Rothstein & Ebenstein LLP

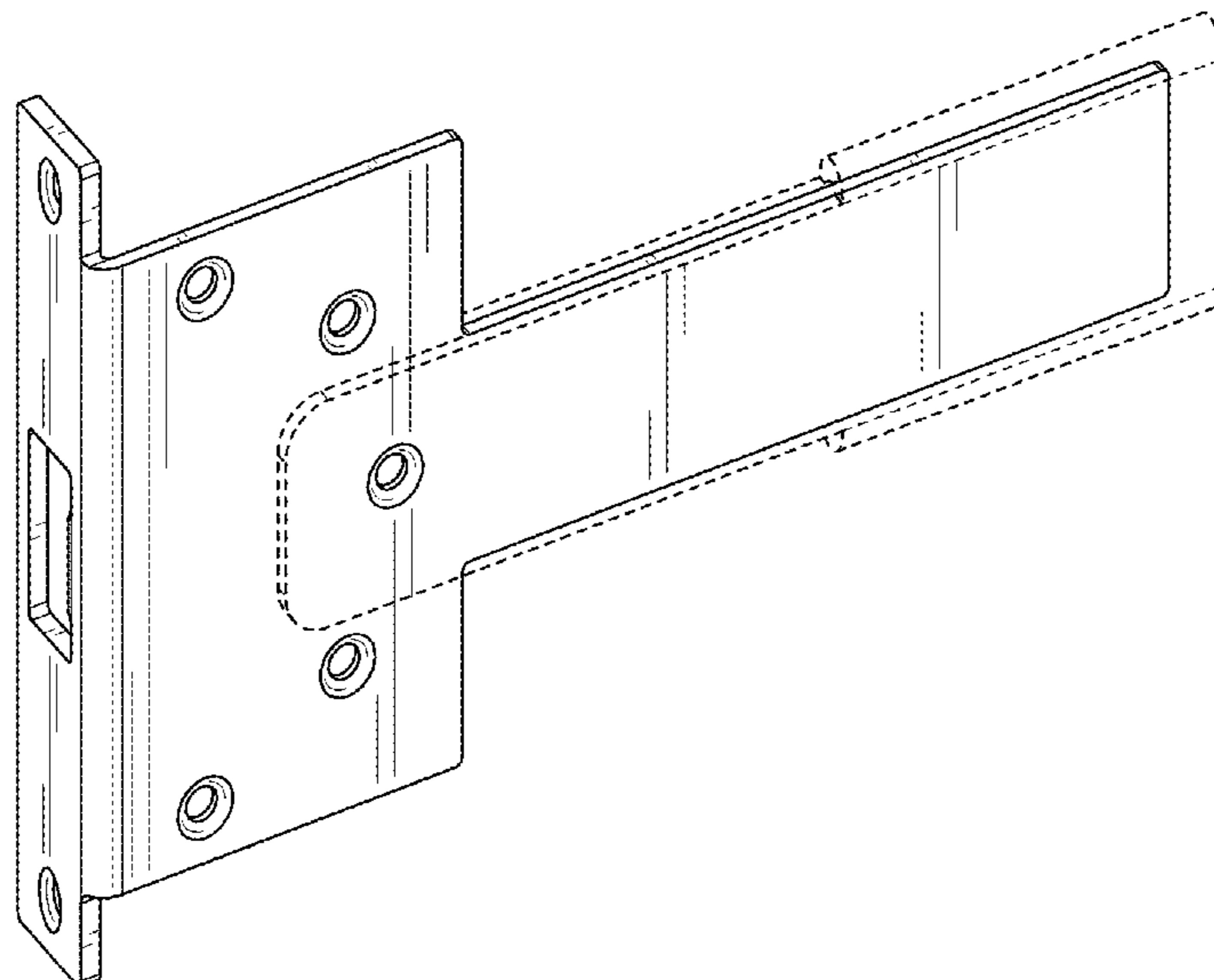
(57) **CLAIM**

The ornamental design for a door reinforcement device, as shown and described.

DESCRIPTION

FIG. 1 is a perspective view of a door reinforcement device showing my new design, shown in environmental use; FIG. 2 is a front elevational view thereof; FIG. 3 is a rear elevational view thereof; FIG. 4 is a left side elevational view thereof; FIG. 5 is a right side elevational view thereof; FIG. 6 is a top plan view thereof; FIG. 7 is a bottom plan view thereof; and, FIG. 8 is another perspective view thereof, shown in another environment with door. The broken lines illustrate environment in FIGS. 1 and 8 and form no part of the claimed design.

1 Claim, 6 Drawing Sheets



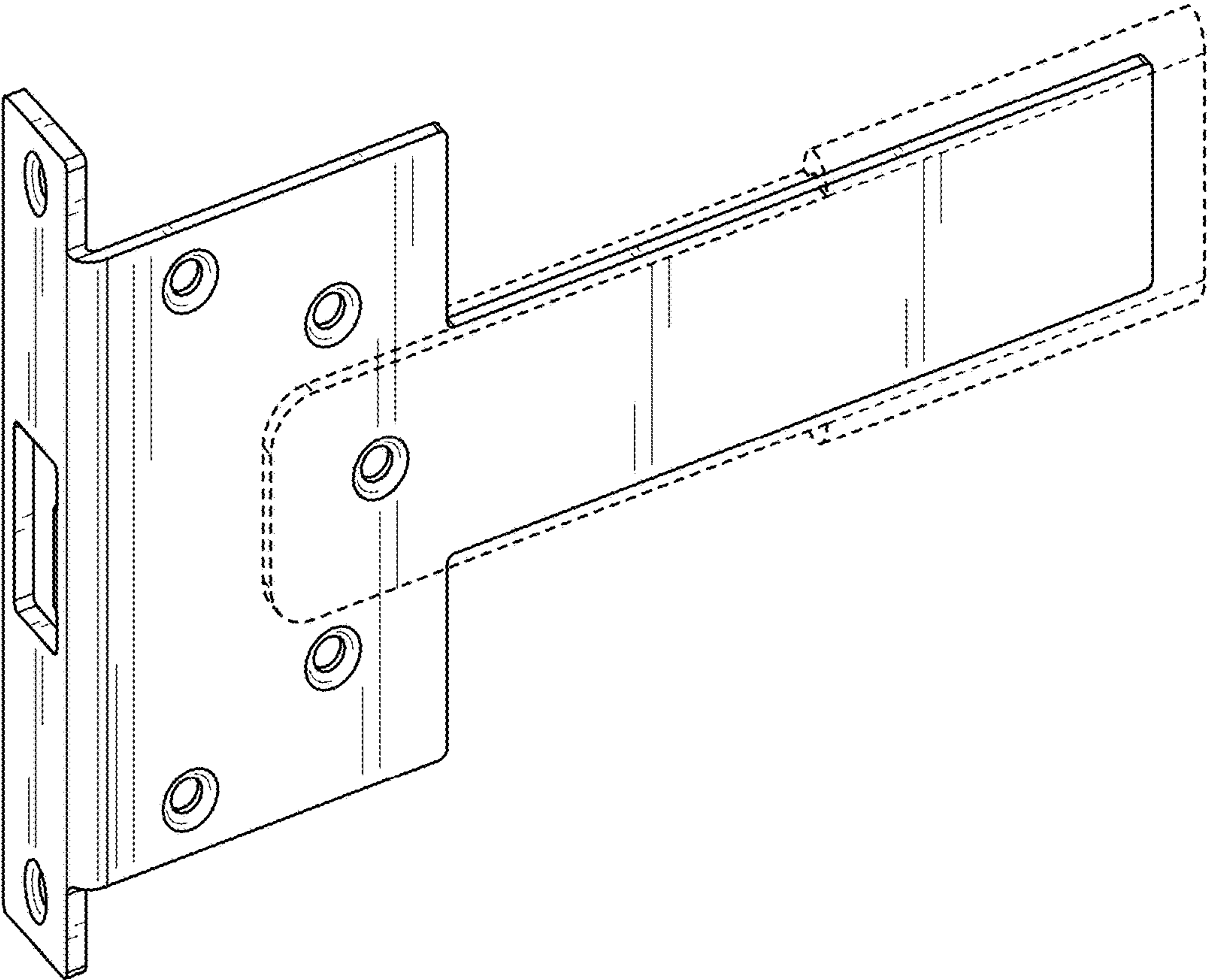


FIG. 1

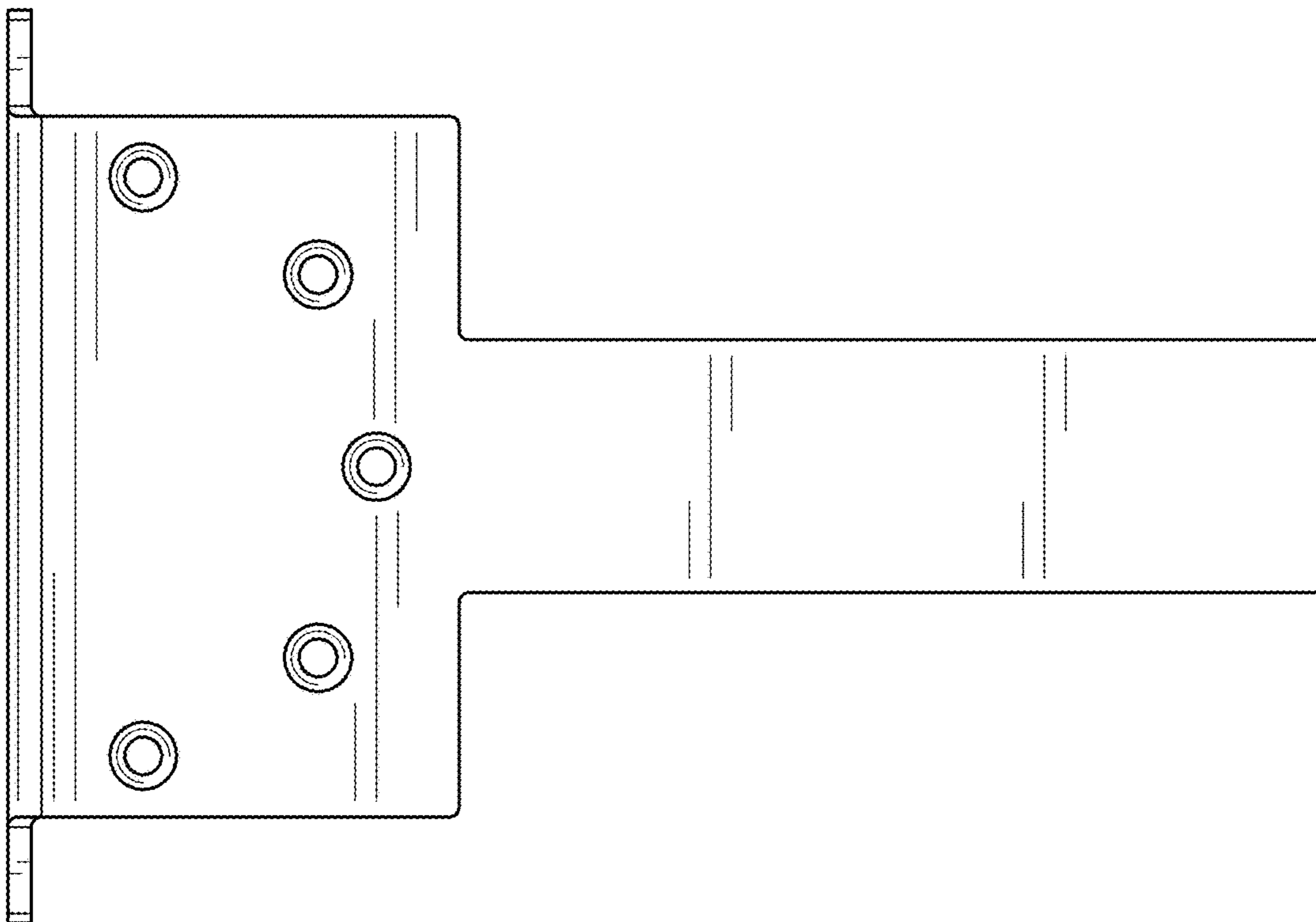


FIG. 2

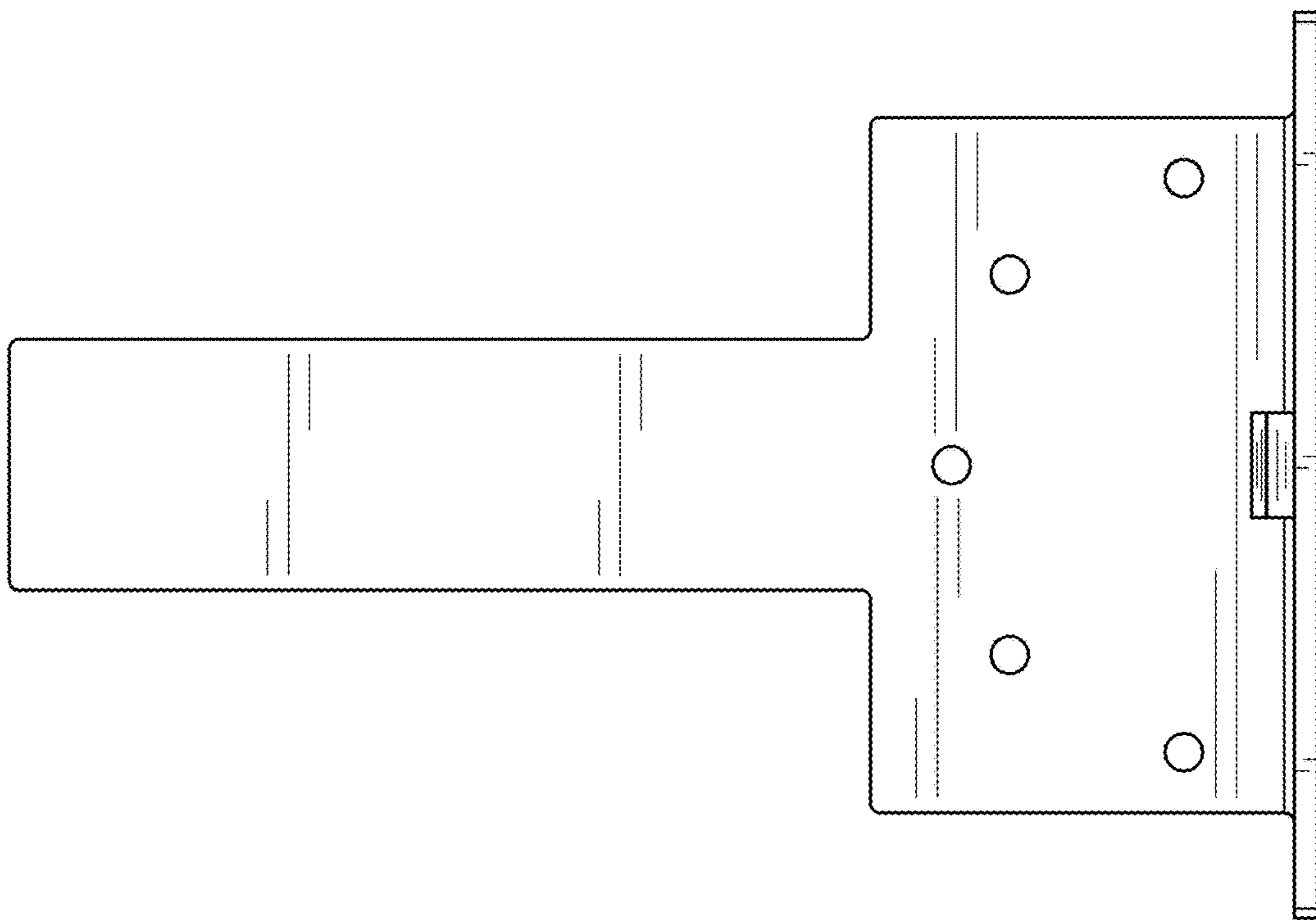


FIG. 3

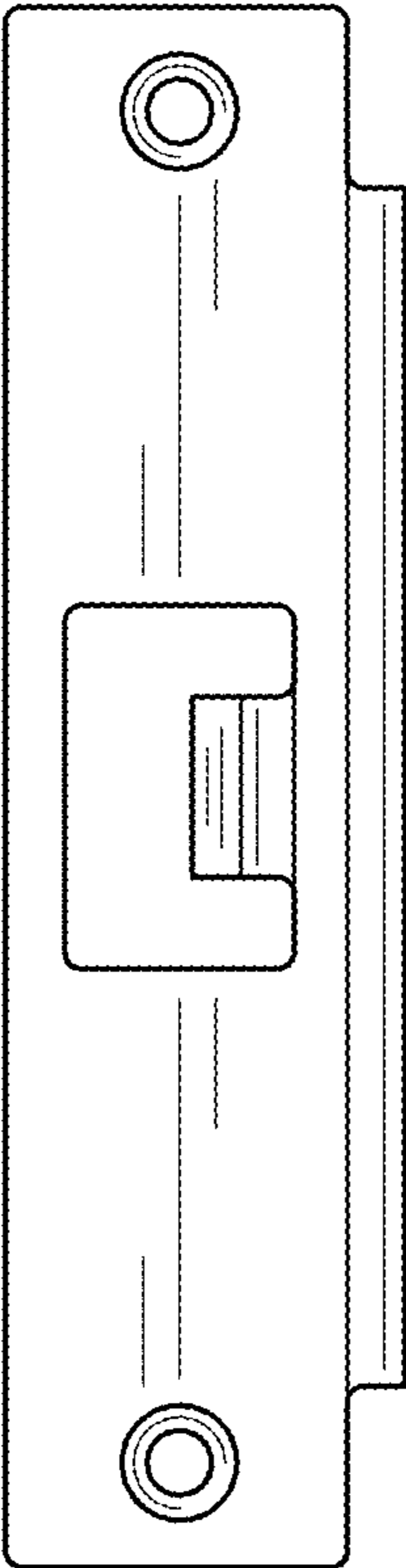


FIG. 4

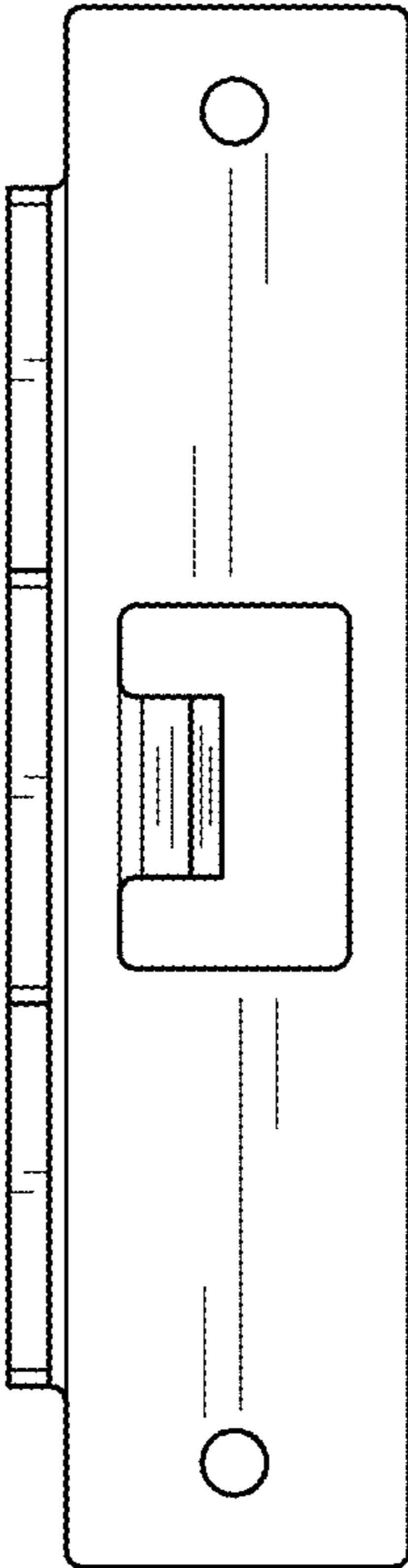


FIG. 5

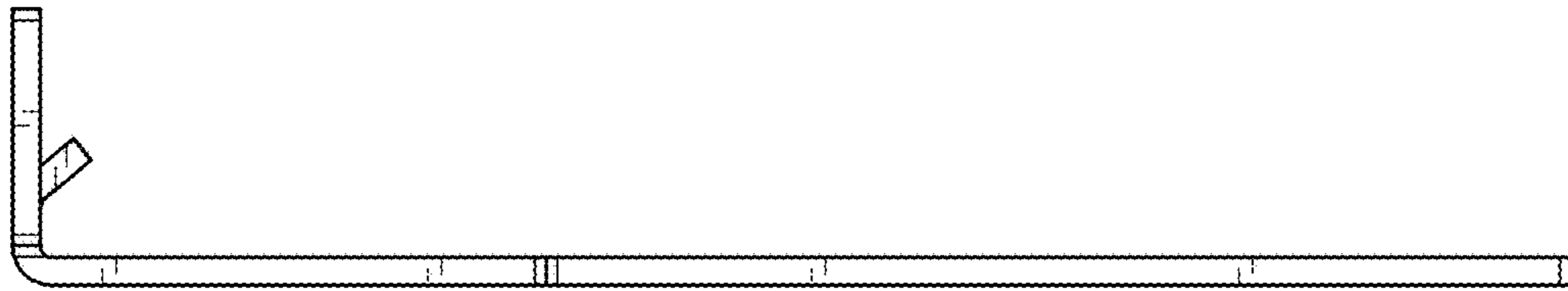


FIG. 6

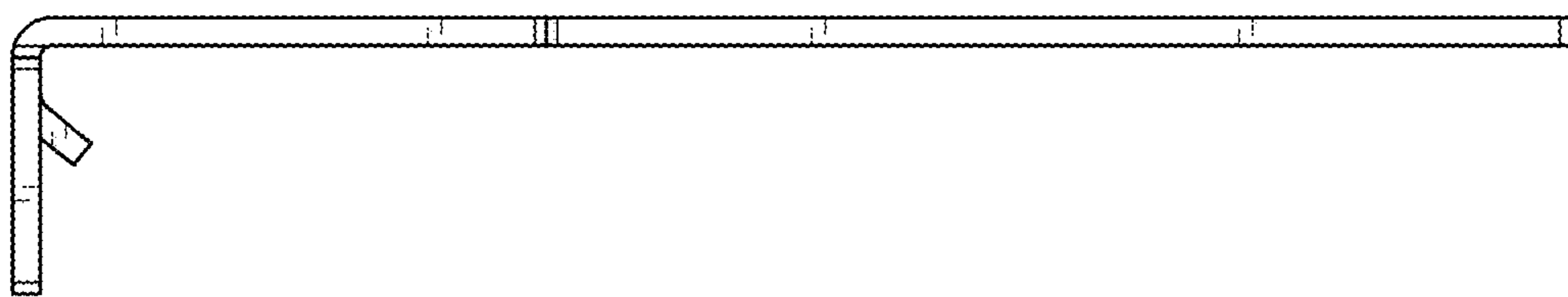


FIG. 7

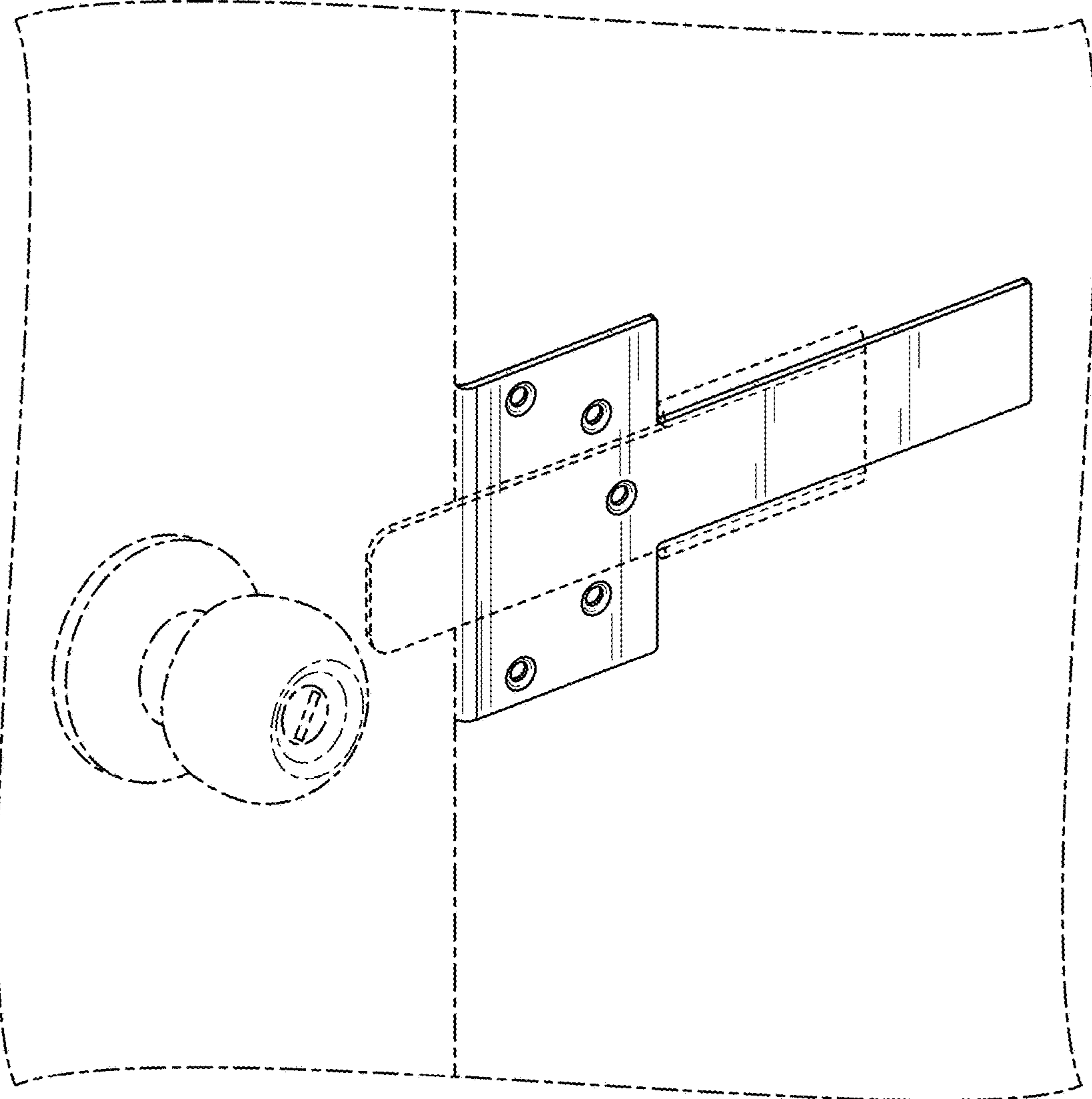


FIG. 8