



US00D791572S

(12) **United States Design Patent**  
**Osada et al.**

(10) **Patent No.:** **US D791,572 S**  
(45) **Date of Patent:** **\*\* Jul. 11, 2017**

- (54) **BICYCLE LOCK**
- (71) Applicant: **Bell Sports, Inc.**, Scotts Valley, CA (US)
- (72) Inventors: **Tad Osada**, Dublin, CA (US); **Koo Wai Pong**, Hong Kong (CN); **Molly Elizabeth Shoemaker**, Aptos, CA (US)
- (73) Assignee: **Bell Sports, Inc.**, Scotts Valley, CA (US)
- (\*\*) Term: **15 Years**
- (21) Appl. No.: **29/544,603**
- (22) Filed: **Nov. 4, 2015**

**Related U.S. Application Data**

- (63) Continuation-in-part of application No. 29/539,854, filed on Sep. 17, 2015.
- (51) **LOC (10) Cl.** ..... **08-07**
- (52) **U.S. Cl.**  
USPC ..... **D8/343**; D8/334; D8/330
- (58) **Field of Classification Search**  
USPC ..... D8/330, 331, 333, 343, 339, 336, 349, D8/334, 354; 70/14-16, 18, 57, 25, 158, 70/163-168, 233, 38 A, 38 C, 23, 20, 30, 70/51, 57.1, 202, 203, 431, 448, 465, 70/466; 292/288, 290, 340  
CPC ..... E05B 65/00; E05B 71/00; E05B 73/00; B62H 3/00; B62H 5/00  
See application file for complete search history.

(56) **References Cited**

**U.S. PATENT DOCUMENTS**

- 4,888,967 A \* 12/1989 Kuo ..... E05B 67/063  
70/233
- 5,010,746 A \* 4/1991 Zane ..... E05B 67/063  
70/233

- 5,092,142 A \* 3/1992 Zane ..... E05B 67/063  
70/233
- 5,194,845 A \* 3/1993 Sirmon ..... B62H 5/20  
200/61.64
- 5,340,861 A \* 8/1994 Chen ..... C08K 5/42  
524/166
- 5,438,854 A \* 8/1995 Seraj ..... E05B 67/06  
70/233
- 5,640,861 A \* 6/1997 Chen ..... E05B 67/063  
70/233
- 5,823,021 A \* 10/1998 Chang ..... E05B 67/063  
70/233
- 5,950,461 A \* 9/1999 Tsai ..... E05B 67/24  
70/379 R

(Continued)

*Primary Examiner* — Prabhakar Deshmukh

(74) *Attorney, Agent, or Firm* — Booth Udall Fuller, PLC

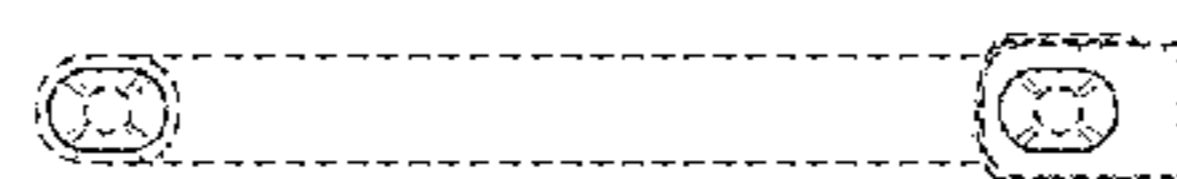
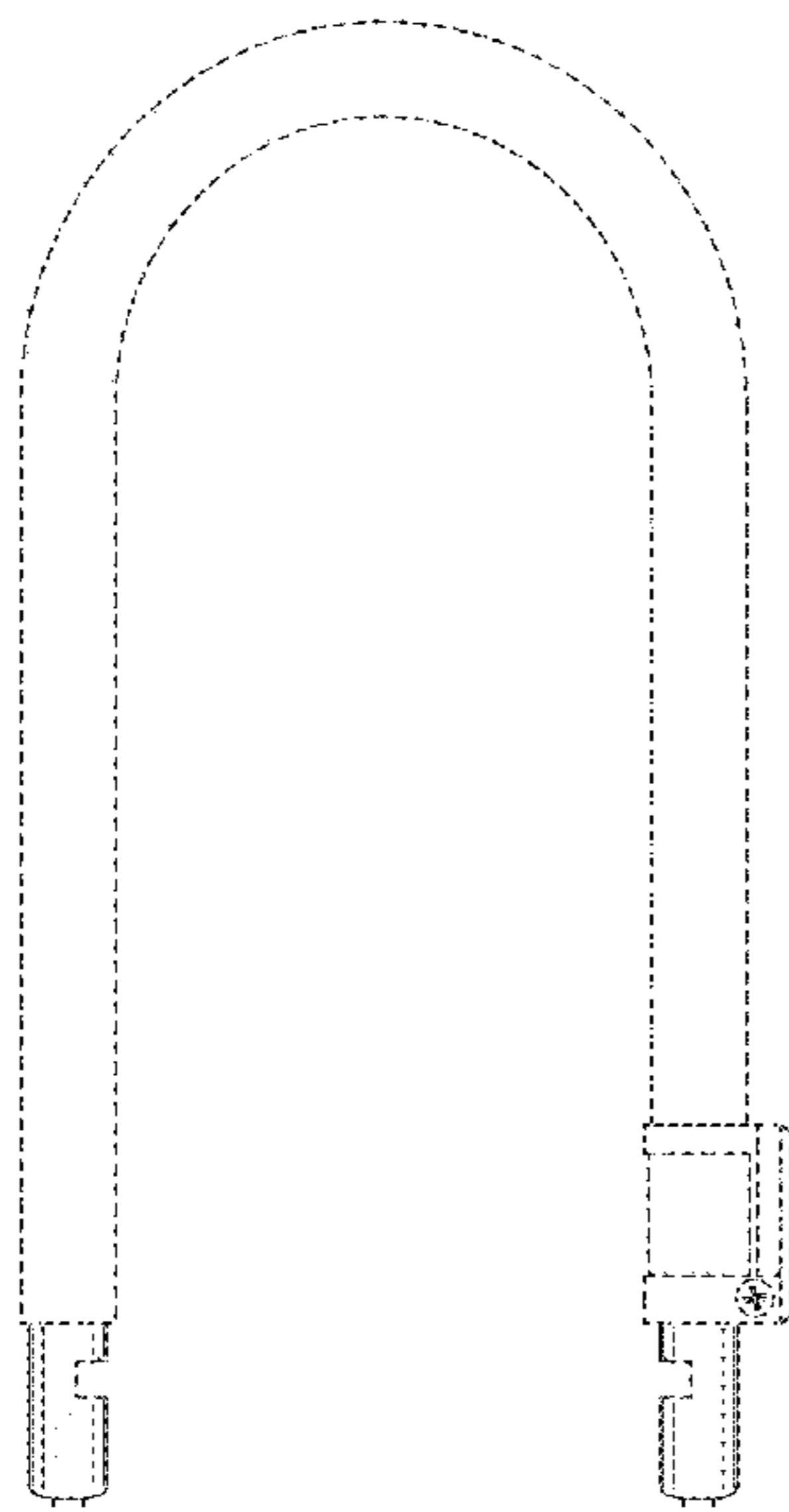
(57) **CLAIM**

We claim the ornamental design for a bicycle lock, as shown and described.

**DESCRIPTION**

FIG. 1 is a perspective view of a bicycle lock;  
 FIG. 2 is a perspective view thereof with the shackle separated from the base;  
 FIG. 3 is a front view thereof;  
 FIG. 4 is a rear view thereof;  
 FIG. 5 is a left side view thereof;  
 FIG. 6 is a right side view thereof;  
 FIG. 7 is a top view thereof;  
 FIG. 8 is a bottom view thereof;  
 FIG. 9 is a front view of the shackle separated from the base;  
 and,  
 FIG. 10 is a bottom view of the shackle separated from the base.  
 The broken lines are included for the purpose of illustrating environmental features and form no part of the claimed design.

**1 Claim, 5 Drawing Sheets**



(56)

**References Cited**

U.S. PATENT DOCUMENTS

7,013,686 B1 \* 3/2006 Chen ..... E05B 67/063  
70/233  
9,466,908 B2 \* 10/2016 Ohkubo ..... H01R 13/111

\* cited by examiner

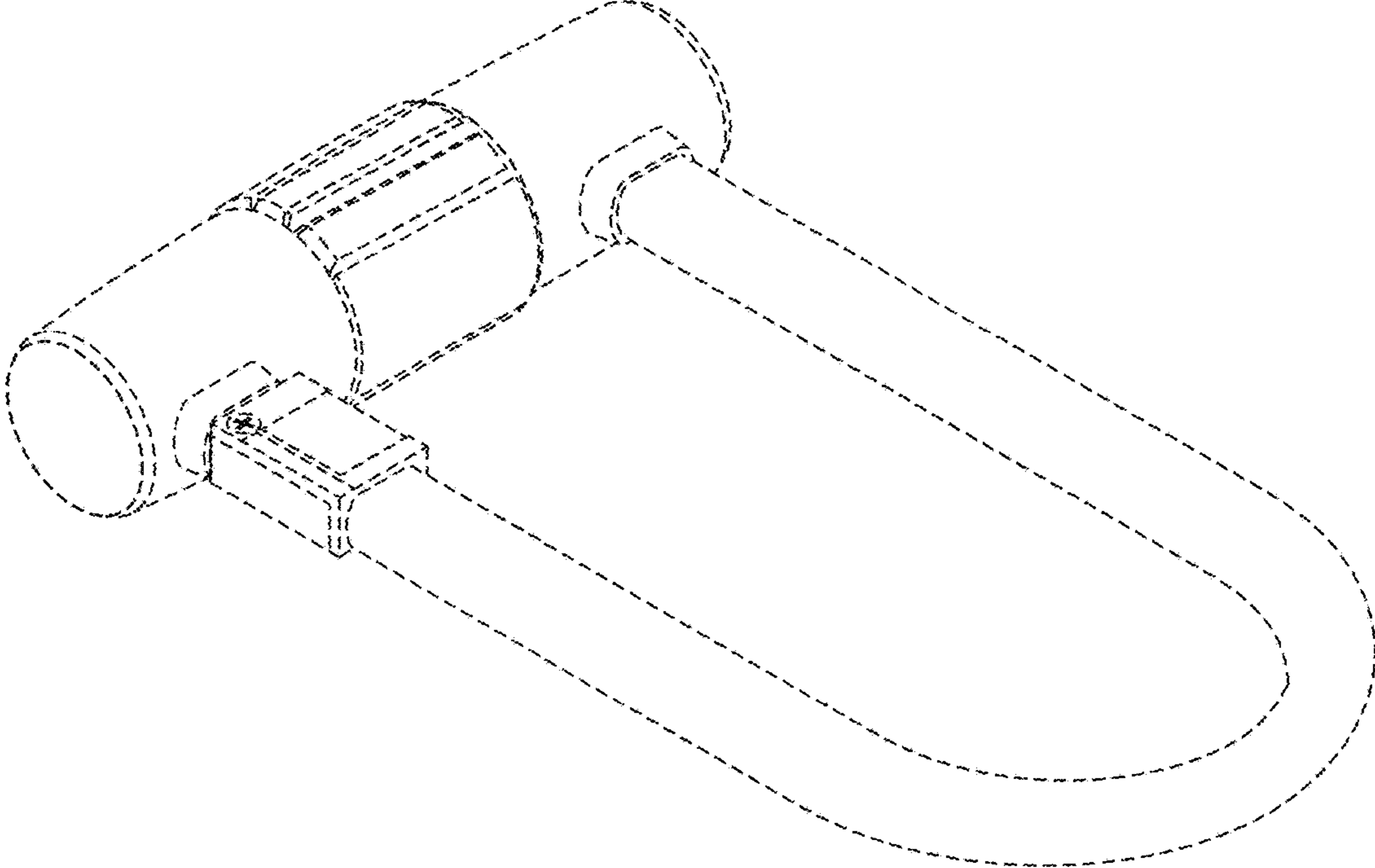


FIG. 1

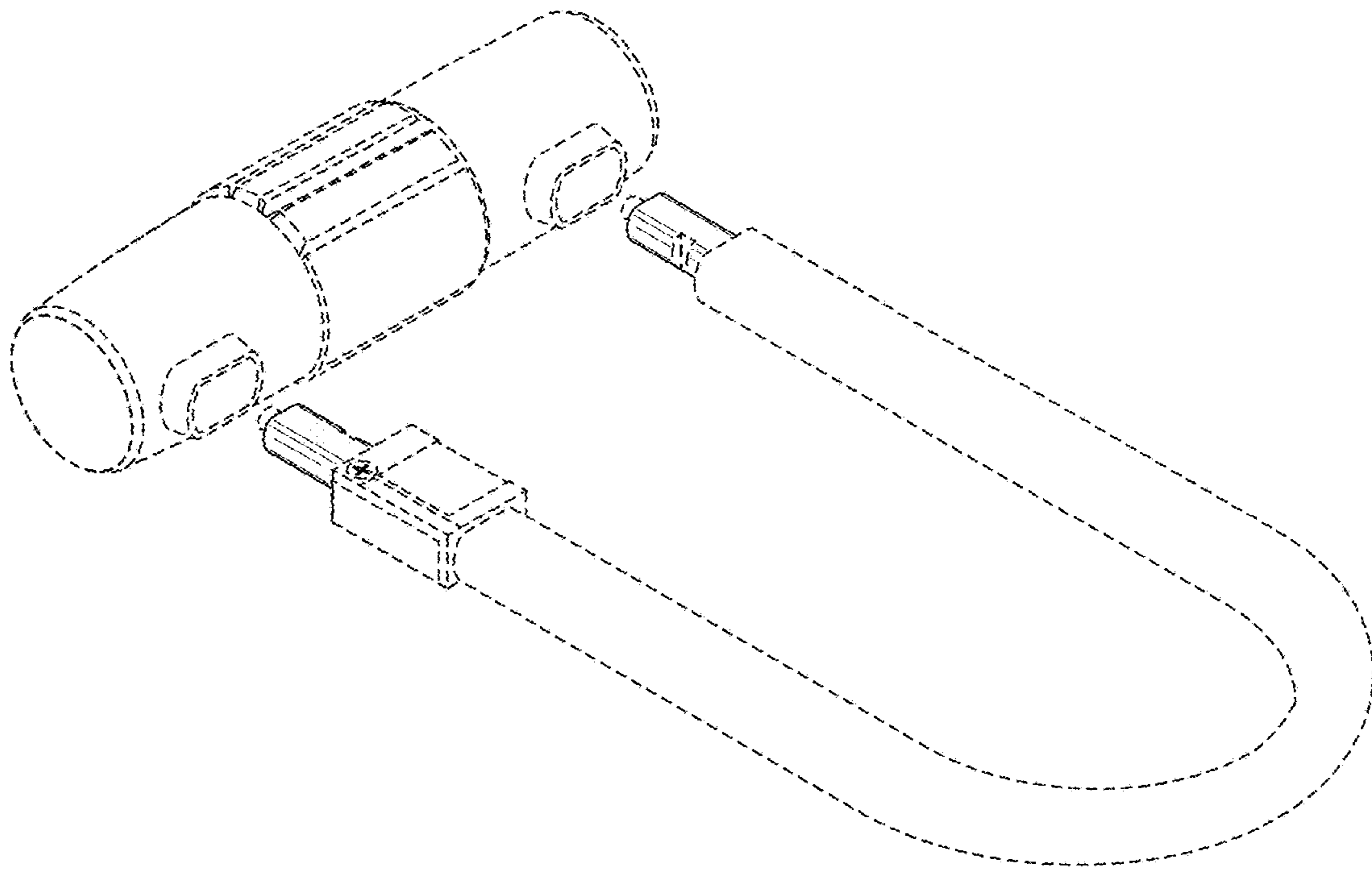


FIG. 2

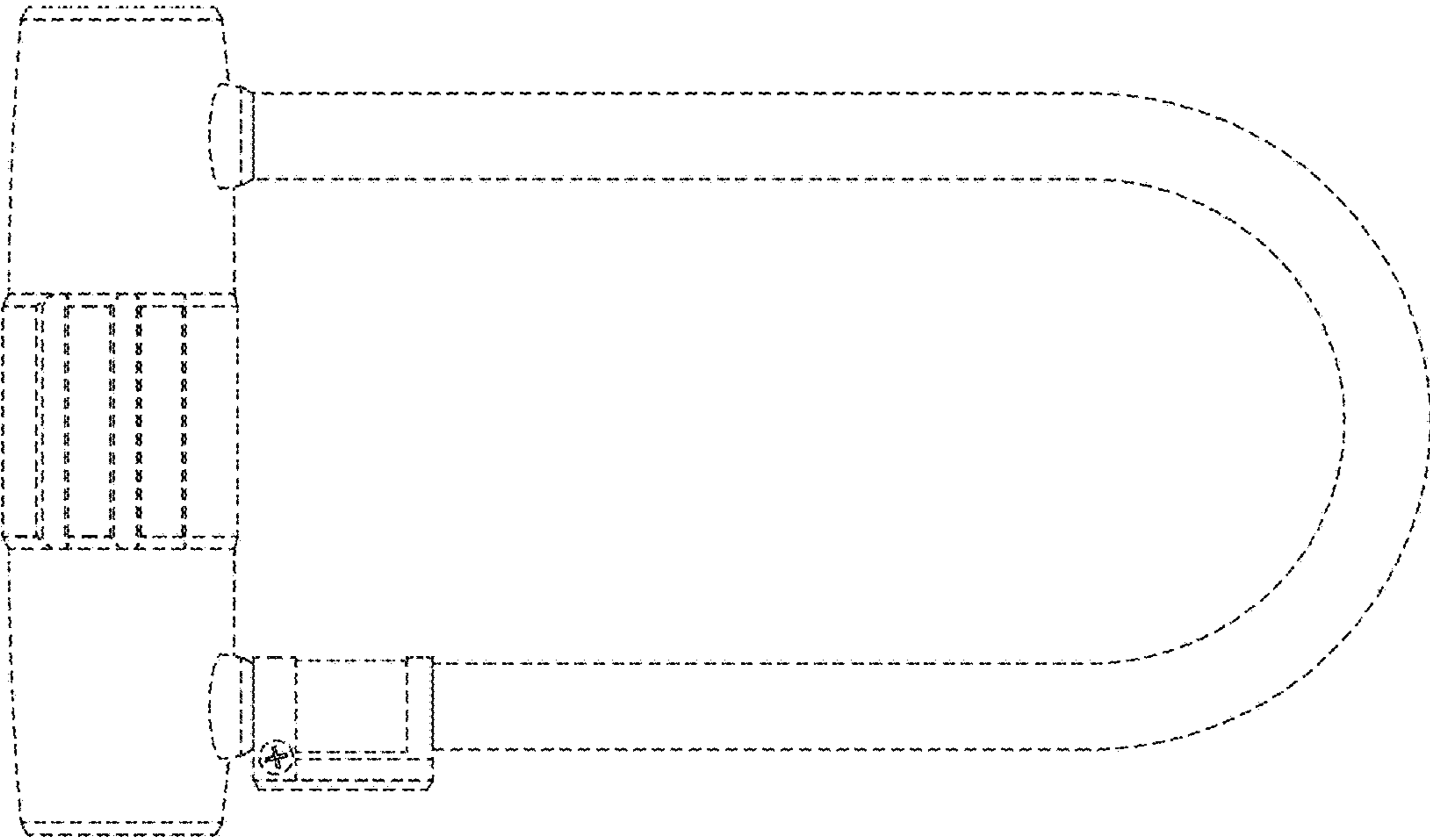


FIG. 3

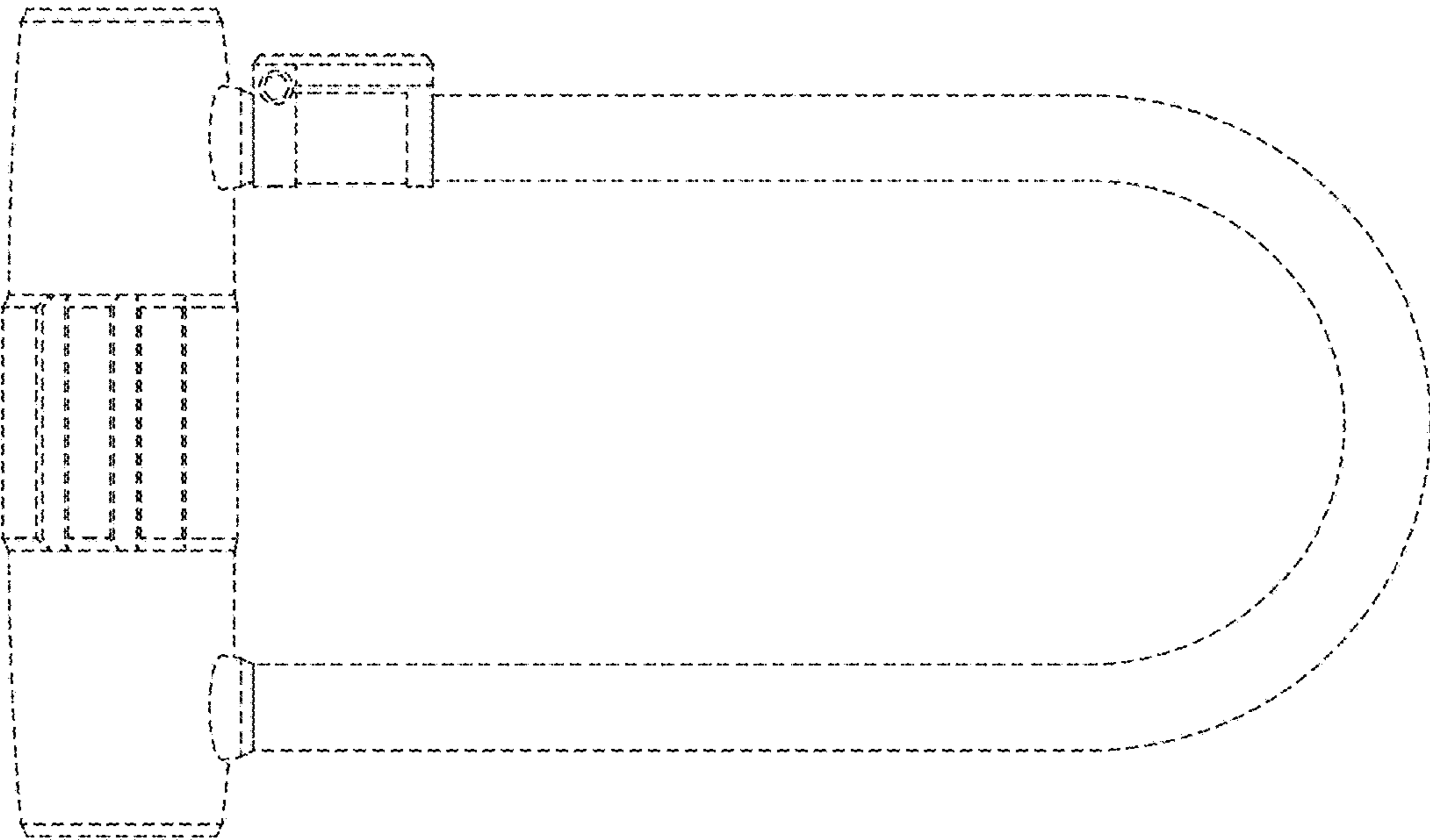


FIG. 4

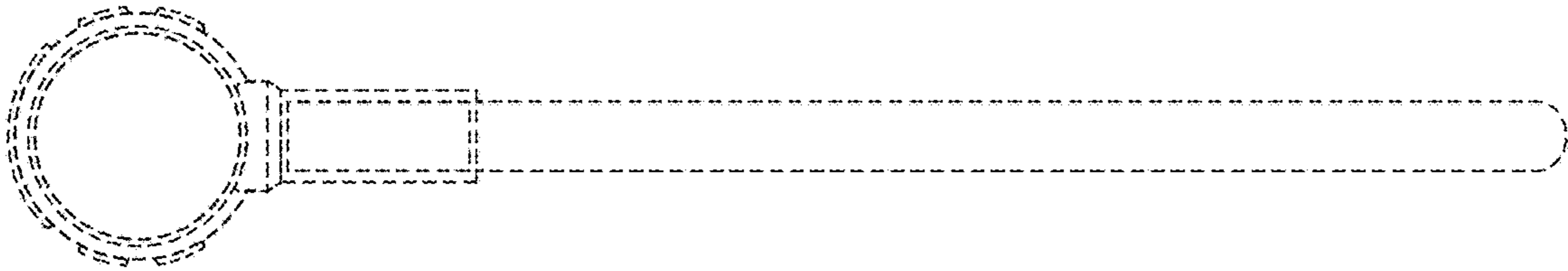


FIG. 5

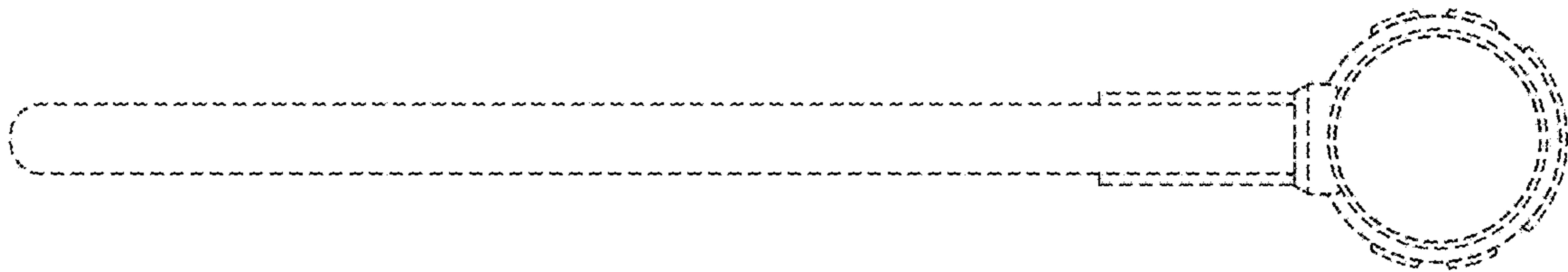


FIG. 6

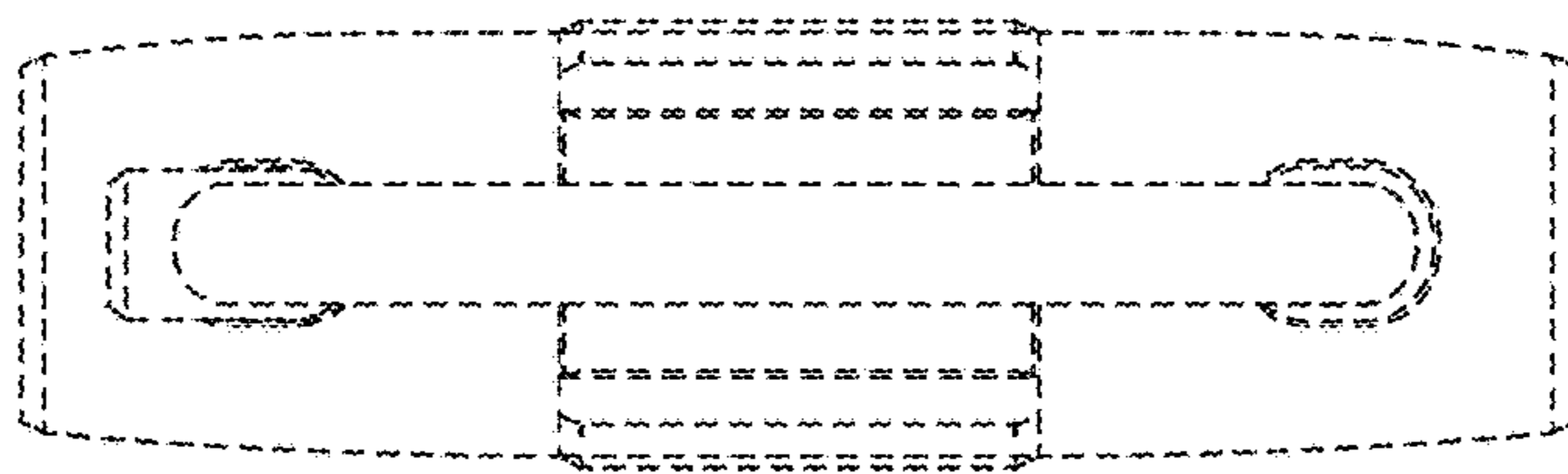


FIG. 7

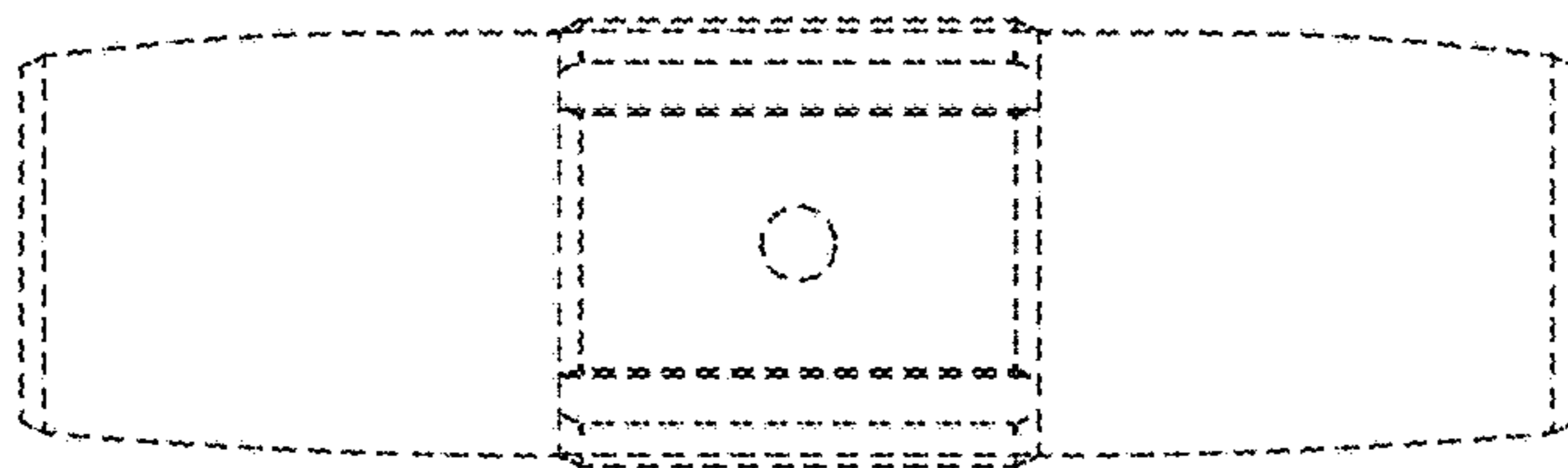


FIG. 8

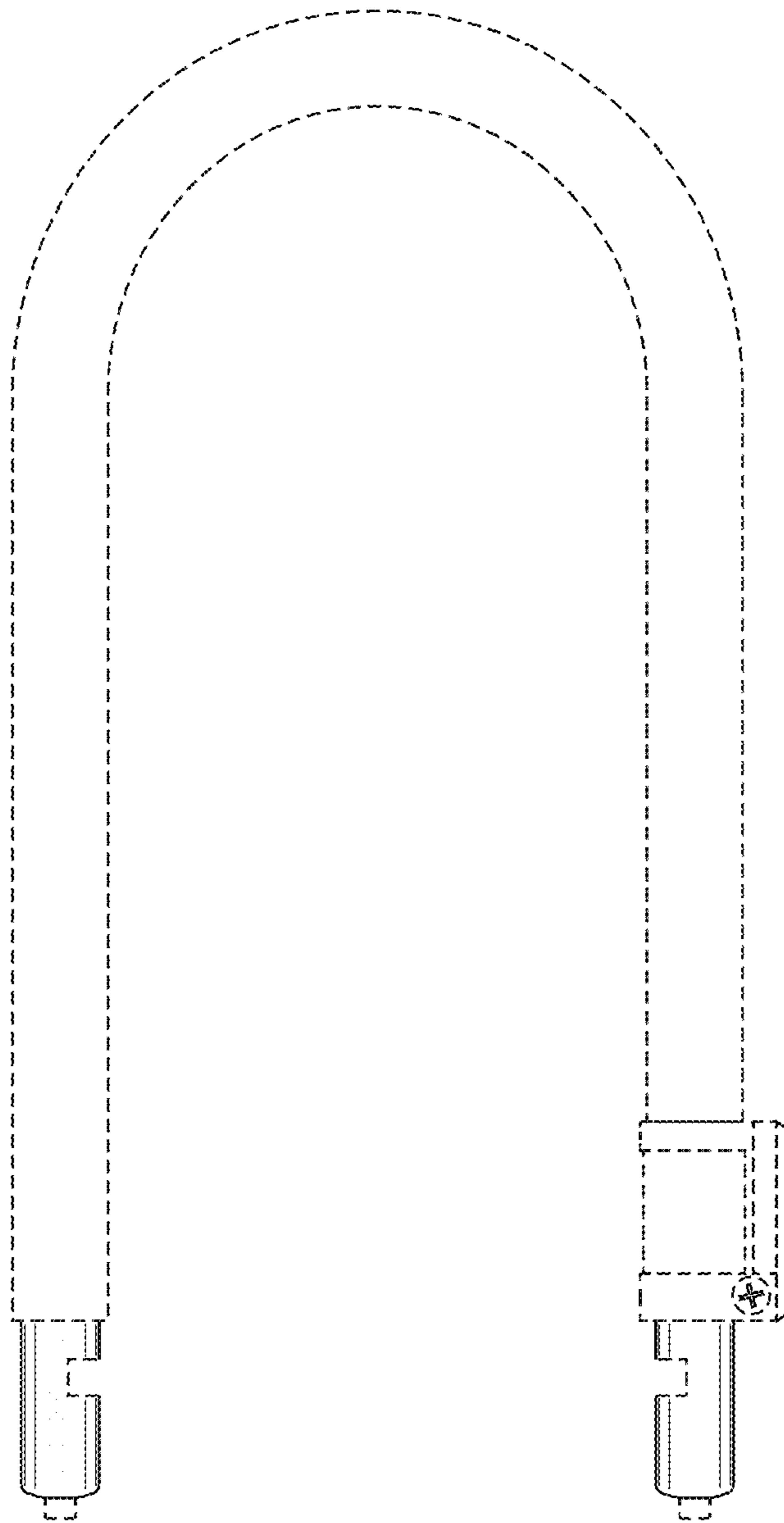


FIG. 9

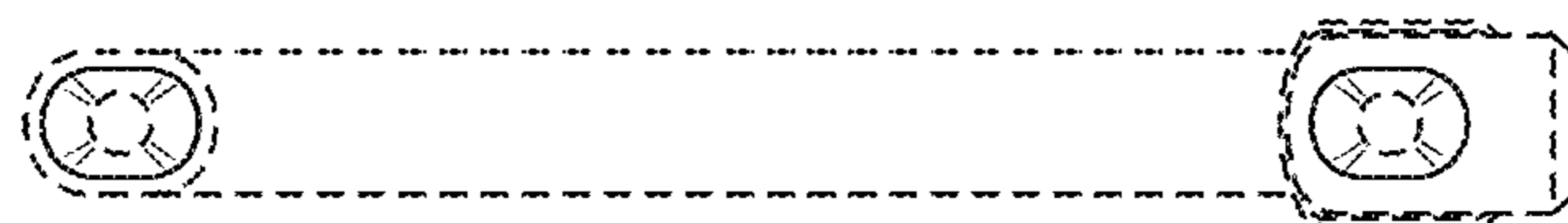


FIG. 10