



US00D791568S

(12) **United States Design Patent**  
**Ferrise**

(10) **Patent No.:** **US D791,568 S**

(45) **Date of Patent:** **\*\* Jul. 11, 2017**

(54) **WINGNUT KNOB**

(71) Applicant: **Joseph John Ferrise**, Allen Park, MI  
(US)

(72) Inventor: **Joseph John Ferrise**, Allen Park, MI  
(US)

(\*\*) Term: **15 Years**

(21) Appl. No.: **29/557,947**

(22) Filed: **Mar. 14, 2016**

(51) **LOC (10) Cl.** ..... **08-06**

(52) **U.S. Cl.**  
USPC ..... **D8/311**

(58) **Field of Classification Search**  
USPC .... D8/306, 311, 315, 319, 75, 77, 394, 397,  
D8/353; D24/136; D25/121

CPC ..... A47B 95/02  
See application file for complete search history.

(56) **References Cited**

**U.S. PATENT DOCUMENTS**

D64,095 S \* 2/1924 Yates ..... D8/307  
D65,142 S \* 7/1924 Roth ..... D8/307  
D85,771 S \* 12/1931 Ruppel ..... D8/307

D204,461 S \* 4/1966 Volker ..... D22/108  
D285,246 S \* 8/1986 Fetty ..... D23/250  
D372,854 S \* 8/1996 Jimenez ..... D8/307  
D469,679 S \* 2/2003 Nykoluk ..... D8/302  
D569,217 S \* 5/2008 Nahls ..... D8/302  
D605,024 S \* 12/2009 Cotton ..... D8/302  
D613,823 S \* 4/2010 Sofield ..... D23/250  
D680,407 S \* 4/2013 Ramsland ..... D8/307  
D772,684 S \* 11/2016 Zimmer ..... D8/307

\* cited by examiner

*Primary Examiner* — Mark Goodwin

*Assistant Examiner* — Melvin Davis

(74) *Attorney, Agent, or Firm* — Varnum, Riddering,  
Schmidt and Howlett, LLP

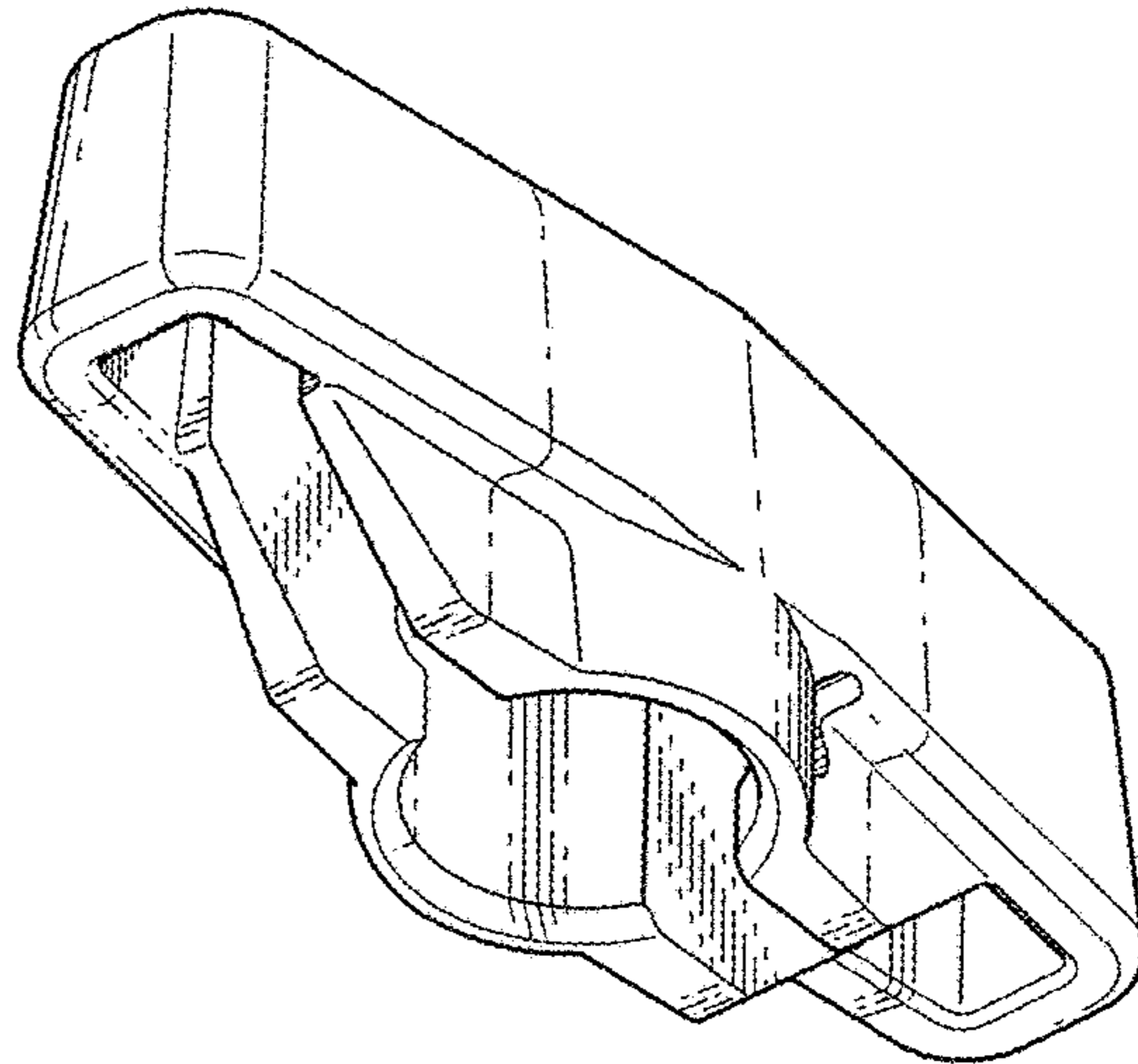
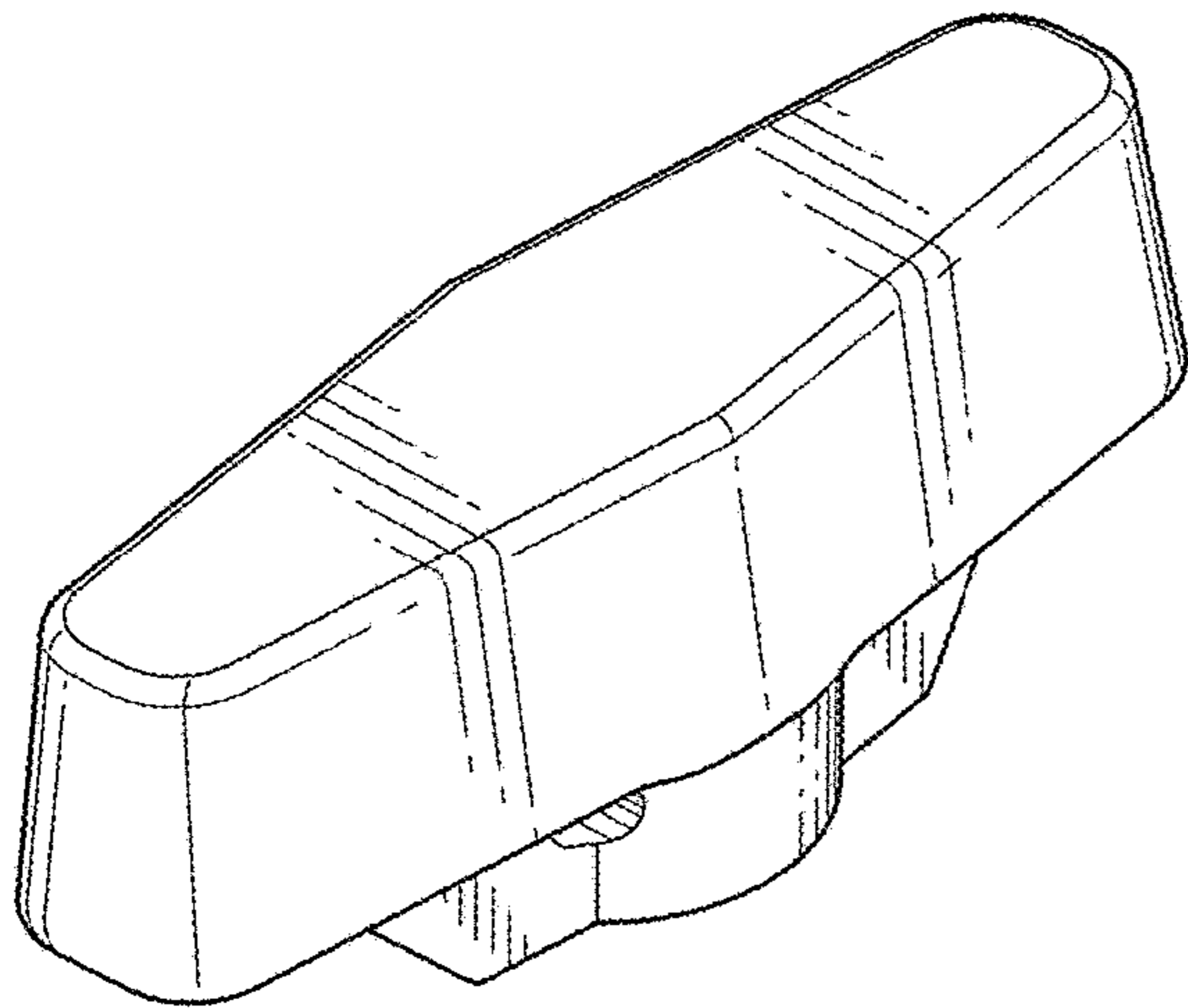
(57) **CLAIM**

The ornamental design for a wingnut knob, as shown and described.

**DESCRIPTION**

FIG. 1 is a perspective view of a wingnut knob;  
FIG. 2 is an underside perspective view thereof;  
FIG. 3 is a side view thereof;  
FIG. 4 is a top view thereof;  
FIG. 5 is a front view thereof;  
FIG. 6 is a rear view thereof; and,  
FIG. 7 is a bottom view thereof.

**1 Claim, 2 Drawing Sheets**



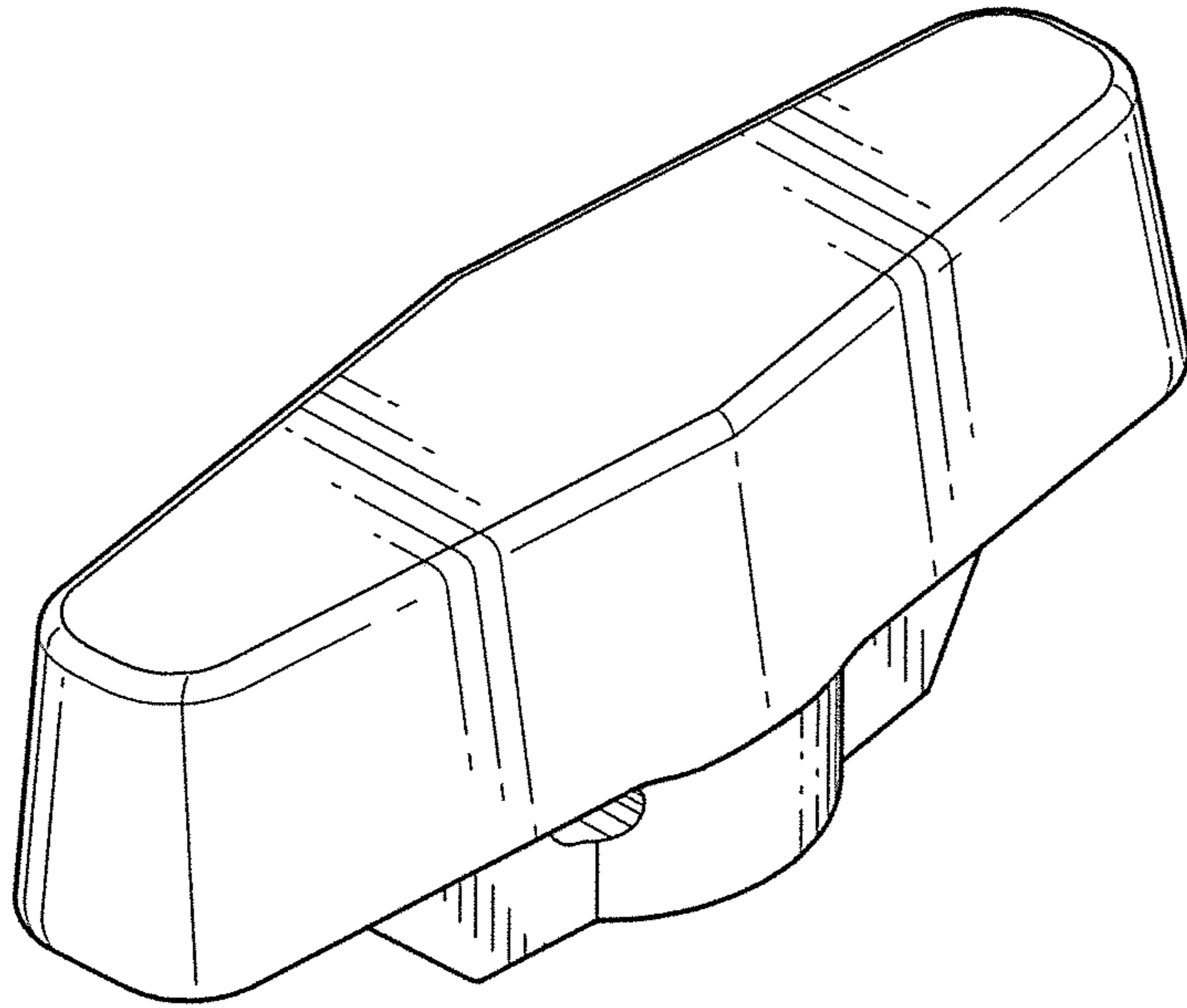


Fig-1

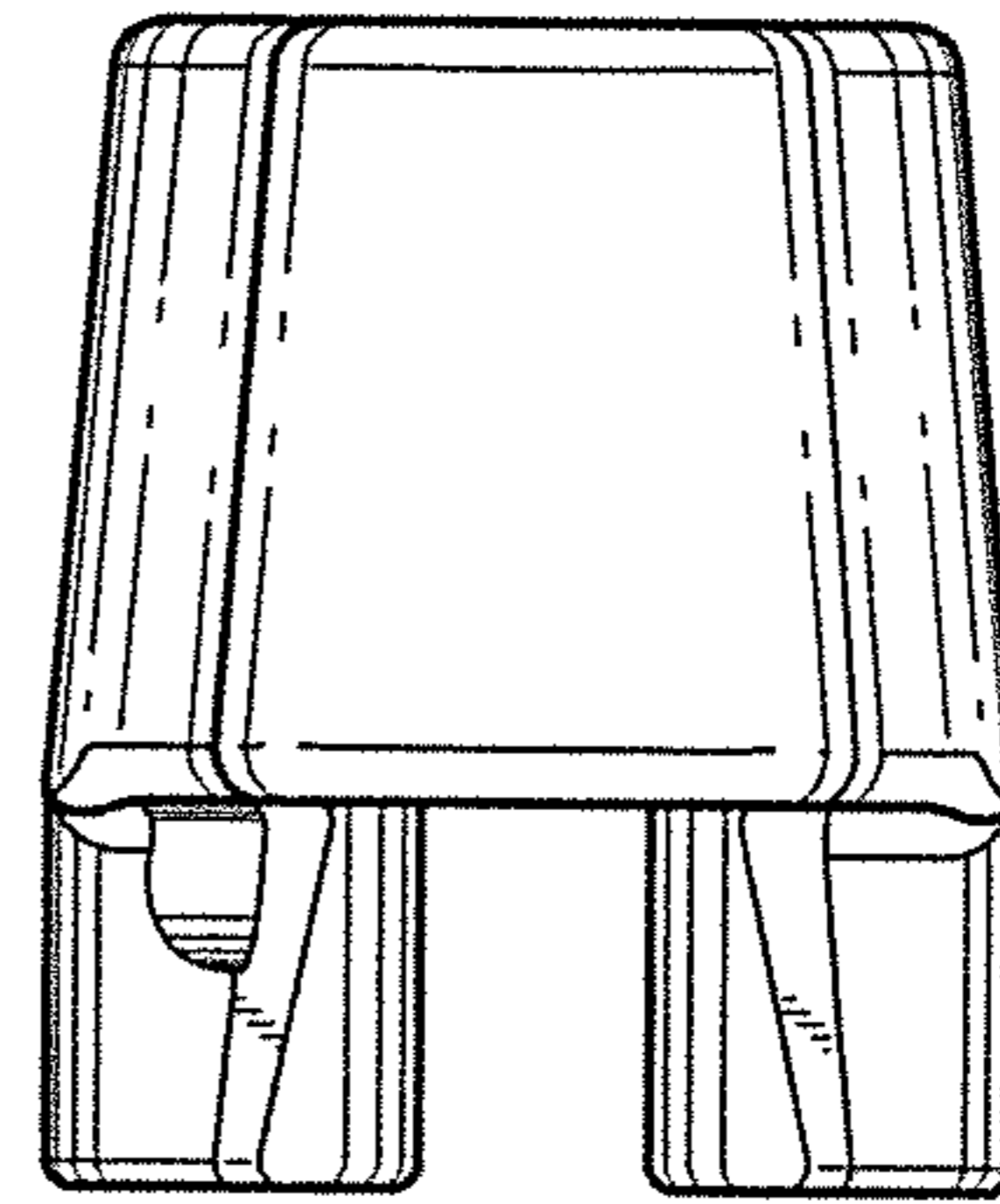


Fig-3

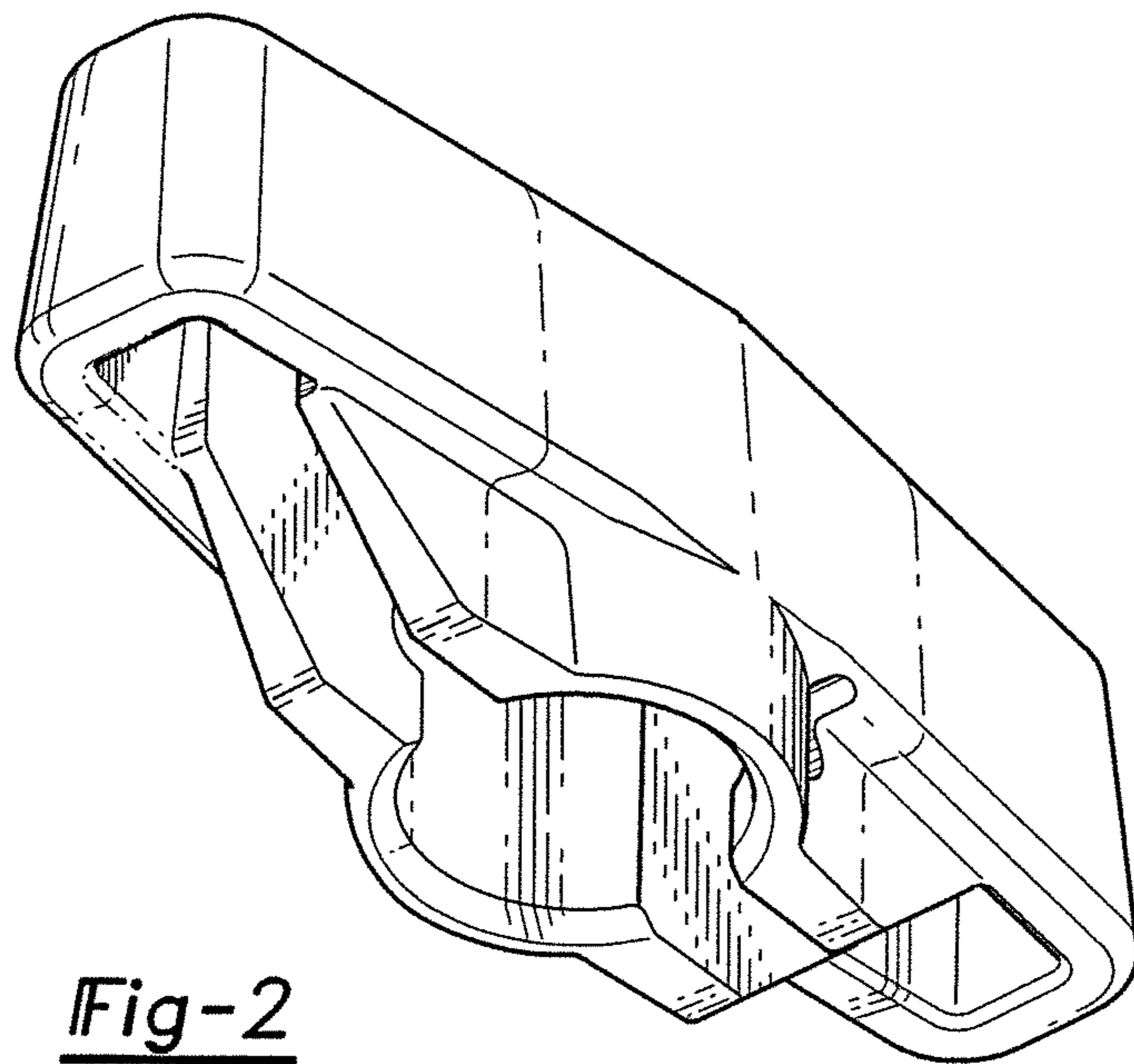


Fig-2

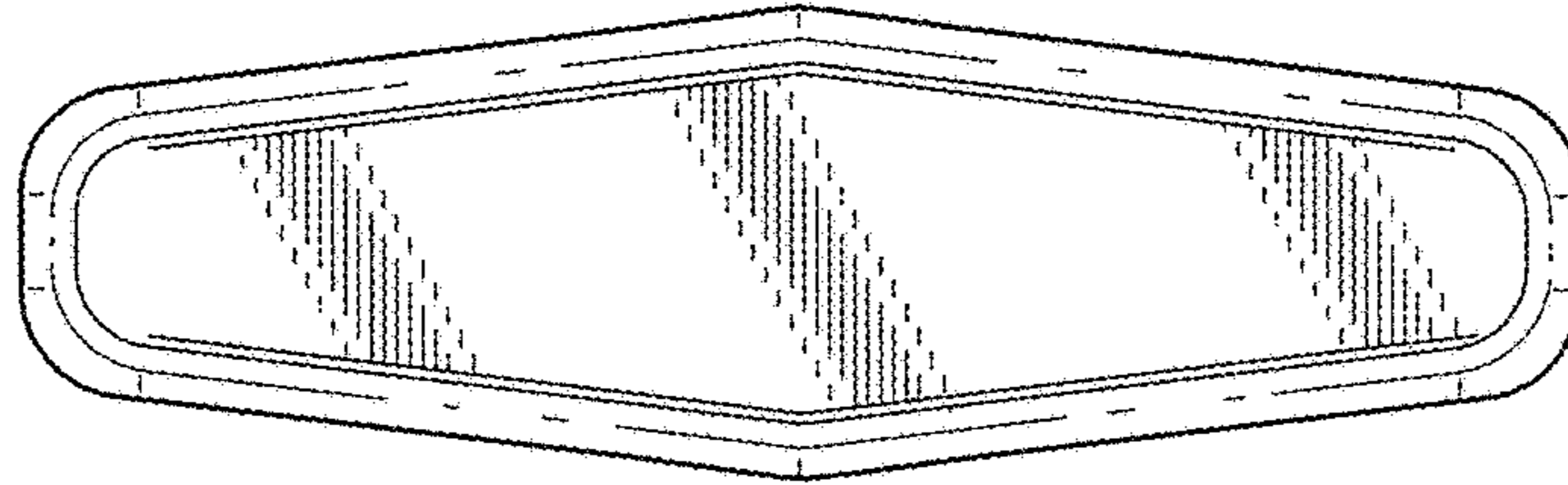


Fig-4

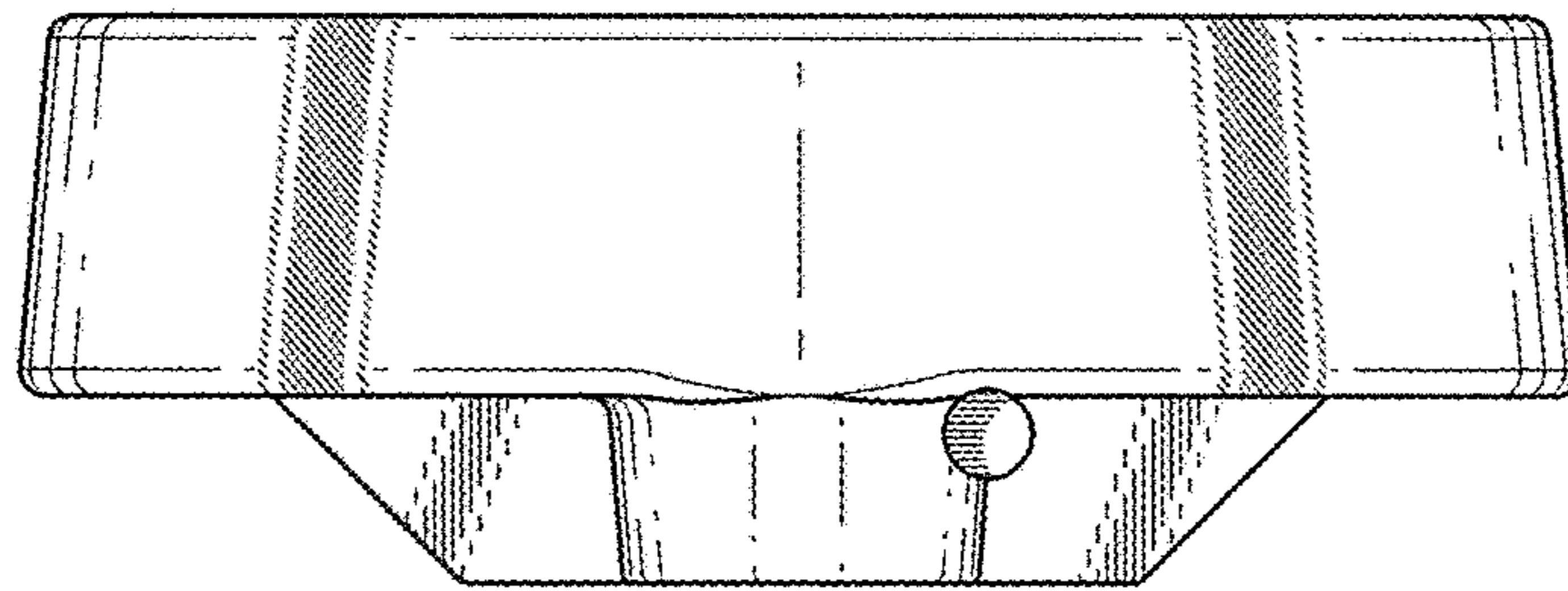


Fig-5

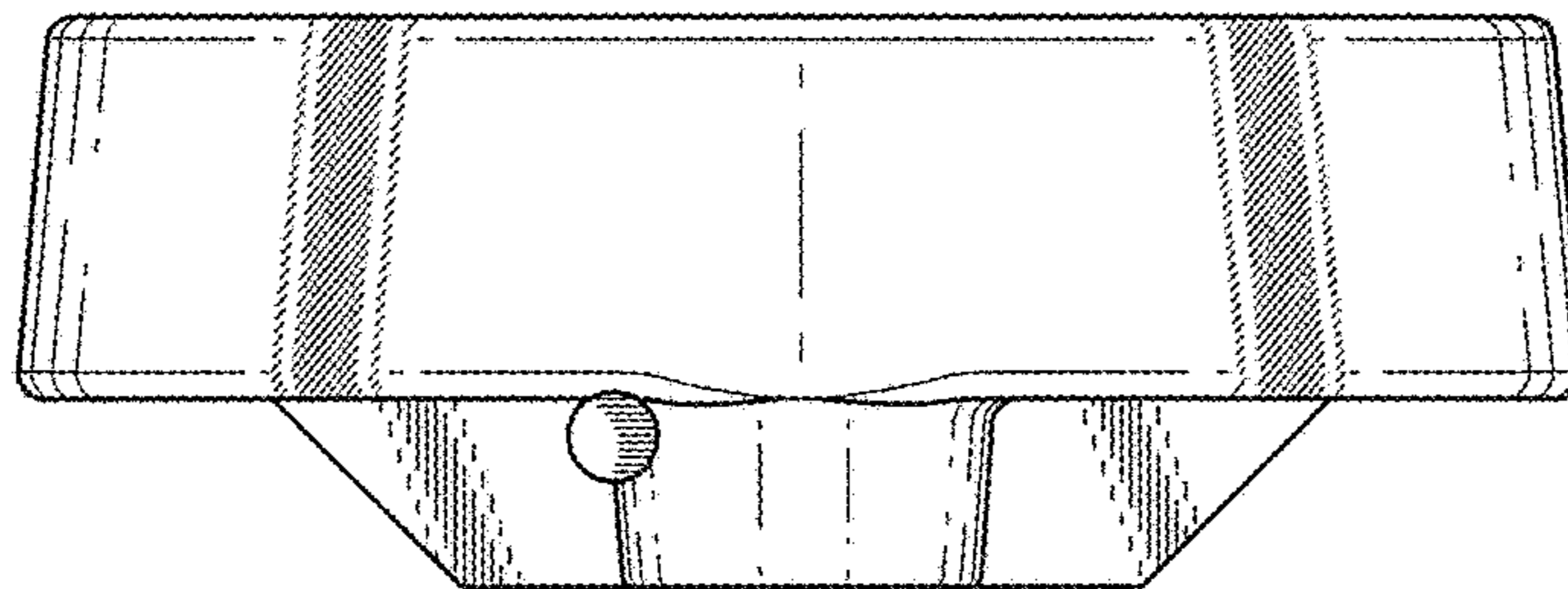


Fig-6

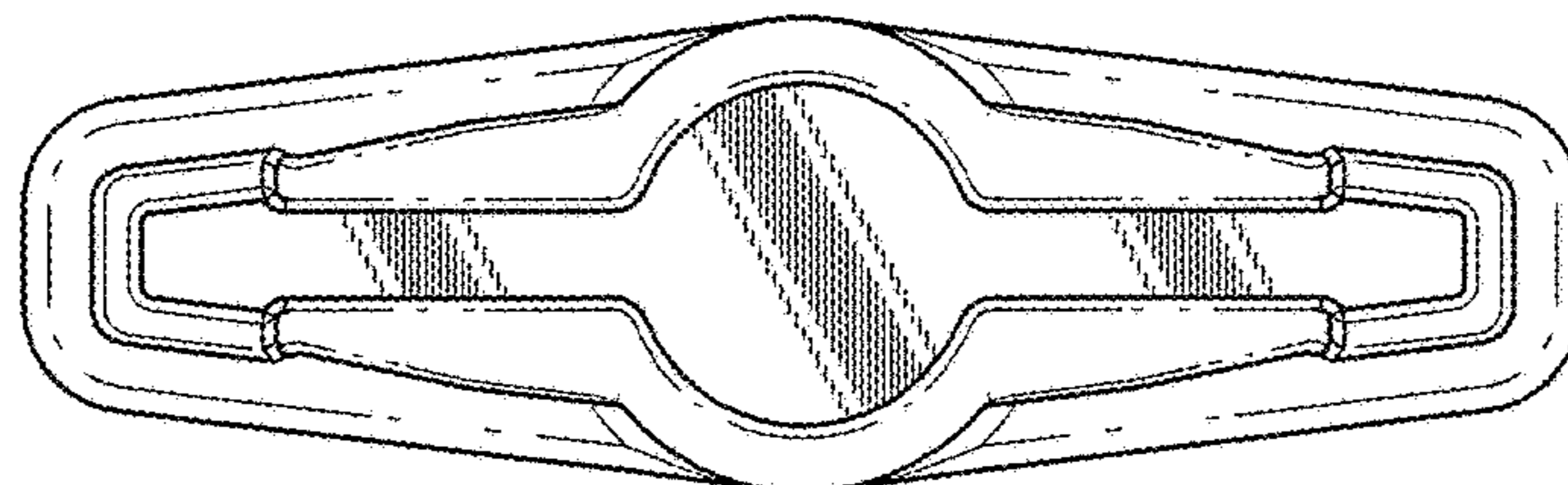


Fig-7