



US00D791567S

(12) **United States Design Patent**  
**Incukur**

(10) **Patent No.:** **US D791,567 S**

(45) **Date of Patent:** **\*\* Jul. 11, 2017**

(54) **OVEN KNOB**

(71) Applicant: **Arcelik Anonim Sirketi**, Istanbul (TR)

(72) Inventor: **Ali Ihsan Incukur**, Istanbul (TR)

(73) Assignee: **Arcelik Anonim Sirketi**, Istanbul (TR)

(\*\*) Term: **15 Years**

(21) Appl. No.: **29/556,886**

(22) Filed: **Mar. 3, 2016**

(30) **Foreign Application Priority Data**

Sep. 3, 2015 (EM) ..... 002765149

(51) **LOC (10) Cl.** ..... **08-06**

(52) **U.S. Cl.**  
USPC ..... **D8/311**

(58) **Field of Classification Search**  
USPC ..... D8/107, 300, 301, 307, 310, 311, 312;  
D23/250, 421; 74/553, 554, 555, 556,  
74/558, 543; D7/393, 394, 396, 402,  
D7/406, 543, 545, 547, 548; 16/110.1,  
16/422, 426, 430, 443  
CPC ... Y10T 292/57; Y10T 292/82; Y10T 16/469;  
Y10T 16/44; Y10T 16/476; Y10T  
74/2084; Y10T 292/85; Y10T 74/2087;  
Y10T 16/4713; Y10T 16/506; Y10T  
74/20876; Y10T 74/20612; Y10T  
70/5765; Y10T 16/459; Y10T 74/2066;  
Y10T 16/487; Y10T 74/20822

See application file for complete search history.

(56) **References Cited**

**U.S. PATENT DOCUMENTS**

D498,657 S \* 11/2004 Milrud ..... D8/311  
D525,518 S \* 7/2006 Baldwin ..... D8/310

D559,206 S \* 1/2008 Neveu ..... D13/174  
D577,983 S \* 10/2008 Martin ..... D8/311  
D587,556 S \* 3/2009 Marks ..... D8/300  
D612,704 S \* 3/2010 Funnell ..... D8/310  
D612,705 S \* 3/2010 Baker ..... D8/311  
D628,457 S \* 12/2010 Bengtson ..... D8/311  
D634,602 S \* 3/2011 Bengtson ..... D8/311  
D637,886 S \* 5/2011 Bengtson ..... D8/311  
D642,042 S \* 7/2011 Kim ..... D8/311  
8,662,102 B2 \* 3/2014 Shaffer ..... F24C 3/124  
126/52  
D703,998 S \* 5/2014 Funnell, II ..... D7/393  
D710,673 S \* 8/2014 Boo ..... G05G 1/10  
D8/311  
D715,126 S \* 10/2014 Kim ..... D7/393  
D722,815 S \* 2/2015 Fuller ..... D7/393  
D726,524 S \* 4/2015 Borjesson ..... D8/311  
D751,516 S \* 3/2016 Oneufer ..... D13/174  
D766,699 S \* 9/2016 Vergin ..... D8/311

(Continued)

*Primary Examiner* — Derrick Holland

*Assistant Examiner* — Lauren Calve

(74) *Attorney, Agent, or Firm* — Fox Rothschild LLP

(57) **CLAIM**

The ornamental design for an oven knob, as shown and described.

**DESCRIPTION**

FIG. 1 is a perspective view of an oven knob of the present invention.

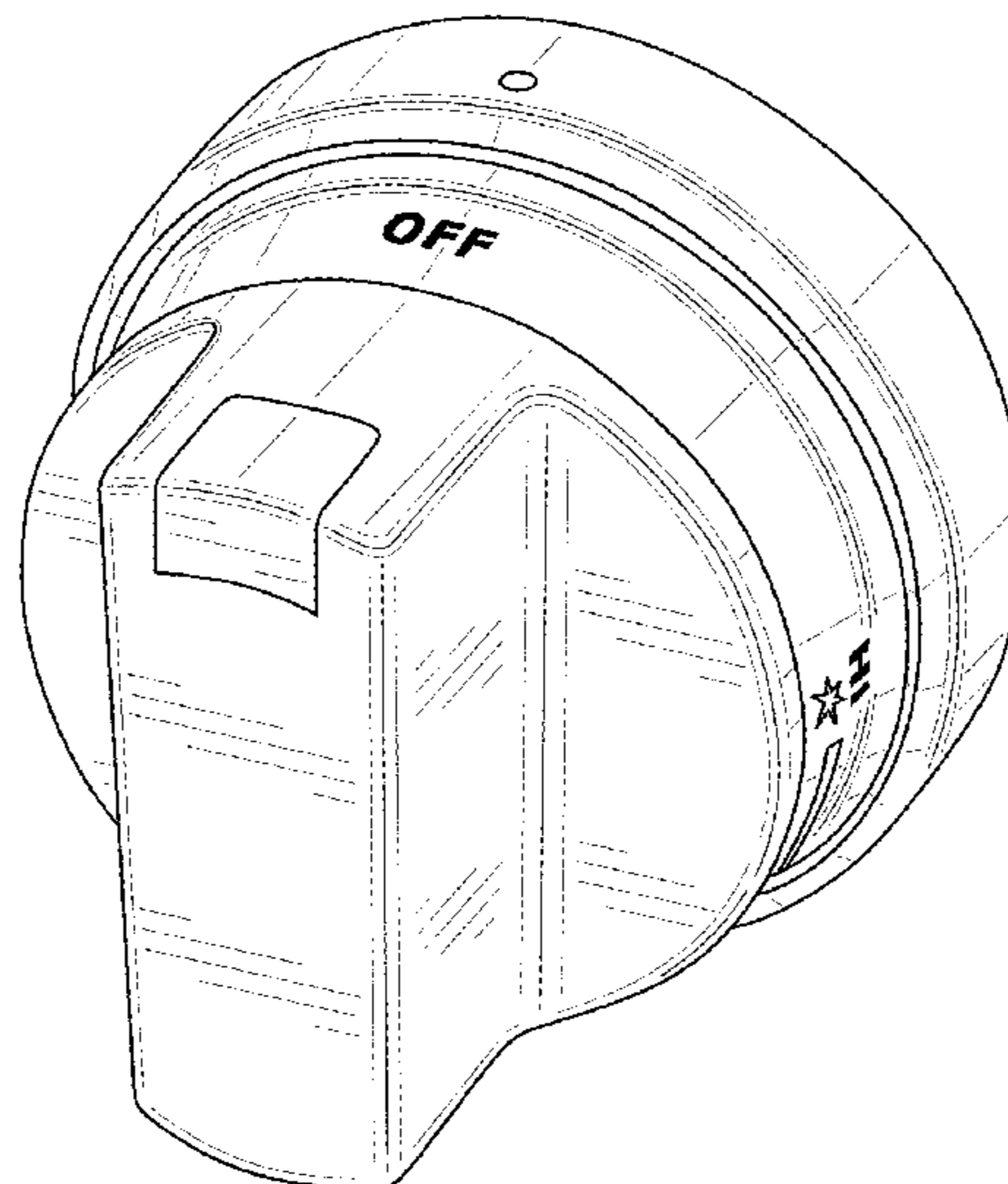
FIG. 2 is a front elevation view of the oven knob of FIG. 1, FIG. 3 is a top plan view of the oven knob of FIG. 1.

FIG. 4 is a right side elevation view of the oven knob of FIG. 1.

FIG. 5 is a left side elevation view of the oven knob of FIG. 1; and,

FIG. 6 is a bottom plan view of the oven knob of FIG. 1. The rear view is not shown and forms no part of the claimed design.

**1 Claim, 6 Drawing Sheets**



(56)

**References Cited**

U.S. PATENT DOCUMENTS

2009/0139367 A1\* 6/2009 Rosa ..... G05D 23/1902  
74/553  
2015/0370283 A1\* 12/2015 Lawson ..... G05G 1/082  
74/553

\* cited by examiner

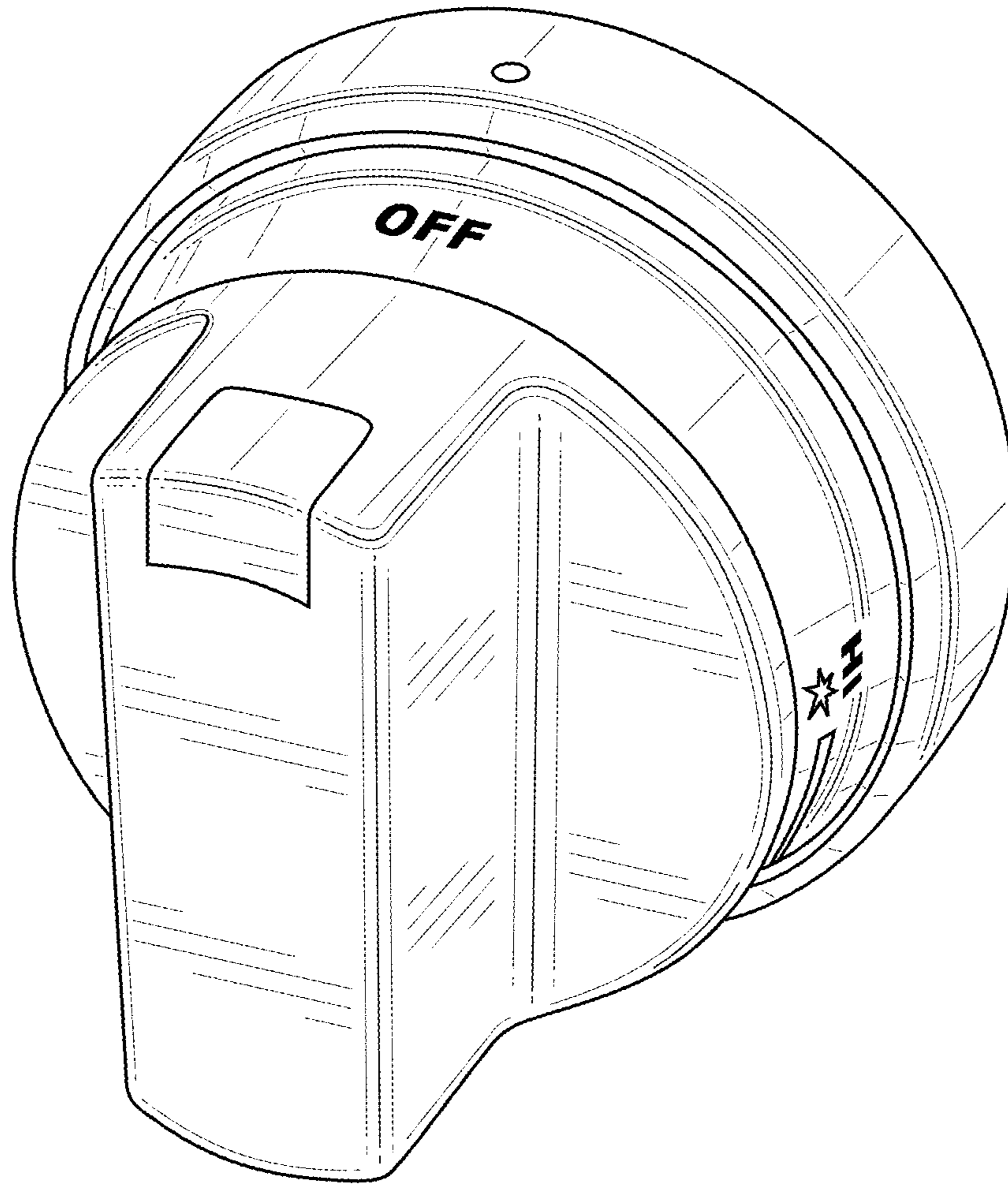


FIG. 1

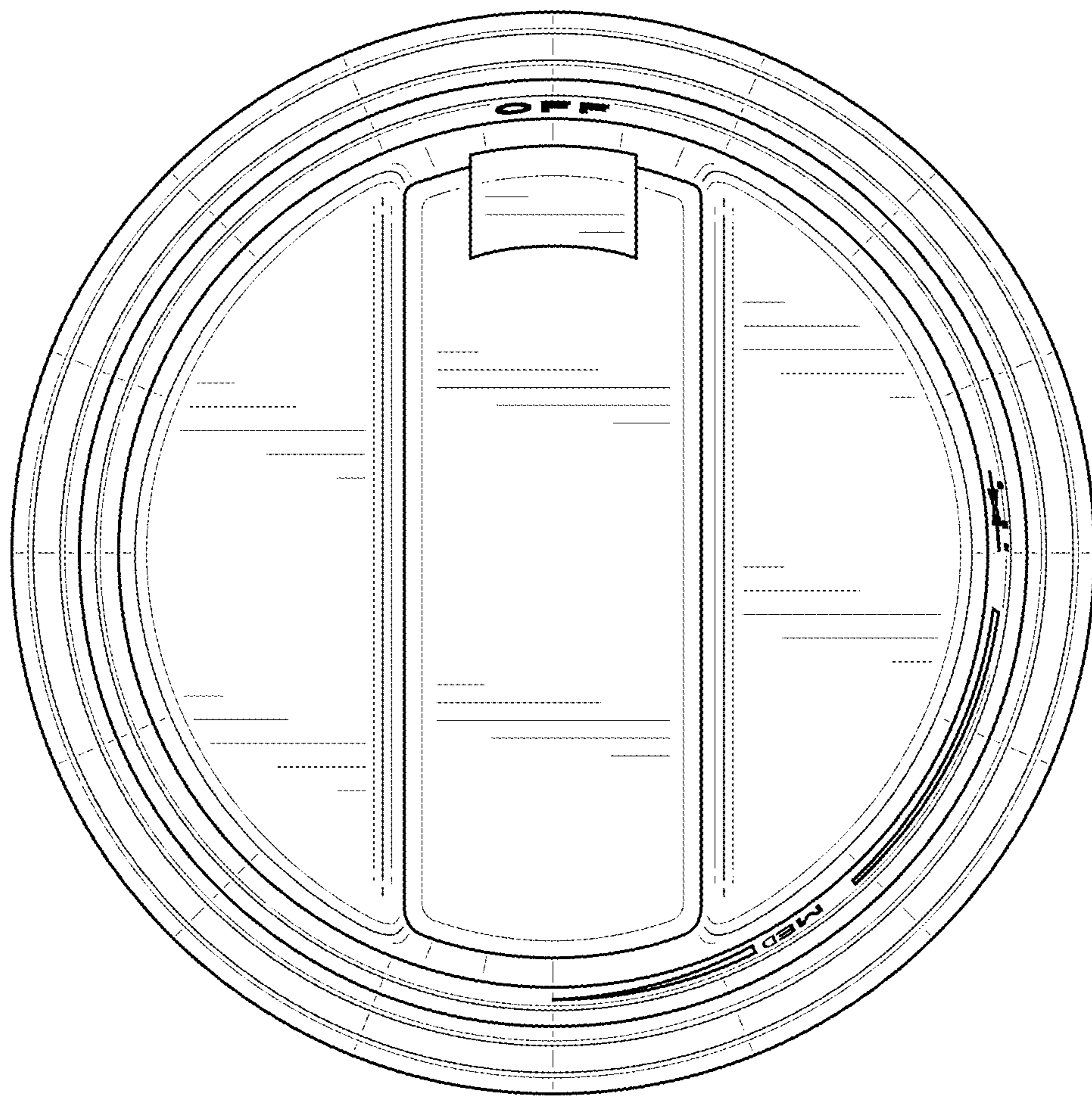


FIG. 2

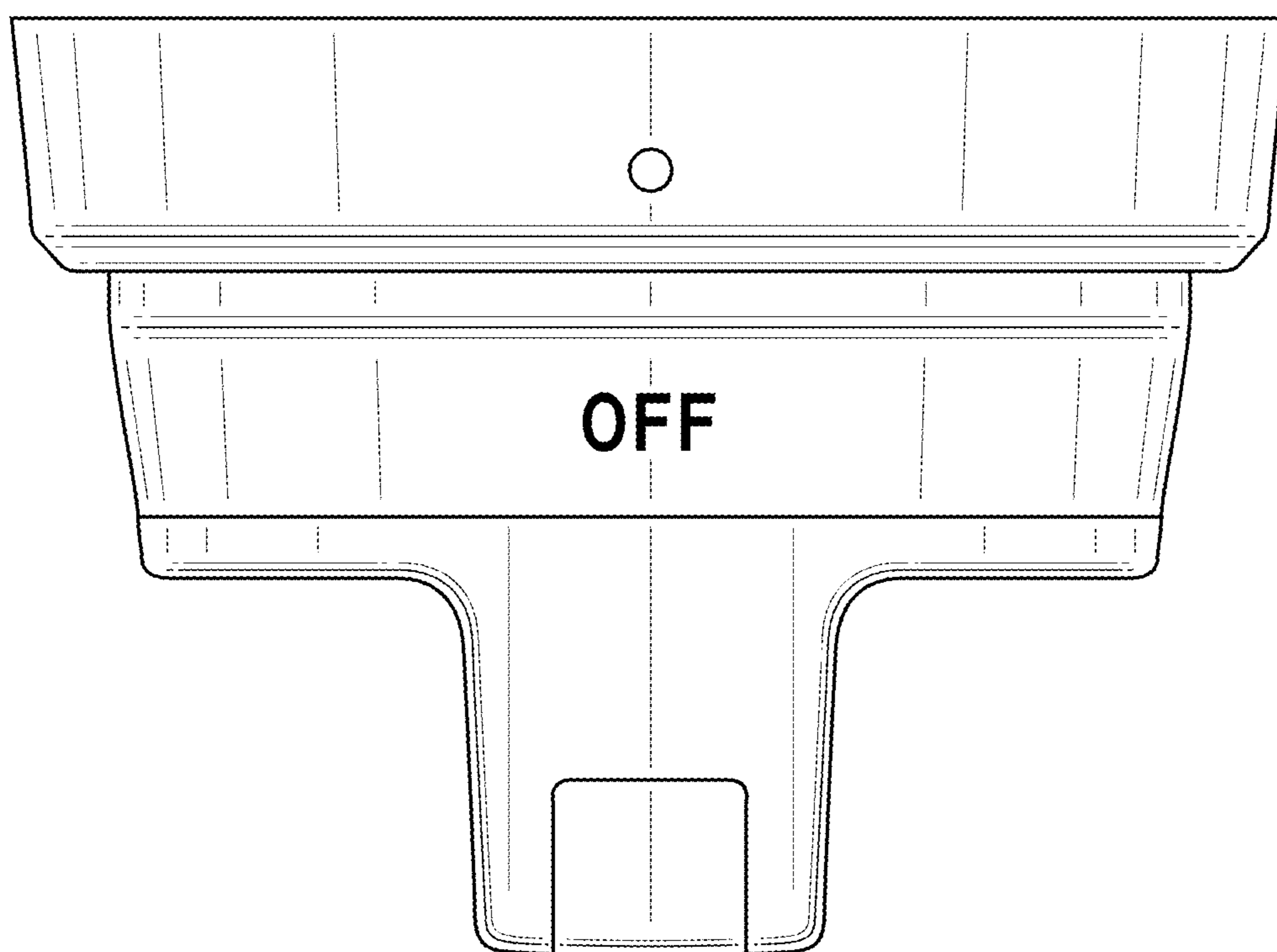


FIG. 3

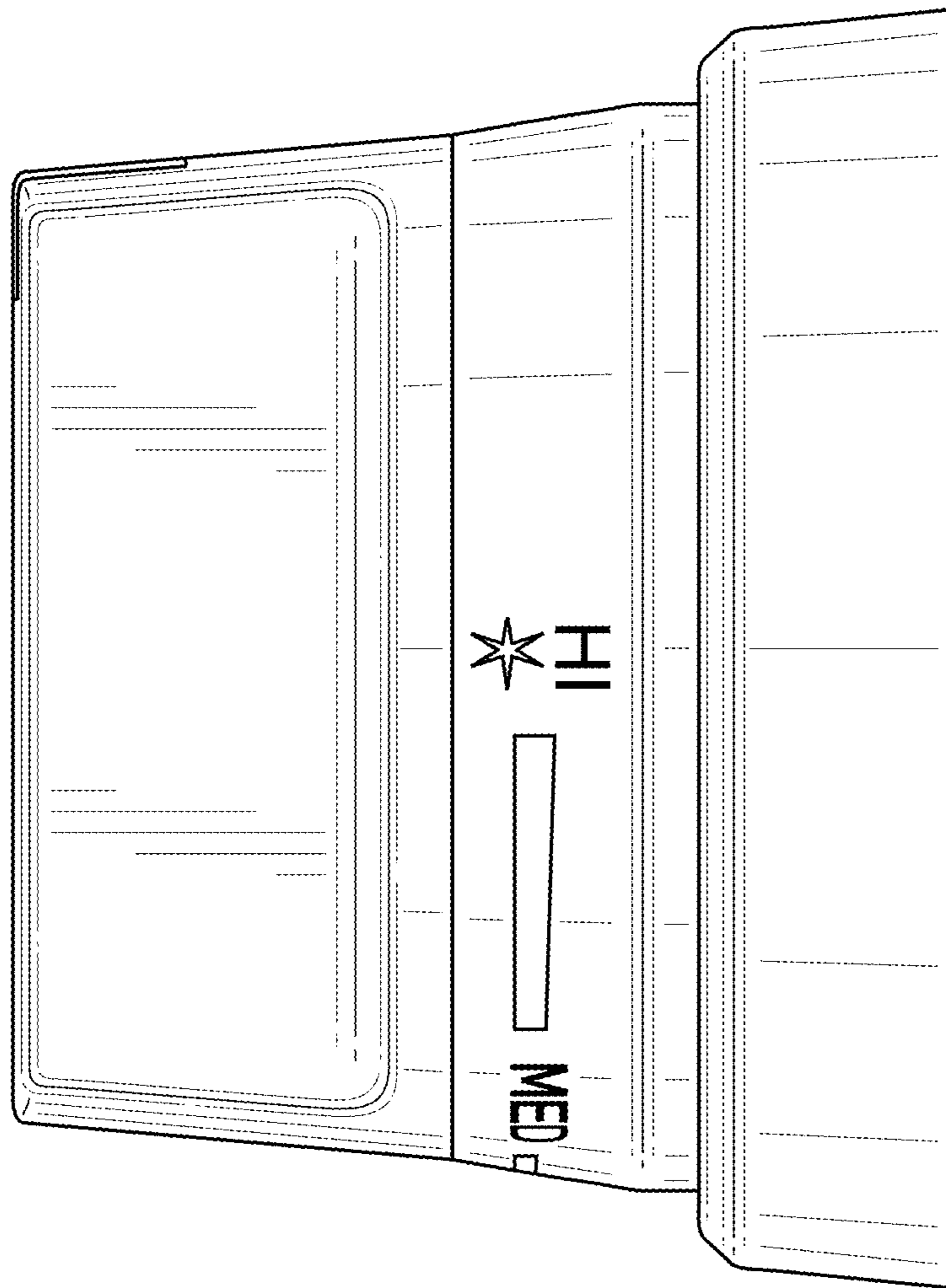


FIG. 4

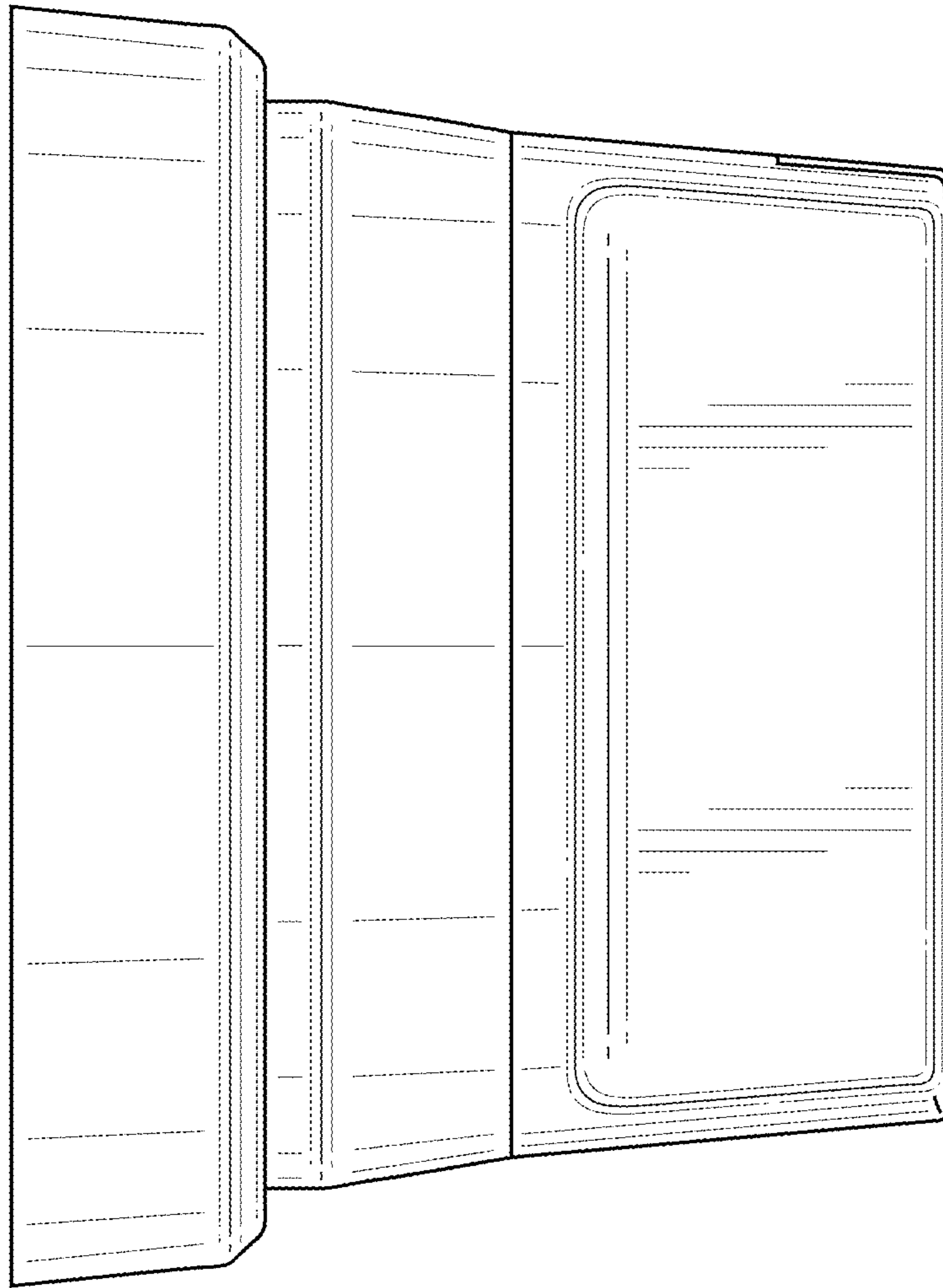


FIG. 5

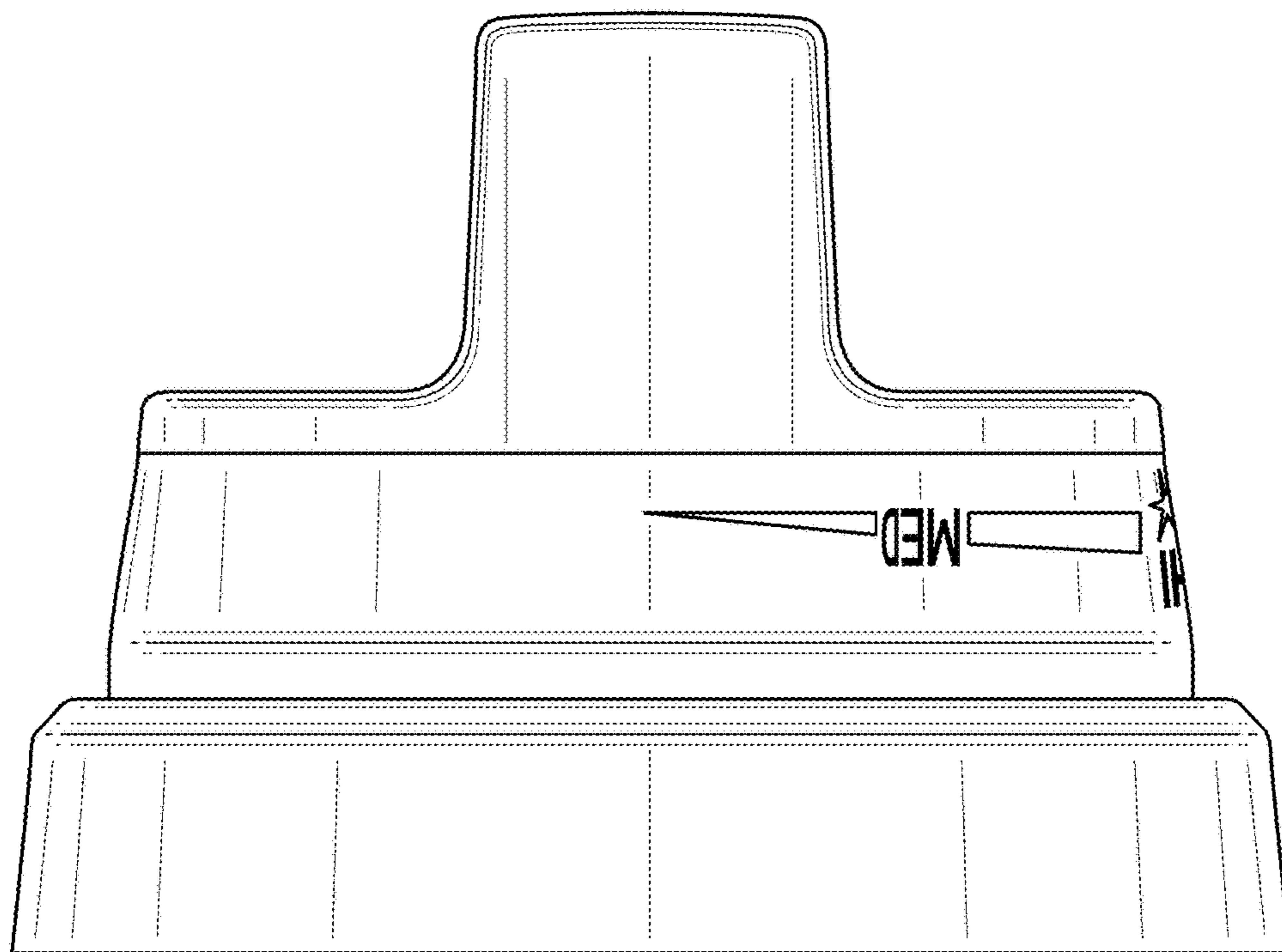


FIG. 6