



US00D791566S

(12) **United States Design Patent**  
**Howell**

(10) **Patent No.:** **US D791,566 S**

(45) **Date of Patent:** **\*\* Jul. 11, 2017**

(54) **HANDLE**

(71) Applicant: **Lindie Jo Howell**, Ochlocknee, GA  
(US)

(72) Inventor: **Lindie Jo Howell**, Ochlocknee, GA  
(US)

(\*\*) Term: **15 Years**

(21) Appl. No.: **29/556,694**

(22) Filed: **Mar. 2, 2016**

(51) **LOC (10) Cl.** ..... **08-06**

(52) **U.S. Cl.**  
USPC ..... **D8/302**

(58) **Field of Classification Search**  
USPC ..... D8/302, 305, 307, 311, 315, 397;  
D24/136; D25/107, 121; D6/308, 309;  
D23/250  
CPC ..... A47B 95/02  
See application file for complete search history.

(56) **References Cited**

**U.S. PATENT DOCUMENTS**

D163,487 S \* 5/1951 Shustack ..... D23/263  
D335,811 S \* 5/1993 Bengtson ..... D23/250  
D398,962 S \* 9/1998 Hundley ..... D23/252

D440,637 S \* 4/2001 Lefroy-Brooks ..... D23/238  
D440,638 S \* 4/2001 Lefroy-Brooks ..... D23/255  
D574,214 S \* 8/2008 Daniels ..... D8/305  
D630,305 S \* 1/2011 Adams ..... D23/259  
D680,407 S \* 4/2013 Ramsland ..... D8/307  
D680,848 S \* 4/2013 Jou ..... D8/305  
D717,141 S \* 11/2014 Kittelburger ..... D8/14  
D772,684 S \* 11/2016 Zimmer ..... D8/307

\* cited by examiner

*Primary Examiner* — Mark Goodwin

*Assistant Examiner* — Melvin Davis

(74) *Attorney, Agent, or Firm* — Brian D. Bellamy

(57) **CLAIM**

The ornamental design for a handle, as shown and described.

**DESCRIPTION**

FIG. 1 is a perspective view of a handle showing my new design;

FIG. 2 is a right side view thereof;

FIG. 3 is a left side view thereof;

FIG. 4 is a front side view thereof;

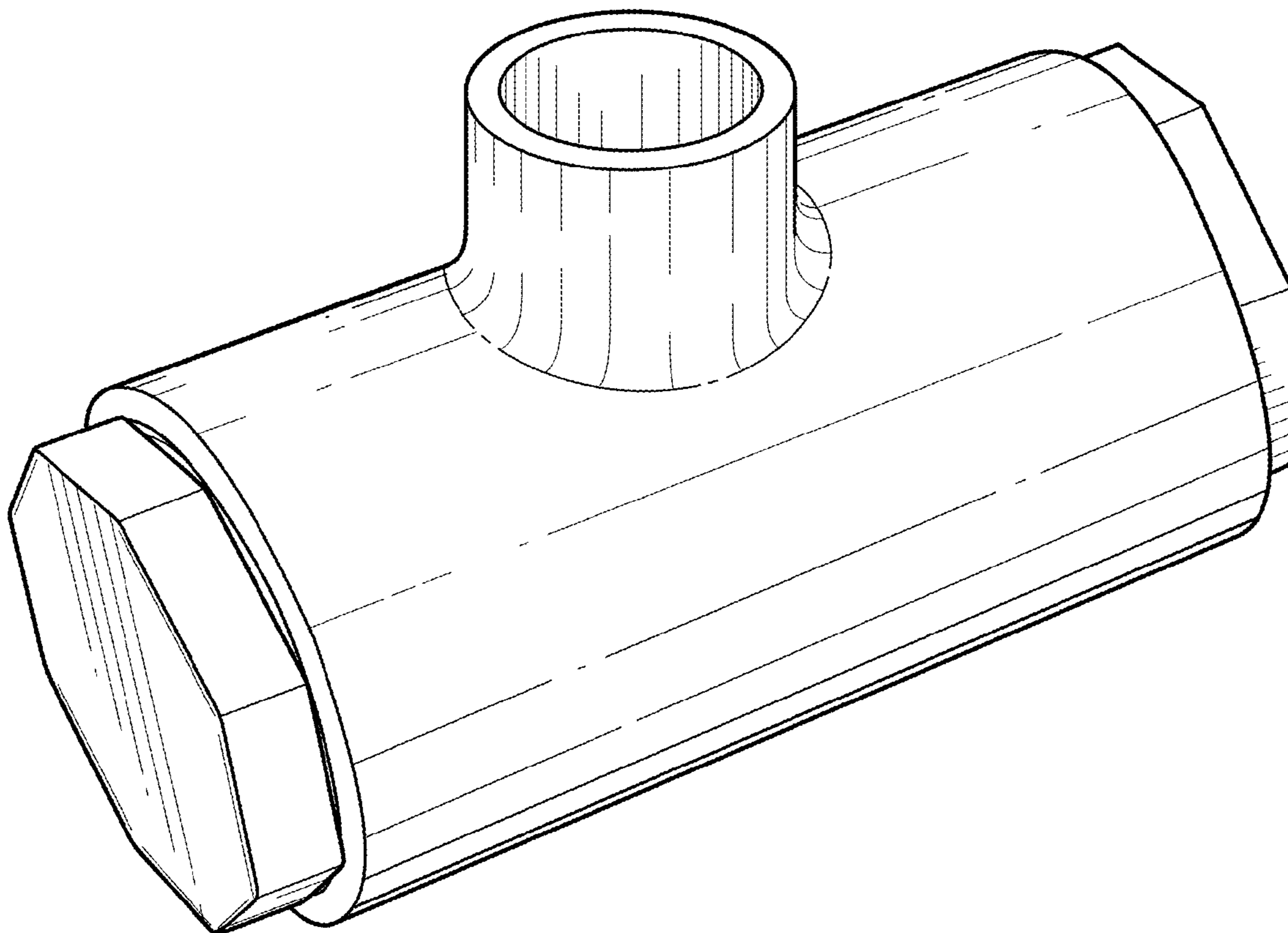
FIG. 5 is a rear side view thereof;

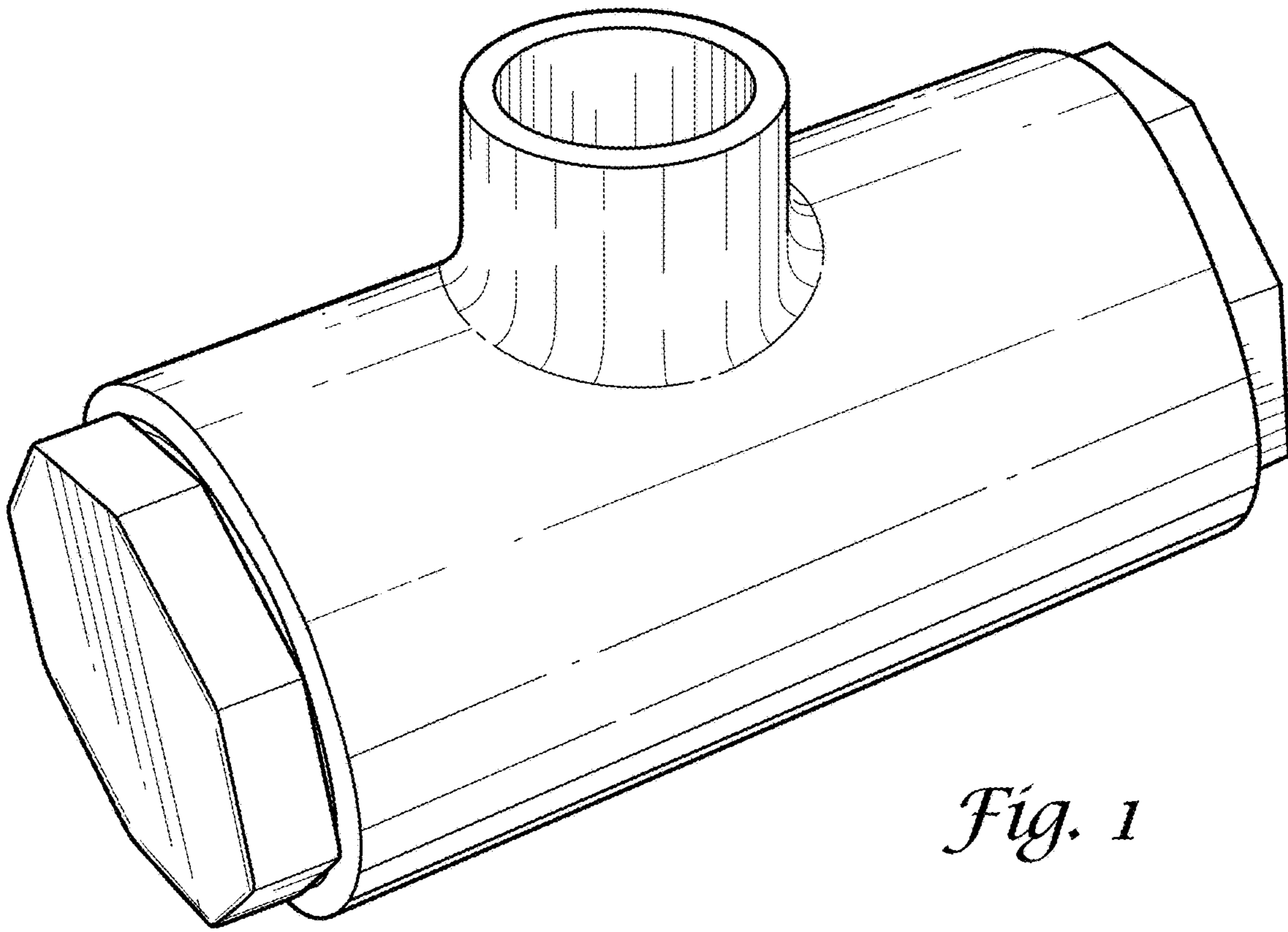
FIG. 6 is a top view thereof; and,

FIG. 7 is a bottom view thereof.

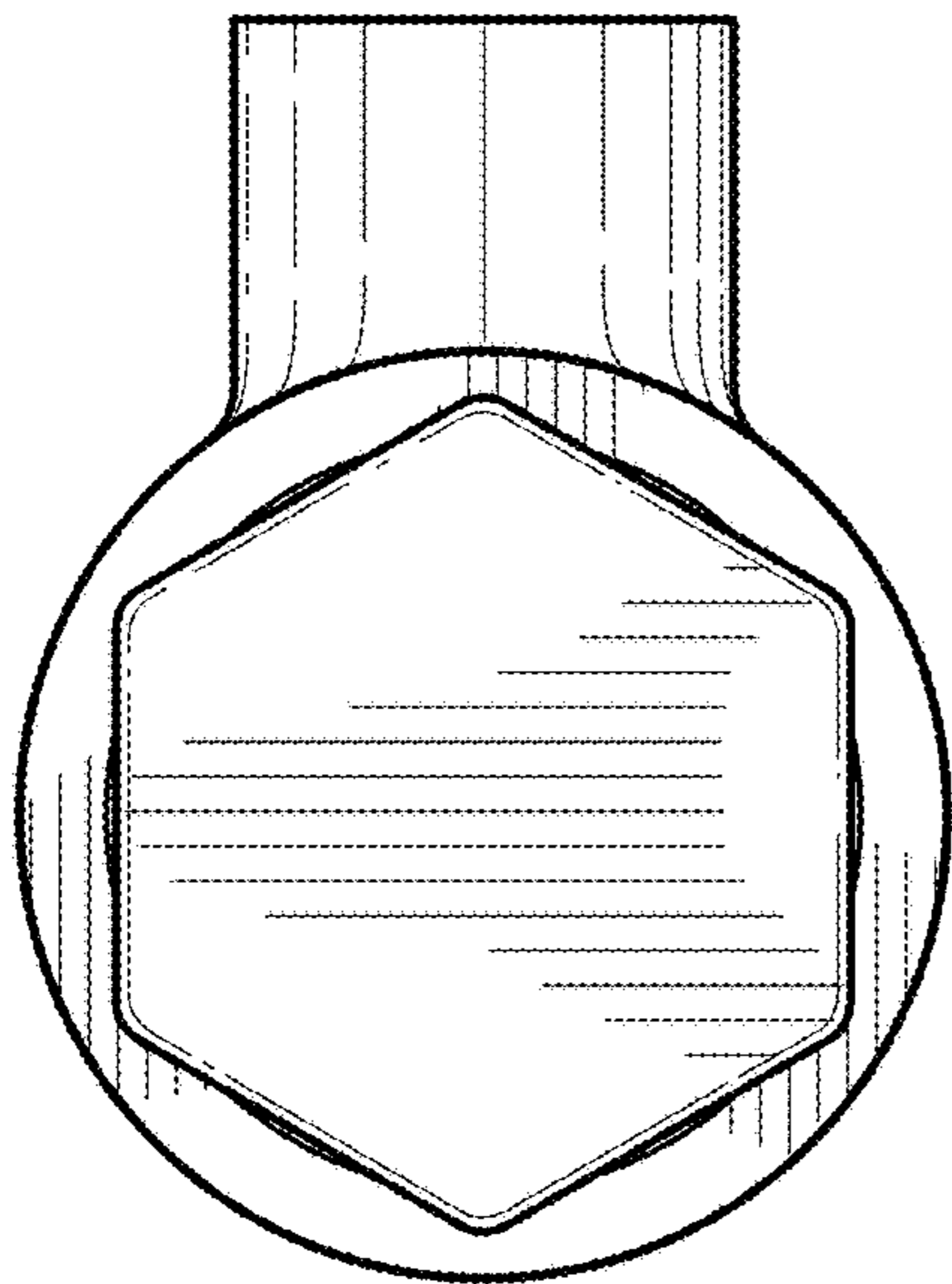
The parts of the article demarcated by broken line form no part of the claimed design.

**1 Claim, 3 Drawing Sheets**

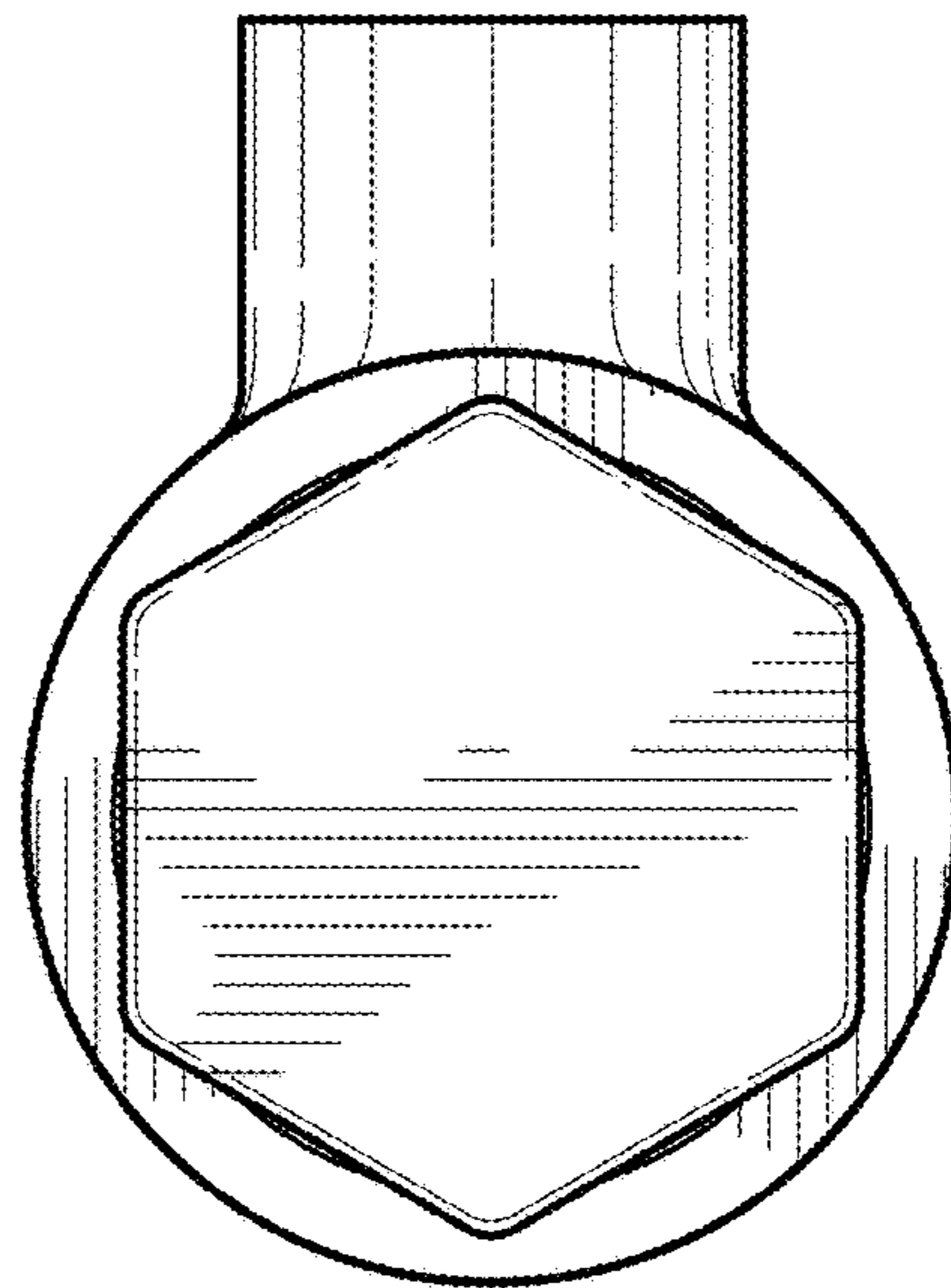




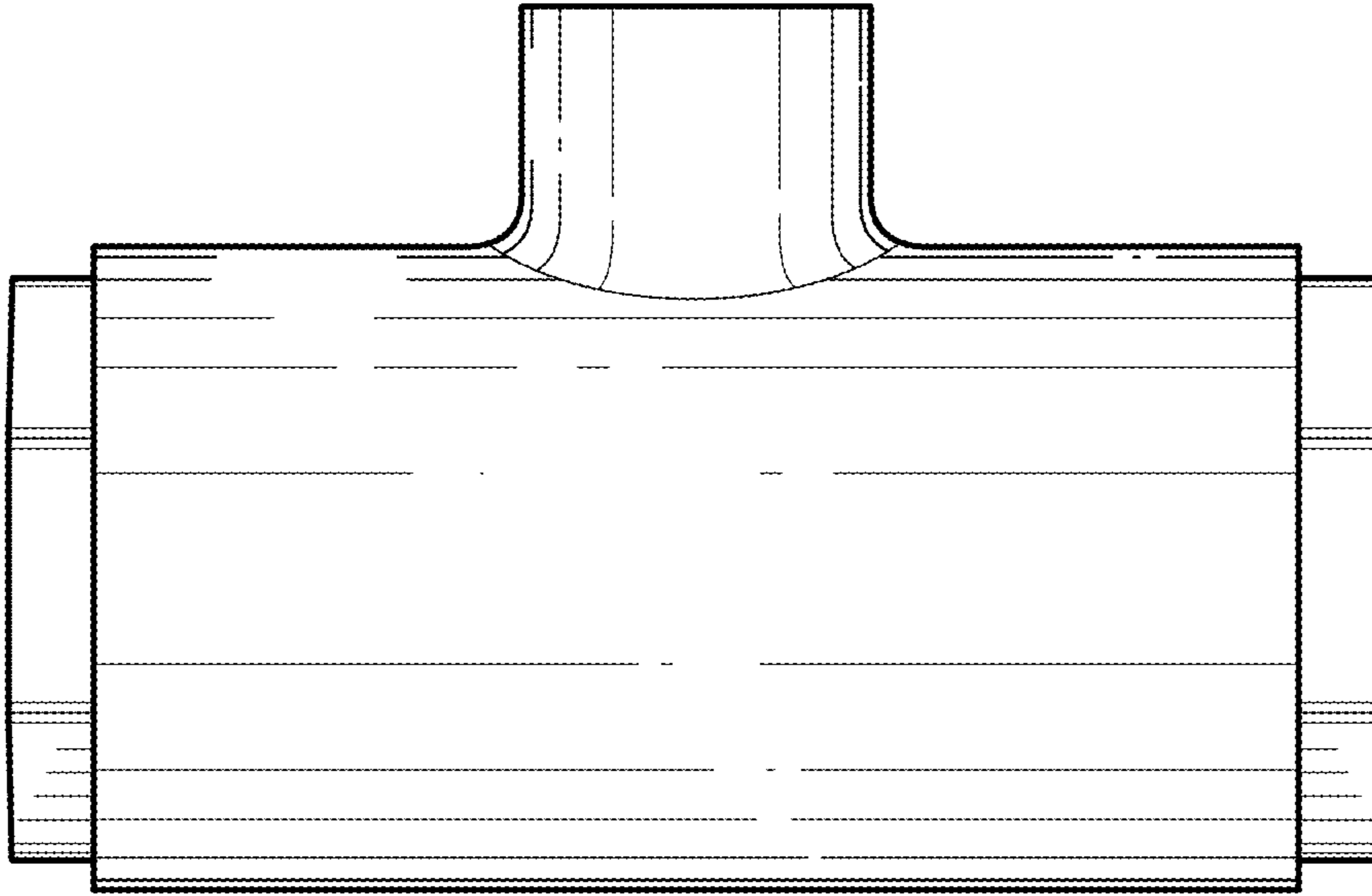
*Fig. 1*



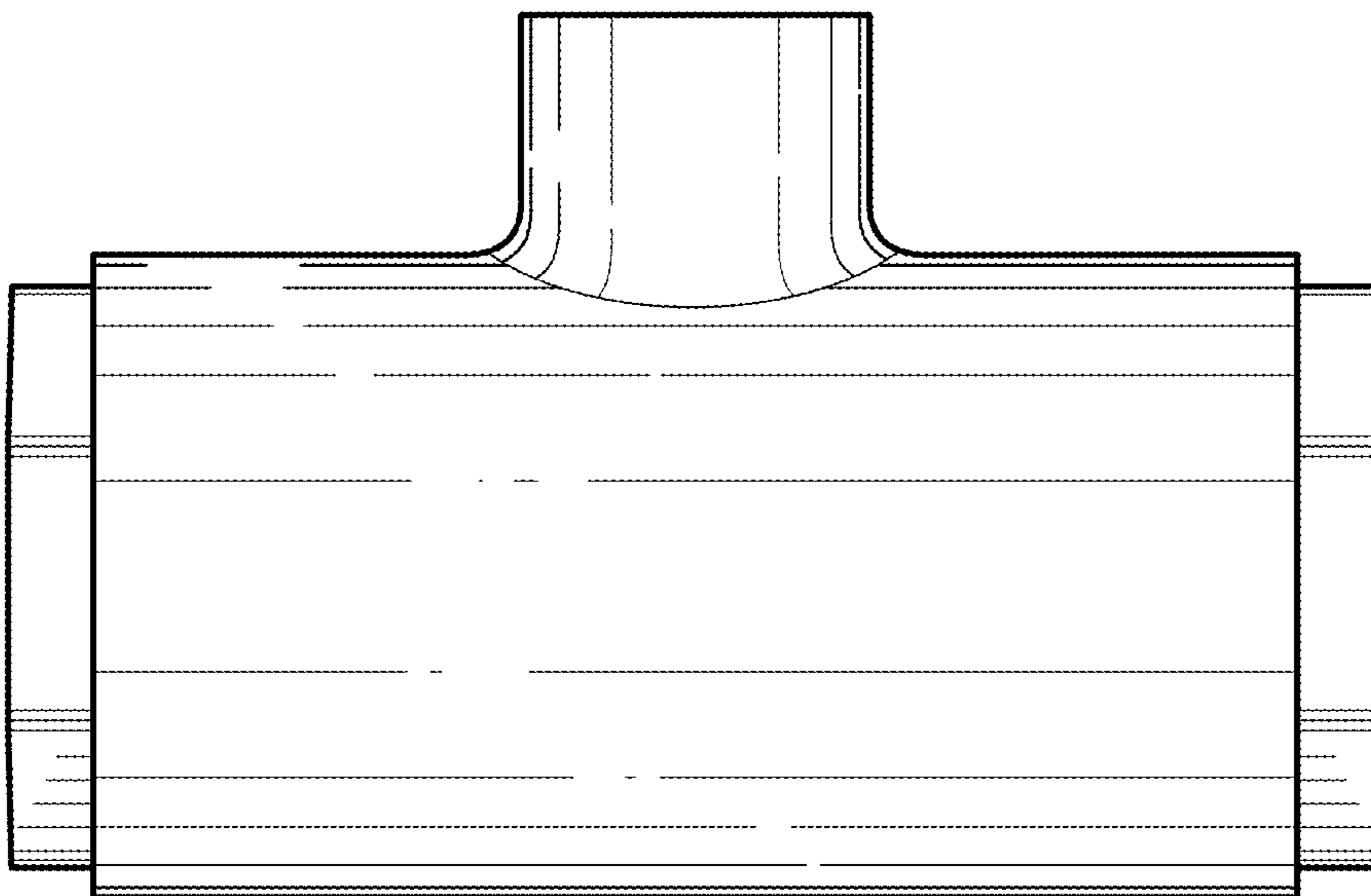
*Fig. 2*



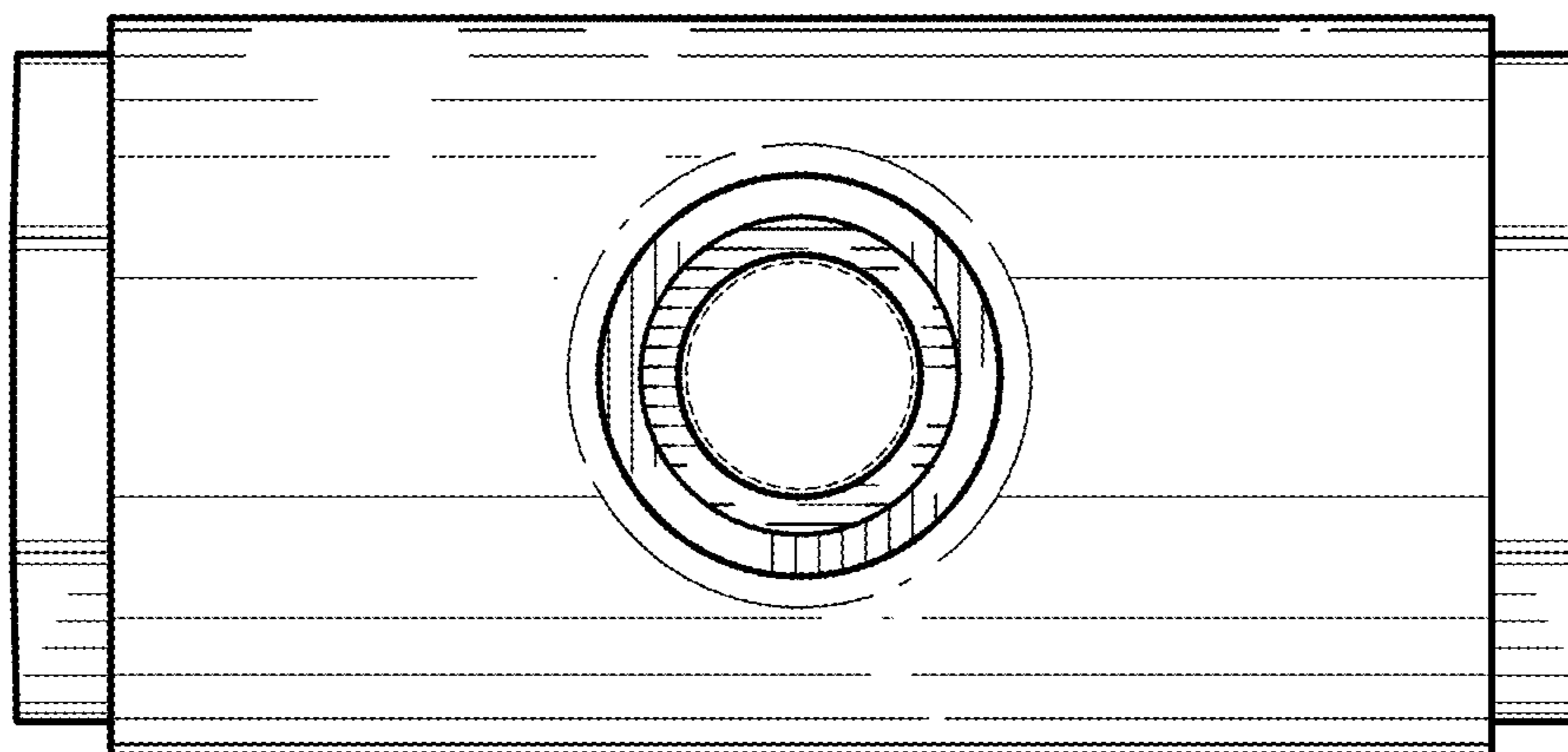
*Fig. 3*



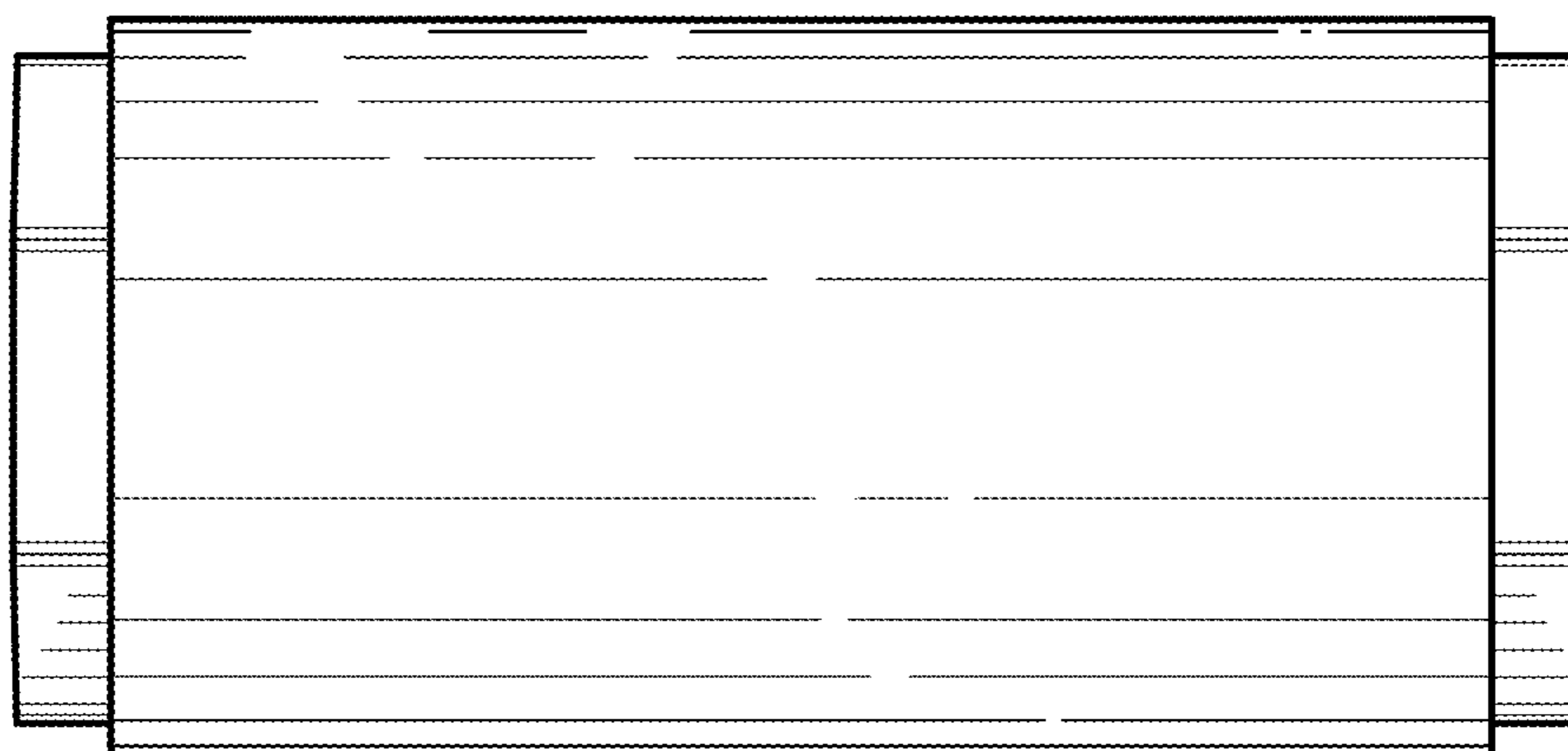
*Fig. 4*



*Fig. 5*



*Fig. 6*



*Fig. 7*