

US00D791565S

(12) **United States Design Patent** (10) **Patent No.:** **US D791,565 S**  
**Hyma et al.** (45) **Date of Patent:** **\*\* Jul. 11, 2017**

(54) **ROTARY HAMMER** 4,529,044 A 7/1985 Klueber et al.  
4,612,999 A 9/1986 Bergler  
(71) Applicant: **Milwaukee Electric Tool Corporation,** 4,719,976 A 1/1988 Bleicher et al.  
Brookfield, WI (US) 4,732,217 A 3/1988 Bleicher et al.  
4,804,048 A 2/1989 Porth, Jr.  
(72) Inventors: **Steven W. Hyma,** Milwaukee, WI 4,930,583 A 6/1990 Fushiya et al.  
(US); **Andrew J. Weber,** Cudahy, WI 5,036,925 A 8/1991 Wache  
(US) 5,036,926 A 8/1991 Cavedo  
D320,918 S \* 10/1991 Mochida ..... D8/68  
(Continued)

(73) Assignee: **MILWAUKEE ELECTRIC TOOL CORPORATION,** Brookfield, WI (US)

**FOREIGN PATENT DOCUMENTS**

(\*\*) Term: **15 Years**

GB 1512214 5/1978  
GB 2147240 5/1985  
WO WO 03024671 3/2003  
WO WO 2009083317 7/2009

(21) Appl. No.: **29/554,150**

(22) Filed: **Feb. 9, 2016**

**OTHER PUBLICATIONS**

**Related U.S. Application Data**

DCH213L2—Parts list for DeWalt model No. DCH213L2 rotary hammer, www.dewaltseryicenet.com 5 pages, 2005.

(60) Continuation of application No. 14/150,711, filed on Jan. 8, 2014, now Pat. No. 9,289,890, which is a division of application No. 13/326,525, filed on Dec. 15, 2011, now Pat. No. 8,636,081.

(Continued)

(51) **LOC (10) Cl.** ..... **08-04**

*Primary Examiner* — Darlington Ly  
(74) *Attorney, Agent, or Firm* — Michael Best & Friedrich LLP

(52) **U.S. Cl.**

USPC ..... **D8/69**

(58) **Field of Classification Search**

USPC ..... D8/14.1, 61–70  
CPC ..... B25D 16/00; B25D 17/00; B25F 5/02  
See application file for complete search history.

(57) **CLAIM**

We claim the ornamental design for a rotary hammer, as shown and described.

**DESCRIPTION**

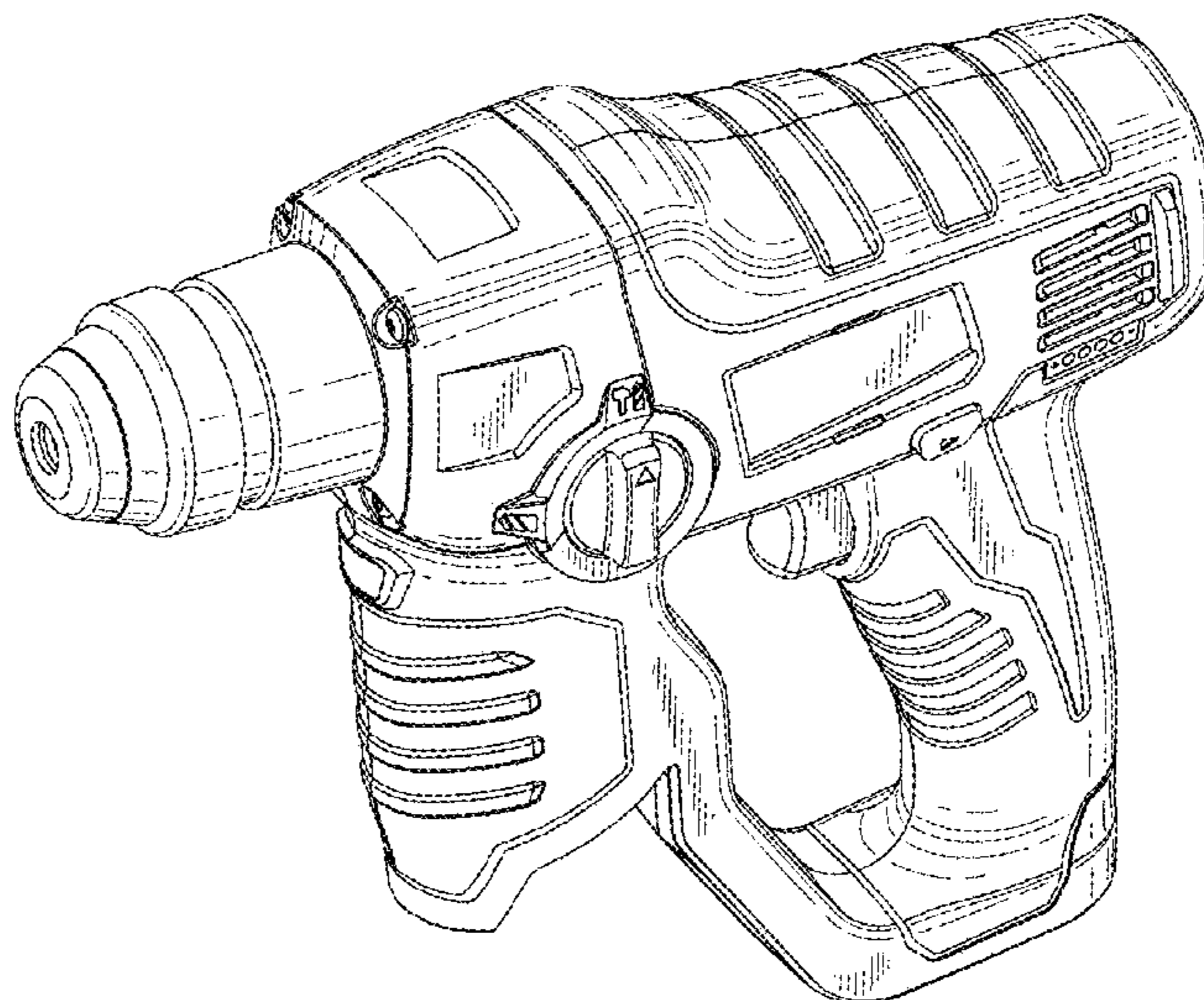
(56) **References Cited**

**U.S. PATENT DOCUMENTS**

3,835,715 A 9/1974 Howell  
1,929,195 A 12/1975 Stiltz et al.  
3,952,239 A 4/1976 Owings et al.  
4,064,949 A 12/1977 Chromy  
4,299,294 A 11/1981 Womack  
4,332,340 A 6/1982 Harris  
4,431,062 A 2/1984 Wanner et al.  
4,446,931 A 5/1984 Bleicher et al.

FIG. 1 is a front perspective view of a rotary hammer showing our new design;  
FIG. 2 is a left side elevation view thereof;  
FIG. 3 is a right side elevation view thereof;  
FIG. 4 is a front elevation view thereof;  
FIG. 5 is a rear elevation view thereof; and  
FIG. 6 is a top plan view thereof; and,  
FIG. 7 is a bottom plan view thereof.

**1 Claim, 7 Drawing Sheets**



(56)

References Cited

U.S. PATENT DOCUMENTS

5,057,498 A 10/1991 Gustafsson et al.  
 5,088,566 A 2/1992 Gustafsson et al.  
 5,099,926 A 3/1992 Fushiya et al.  
 5,125,461 A 6/1992 Hoser  
 5,159,986 A 11/1992 Hoser  
 5,161,624 A 11/1992 Beck et al.  
 5,226,487 A 7/1993 Spektor  
 5,277,759 A 1/1994 Schmid et al.  
 5,320,177 A 6/1994 Shibata et al.  
 5,379,848 A 1/1995 Rauser  
 5,435,397 A 7/1995 Demuth  
 5,449,043 A 9/1995 Bourner et al.  
 5,588,496 A 12/1996 Elger  
 D378,654 S \* 4/1997 Matsuoka ..... D8/69  
 5,664,634 A 9/1997 McCracken  
 5,732,782 A 3/1998 Funfer  
 5,775,440 A 7/1998 Shin ma  
 5,787,996 A 8/1998 Funfer  
 5,793,134 A 8/1998 Worm  
 5,871,059 A 2/1999 Shibata et al.  
 5,873,418 A 2/1999 Arakawa et al.  
 5,954,140 A 9/1999 Bauer  
 5,975,217 A 11/1999 Frenzel et al.  
 5,996,708 A 12/1999 Gerold  
 6,035,945 A 3/2000 Ichijyou et al.  
 6,076,436 A 6/2000 Farley  
 6,109,364 A 8/2000 Demuth et al.  
 6,112,830 A 9/2000 Ziegler et al.  
 6,116,352 A 9/2000 Frauhammer et al.  
 6,192,996 B1 2/2001 Sakaguchi et al.  
 D442,452 S \* 5/2001 Stirm ..... D8/67  
 6,223,833 B1 5/2001 Thurler et al.  
 6,237,700 B1 5/2001 Berger et al.  
 6,357,533 B1 \* 3/2002 Buchholz ..... H01M 2/1022  
 173/217  
 6,431,290 B1 8/2002 Muhr et al.  
 6,460,627 B1 10/2002 Below et al.  
 6,523,622 B1 2/2003 Berger et al.  
 6,527,280 B2 3/2003 Frauhammer et al.  
 6,550,546 B2 4/2003 Thurler et al.  
 6,557,648 B2 5/2003 Ichijyou et al.  
 6,568,484 B1 5/2003 Schmid et al.  
 6,666,284 B2 12/2003 Stirm  
 6,688,406 B1 2/2004 Wu et al.  
 6,691,796 B1 2/2004 Wu  
 6,732,815 B2 5/2004 Hanke et al.  
 6,733,414 B2 5/2004 Elger  
 D491,438 S \* 6/2004 Cheung ..... D8/68  
 D502,377 S \* 3/2005 Aglassinger ..... D8/69  
 6,874,585 B2 4/2005 Zhao  
 6,913,089 B2 7/2005 Stirm  
 6,913,090 B2 7/2005 Droste et al.  
 6,932,166 B1 8/2005 Kirsch  
 6,938,704 B2 9/2005 Berger et al.  
 6,948,571 B2 9/2005 Hanke et al.  
 6,955,230 B2 10/2005 Meixner  
 6,971,455 B2 12/2005 Shibata et al.  
 6,971,456 B2 \* 12/2005 Yamada ..... B25F 5/008  
 173/168  
 6,997,269 B1 2/2006 Putney et al.  
 7,021,400 B2 4/2006 Oretti  
 7,021,401 B2 4/2006 Droste et al.  
 7,032,683 B2 4/2006 Hetcher et al.  
 7,032,688 B2 4/2006 Kirsch  
 7,036,607 B2 5/2006 Lebisch et al.  
 7,070,008 B2 7/2006 Baumann et al.  
 7,096,972 B2 8/2006 Orozco, Jr.  
 D535,537 S \* 1/2007 Aglassinger ..... D8/69  
 7,174,969 B2 2/2007 Droste  
 7,287,600 B2 10/2007 Braun  
 D555,451 S \* 11/2007 Okuda ..... D8/69  
 7,296,635 B2 11/2007 Droste

7,306,048 B2 12/2007 Yamazaki  
 7,325,624 B2 2/2008 Yamazaki  
 7,395,872 B2 7/2008 Duesselberg et al.  
 7,398,835 B2 7/2008 Stirm  
 7,404,450 B2 7/2008 Izumisawa et al.  
 7,404,451 B2 7/2008 Neumann  
 D575,606 S \* 8/2008 Okouchi ..... D8/69  
 D581,235 S \* 11/2008 Aglassinger ..... D8/69  
 7,455,121 B2 11/2008 Saito et al.  
 7,469,752 B2 12/2008 Furusawa et al.  
 RE40,643 E 2/2009 Stirm  
 D586,639 S \* 2/2009 Yamamoto ..... D8/69  
 D587,547 S \* 3/2009 Aglassinger ..... D8/69  
 7,497,272 B2 3/2009 Strasser et al.  
 7,521,831 B2 4/2009 Smirnov et al.  
 D592,028 S \* 5/2009 Taniguchi ..... D8/69  
 D595,101 S \* 6/2009 Bast ..... D8/68  
 7,591,324 B2 9/2009 Saur  
 D604,583 S \* 11/2009 Yamamoto ..... D8/69  
 7,635,032 B2 12/2009 Saur et al.  
 7,648,383 B2 1/2010 Matthias et al.  
 D610,478 S \* 2/2010 Bast ..... D10/69  
 7,726,414 B2 6/2010 Berger et al.  
 7,743,846 B2 6/2010 Gensmann et al.  
 7,753,135 B2 7/2010 Lennartz  
 7,802,711 B2 9/2010 Fuenfer  
 7,818,880 B2 10/2010 Heep et al.  
 7,857,074 B2 12/2010 Meixner  
 8,011,442 B2 9/2011 Lennartz  
 D646,136 S \* 10/2011 Aglassinger ..... D8/69  
 D663,183 S \* 7/2012 Sell ..... D8/69  
 D676,731 S \* 2/2013 Aglassinger ..... D8/69  
 D691,011 S \* 10/2013 Walz ..... D8/68  
 8,636,081 B2 1/2014 Ludy et al.  
 D706,603 S \* 6/2014 Kokawa ..... D8/16  
 D716,626 S \* 11/2014 Sell ..... D8/69  
 2002/0050367 A1 5/2002 Manschitz  
 2006/0124333 A1 6/2006 Berger  
 2007/0034398 A1 2/2007 Murakami et al.  
 2007/0215369 A1 9/2007 Stark et al.  
 2008/0029283 A1 2/2008 Hammerstingl  
 2008/0164042 A1 7/2008 Mascall  
 2008/0169111 A1 7/2008 Duesselberg et al.  
 2008/0217039 A1 9/2008 Fuenfer et al.  
 2008/0217040 A1 9/2008 Loeffler et al.  
 2009/0032305 A1 2/2009 Weddfelt  
 2009/0065226 A1 3/2009 John et al.  
 2009/0126959 A1 5/2009 Stark et al.  
 2009/0145618 A1 6/2009 Duesselberg et al.  
 2009/0159304 A1 6/2009 Teranishi et al.  
 2009/0200054 A1 8/2009 Lennartz  
 2009/0223692 A1 9/2009 Yoshikane  
 2009/0260842 A1 10/2009 Randa  
 2009/0308626 A1 12/2009 Saur  
 2009/0321101 A1 12/2009 Furusawa et al.  
 2010/0000748 A1 1/2010 Machida et al.  
 2010/0051303 A1 3/2010 Ullrich et al.  
 2010/0084151 A1 4/2010 Kuhnle et al.  
 2010/0096153 A1 4/2010 Ullrich et al.  
 2010/0101814 A1 4/2010 Bernhardt et al.  
 2010/0108339 A1 5/2010 Engelfried et al.  
 2010/0236804 A1 9/2010 Kriedel et al.  
 2010/0270046 A1 10/2010 Schlesak et al.  
 2010/0300715 A1 12/2010 Storm et al.  
 2010/0300717 A1 12/2010 Baumann et al.  
 2011/0005791 A1 1/2011 Baumann et al.  
 2011/0017483 A1 1/2011 Baumann et al.

OTHER PUBLICATIONS

DeWalt D25012K—Parts list for DeWalt model No. D25012K rotary hammer, www.dewaltservicen.com, 5 pages, 2005.  
 International Search Report and Written Opinion for Application No. PCT/US2011/065757 dated Nov. 14, 2012 (7 pages).

\* cited by examiner

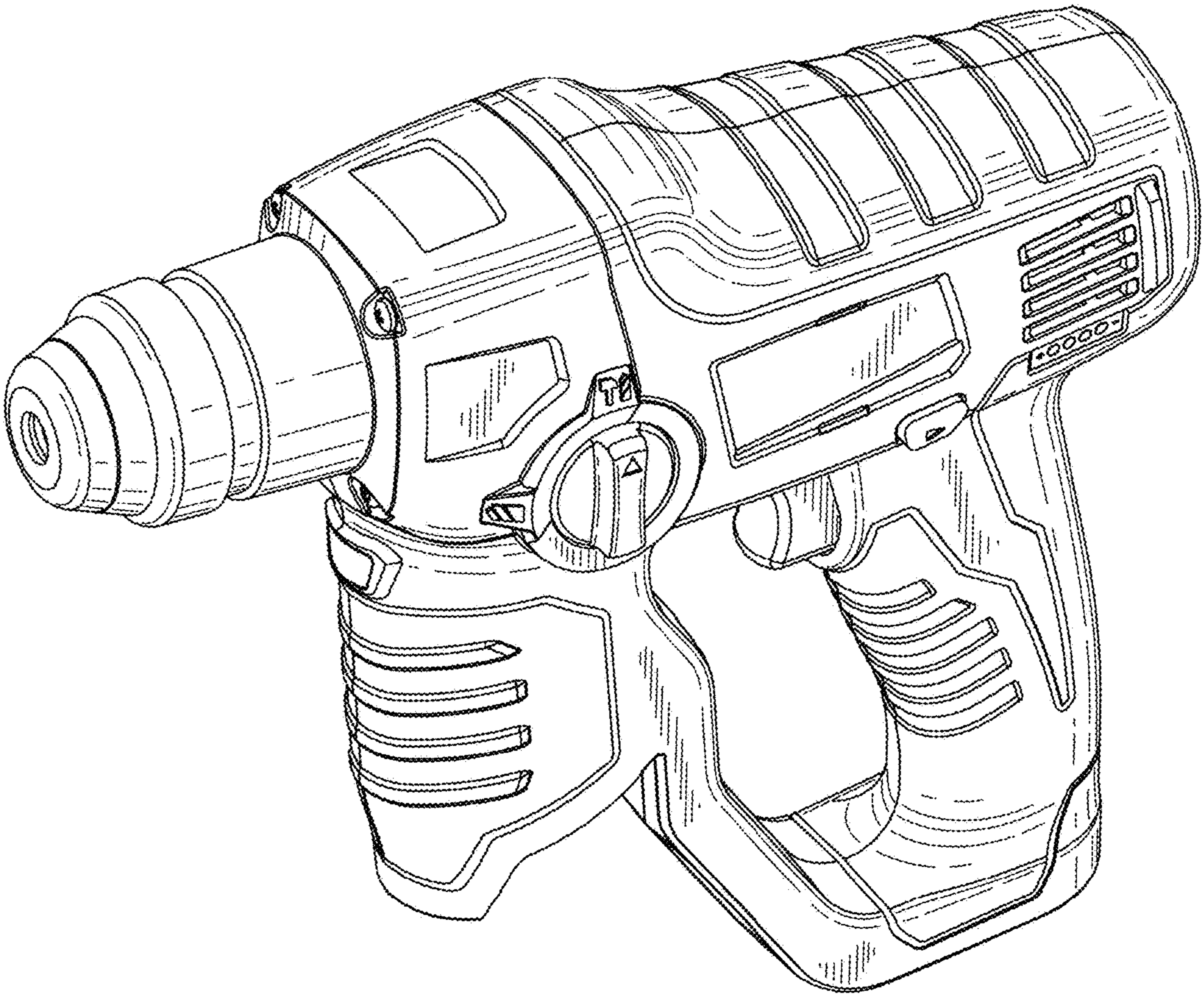


FIG. 1

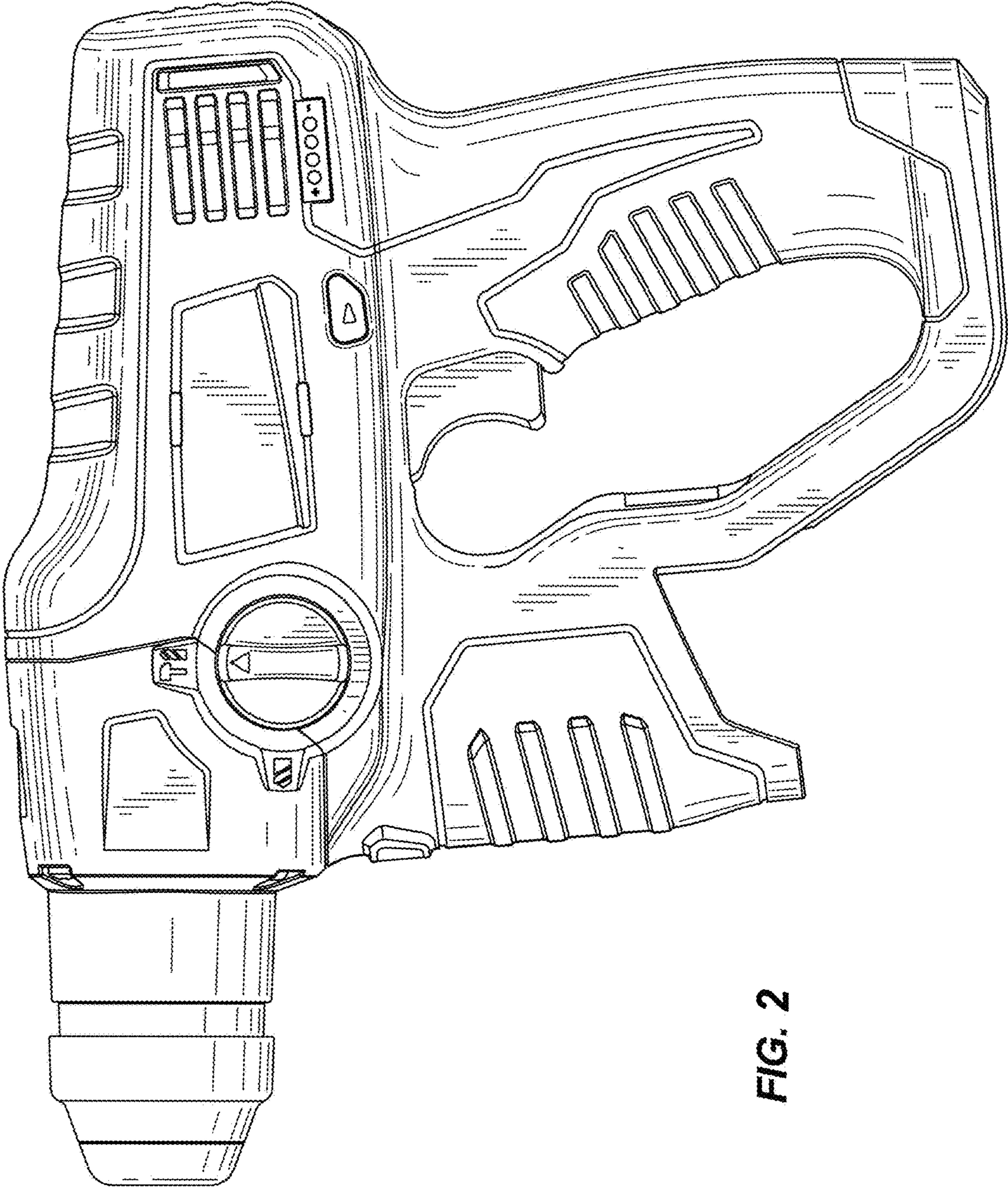


FIG. 2

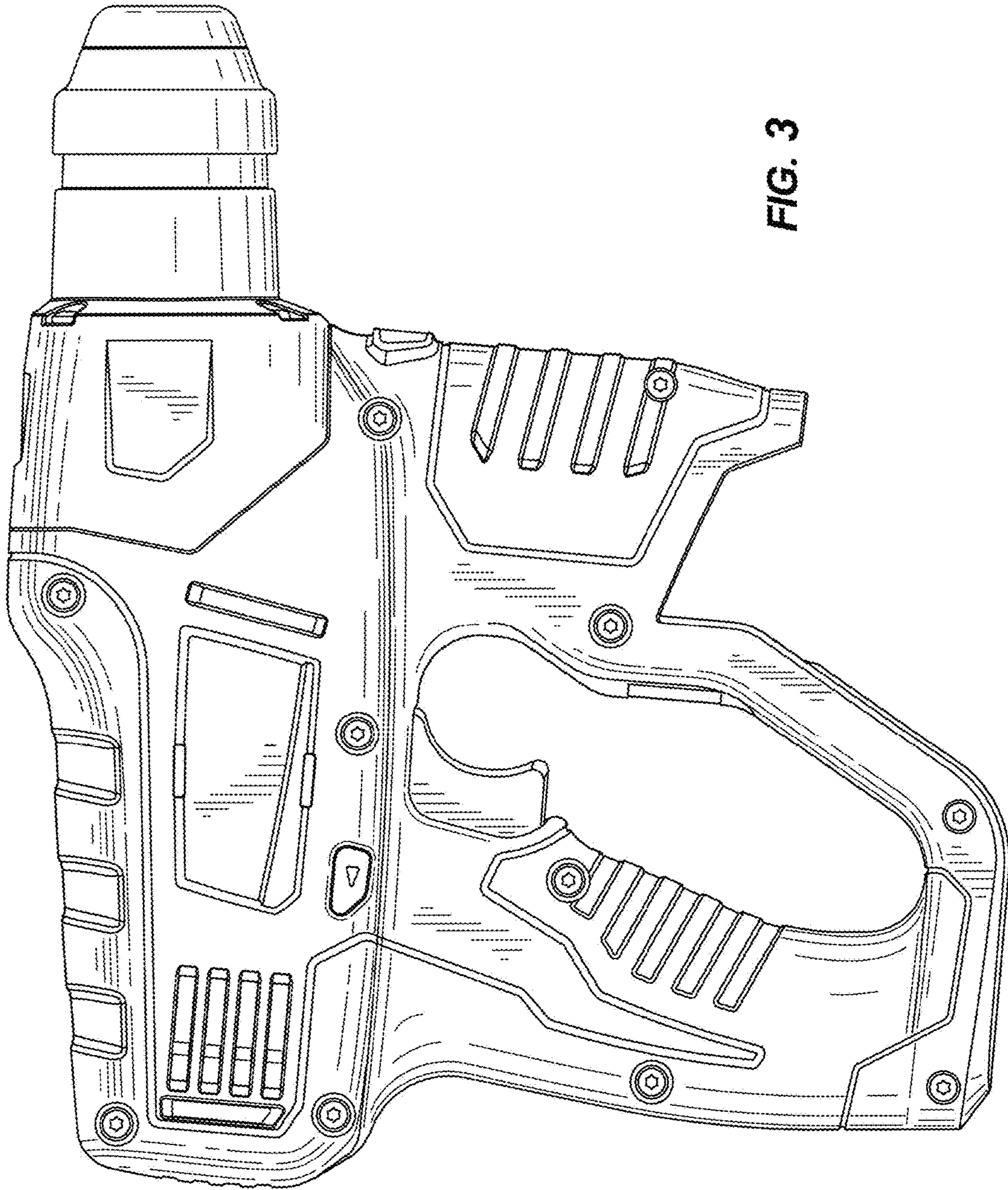
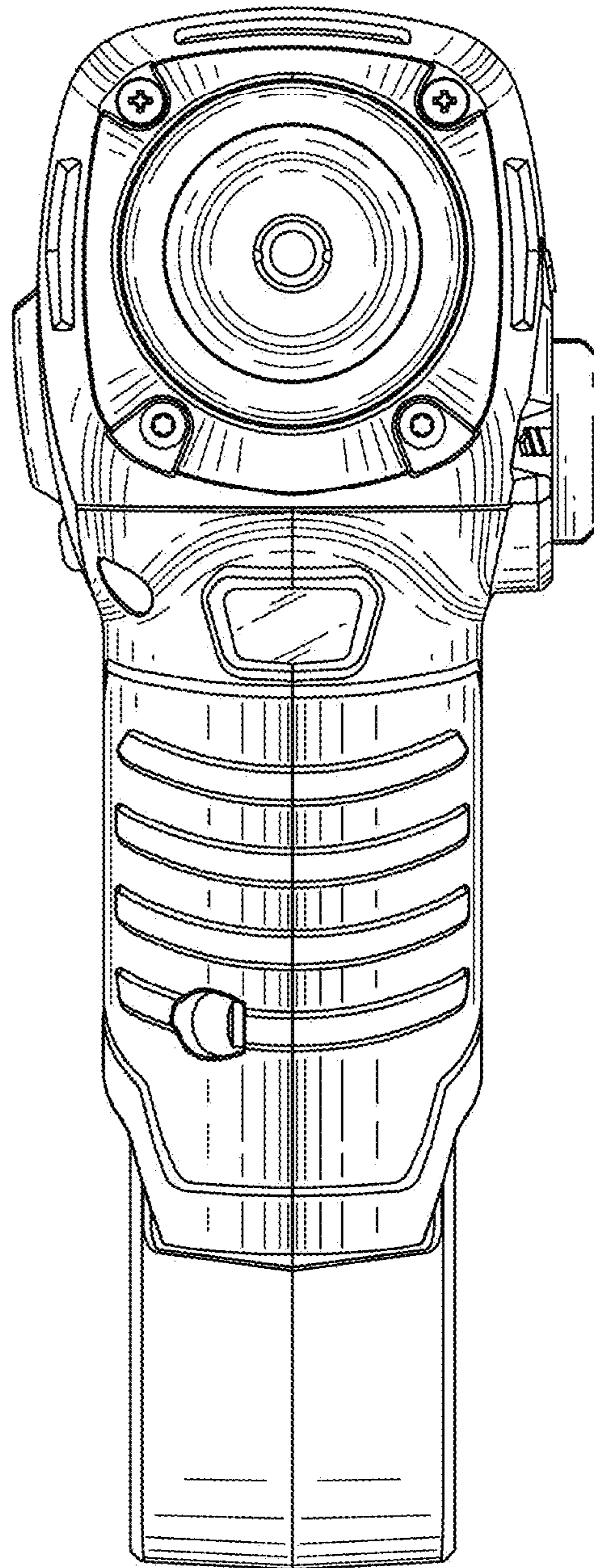
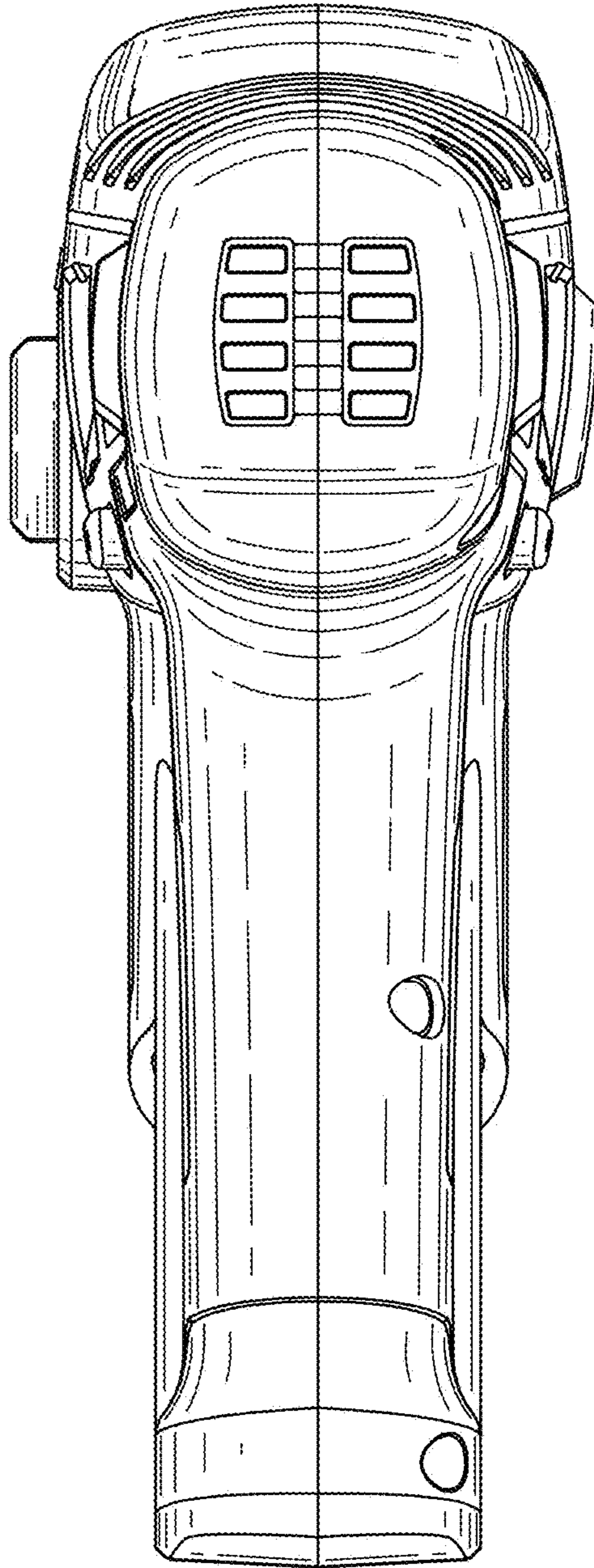


FIG. 3



**FIG. 4**



**FIG. 5**

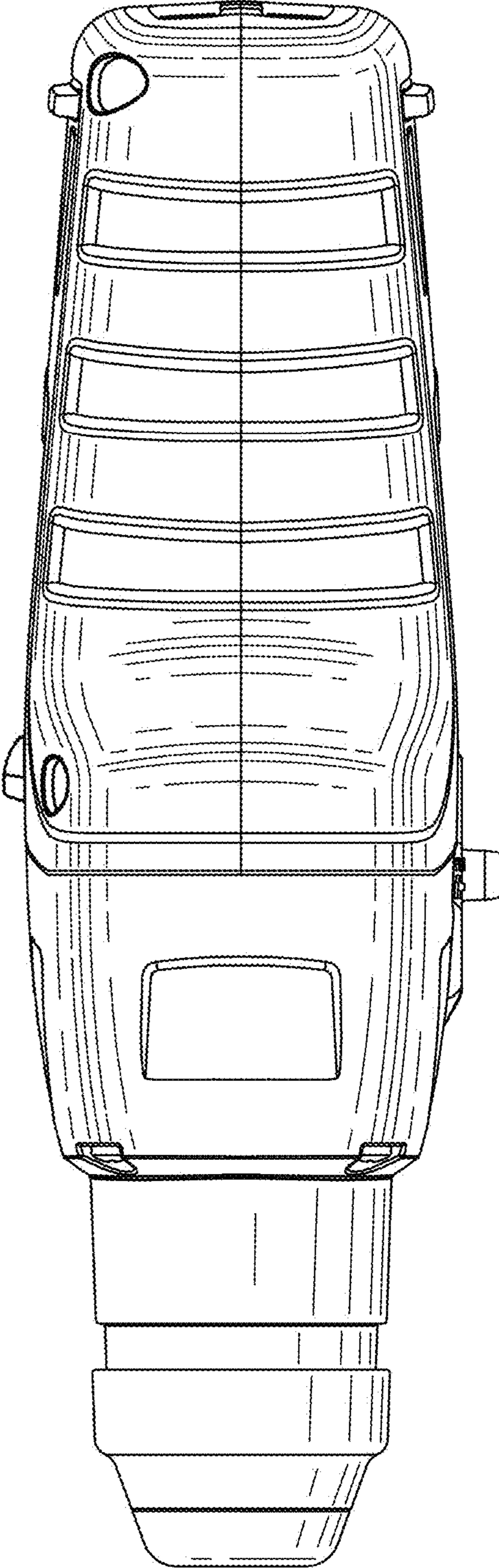


FIG. 6



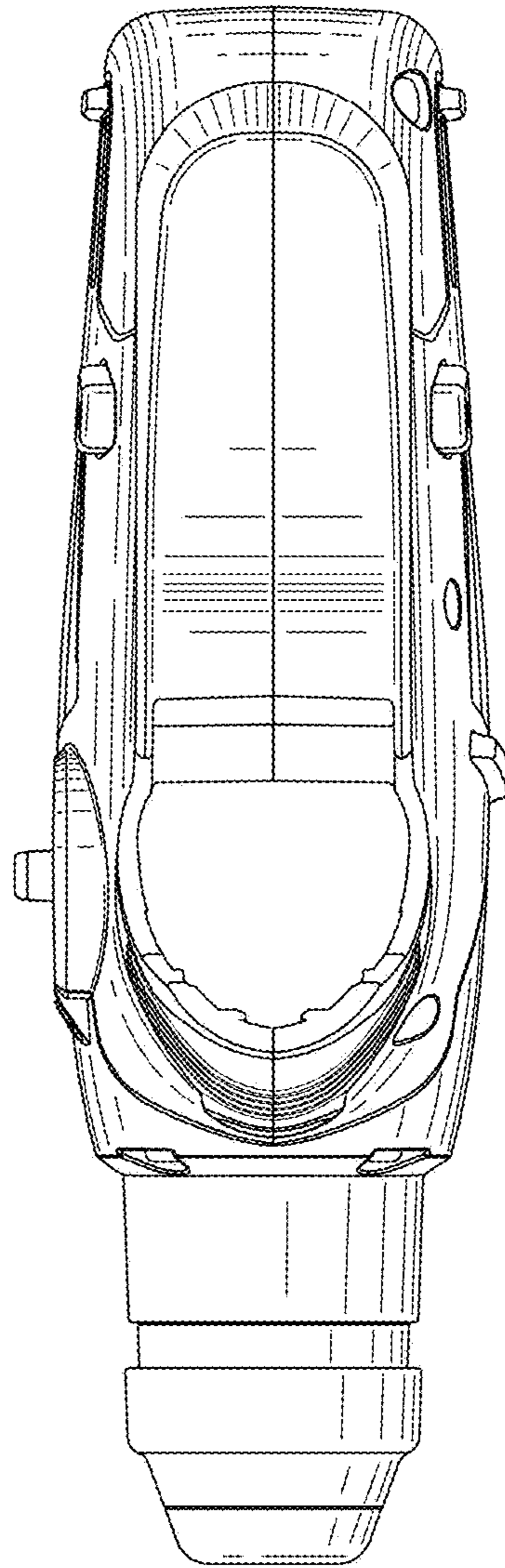


FIG. 7