



US00D791564S

(12) **United States Design Patent** (10) **Patent No.:** **US D791,564 S**
Balma (45) **Date of Patent:** **** Jul. 11, 2017**

(54) **AIR COMPRESSOR**
(71) Applicant: **Fini Nuair S.p.A.**, Robassomero (IT)
(72) Inventor: **Roberto Balma**, Robassomero (IT)
(73) Assignee: **FINI NUAIR S.P.A.**, Robassomero (IT)
(**) Term: **15 Years**

D589,985 S 4/2009 Steinfels
D592,025 S 5/2009 Snowball
D598,261 S 8/2009 Waldron
D601,874 S * 10/2009 Hayakawa D8/62
D620,775 S * 8/2010 Stratford D8/62
D637,879 S 5/2011 Kawase
D667,467 S * 9/2012 Kosugi D15/9
D683,604 S 6/2013 Shi
D742,709 S 11/2015 Aglassinger
D769,687 S * 10/2016 Balma D8/62

(21) Appl. No.: **29/578,849**

(22) Filed: **Sep. 26, 2016**

Related U.S. Application Data

(62) Division of application No. 29/524,205, filed on Apr. 17, 2015, now Pat. No. Des. 769,687.
(51) **LOC (10) Cl.** **08-01**
(52) **U.S. Cl.**
USPC **D8/62; D15/9**
(58) **Field of Classification Search**
USPC D8/61, 62; D23/231, 232, 225;
D14/102; 417/60, 235, 265, 321, 355,
417/358, 363, 359, 410.1, 415, 416, 405,
417/900; D15/7-9
CPC F04B 35/01; F04B 35/04; F04B 39/12
See application file for complete search history.

(56) **References Cited**

U.S. PATENT DOCUMENTS

D466,908 S * 12/2002 Poon D15/7
D492,563 S 7/2004 Wright
D509,721 S 9/2005 Park
D529,926 S * 10/2006 Krieger D15/9
D539,310 S * 3/2007 Matsuoka D15/9
D541,309 S * 4/2007 Wang D15/9

OTHER PUBLICATIONS

Requirement for Restriction/Election for U.S. Appl. No. 29/524,205 mailed on Mar. 22, 2016.

* cited by examiner

Primary Examiner — Austin Murphy

(74) *Attorney, Agent, or Firm* — Workman Nydegger

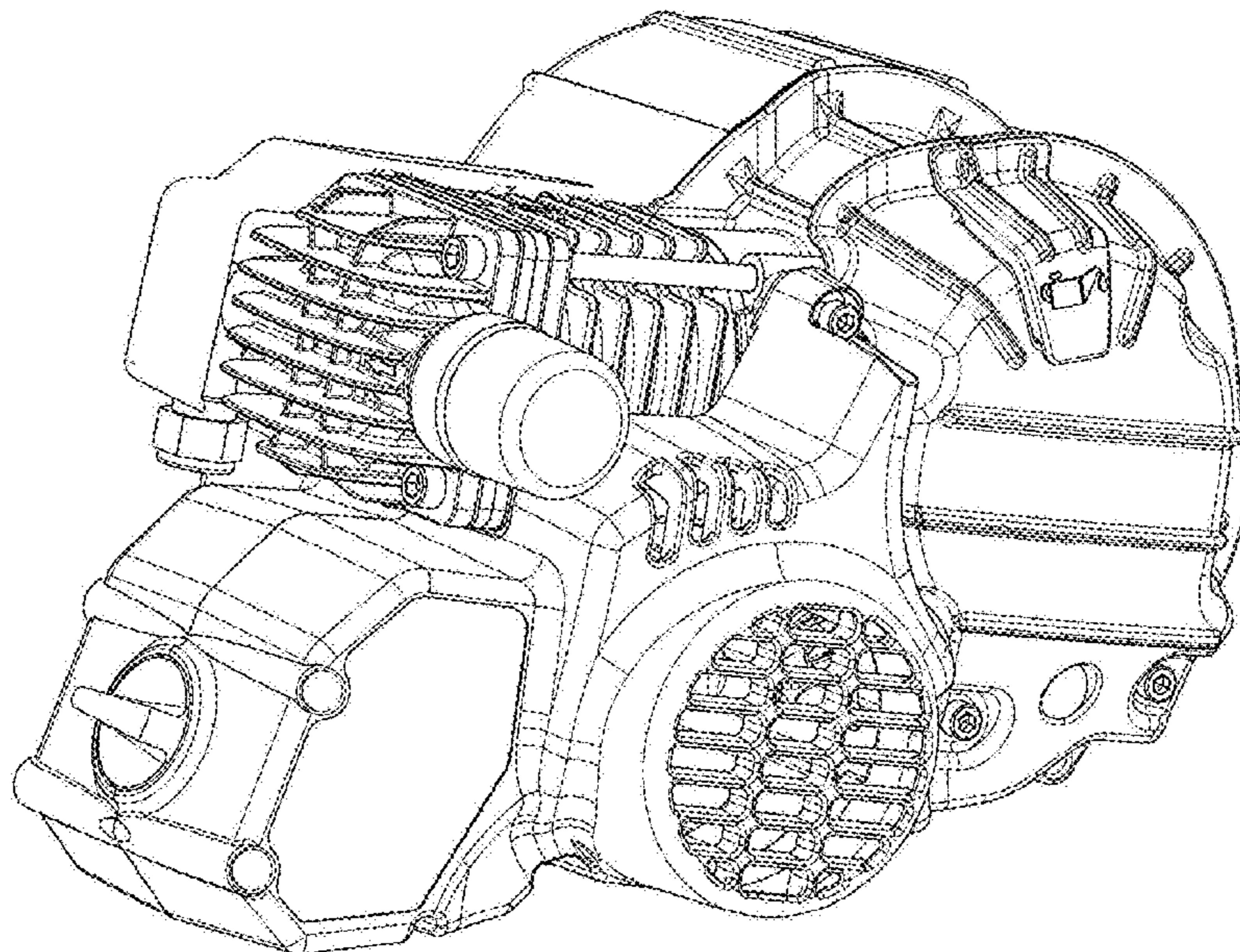
(57) **CLAIM**

The ornamental design for an air compressor, as shown and described.

DESCRIPTION

FIG. 1 is a top, rear, right perspective view of my new design for an air compressor;
FIG. 2 is a top, front, left perspective view thereof;
FIG. 3 is an elevated front view thereof;
FIG. 4 is an elevated right view thereof;
FIG. 5 is an elevated left view thereof;
FIG. 6 is an elevated rear view thereof;
FIG. 7 is a top plan view thereof; and,
FIG. 8 is a bottom plan view thereof.

1 Claim, 8 Drawing Sheets



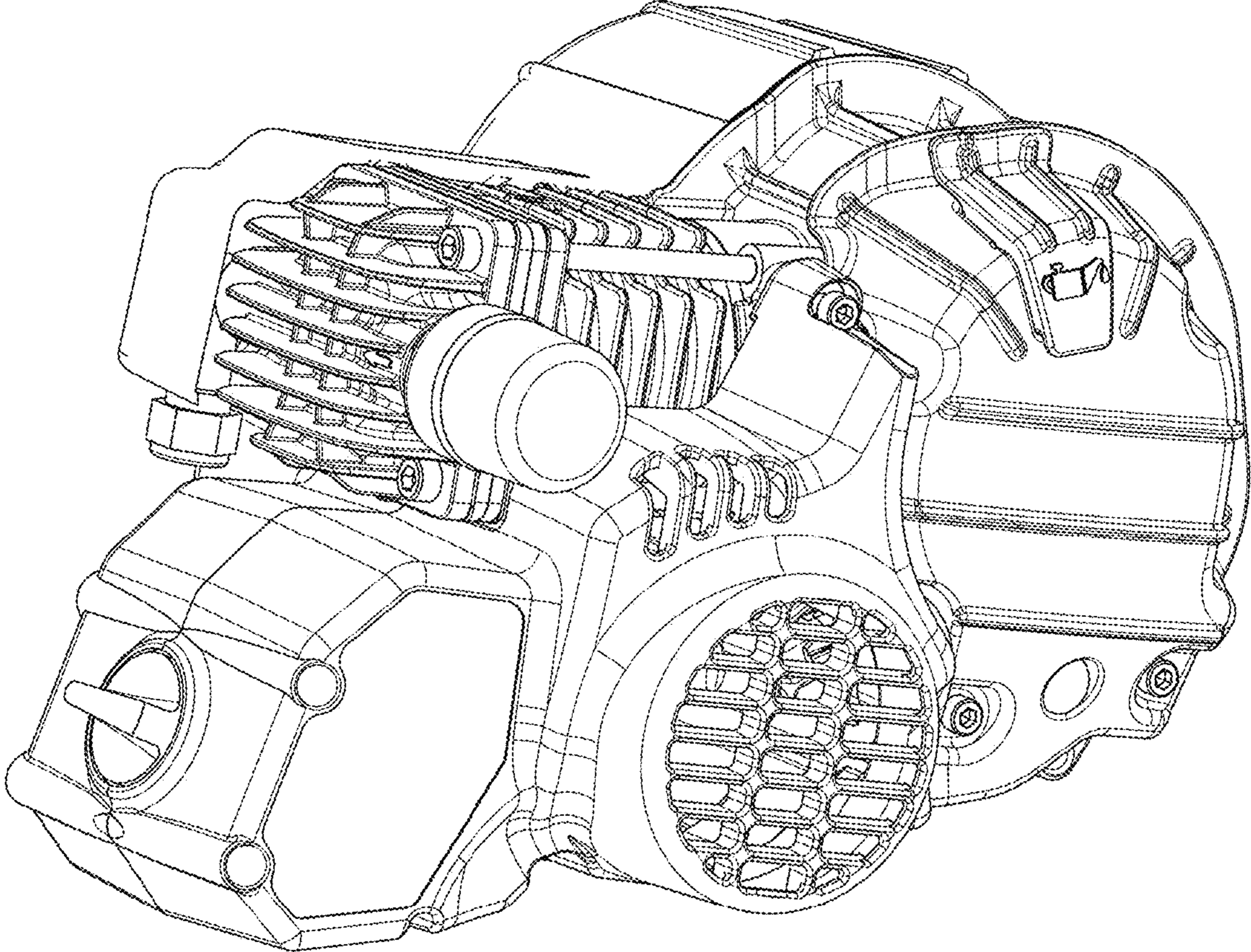


Fig. 1

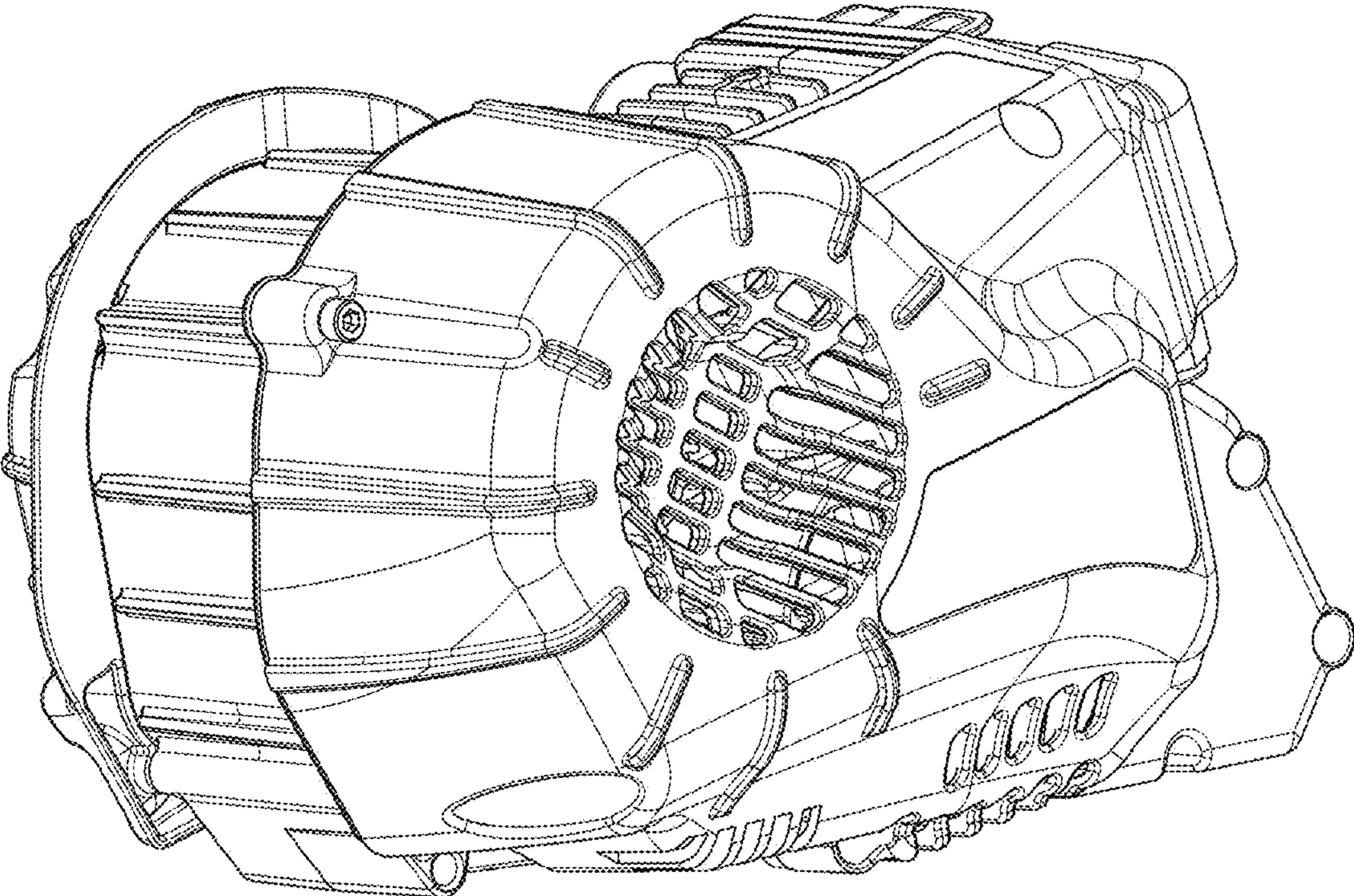


Fig. 2

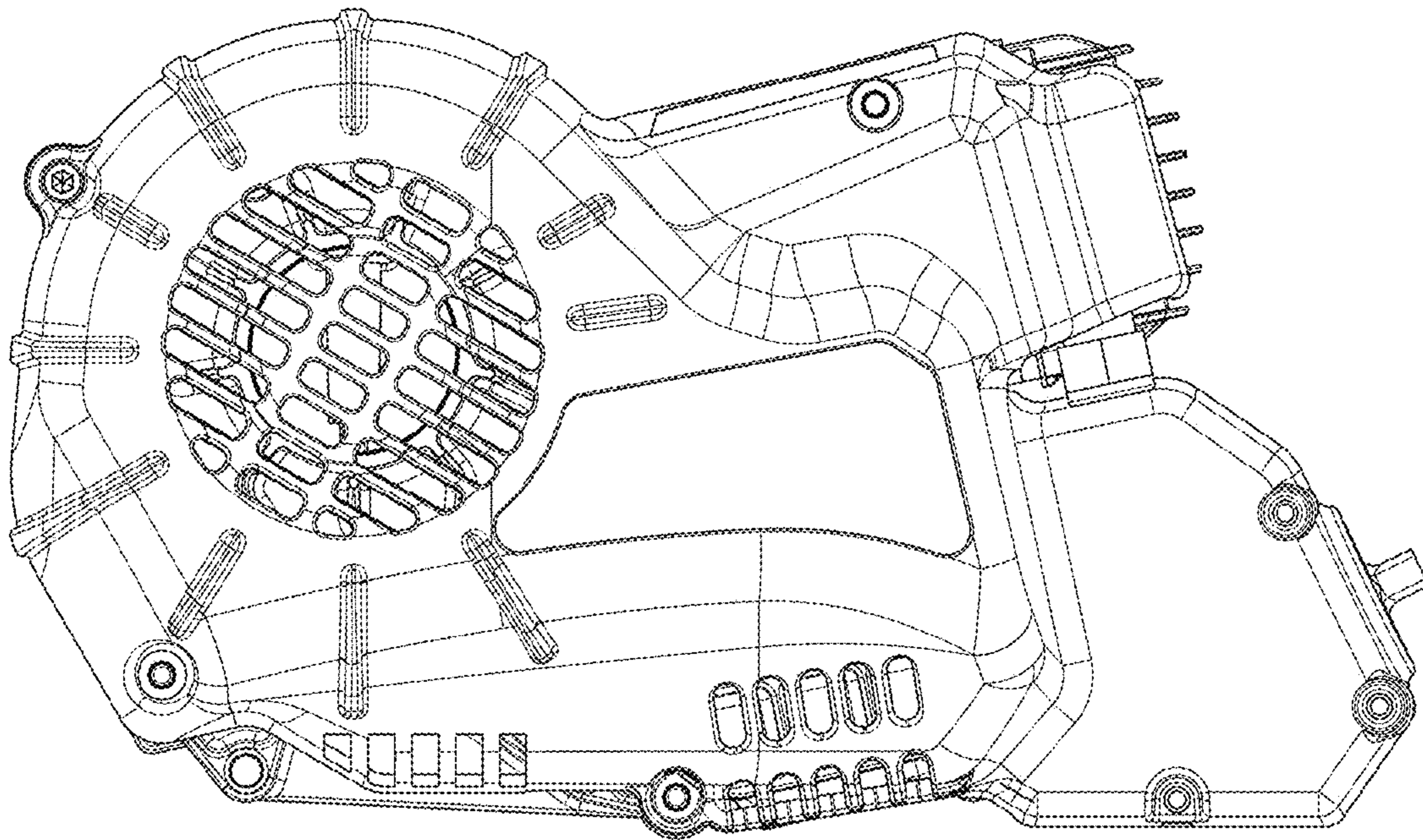


Fig. 3

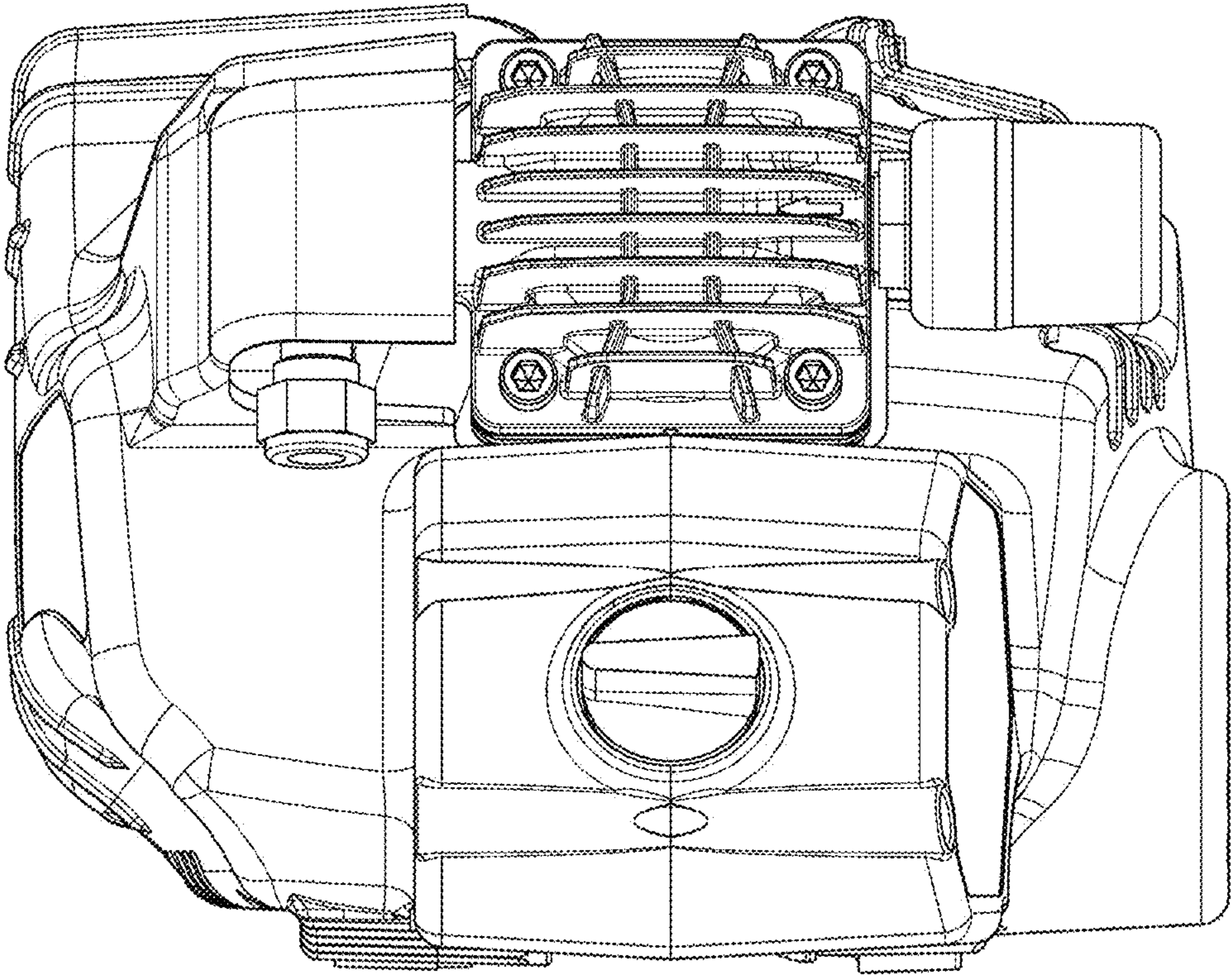


Fig. 4

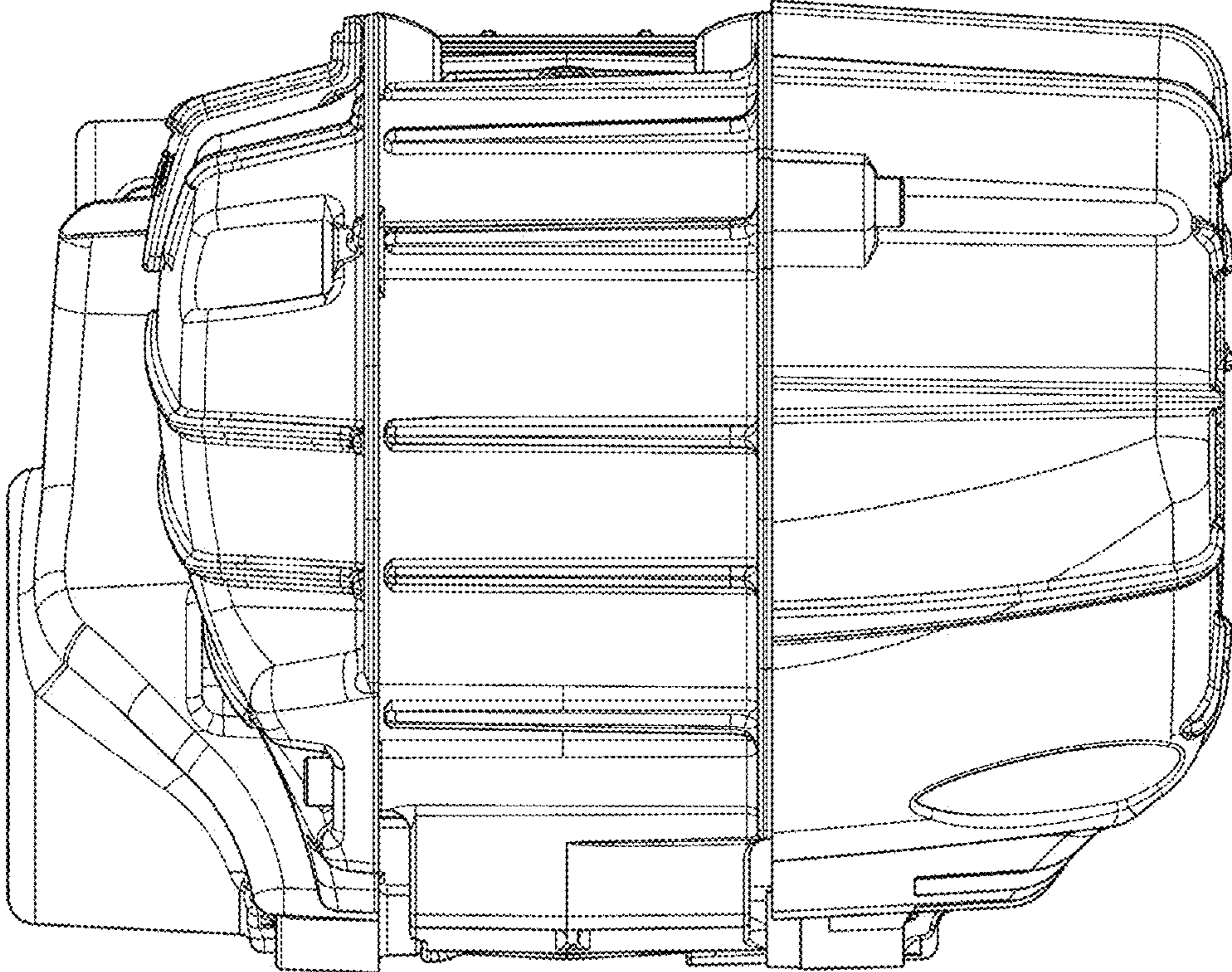


Fig. 5

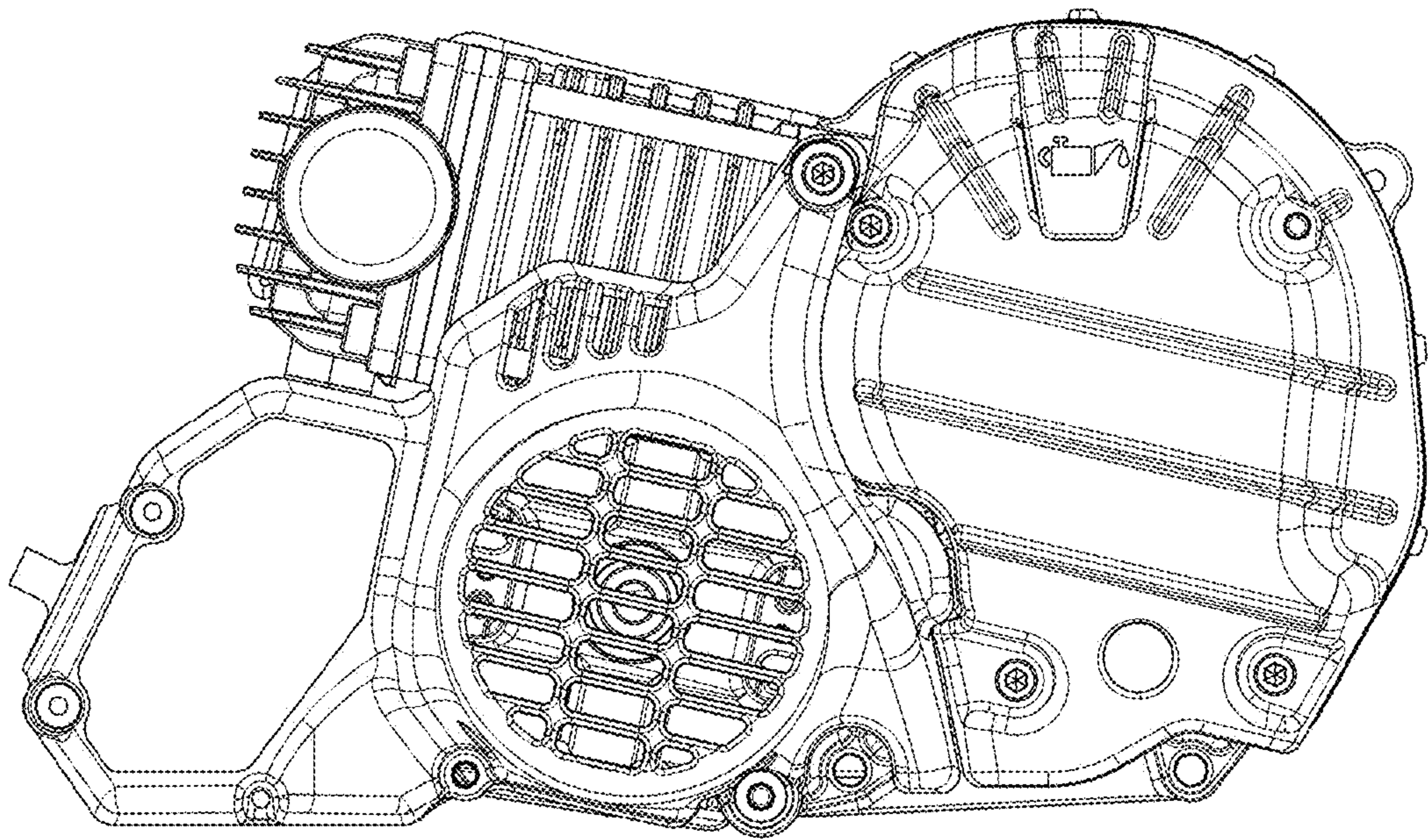


Fig. 6

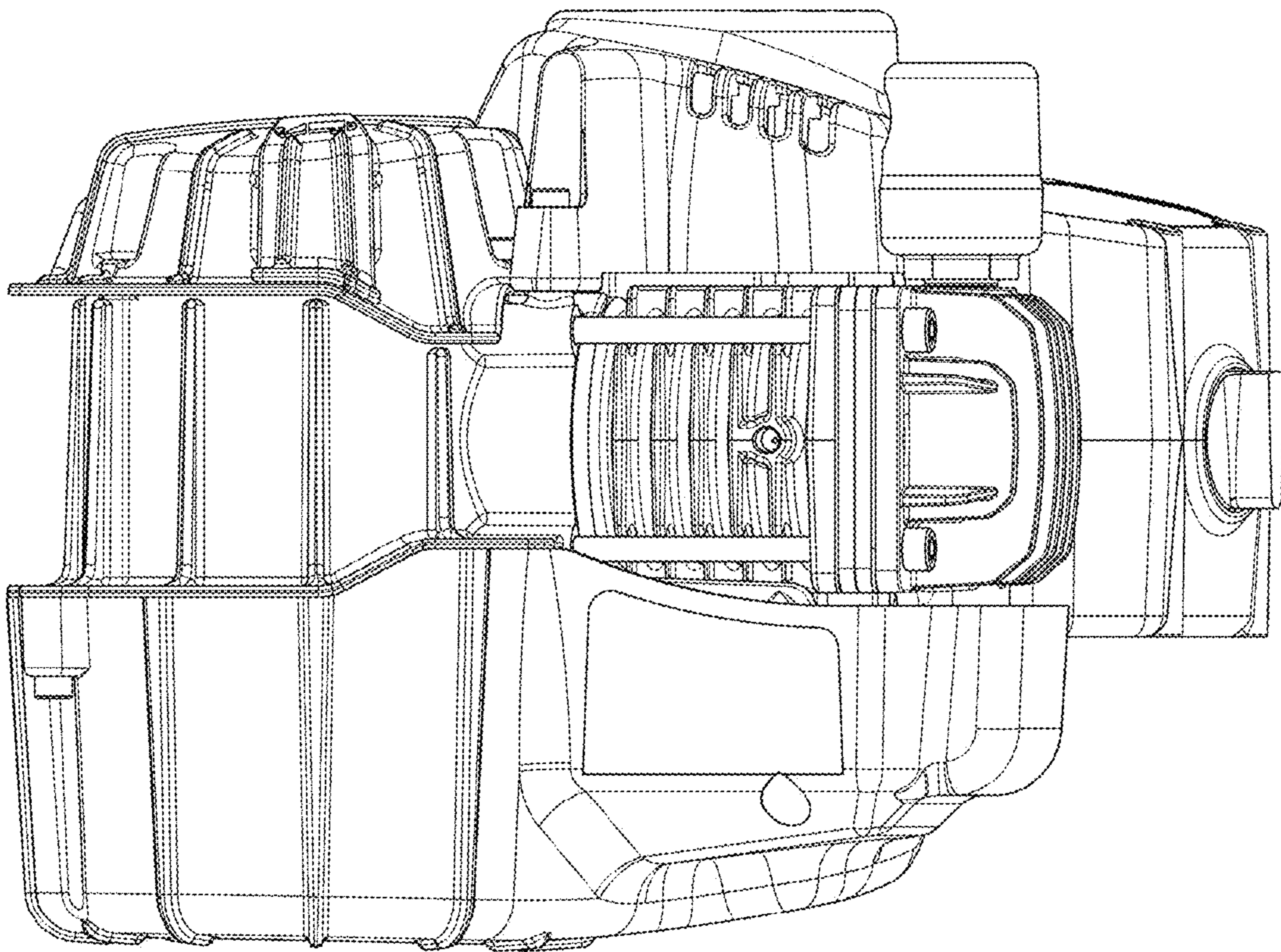


Fig. 7

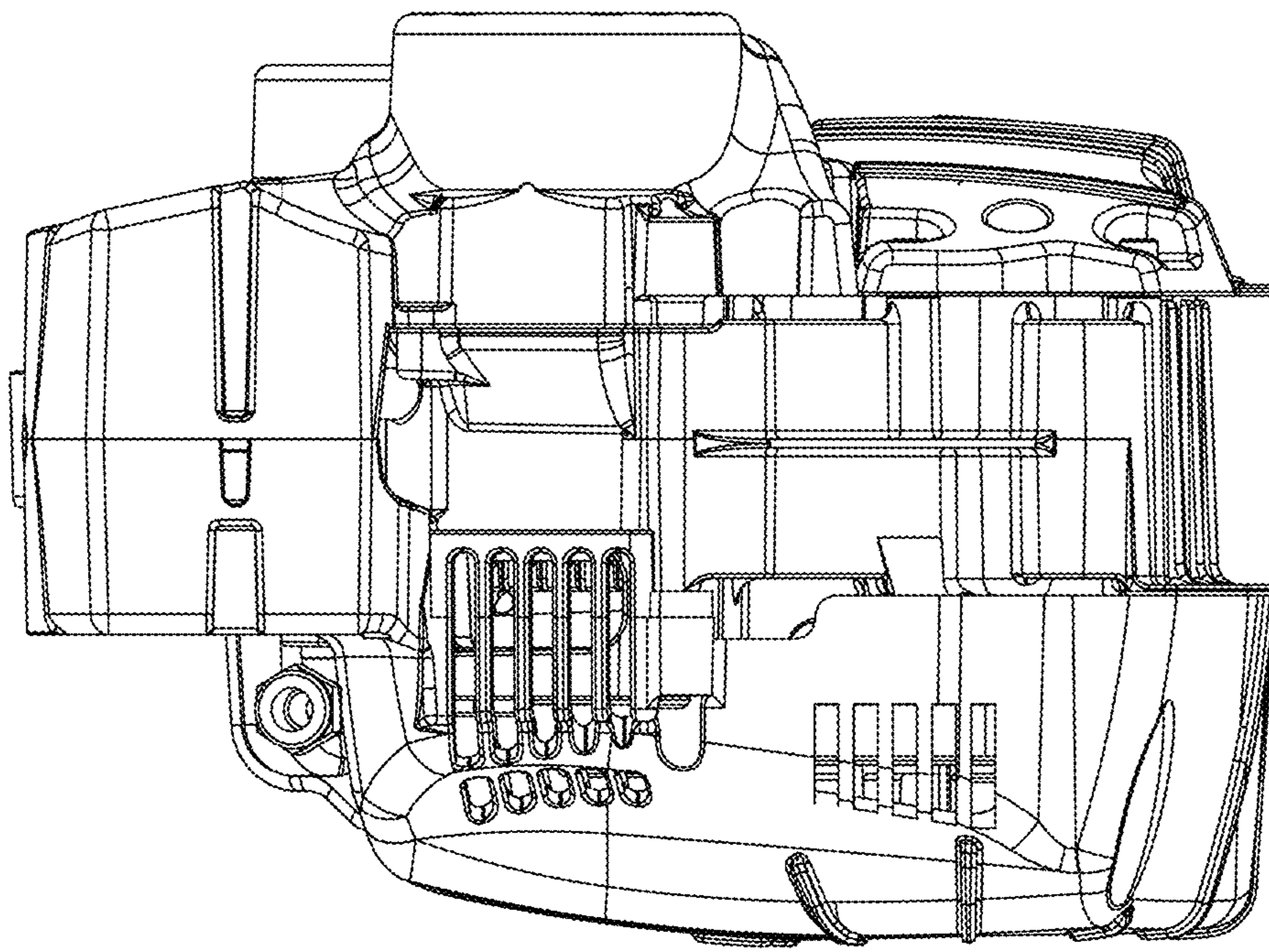


Fig. 8