



US00D791560S

(12) **United States Design Patent**  
**Mitchell**

(10) **Patent No.:** **US D791,560 S**

(45) **Date of Patent:** **\*\* Jul. 11, 2017**

(54) **REMOVAL TOOL ASSEMBLY**

(71) Applicant: **Private Brand Tools Australia Pty Ltd, Archerfield (AU)**

(72) Inventor: **David Mitchell, Carina Heights (AU)**

(73) Assignee: **Private Brand Tools Australia Pty Ltd, Archerfield (AU)**

(\*\*) Term: **15 Years**

(21) Appl. No.: **29/540,069**

(22) Filed: **Sep. 21, 2015**

(51) **LOC (10) Cl.** ..... **08-05**

(52) **U.S. Cl.**  
USPC ..... **D8/21**

(58) **Field of Classification Search**  
USPC .... D8/14, 21, 51-60, 71, 72, 387, 394, 396, D8/397  
CPC ..... B25B 23/103; B25B 27/18; B25B 13/44  
See application file for complete search history.

(56) **References Cited**

**U.S. PATENT DOCUMENTS**

1,207,356	A *	12/1916	Wright	.....	F16B 39/36
					411/269
2,027,534	A *	1/1936	Ingersoll	.....	B25B 13/5066
					81/128
2,629,277	A *	2/1953	Valvano	.....	B25B 23/103
					81/53.2
D208,428	S *	8/1967	Holliday	.....	411/431
D208,429	S *	8/1967	Holliday	.....	D8/385
D249,322	S *	9/1978	Diffenderfer	.....	D8/14
4,192,205	A *	3/1980	Dorosh	.....	B25B 27/18
					81/53.2
D278,310	S *	4/1985	Allen	.....	D8/21
4,651,596	A *	3/1987	Rachanski	.....	B25B 13/44
					29/264
D311,131	S *	10/1990	Saito	.....	D8/397
D332,568	S *	1/1993	Ozawa	.....	D8/397

D340,184	S *	10/1993	Desaulniers	.....	D8/14
D354,665	S *	1/1995	Greenland	.....	D8/51
D423,770	S *	5/2000	Degener	.....	D3/201

(Continued)

*Primary Examiner* — Deanna L Pratt

(74) *Attorney, Agent, or Firm* — Armstrong Teasdale LLP

(57) **CLAIM**

I claim the ornamental design for a removal tool assembly, as shown and described.

**DESCRIPTION**

FIG. 1 is a front elevation view of a removal tool assembly showing my new design, the removal tool assembly being shown in an unassembled view to illustrate internal thread and taper.

FIG. 2 is a rear elevation view of the removal tool assembly shown in FIG. 1.

FIG. 3 is a right side elevation view of the removal tool assembly shown in FIG. 1.

FIG. 4 is a left side elevation view of the removal tool assembly shown in FIG. 1.

FIG. 5 is a perspective view of the removal tool assembly shown in FIG. 1.

FIG. 6 is a front elevation view of the removal tool assembly shown in FIG. 1, the removal tool assembly being shown in an assembled configuration.

FIG. 7 is a rear elevation view of the removal tool assembly shown in FIG. 6.

FIG. 8 is a right side elevation view of the removal tool assembly shown in FIG. 6.

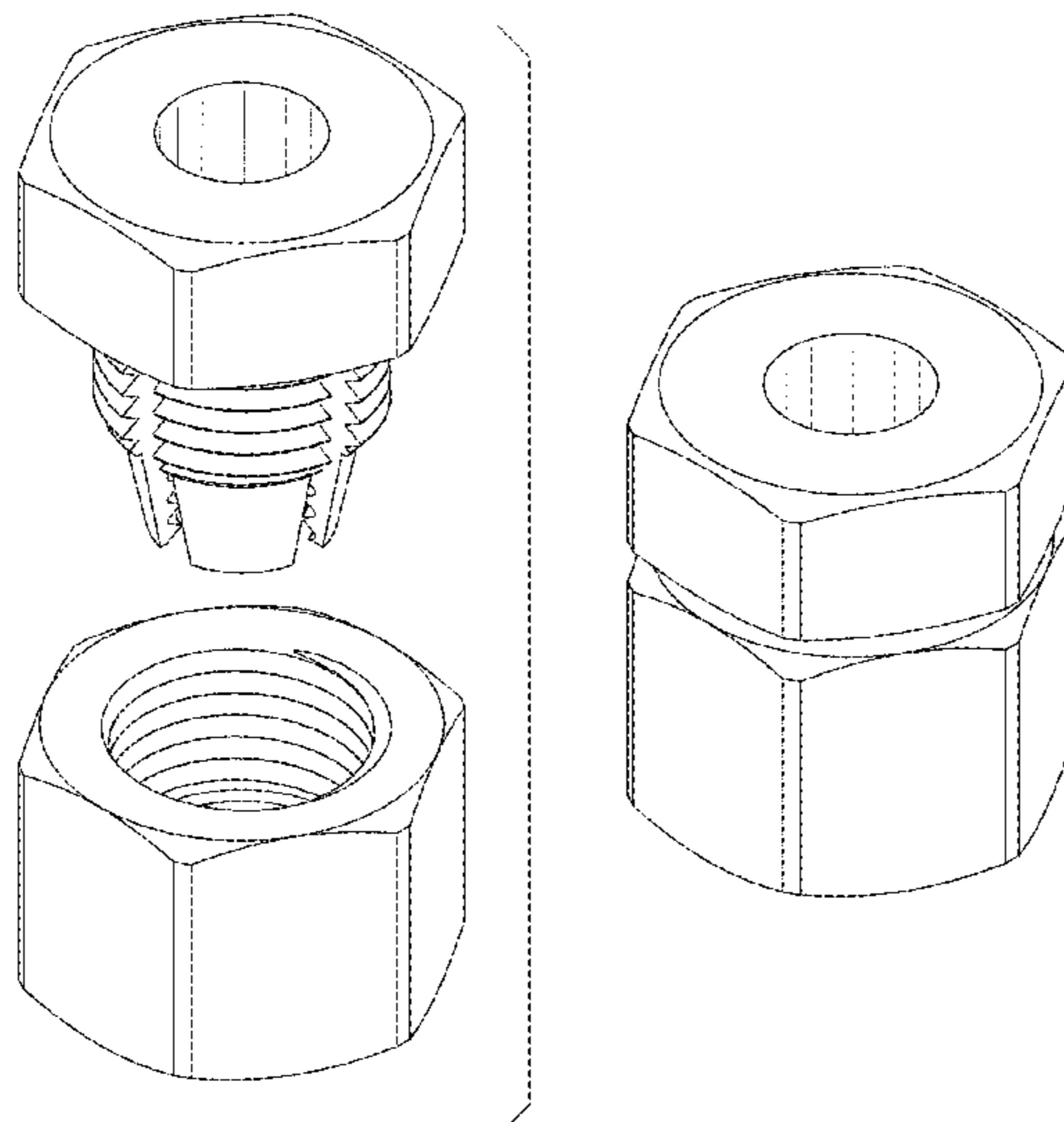
FIG. 9 is a left side elevation view of the removal tool assembly shown in FIG. 6.

FIG. 10 is a top plan view of the removal tool assembly shown in FIG. 6.

FIG. 11 is a bottom plan view of the removal tool assembly shown in FIG. 6; and,

FIG. 12 is a perspective view of the removal tool assembly shown in FIG. 6.

**1 Claim, 12 Drawing Sheets**



(56)

**References Cited**

U.S. PATENT DOCUMENTS

D589,786 S *	4/2009	Suehiro .....	D8/387
D698,638 S *	2/2014	Imai .....	D8/397
D706,126 S *	6/2014	Orow .....	D8/397
D764,267 S *	8/2016	Hutter, III .....	D8/387
2014/0169910 A1 *	6/2014	Winnie .....	F16B 39/12
			411/222
2016/0032959 A1 *	2/2016	Cadena .....	F16B 39/28
			411/110

\* cited by examiner

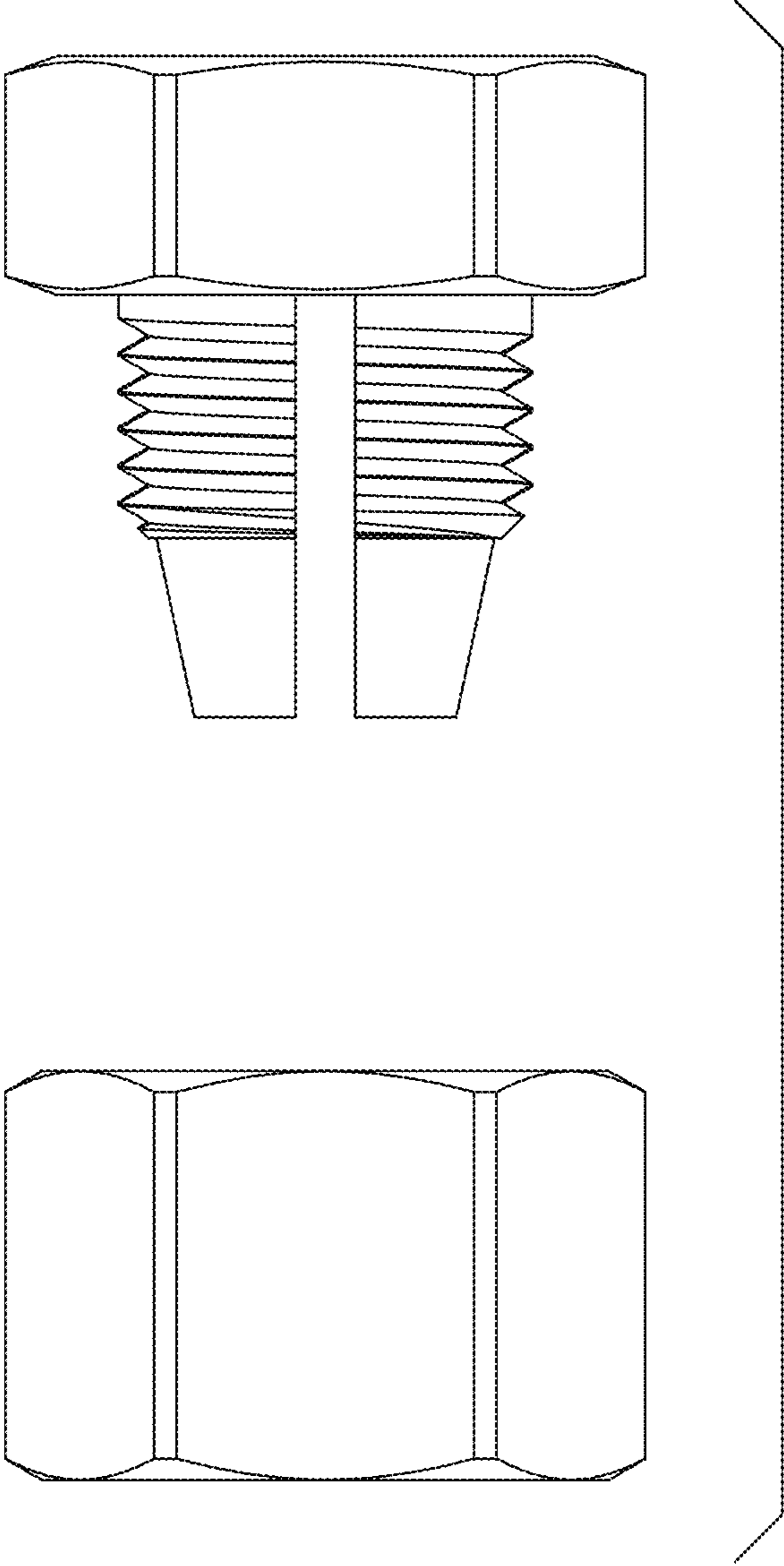


FIG. 1

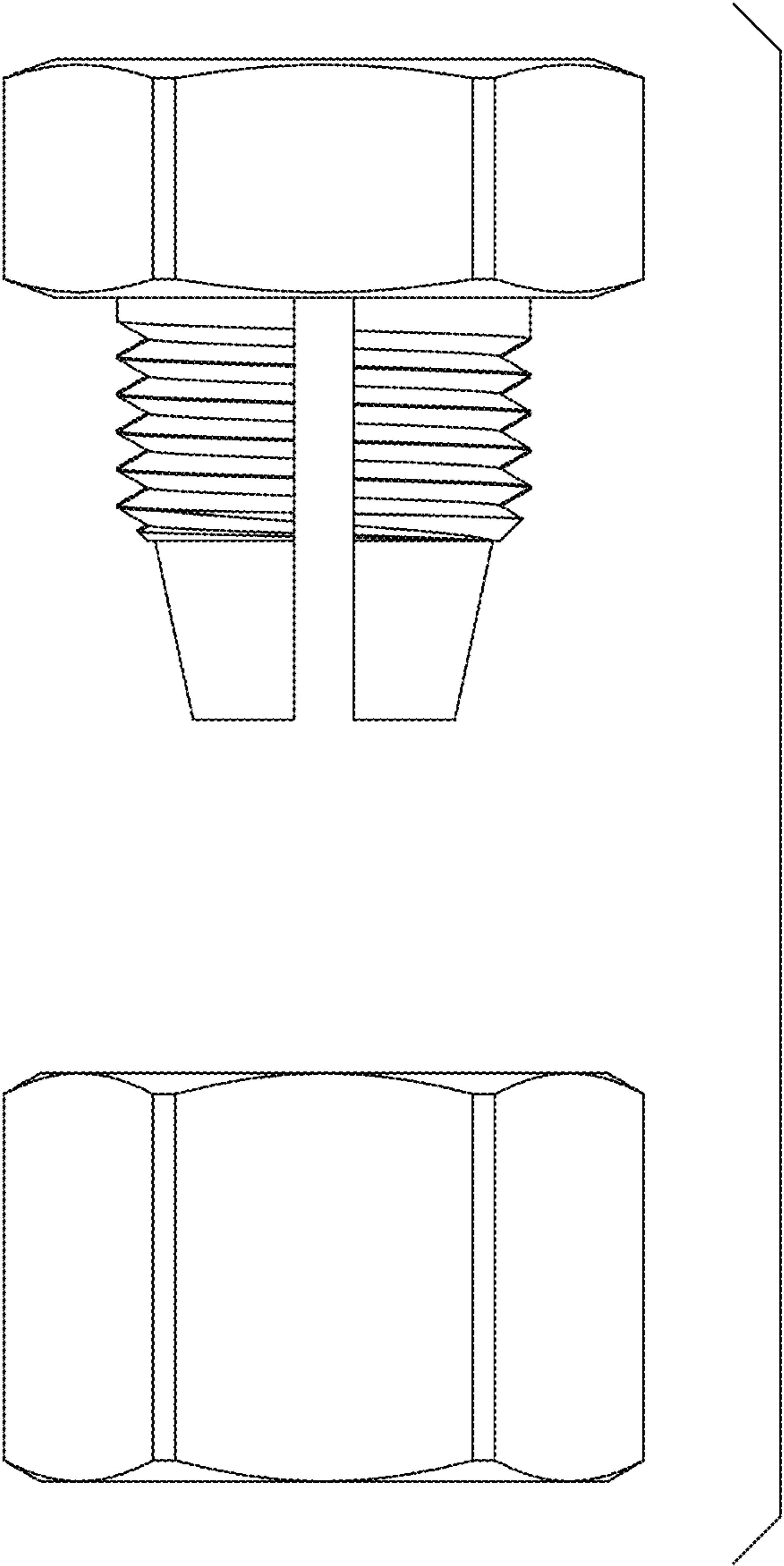


FIG. 2

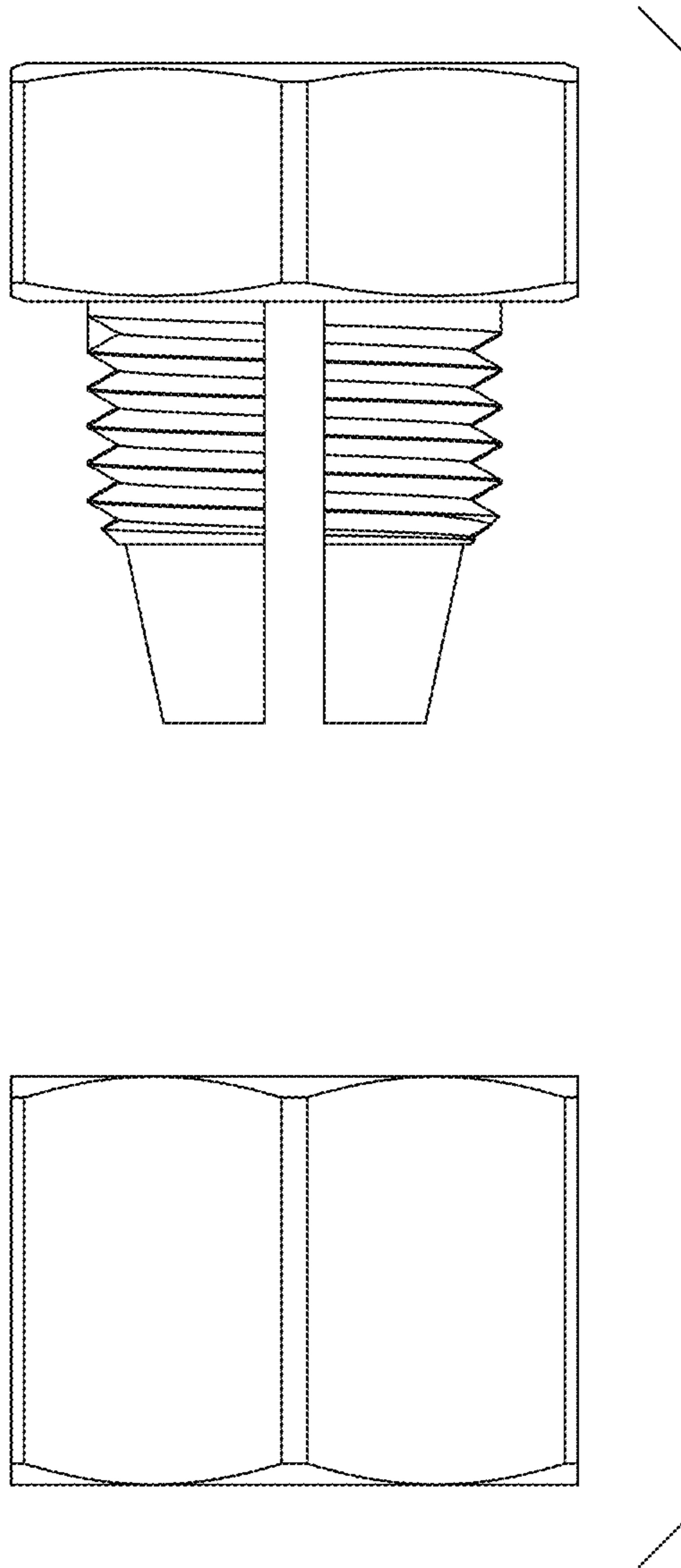


FIG. 3

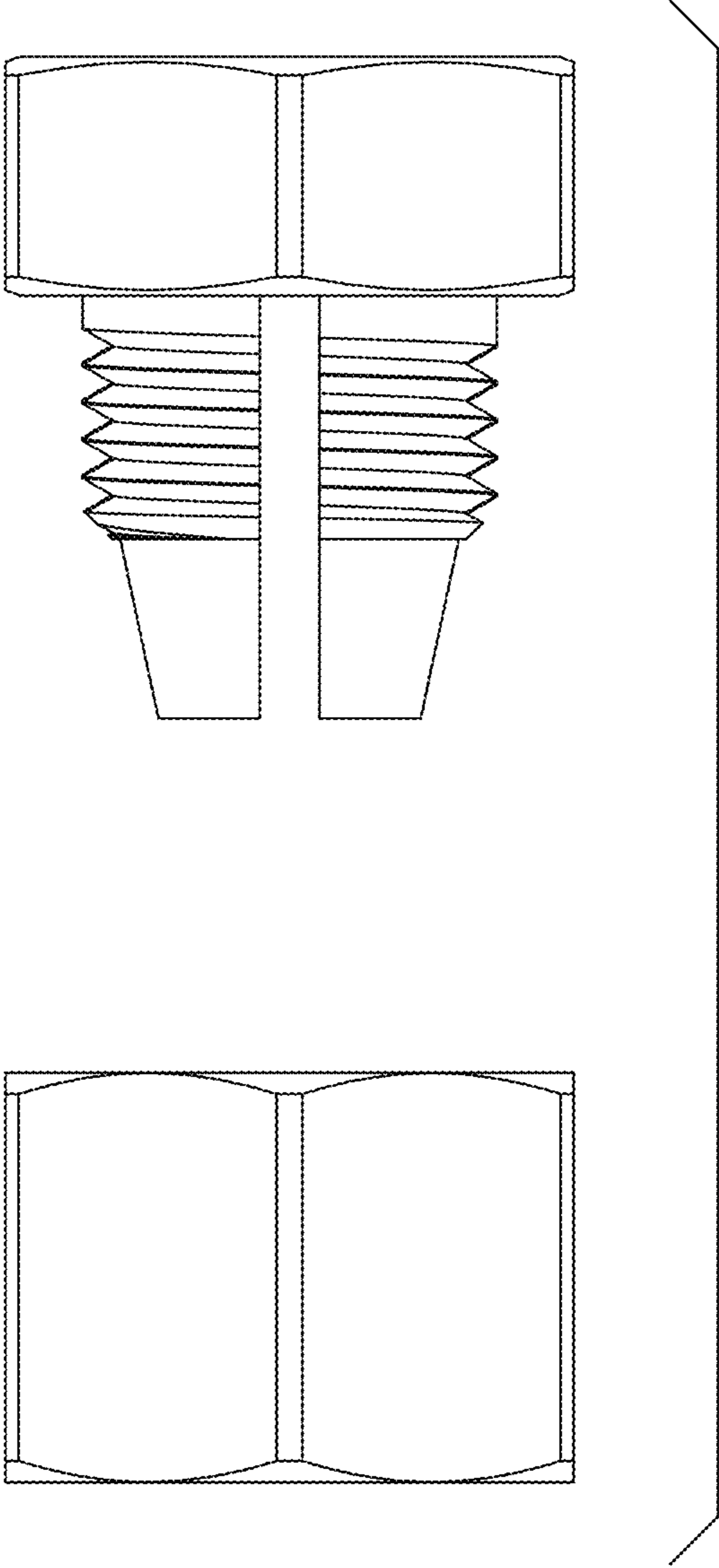


FIG. 4

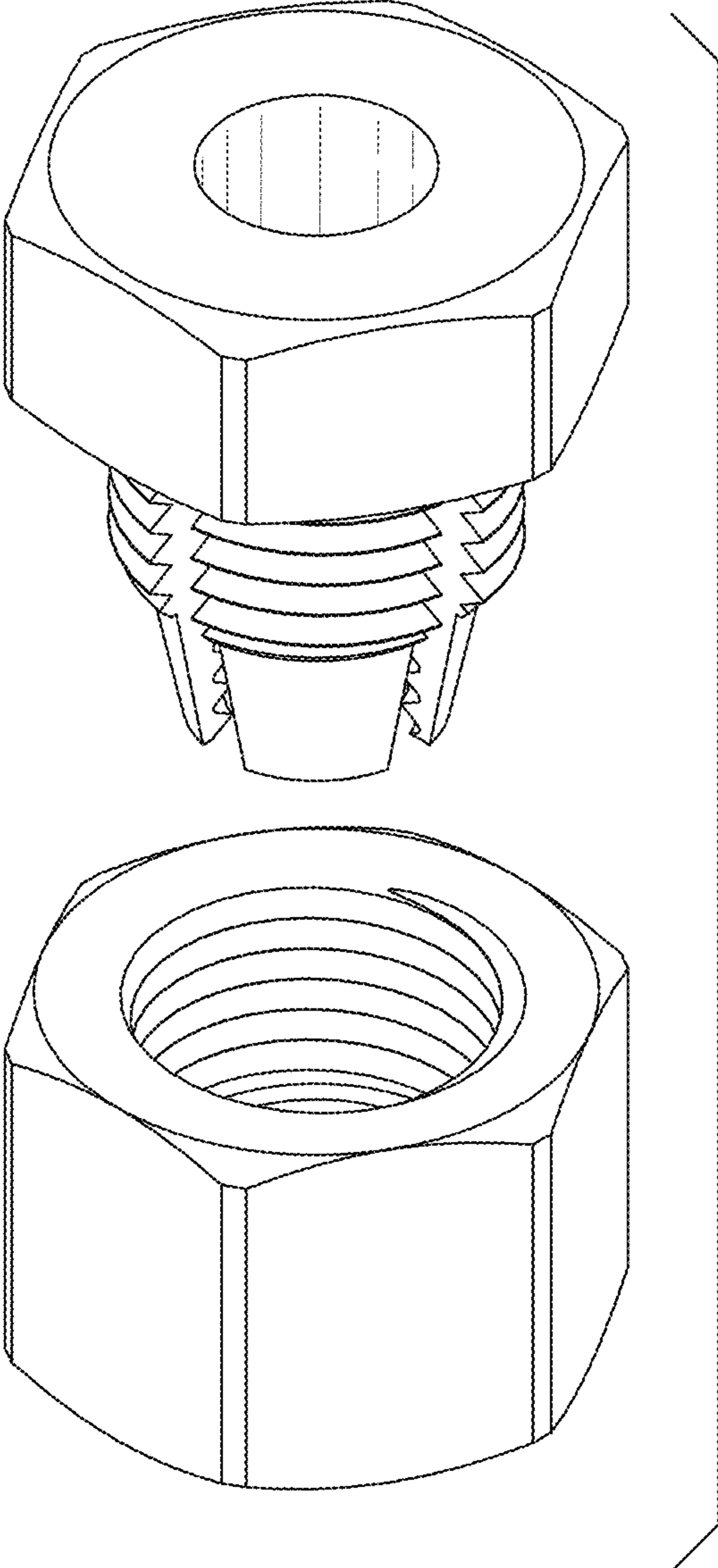


FIG. 5

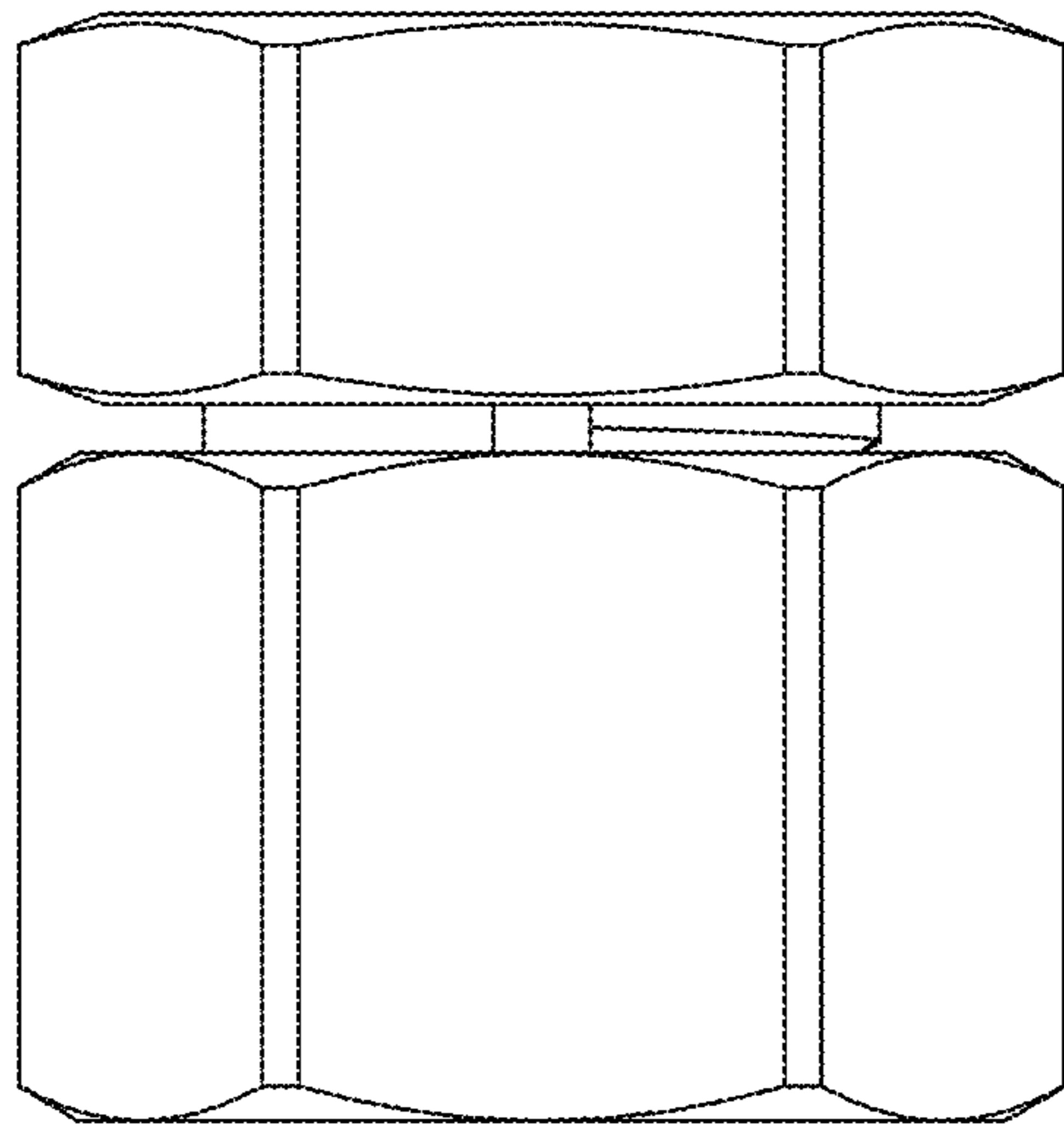


FIG. 6



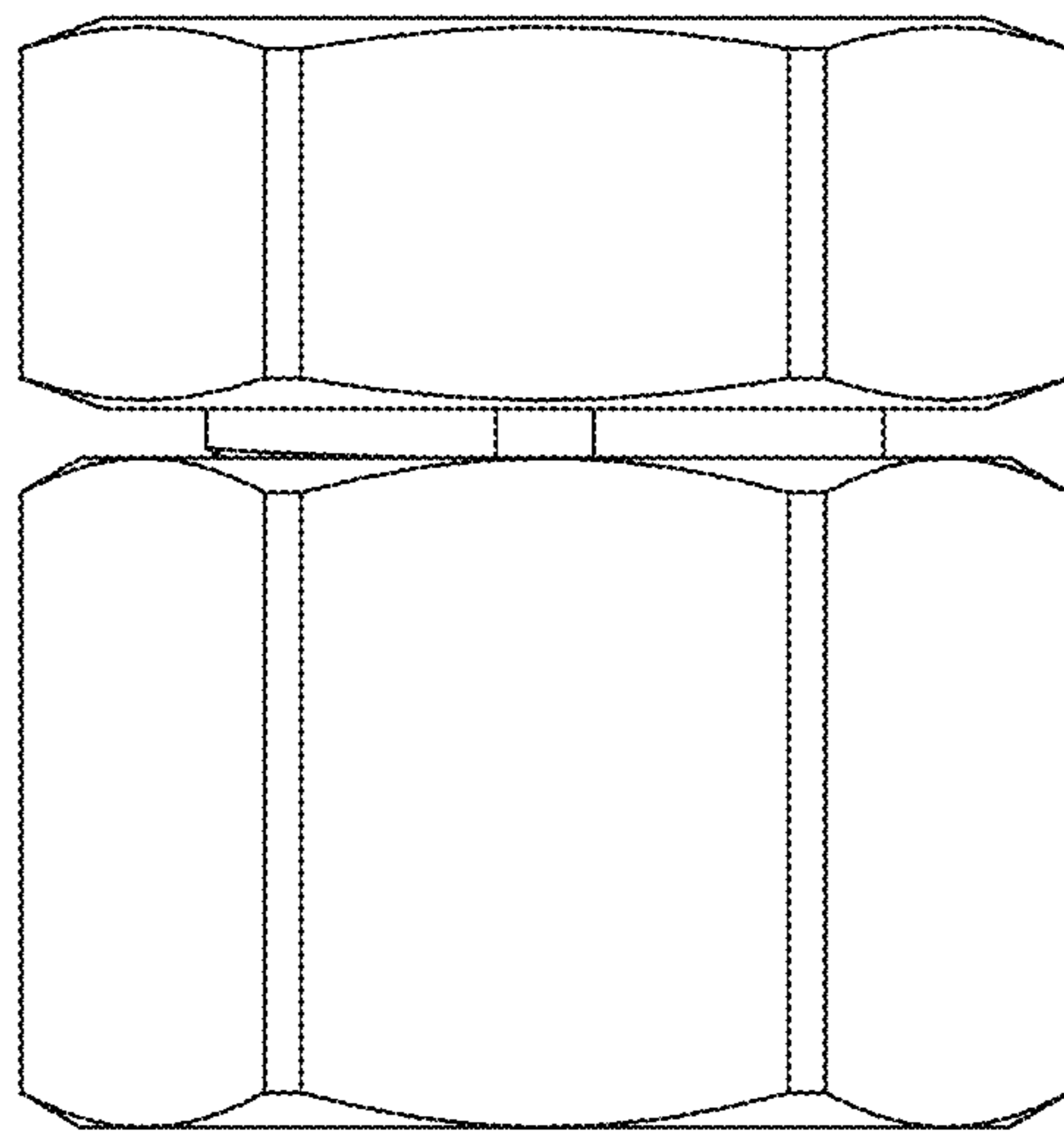


FIG. 7

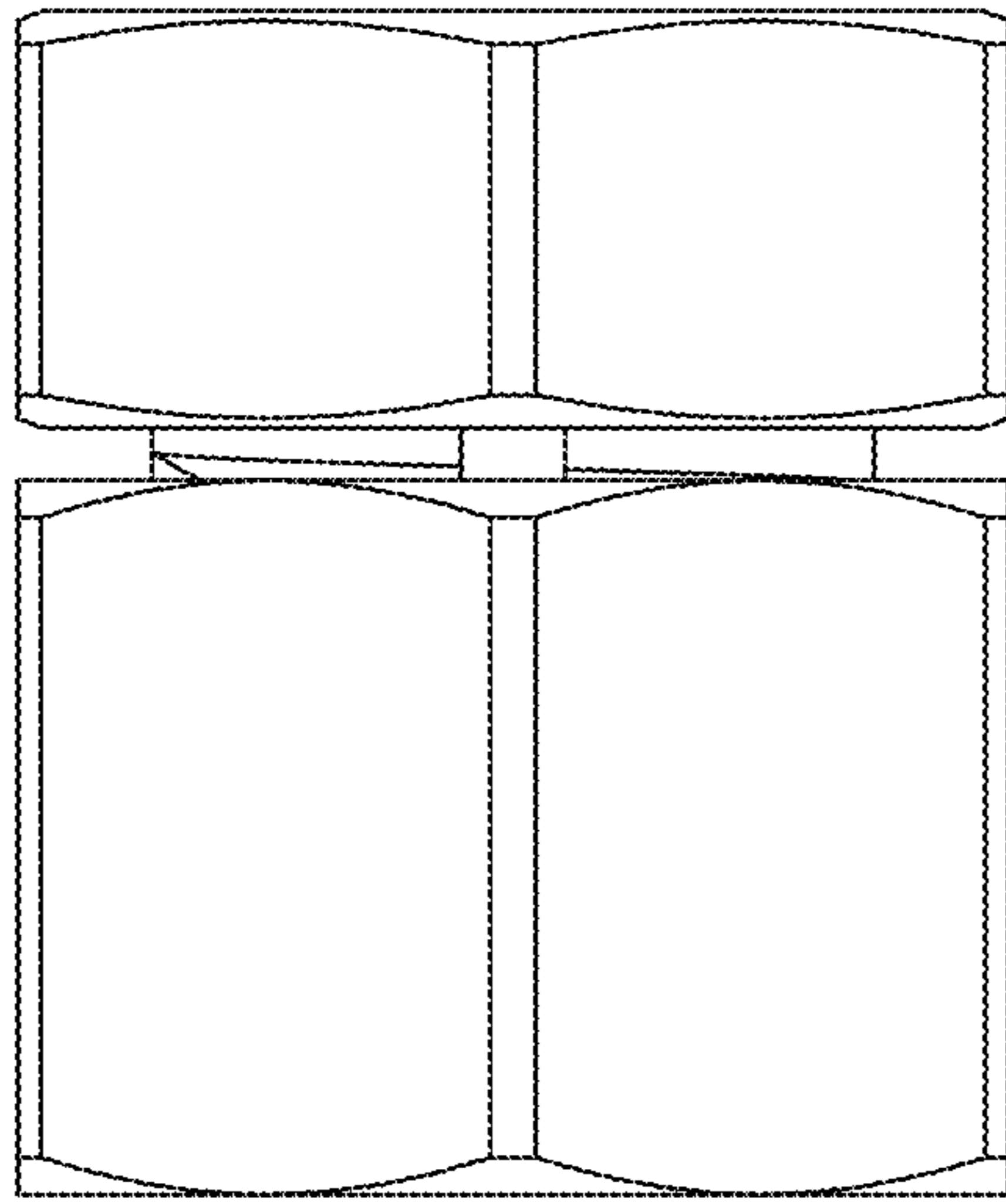


FIG. 8

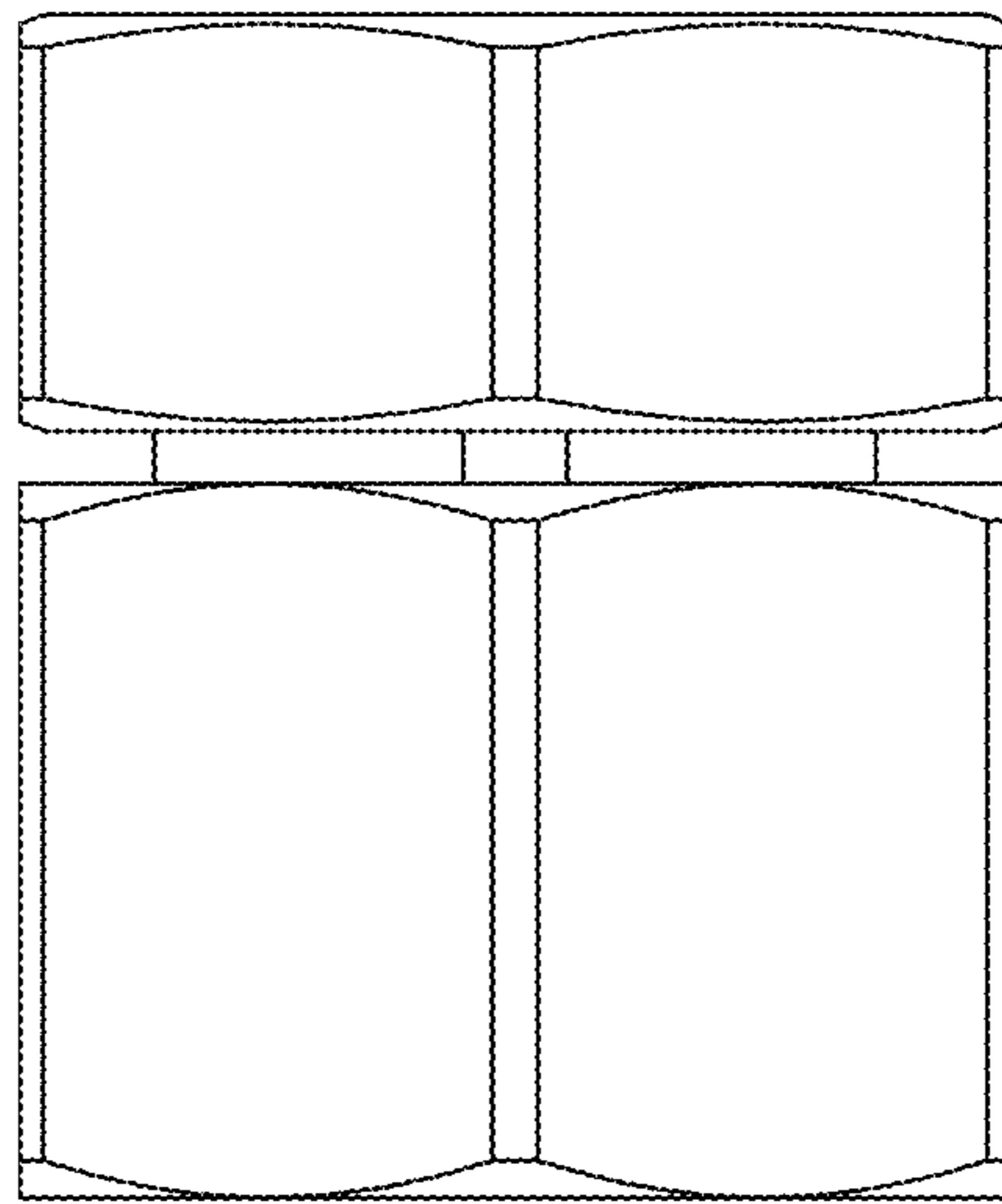


FIG. 9

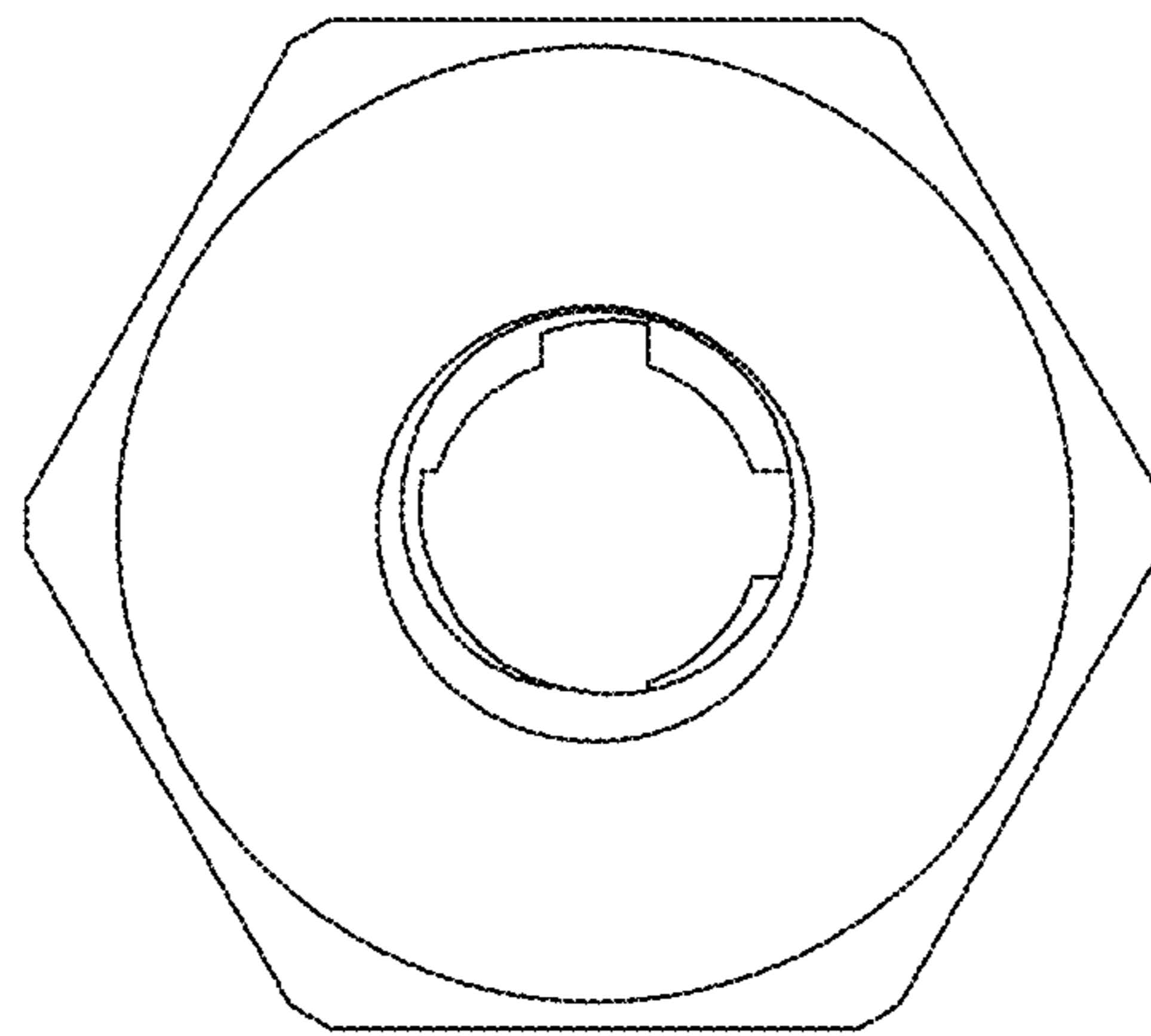


FIG. 10

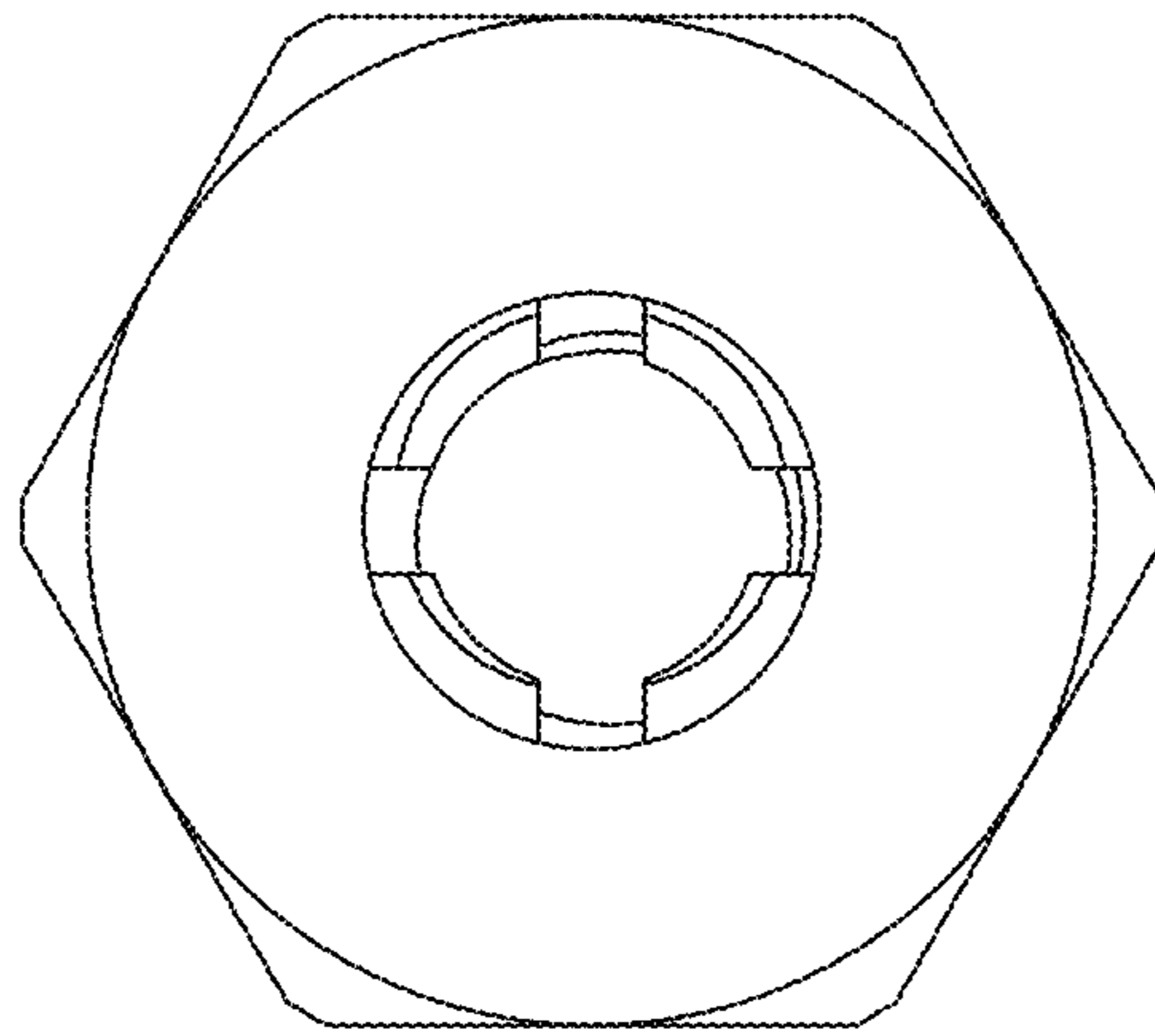


FIG. 11

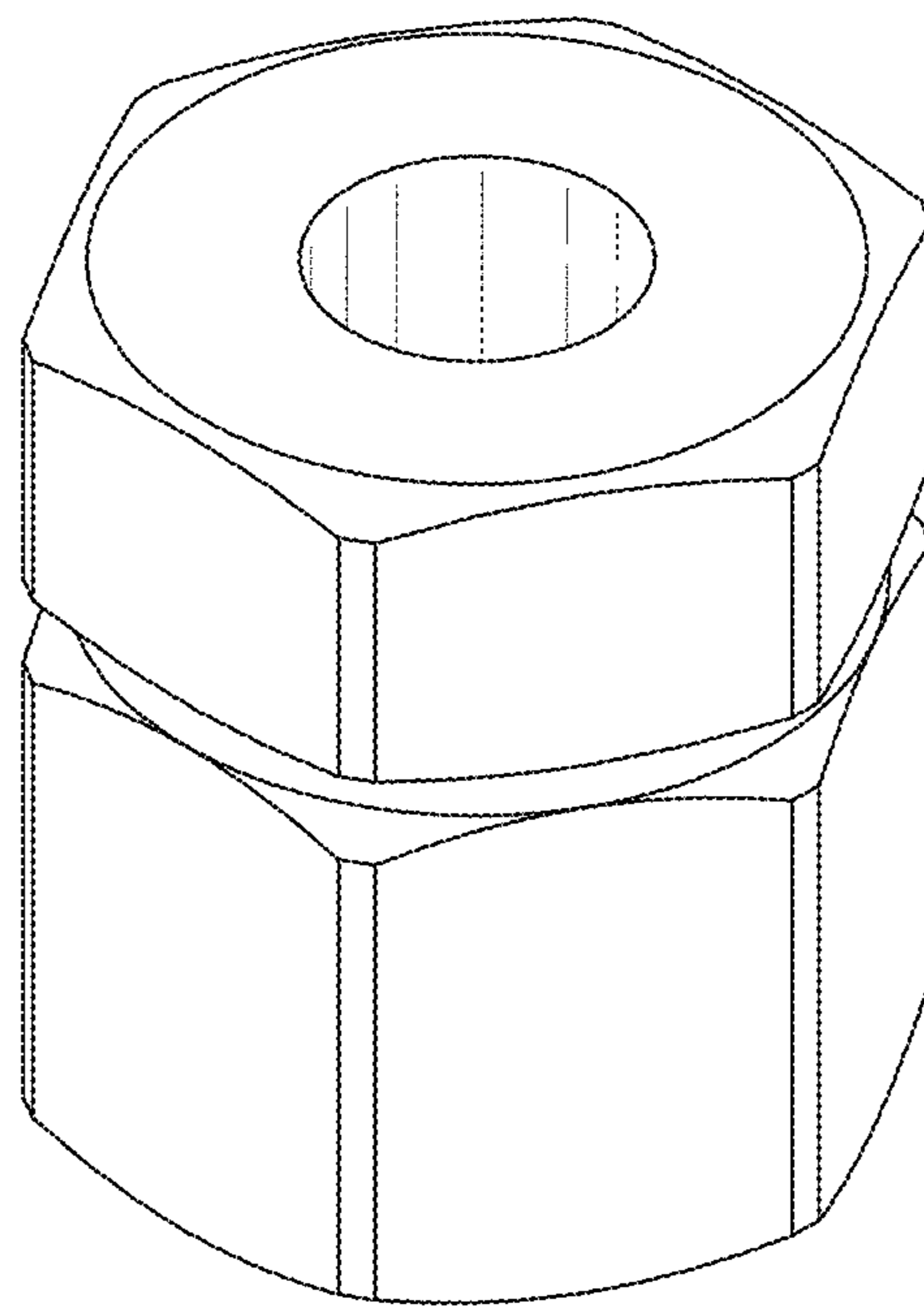


FIG. 12