

US00D791559S

(12) **United States Design Patent** (10) **Patent No.:** **US D791,559 S**
DeCamp (45) **Date of Patent:** **** Jul. 11, 2017**

(54) **PLANT STAKE** D331,865 S * 12/1992 Parker 47/70
 D346,098 S * 4/1994 Schweiker, Jr. D8/1
 D348,858 S * 7/1994 Nuosce D11/148
 D349,472 S * 8/1994 Olswanger D11/164
 5,345,714 A * 9/1994 Washington A01G 9/124
 47/65.6

(71) Applicant: **Robert Allen DeCamp**, Shawnee, KS
 (US) D362,206 S * 9/1995 Nuosce 47/70
 D422,427 S * 4/2000 Packer D6/403
 D434,283 S * 11/2000 Dewey D23/214
 D453,895 S * 2/2002 Dewey D8/1
 6,408,569 B1 * 6/2002 Obregon A01G 9/124
 47/42

(72) Inventor: **Robert Allen DeCamp**, Shawnee, KS
 (US) 6,463,884 B1 * 10/2002 Lien A01K 31/04
 119/468

(**) Term: **15 Years** D466,379 S * 12/2002 Barbi D6/403
 7,028,636 B2 * 4/2006 Weiser A01K 39/014
 119/57.8

(21) Appl. No.: **29/542,134** D531,863 S * 11/2006 Irwin D8/1
 D574,202 S * 8/2008 Rodriguez D8/14
 D622,559 S * 8/2010 Brazier D8/1

(22) Filed: **Oct. 12, 2015** (Continued)

(51) **LOC (10) Cl.** **08-01**

(52) **U.S. Cl.**
 USPC **D8/1**

(58) **Field of Classification Search**
 USPC D8/1; D30/139; D6/403; D11/147, 152,
 D11/164, 148
 CPC A01K 39/014; E04C 3/005; E04H 12/08;
 E02D 3/02; B65F 1/1405; A01F 25/16;
 F16B 15/02; A01G 9/124
 See application file for complete search history.

Primary Examiner — Sheryl Lane
(74) Attorney, Agent, or Firm — Arthur K. Shaffer;
Intellectual Property Center, LLC

(56) **References Cited**

U.S. PATENT DOCUMENTS

2,905,282 A * 9/1959 Miller E04C 3/005
 135/118
 2,994,262 A * 8/1961 Bator A01F 25/16
 100/65
 3,678,901 A * 7/1972 Dulle A01K 31/12
 119/537
 3,911,866 A * 10/1975 Dodd A01K 15/025
 119/537
 4,158,995 A * 6/1979 Kaplan B65F 1/1405
 100/240
 D276,511 S * 11/1984 Kole D11/164
 D278,614 S * 4/1985 Moss D11/143
 D300,900 S * 5/1989 Dyke D8/1
 D301,195 S * 5/1989 Hardy D8/1
 5,042,192 A * 8/1991 Osteen A01K 5/0142
 43/109

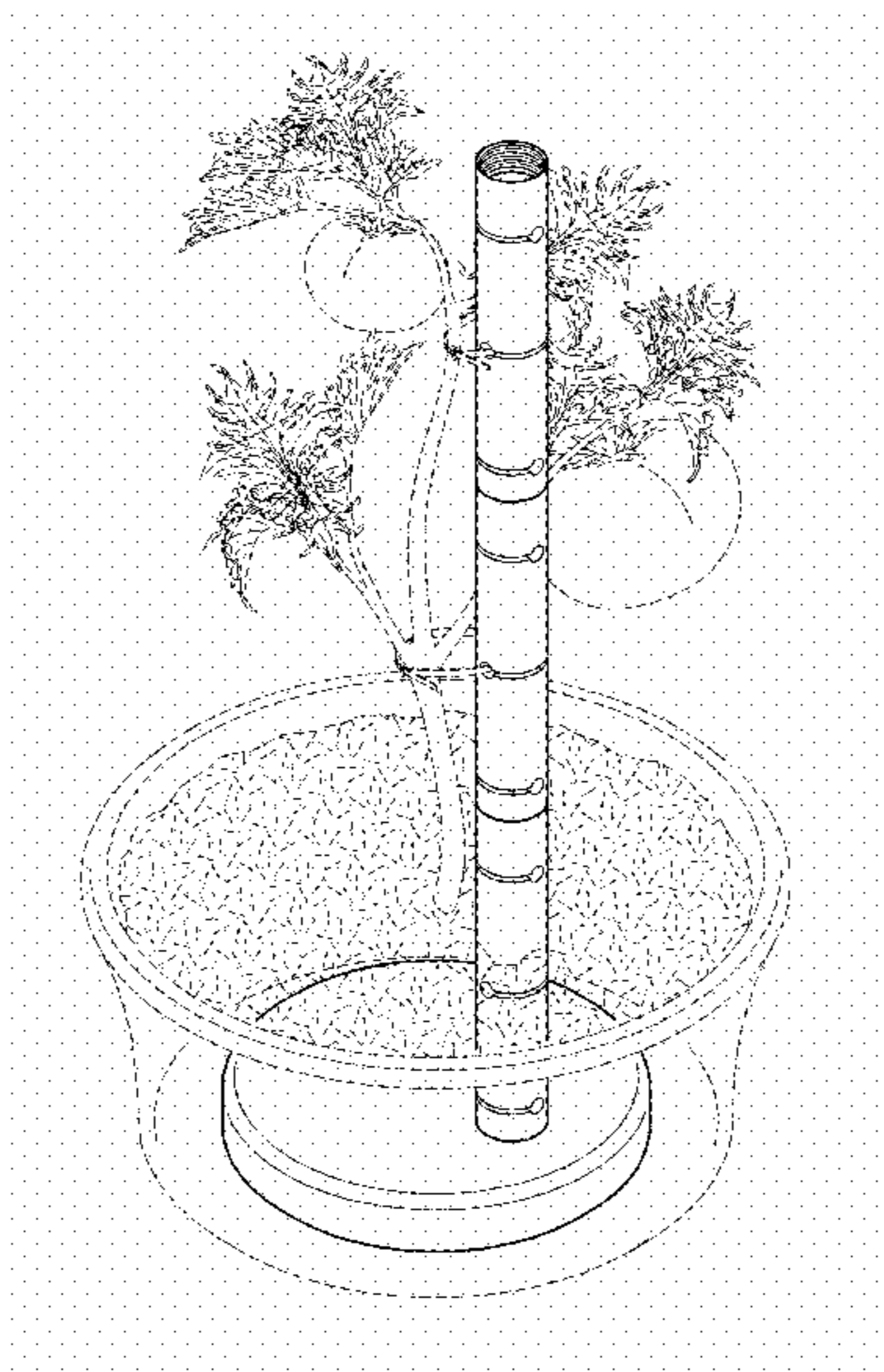
(57) **CLAIM**

The ornamental design for a plant stake, as shown and described herein.

DESCRIPTION

FIG. 1 is a side perspective view of a plant stake in accordance with the present invention; FIG. 2 is a front isometric view thereof; FIG. 3 is a bottom plan view thereof; FIG. 4 is a top plan view thereof; FIG. 5 is a front elevation thereof; FIG. 6 is a rear elevation thereof; FIG. 7 is a left side elevation thereof; and, FIG. 8 is a right side elevation thereof.

1 Claim, 5 Drawing Sheets



(56)

References Cited

U.S. PATENT DOCUMENTS

D625,650 S * 10/2010 Simpson D11/147
D636,236 S * 4/2011 Telford, Jr. D8/1
D674,255 S * 1/2013 Evans D8/1
D682,483 S * 5/2013 Silverman D30/129
8,753,042 B1 * 6/2014 Thompson F16B 5/0692
405/259.1
D750,942 S * 3/2016 Mauro D8/1
2003/0235470 A1 * 12/2003 Gelb E02D 3/02
404/133.1
2009/0077878 A1 * 3/2009 Simpson A01G 9/124
47/46

* cited by examiner

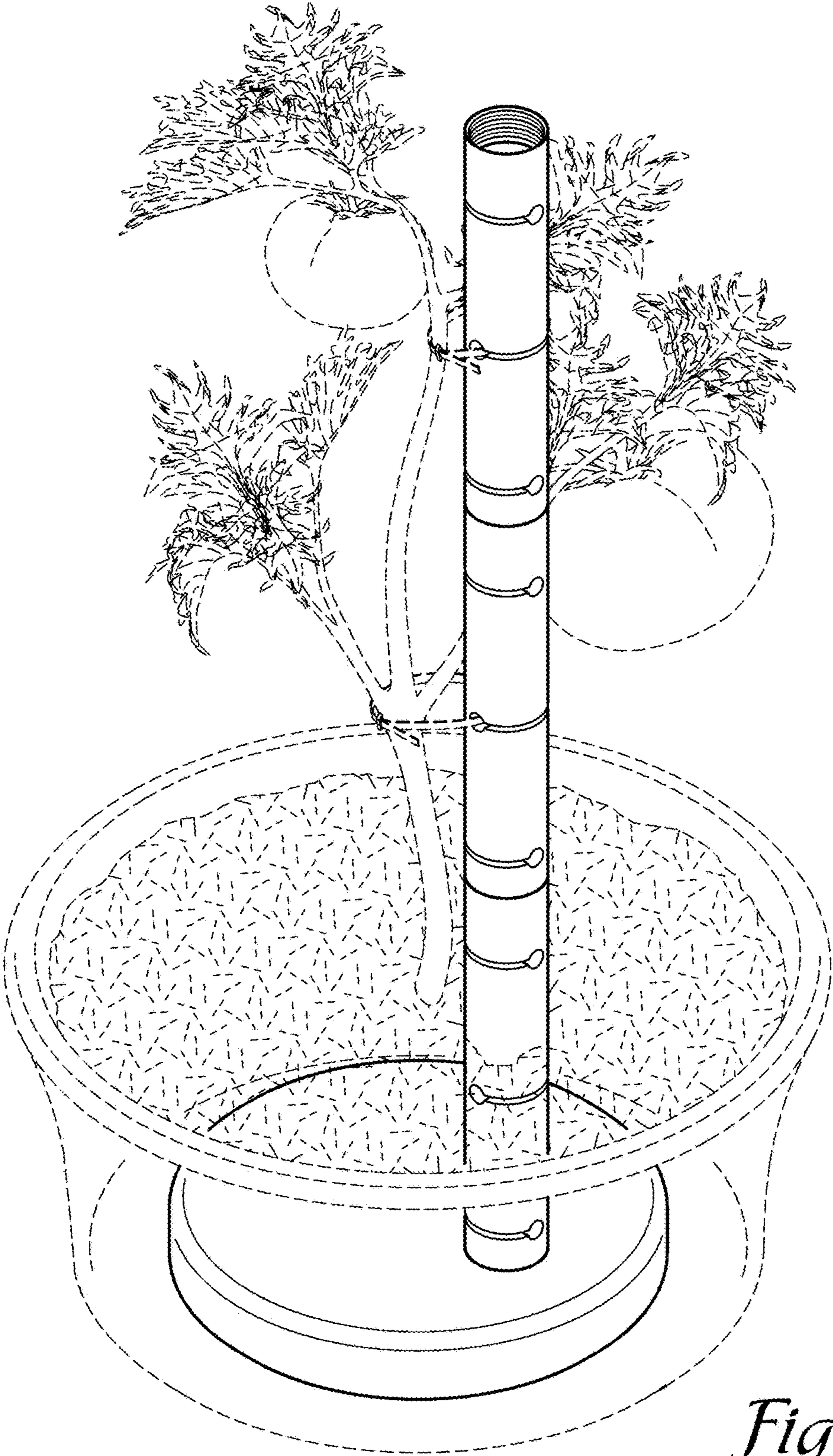


Fig. 1

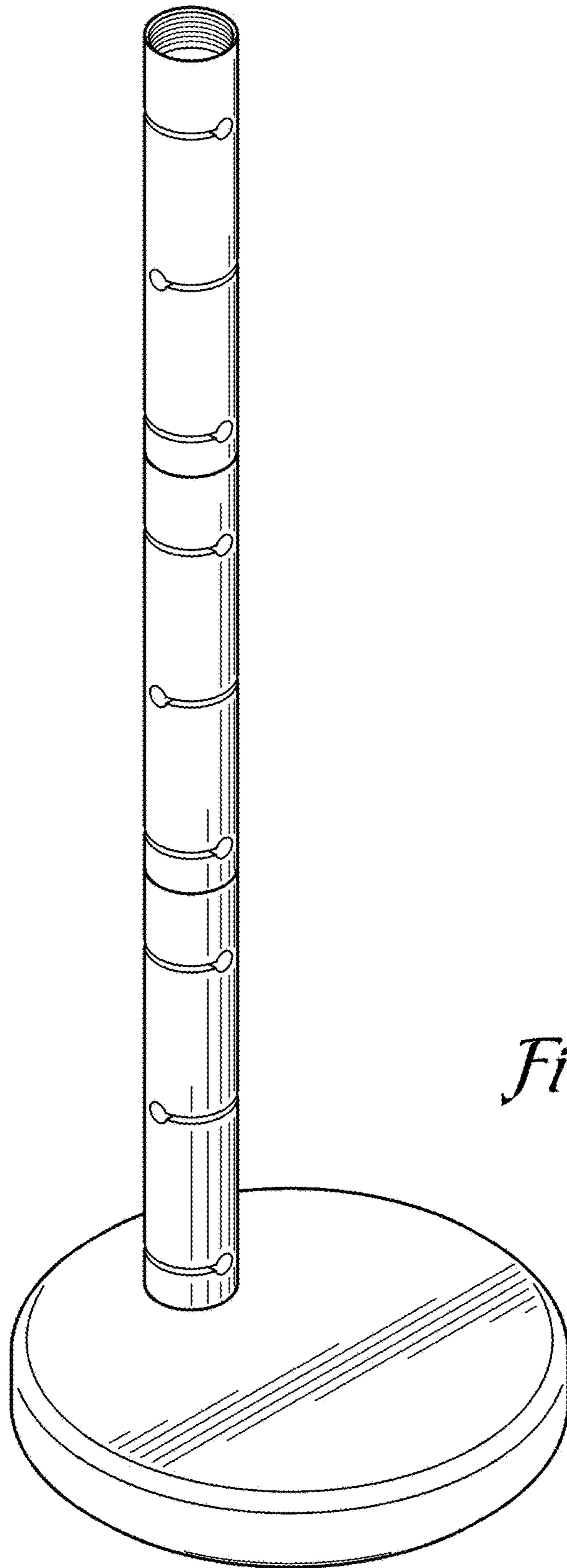


Fig. 2

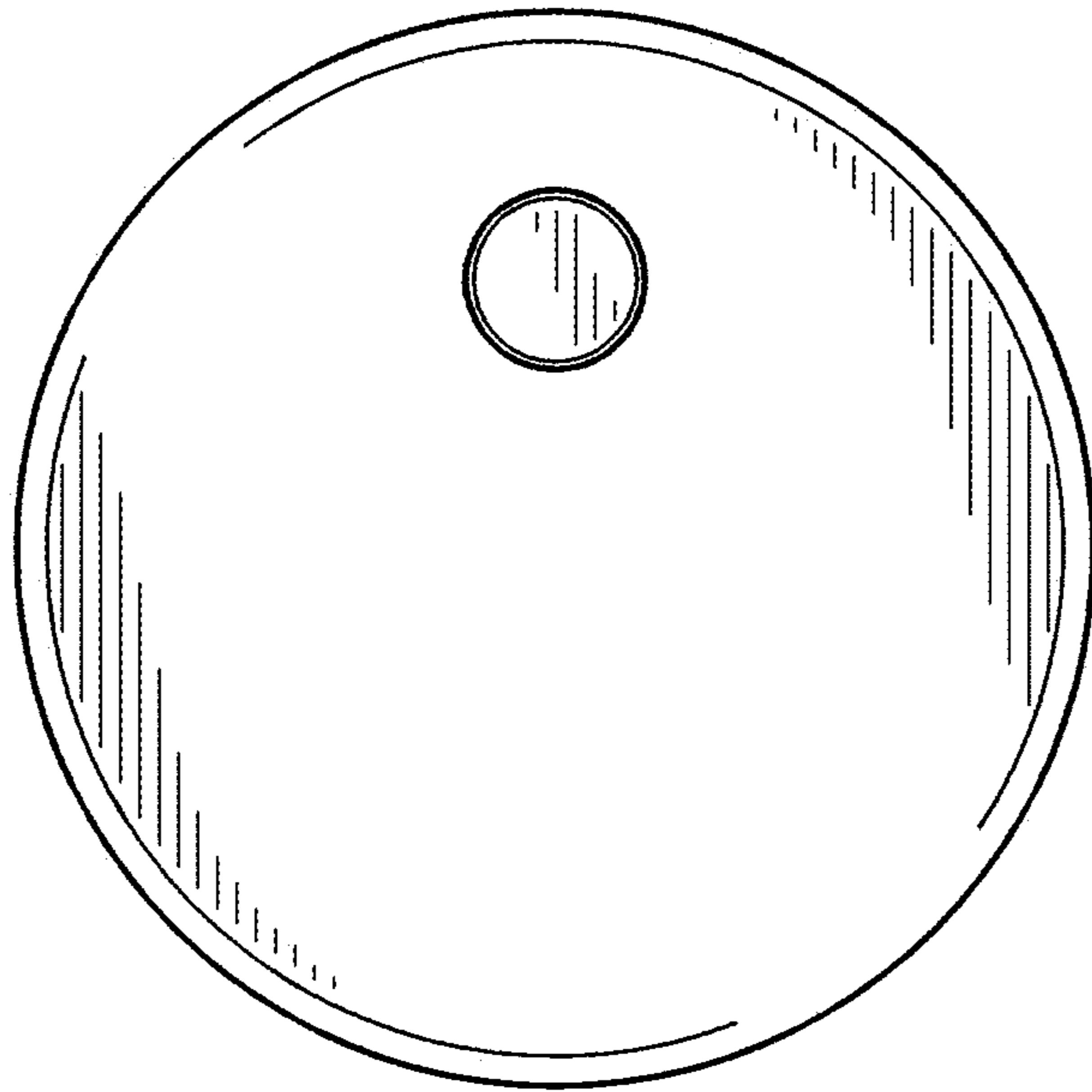


Fig. 3

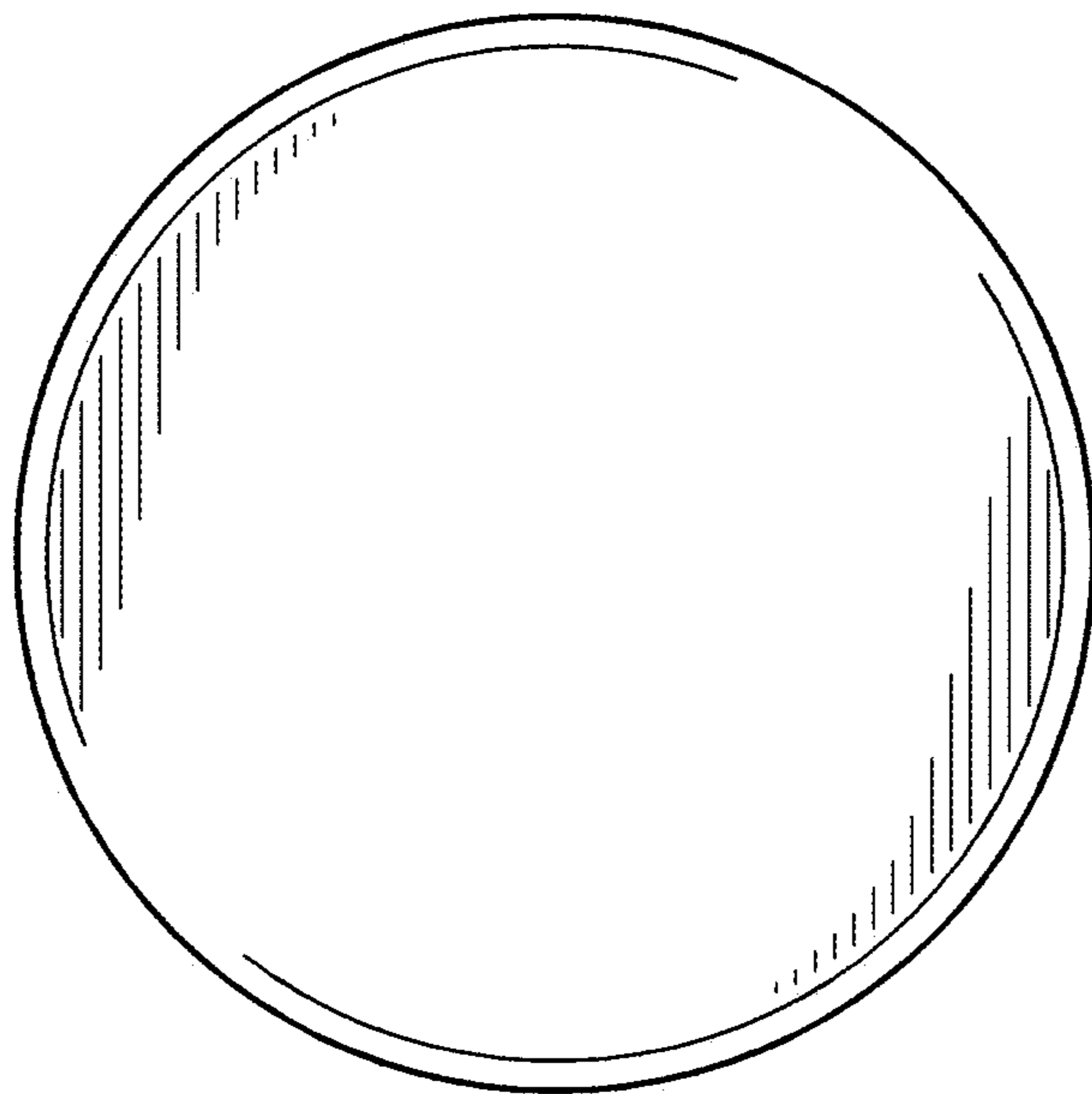


Fig. 4

