



US00D791558S

(12) **United States Design Patent**
Carpio

(10) **Patent No.:** **US D791,558 S**

(45) **Date of Patent:** **** Jul. 11, 2017**

(54) **STAKING COLLAR**

(71) Applicant: **A. RAYMOND et Cie**, Grenoble (FR)

(72) Inventor: **Josep Torres Carpio**, Barcelona (ES)

(73) Assignee: **A. Raymond et Cie**, Grenoble (FR)

(**) Term: **14 Years**

(21) Appl. No.: **29/526,146**

(22) Filed: **May 6, 2015**

(30) **Foreign Application Priority Data**

Nov. 6, 2014 (EM) 002572313-0001

(51) **LOC (10) Cl.** **08-01**

(52) **U.S. Cl.**
USPC **D8/1**

(58) **Field of Classification Search**
USPC D8/1, 382, 349, 72, 395; D6/553
CPC A01G 9/12; E04C 5/163; E04C 5/167;
E04G 21/122

See application file for complete search history.

(56) **References Cited**

U.S. PATENT DOCUMENTS

D253,457 S *	11/1979	Sandel	D8/395
D267,231 S *	12/1982	Guem, Jr.	D21/775
4,407,472 A *	10/1983	Beck	A62C 33/04
				24/339
D363,017 S *	10/1995	Noble	D8/395
D363,211 S *	10/1995	Noble	D8/371
D379,575 S *	6/1997	Atkins	D8/1
D387,652 S *	12/1997	Carlson, Jr.	D8/356
D399,712 S *	10/1998	Villella	D8/1
D407,295 S *	3/1999	Belokin	D8/349
5,979,110 A	11/1999	Tai	
D420,568 S *	2/2000	Repmann	D8/382
D442,001 S *	5/2001	Loveless	D6/553

6,378,175 B1	4/2002	Vanderpan	
6,401,385 B1 *	6/2002	Kleinert	A01G 9/12
				47/29.1
D520,352 S *	5/2006	Knight	D8/395
D522,352 S *	6/2006	Van Straaten	D8/395
7,162,836 B2 *	1/2007	Van Straaten	E04H 15/003
				52/2.18
D549,086 S *	8/2007	Fujiwara	D8/382
D581,255 S *	11/2008	Calvin	D8/356
D621,253 S *	8/2010	Heindl	D8/382
D628,468 S *	12/2010	Camp, Jr.	D8/395
D631,740 S *	2/2011	Wood	D8/396
7,900,419 B2 *	3/2011	Kodi	E04C 5/163
				52/677
D665,660 S *	8/2012	Heindl	D8/382
D670,547 S *	11/2012	Gorzo	D11/164
D672,004 S *	12/2012	Stracener	D22/108

(Continued)

FOREIGN PATENT DOCUMENTS

CH	269995 A	8/1950
NL	1004850 C1	6/1998

Primary Examiner — Sheryl Lane

(74) *Attorney, Agent, or Firm* — Troutman Sanders LLP;
Ryan A. Schneider

(57) **CLAIM**

The ornamental design for a staking collar, as shown and described.

DESCRIPTION

FIG. 1 is a top perspective view of the staking collar of the present invention;

FIG. 2 is a side view of the staking collar of FIG. 1;

FIG. 3 is the other side view of the staking collar of FIG. 1;

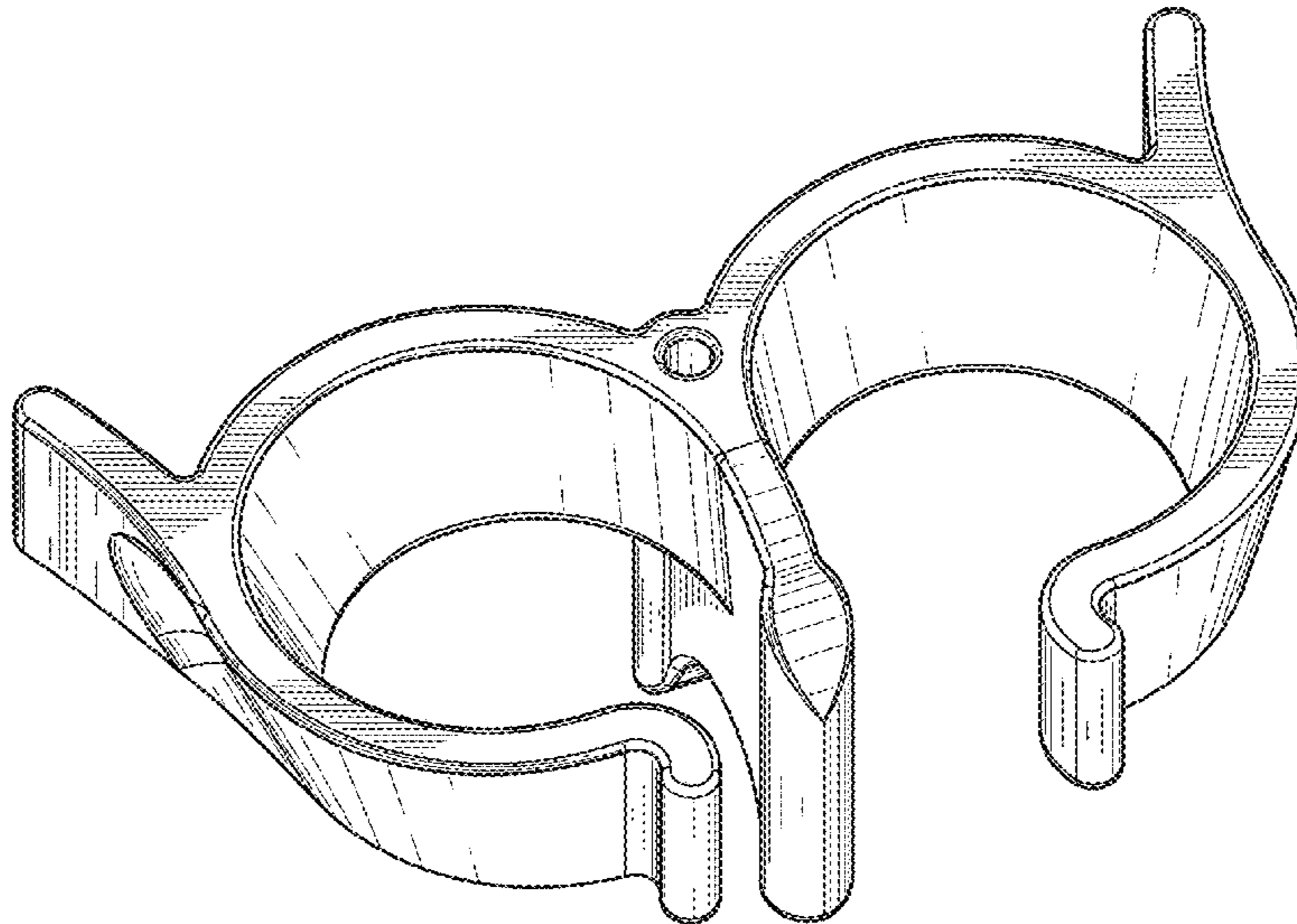
FIG. 4 is a front view of the staking collar of FIG. 1;

FIG. 5 is a back view of the staking collar of FIG. 1;

FIG. 6 is a top view of the staking collar of FIG. 1; and,

FIG. 7 is a bottom view of the staking collar of FIG. 1.

1 Claim, 7 Drawing Sheets



(56)

References Cited

U.S. PATENT DOCUMENTS

D686,103 S * 7/2013 Mitsui D11/26
D699,537 S * 2/2014 Miller D8/72
8,640,323 B2 * 2/2014 Kodi E04C 5/167
29/243.56
8,776,328 B2 * 7/2014 Kodi E04C 5/163
24/339
D722,493 S * 2/2015 Ramsauer D8/395
8,955,679 B2 * 2/2015 Kodi E04C 5/167
206/340
D727,656 S * 4/2015 Lim D6/553
D732,009 S * 6/2015 Bak D14/229
D739,853 S * 9/2015 Lee D14/253
D762,463 S * 8/2016 Espinosa, Jr. D8/382
2014/0007395 A1 * 1/2014 Hemingway B25B 25/005
29/281.1
2014/0197635 A1 * 7/2014 Danby B60R 21/217
285/420

* cited by examiner

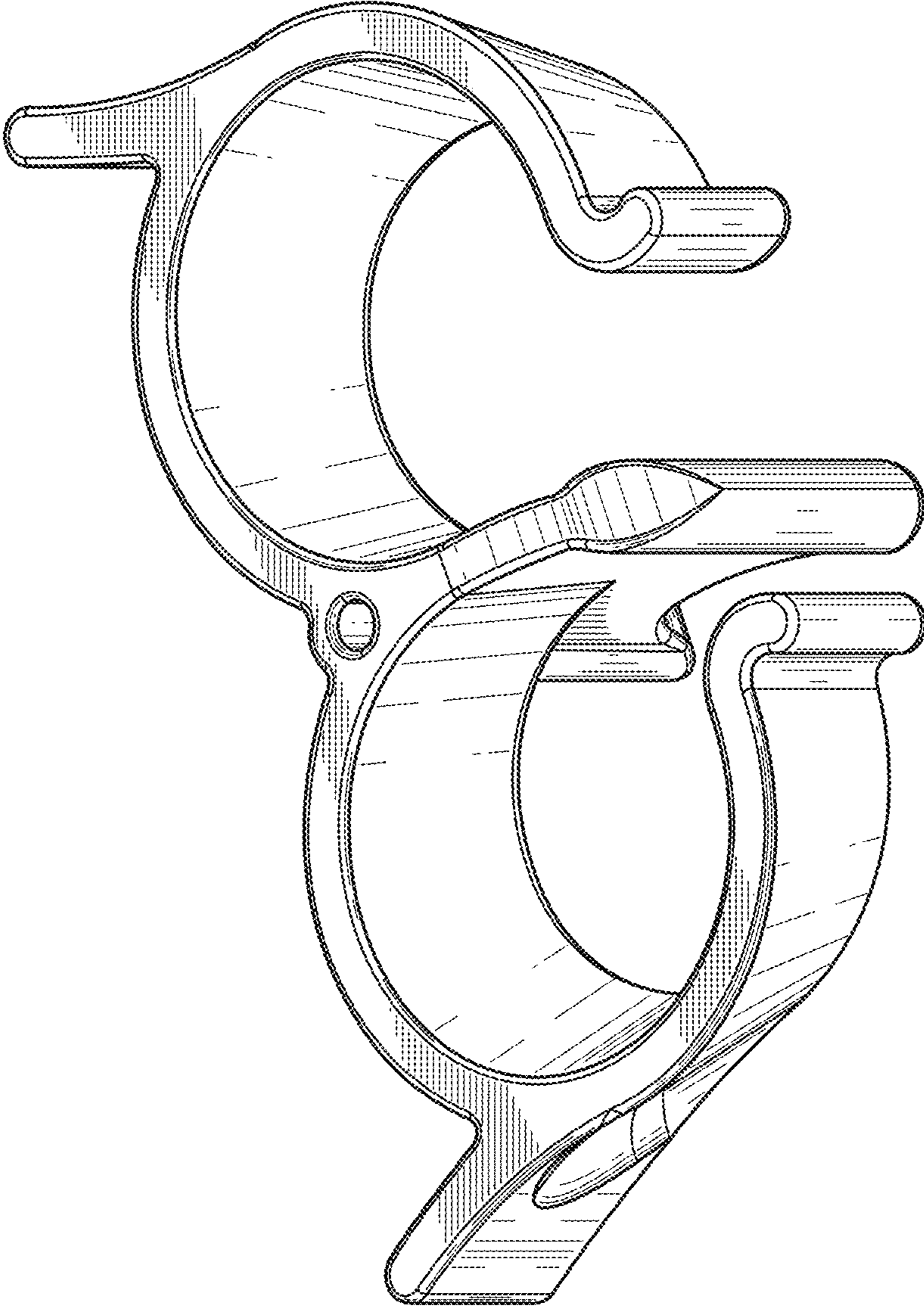


FIG. 1

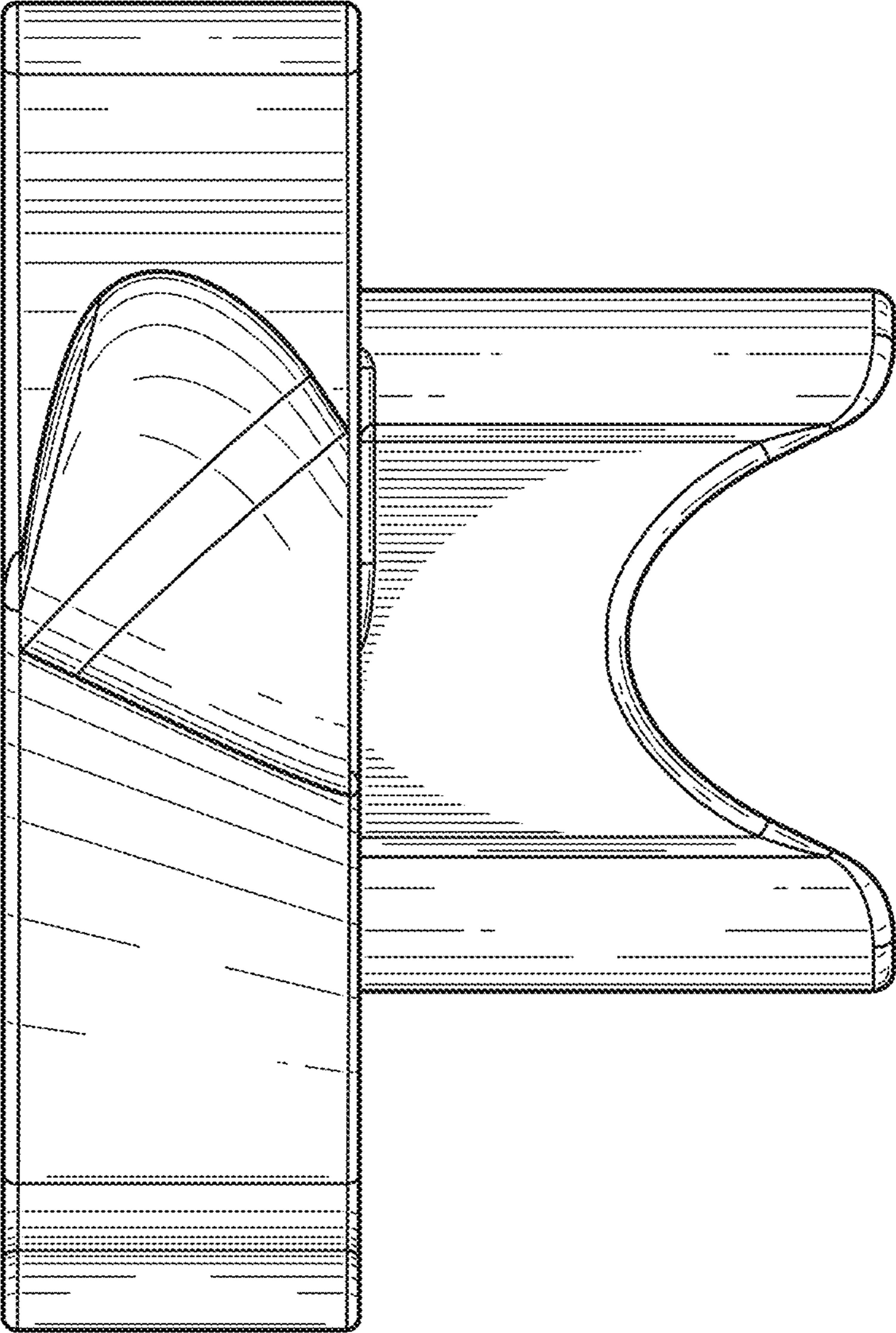


FIG. 2

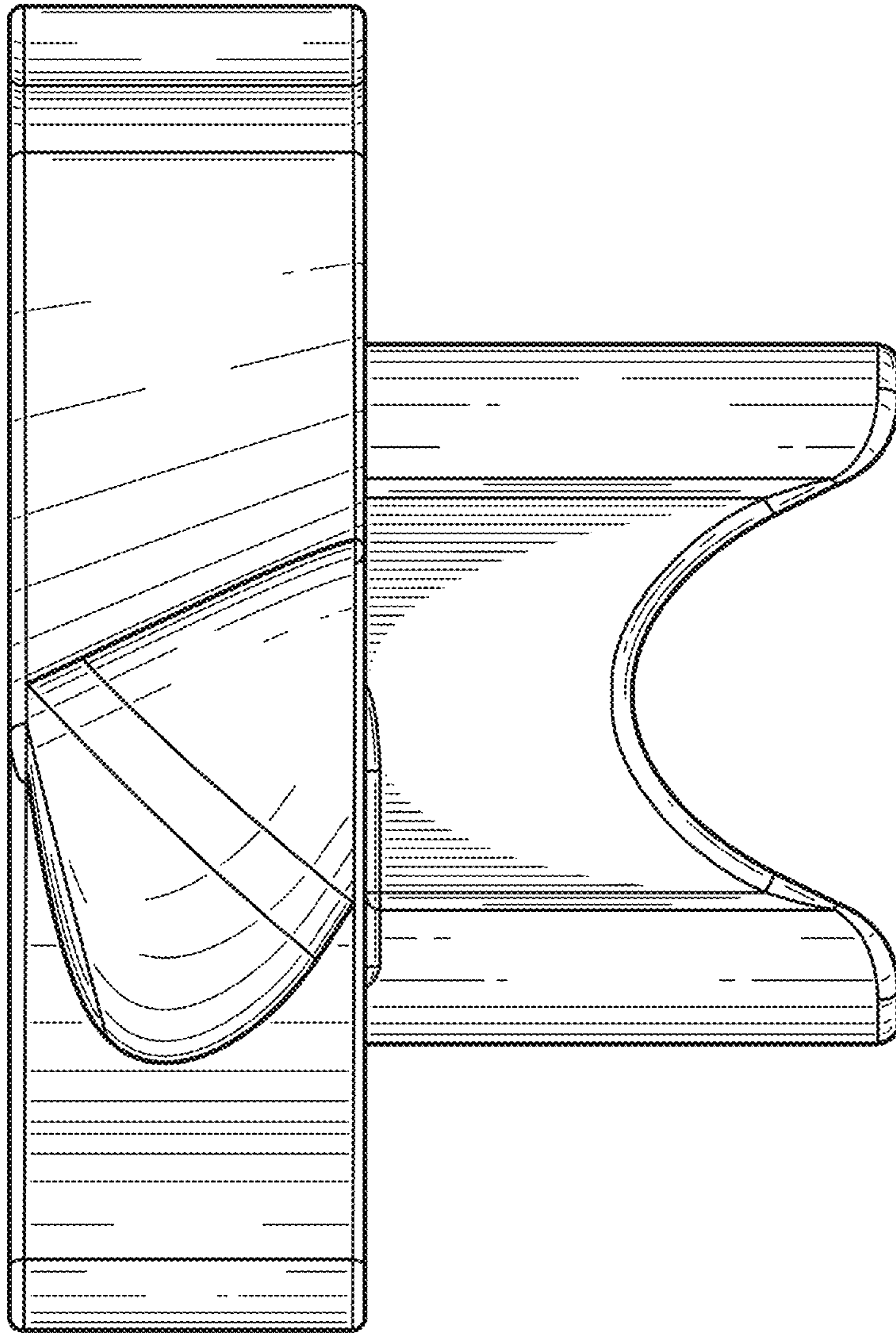


FIG. 3

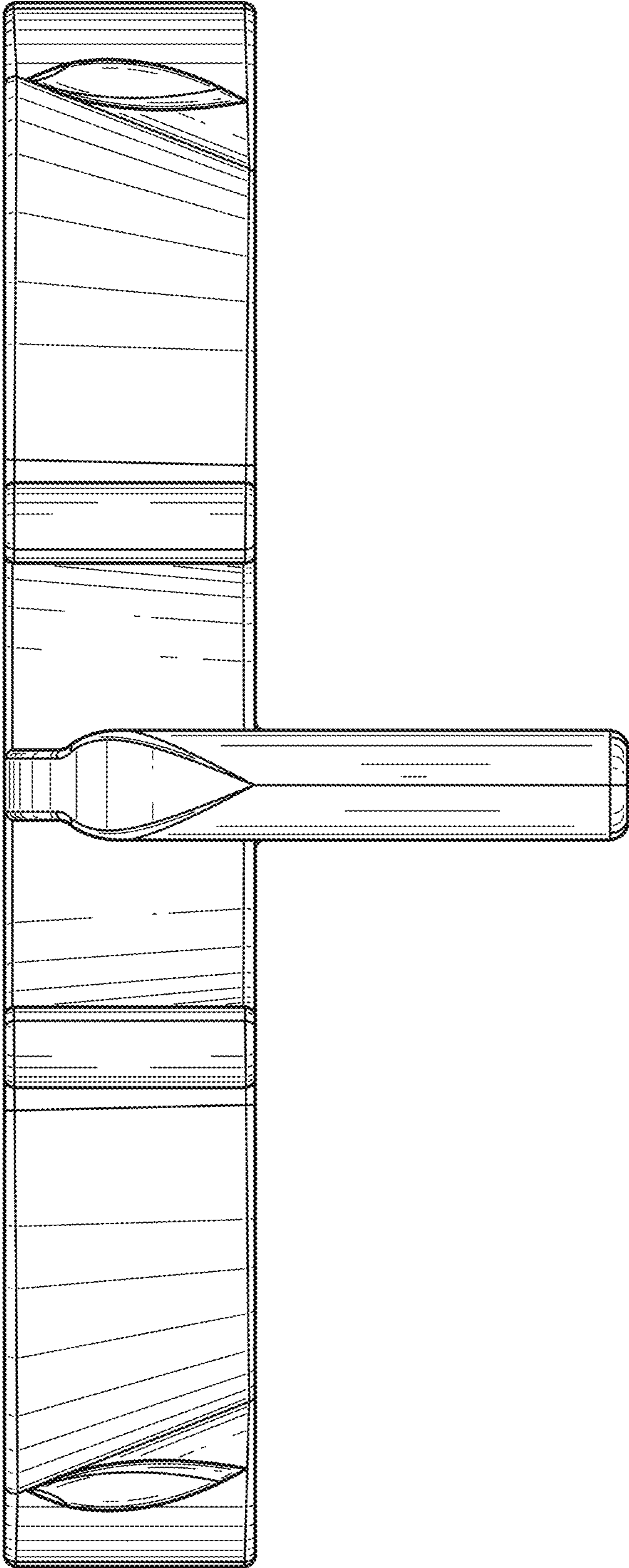


FIG. 4

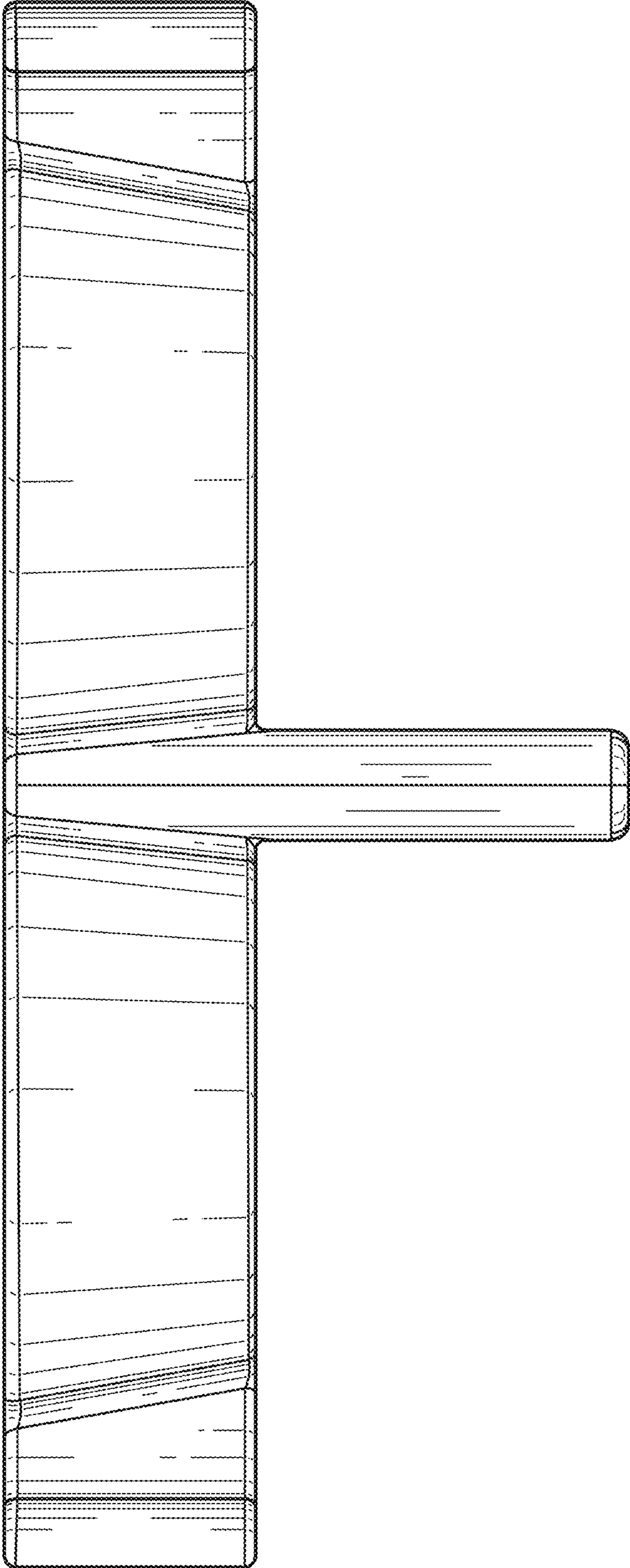


FIG. 5

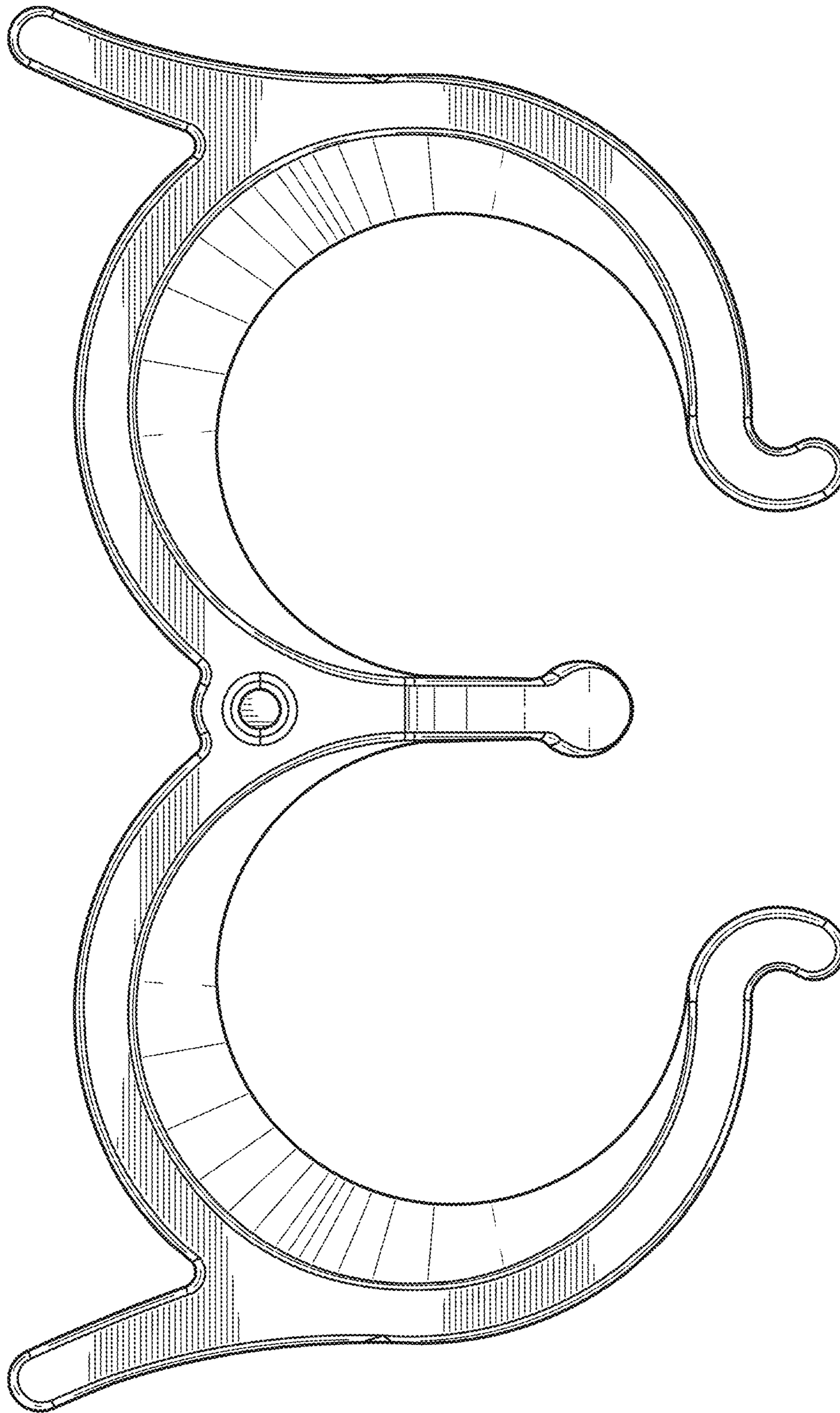


FIG. 6

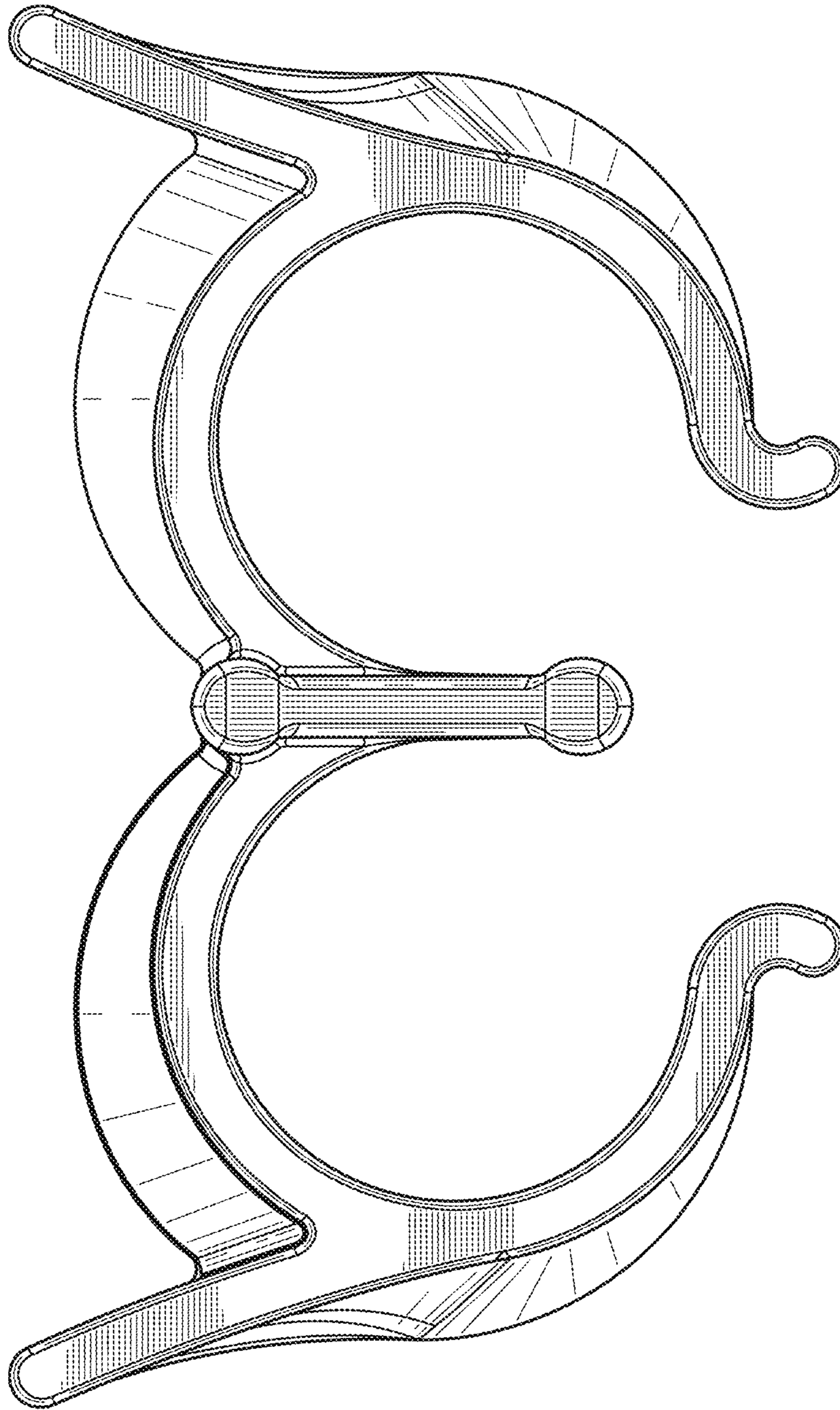


FIG. 7