



US00D791557S

(12) **United States Design Patent** (10) **Patent No.:** **US D791,557 S**
Hsu (45) **Date of Patent:** **** Jul. 11, 2017**

(54) **FRUIT CUTTER** 5,690,022 A * 11/1997 Chai A47J 17/16
99/541
(71) Applicant: **TAFA INTERNATIONAL CORP.,** 5,950,528 A * 9/1999 Wang A23N 7/026
Taipei (TW) 99/542
(72) Inventor: **Shun-Fa Hsu, Taipei (TW)** D465,137 S * 11/2002 Wong D7/693
6,516,713 B1 * 2/2003 Holmander A47J 17/16
99/541
(73) Assignee: **TAFA INTERNATIONAL CORP.,** 6,854,383 B2 * 2/2005 Wang A47J 17/16
Taipei (TW) 99/542
7,077,058 B2 * 7/2006 Muro A47J 17/16
99/541
(**) Term: **15 Years** D689,348 S * 9/2013 Wong D7/693

* cited by examiner

(21) Appl. No.: **29/559,319**

(22) Filed: **Mar. 26, 2016**

(51) **LOC (10) Cl.** **07-04**

(52) **U.S. Cl.**
USPC **D7/693**

(58) **Field of Classification Search**
USPC D7/680-696
CPC .. A47J 25/00; A47J 17/04; A47J 17/16; A47J
17/00; A23N 4/20; A23N 4/00; A23N
4/12; A23N 4/18

See application file for complete search history.

(56) **References Cited**

U.S. PATENT DOCUMENTS

2,117,278 A * 5/1938 Ainsworth A47J 25/00
30/113.1
2,263,531 A * 11/1941 Kevorkian A47J 25/00
30/113.1
3,540,503 A * 11/1970 McNair A47J 25/00
30/301
4,690,047 A * 9/1987 Balzano A47J 25/00
30/128
5,105,735 A * 4/1992 Gonzalvo A47J 17/16
99/590
5,199,350 A * 4/1993 Lin A23N 4/18
99/538
5,557,998 A * 9/1996 Schwartz A21C 15/04
269/13

Primary Examiner — Terry Wallace

(74) *Attorney, Agent, or Firm* — Li & Cai Intellectual
Property (USA) Office

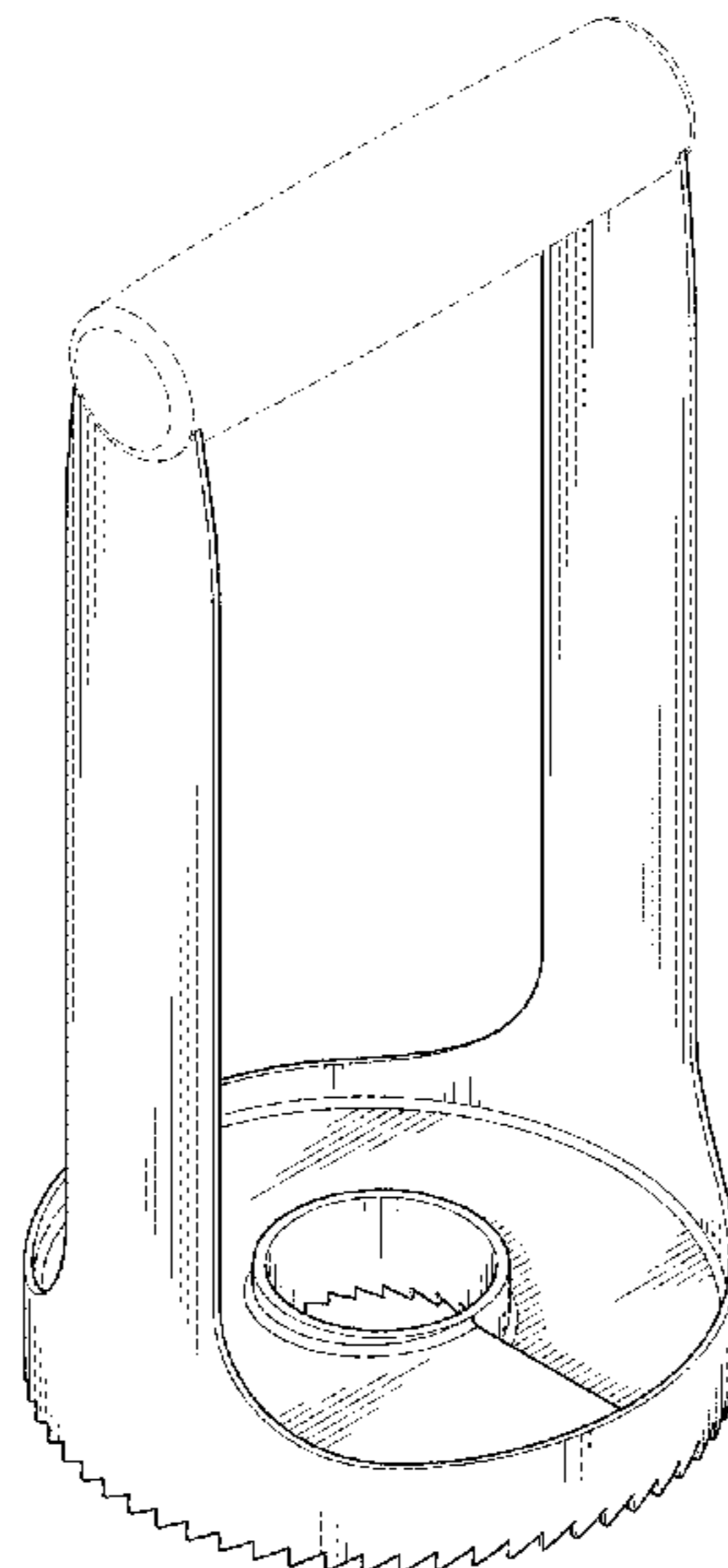
(57) **CLAIM**

The ornamental design for a “fruit cutter,” as shown and
described.

DESCRIPTION

FIG. 1 is a front and top perspective view of a fruit cutter
showing our new design;
FIG. 2 is a front elevation view thereof;
FIG. 3 is a rear elevation view thereof;
FIG. 4 is a left side elevation view thereof;
FIG. 5 is a right side elevation view thereof;
FIG. 6 is a top plan view thereof;
FIG. 7 is a bottom plan view thereof; and
FIG. 8 is a rear and bottom perspective view thereof; and,
FIG. 9 is a perspective view of FIG. 1 used with a protective
cover shown in broken line thereunder.
The broken line in the figure drawing views is included to
show unclaimed environment only and forms no part of the
claimed design.

1 Claim, 8 Drawing Sheets



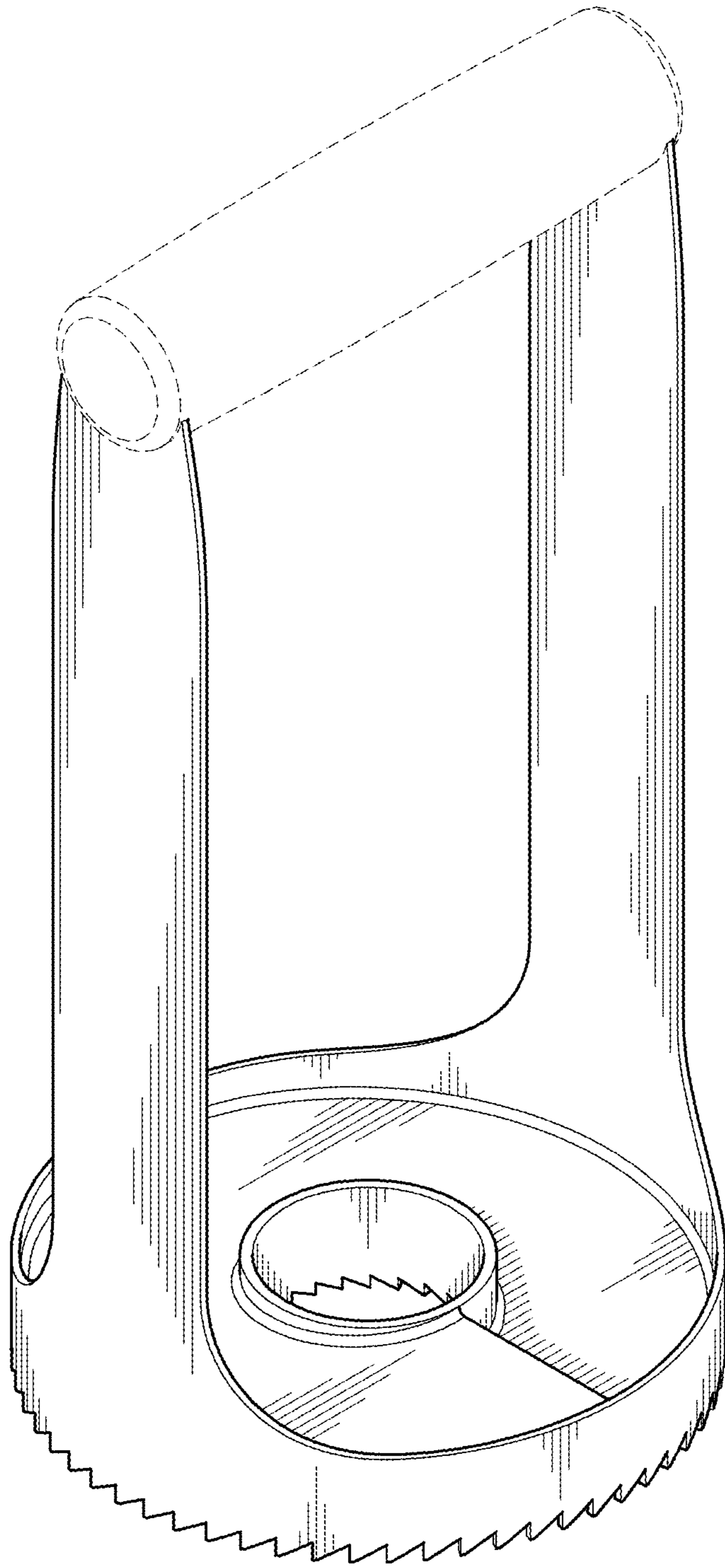


FIG.1

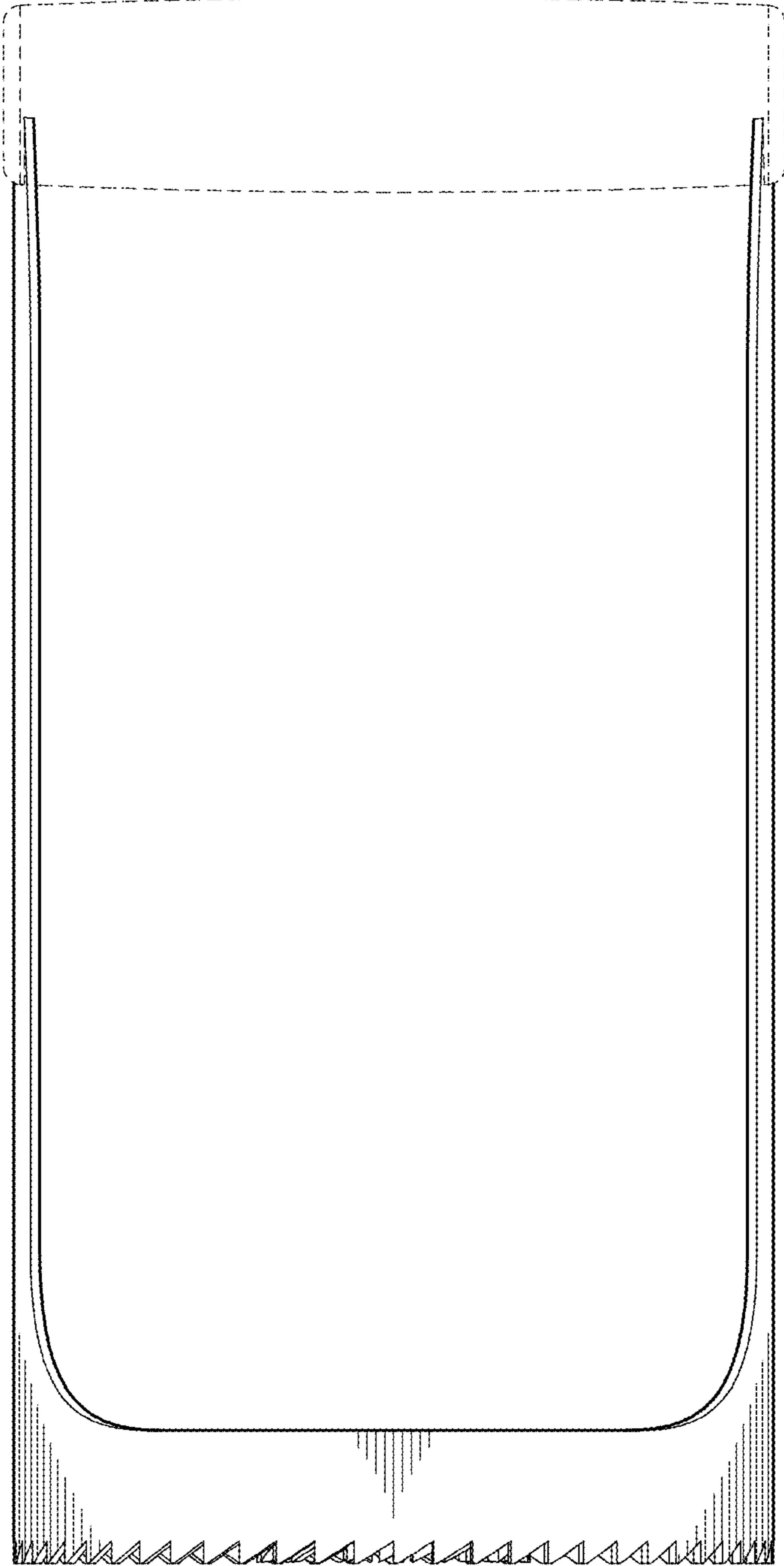


FIG.2

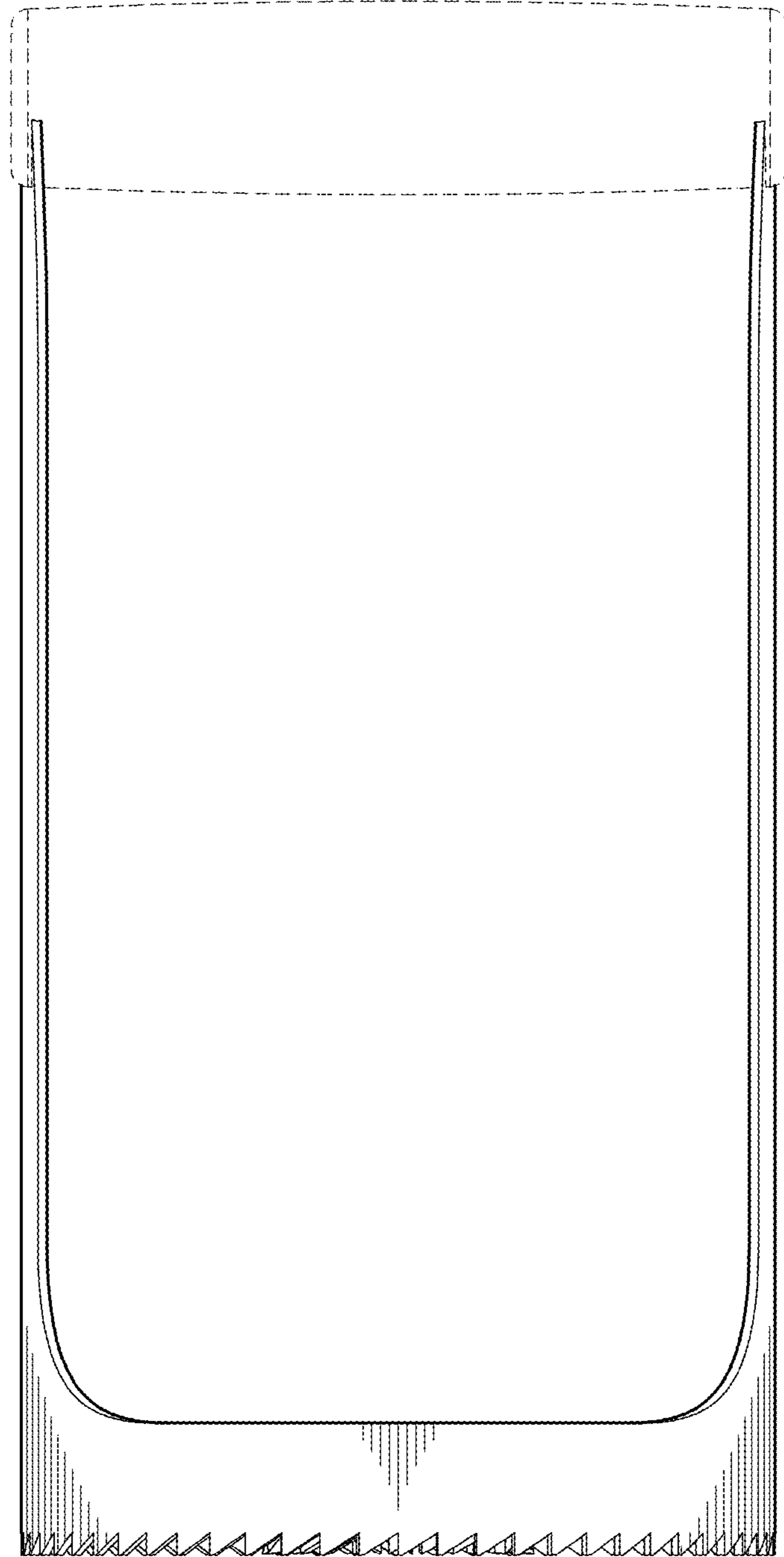


FIG.3

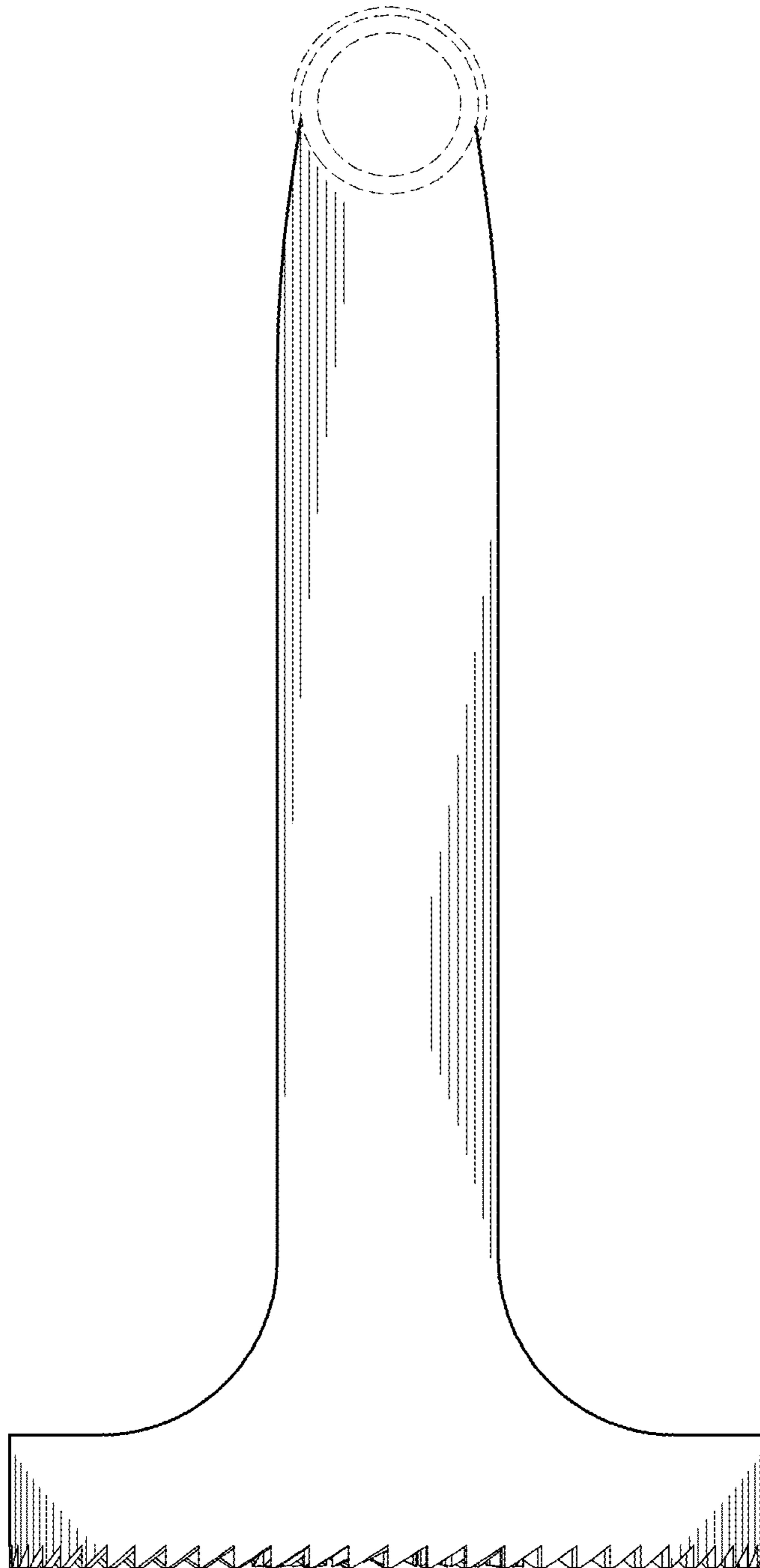


FIG.4

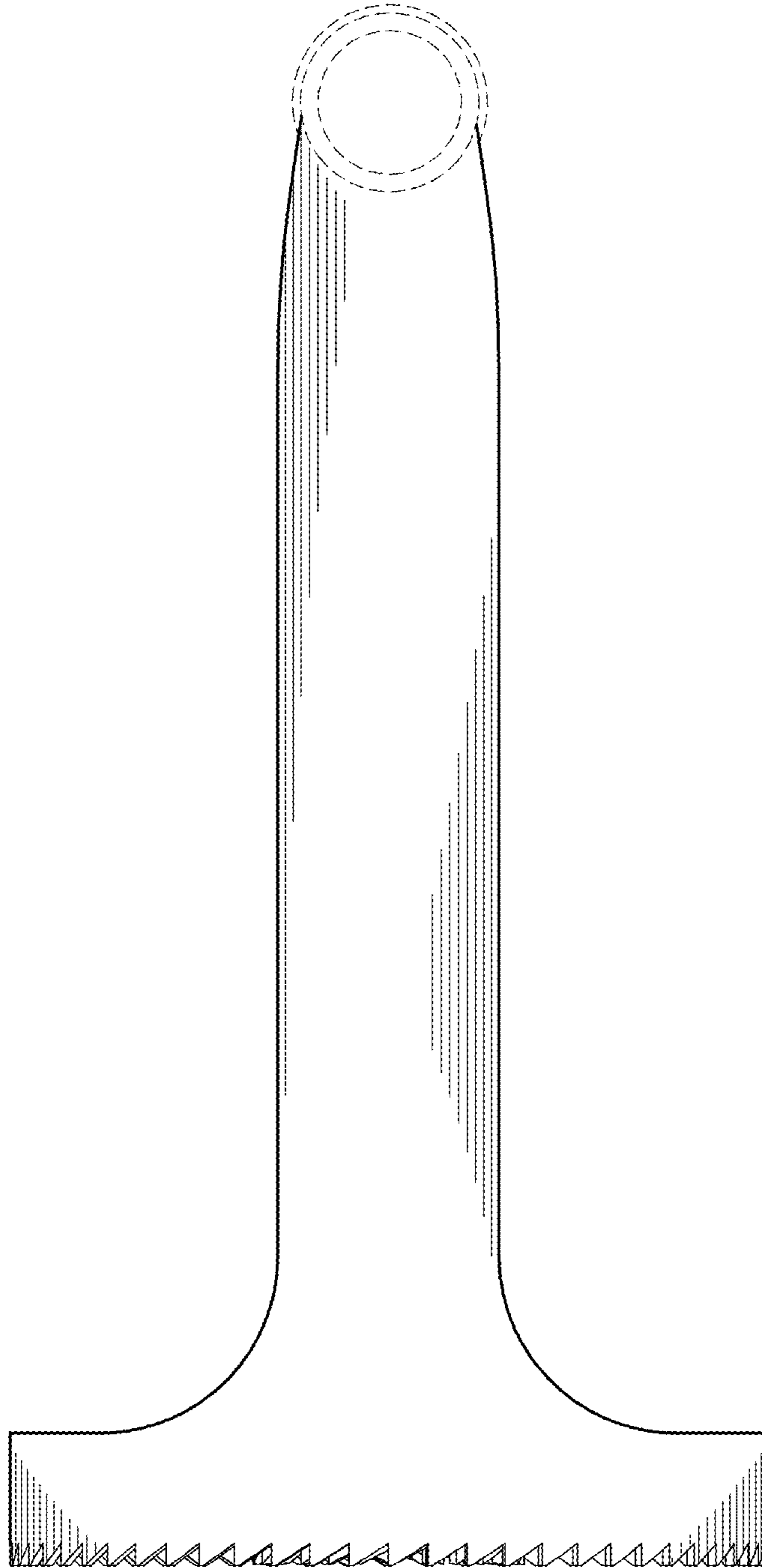


FIG.5

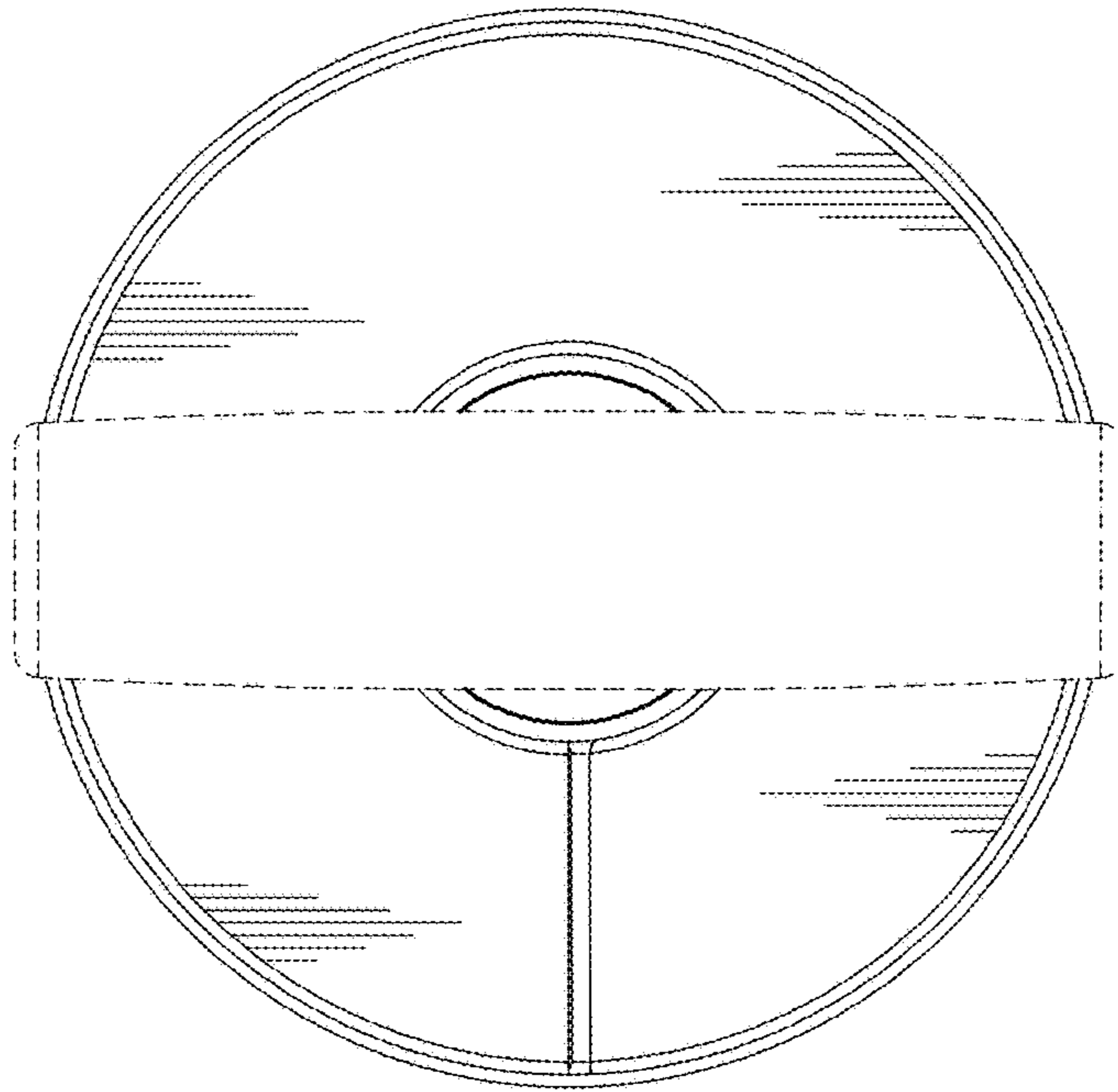


FIG. 6

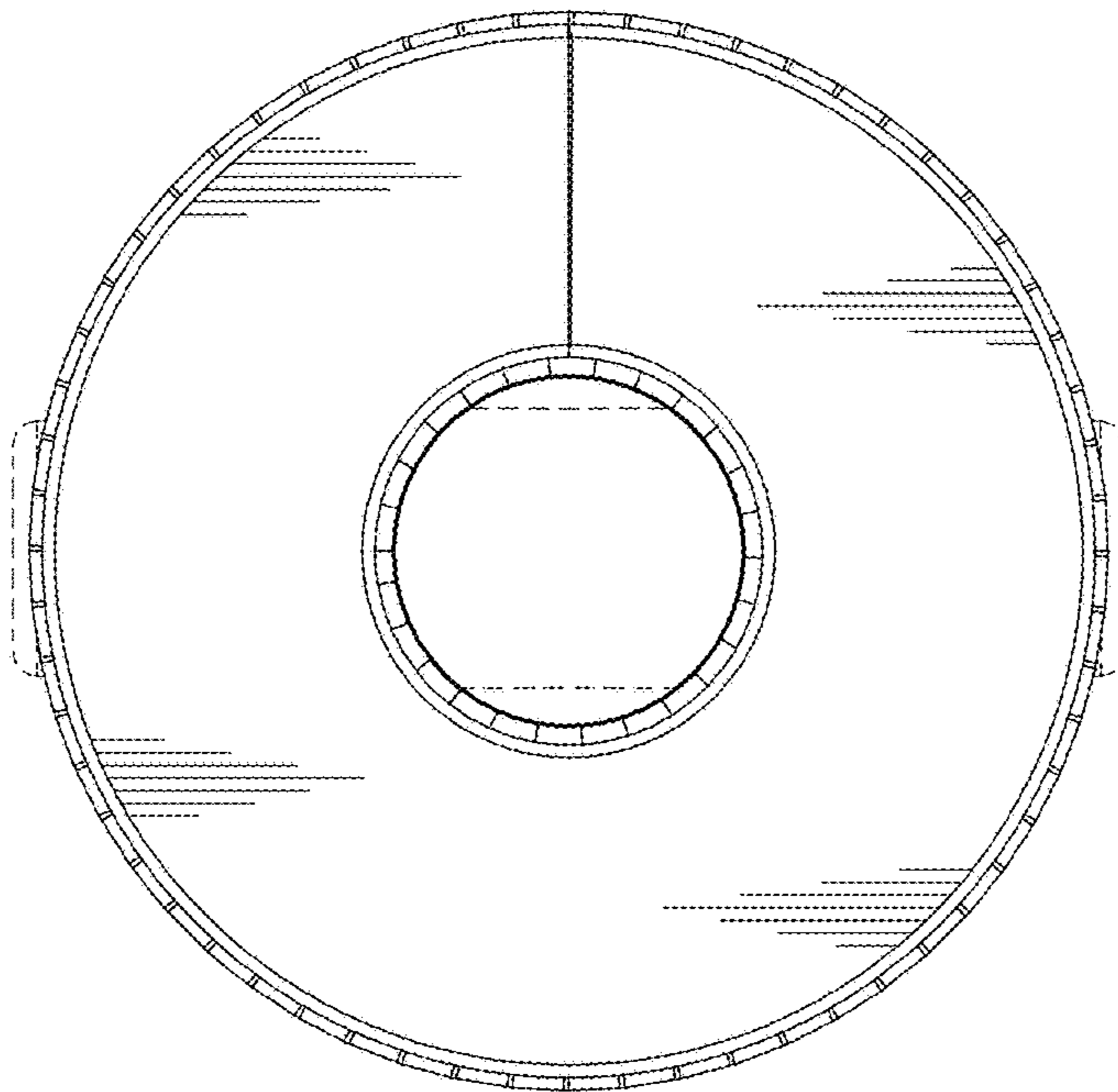


FIG. 7

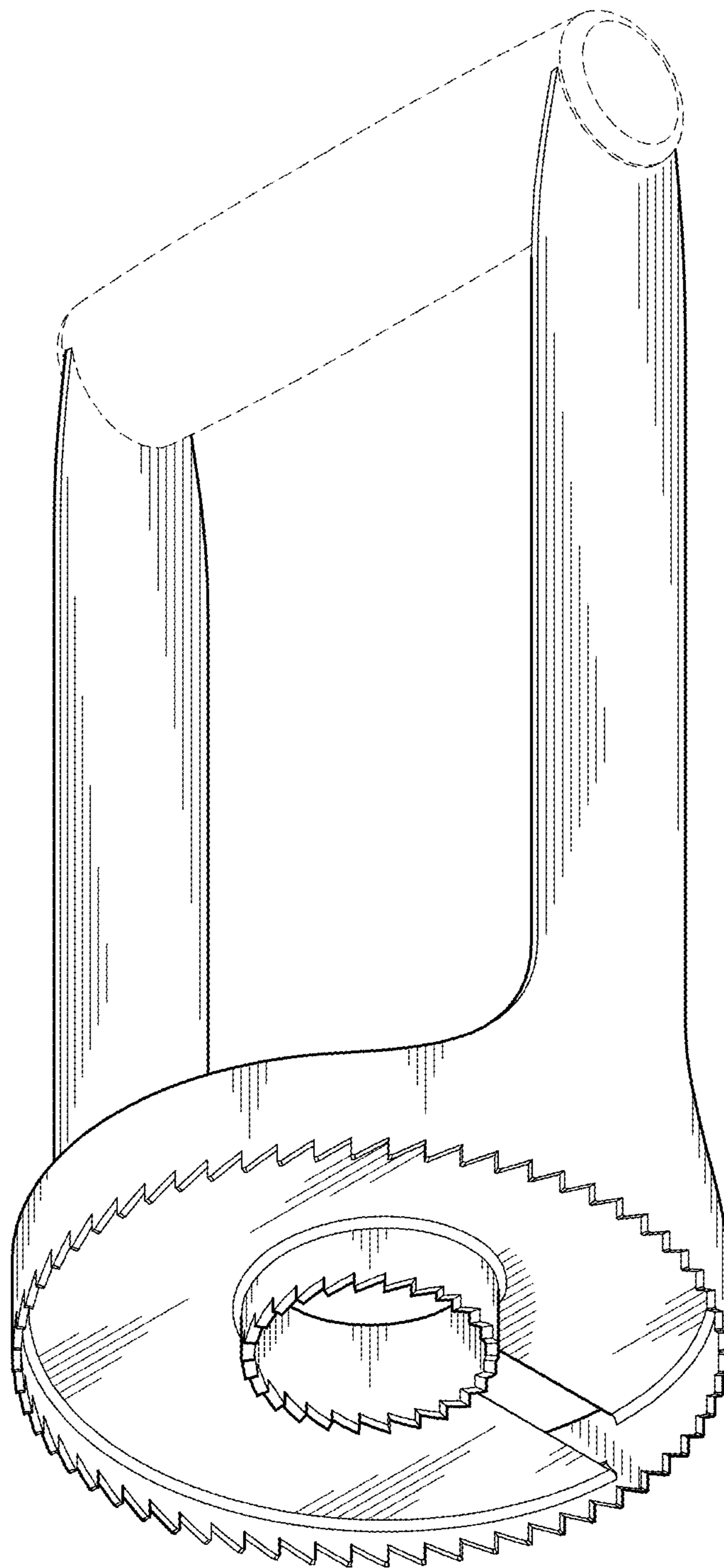


FIG.8

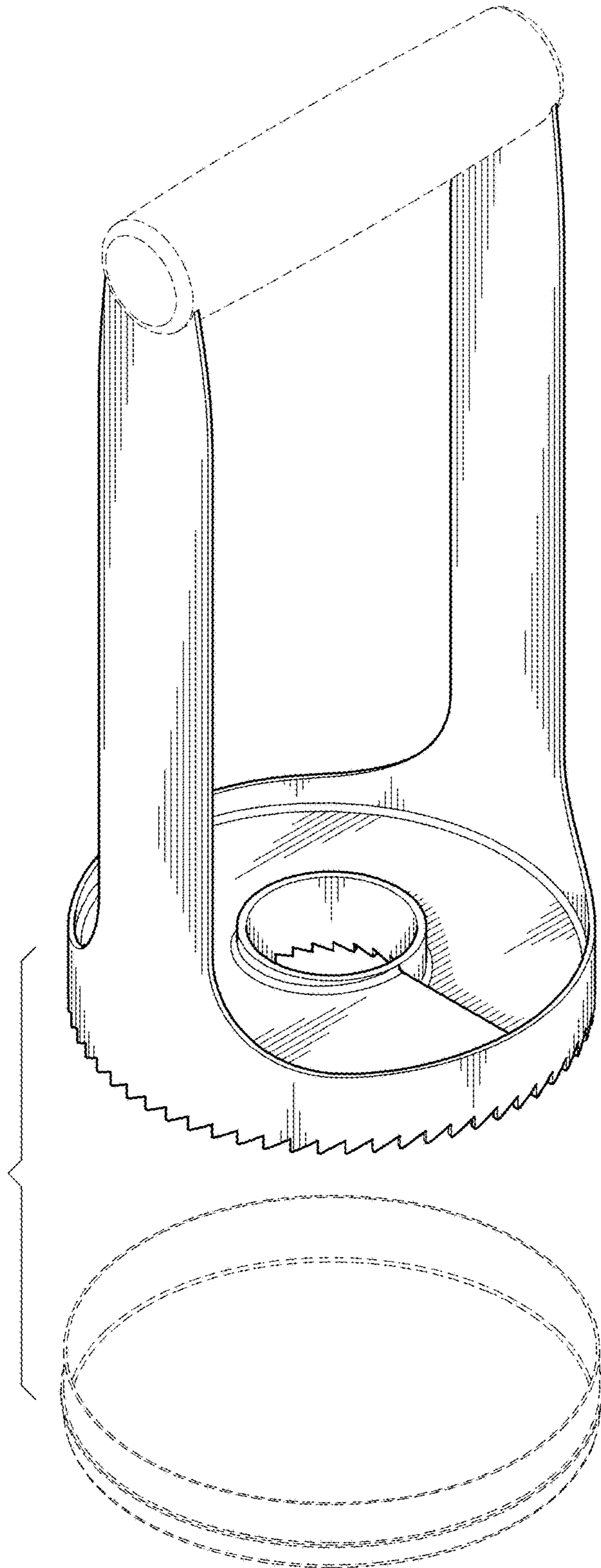


FIG.9