



US00D791554S

(12) **United States Design Patent**
Hartshorn et al.

(10) **Patent No.:** **US D791,554 S**
(45) **Date of Patent:** **** Jul. 11, 2017**

(54) **GRATER**

(71) Applicant: **Joseph Joseph Ltd.**, London (GB)

(72) Inventors: **Richard Hartshorn**, London (GB);
Edward Goodwin, London (GB)

(73) Assignee: **Joseph Joseph Ltd.**, London (GB)

(**) Term: **15 Years**

(21) Appl. No.: **29/559,945**

(22) Filed: **Apr. 1, 2016**

(30) **Foreign Application Priority Data**

Nov. 2, 2015 (EM) 002844456-0004

(51) **LOC (10) Cl.** **07-04**

(52) **U.S. Cl.**
USPC **D7/678**

(58) **Field of Classification Search**
USPC D7/678, 368, 669; D8/90
CPC .. A47J 43/25; A47J 17/02; A47J 17/04; A47J
43/255; A47J 43/00; B23D 71/04; B23D
71/06; B26D 1/30; B26D 7/18
See application file for complete search history.

(56) **References Cited**

U.S. PATENT DOCUMENTS

D577,552 S * 9/2008 Chalfant D7/678
D605,906 S * 12/2009 Smith D7/678

D666,064 S * 8/2012 Smith D10/46.2
D695,579 S * 12/2013 Kestenbaum D7/678
D737,107 S * 8/2015 McGuyer D7/678
2003/0035693 A1* 2/2003 Chalfant A47J 43/25
407/29.1
2004/0247403 A1* 12/2004 Grace A47J 43/25
407/29.15
2010/0012758 A1* 1/2010 Chalfant A47J 43/25
241/95

* cited by examiner

Primary Examiner — Terry Wallace

(74) *Attorney, Agent, or Firm* — Millen White Zelano & Branigan, P.C.

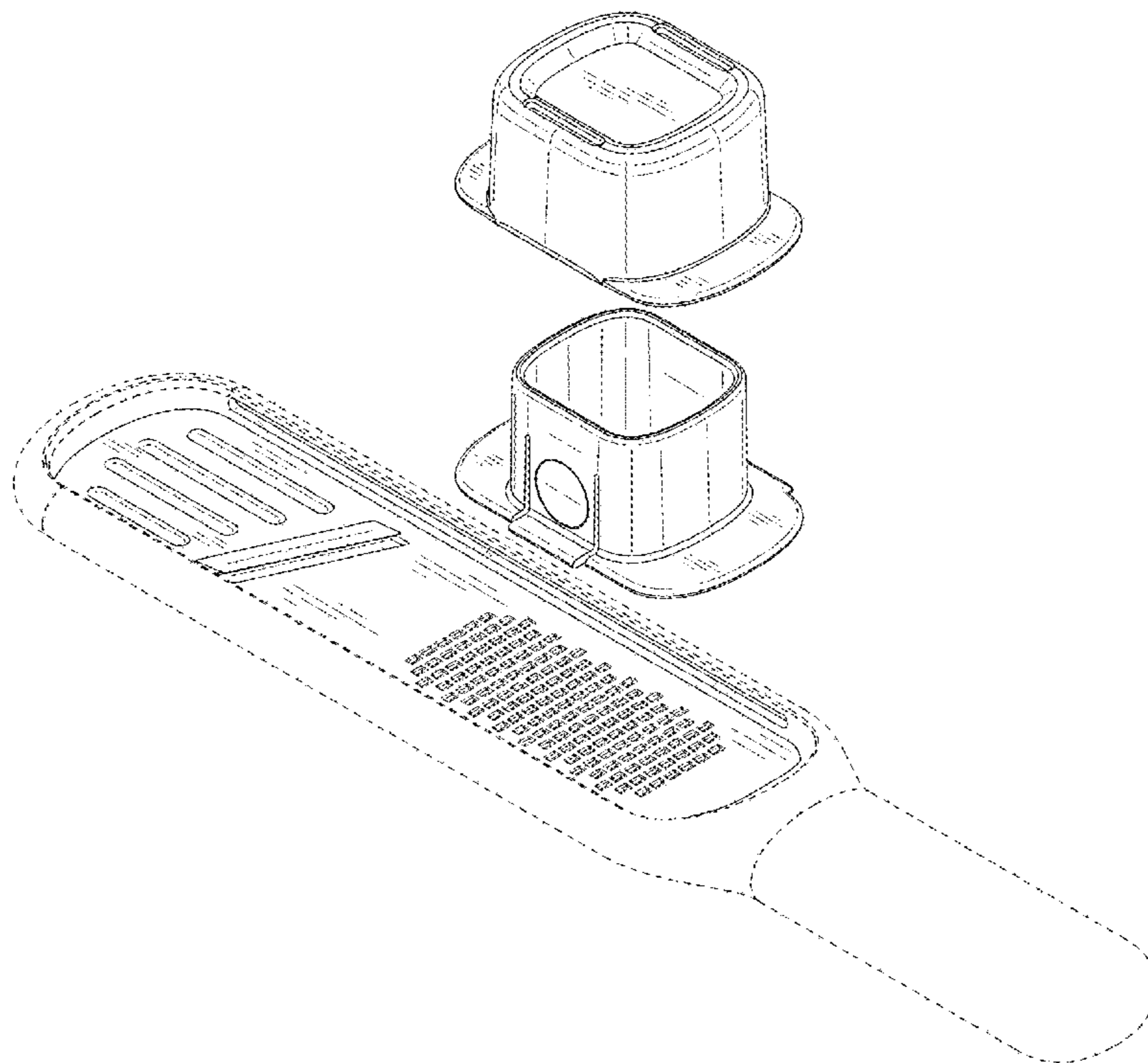
(57) **CLAIM**

The ornamental design for a grater, as shown and described.

DESCRIPTION

FIG. 1 is a top perspective view of the grater showing my new design.
FIG. 2 is another top perspective view thereof.
FIG. 3 is a side view thereof.
FIG. 4 is another side view thereof.
FIG. 5 is a front view thereof.
FIG. 6 is a back view thereof.
FIG. 7 is a top view thereof.
FIG. 8 is a bottom view thereof; and,
FIG. 9 is an exploded top perspective view thereof.
The broken lines in the drawings illustrate portions of the grater which form no part of the claimed design.

1 Claim, 9 Drawing Sheets



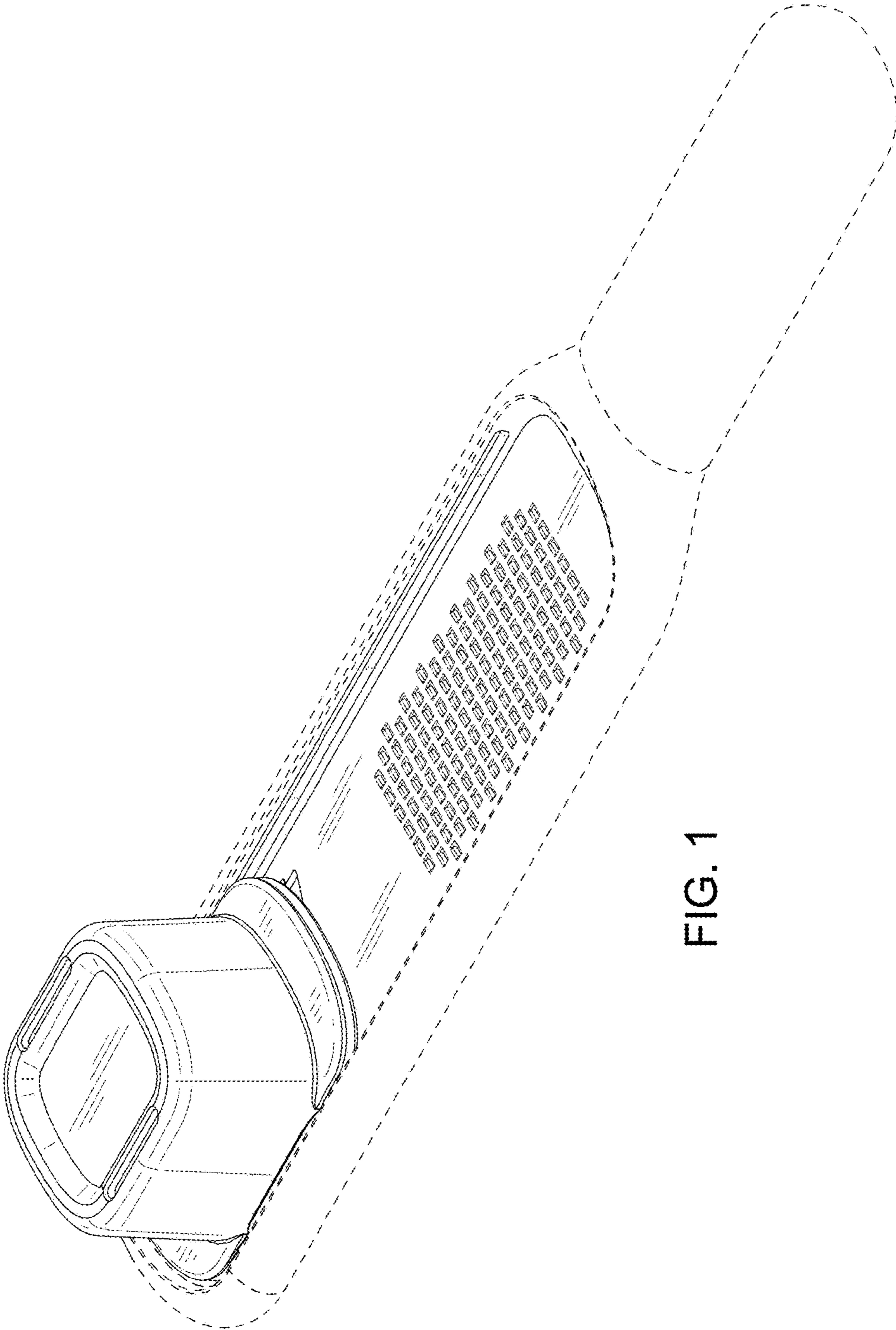


FIG. 1

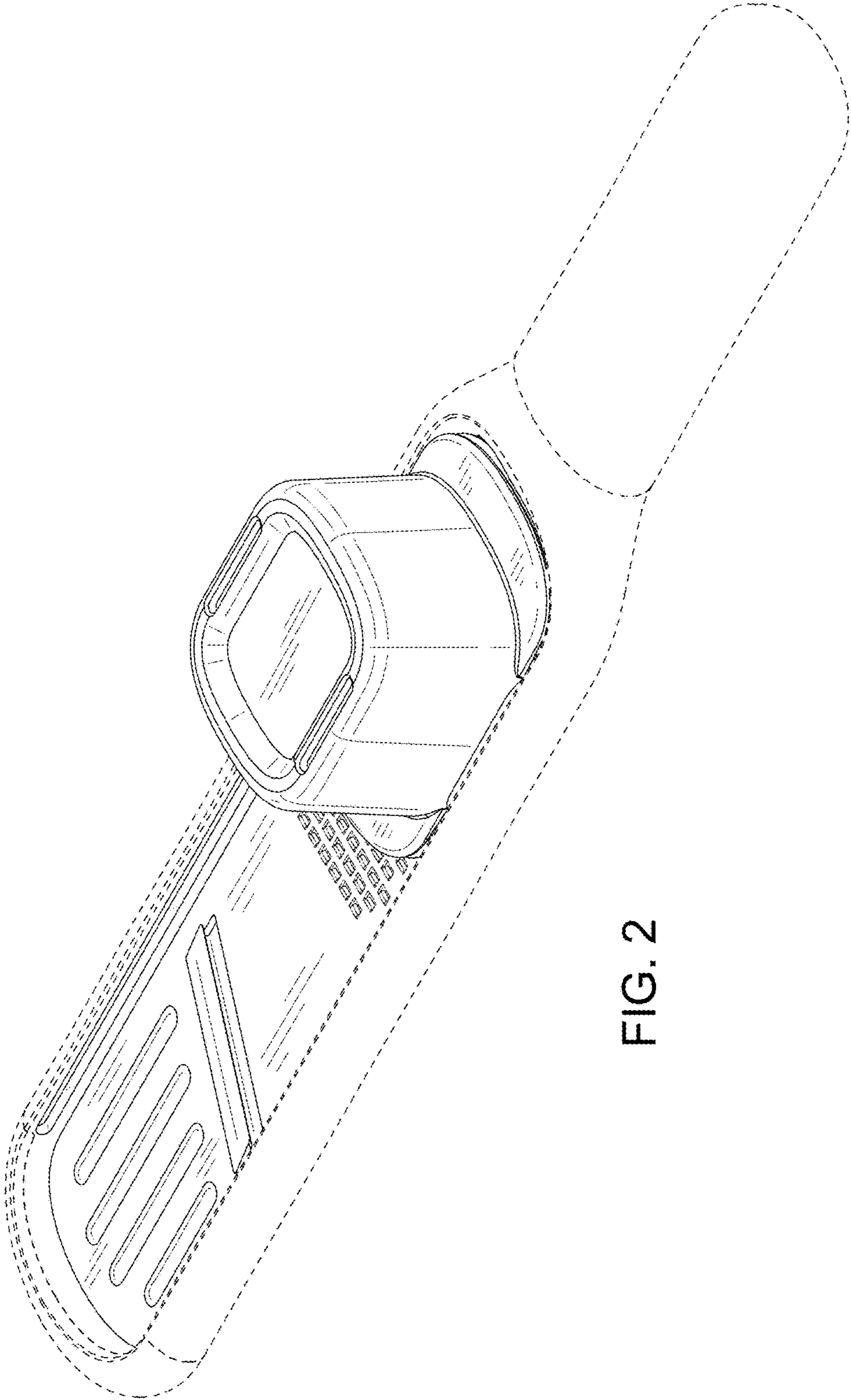


FIG. 2

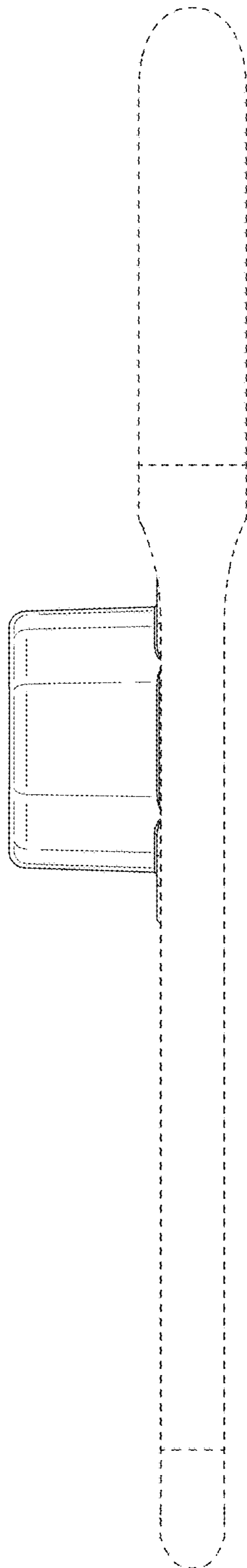


FIG. 3

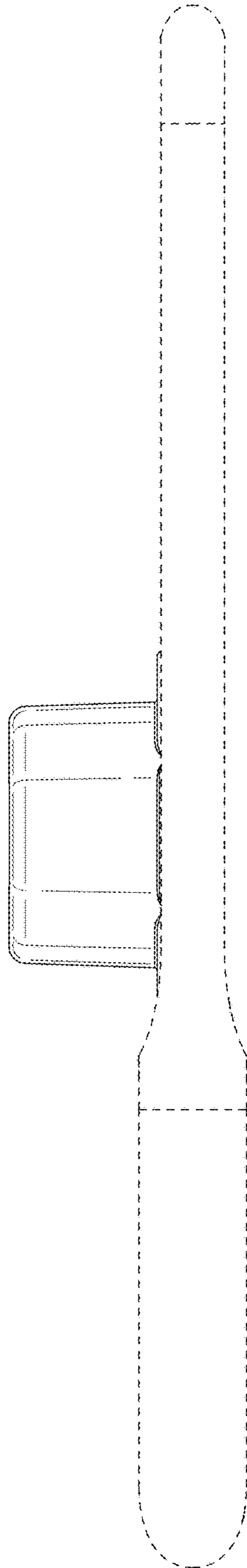


FIG. 4

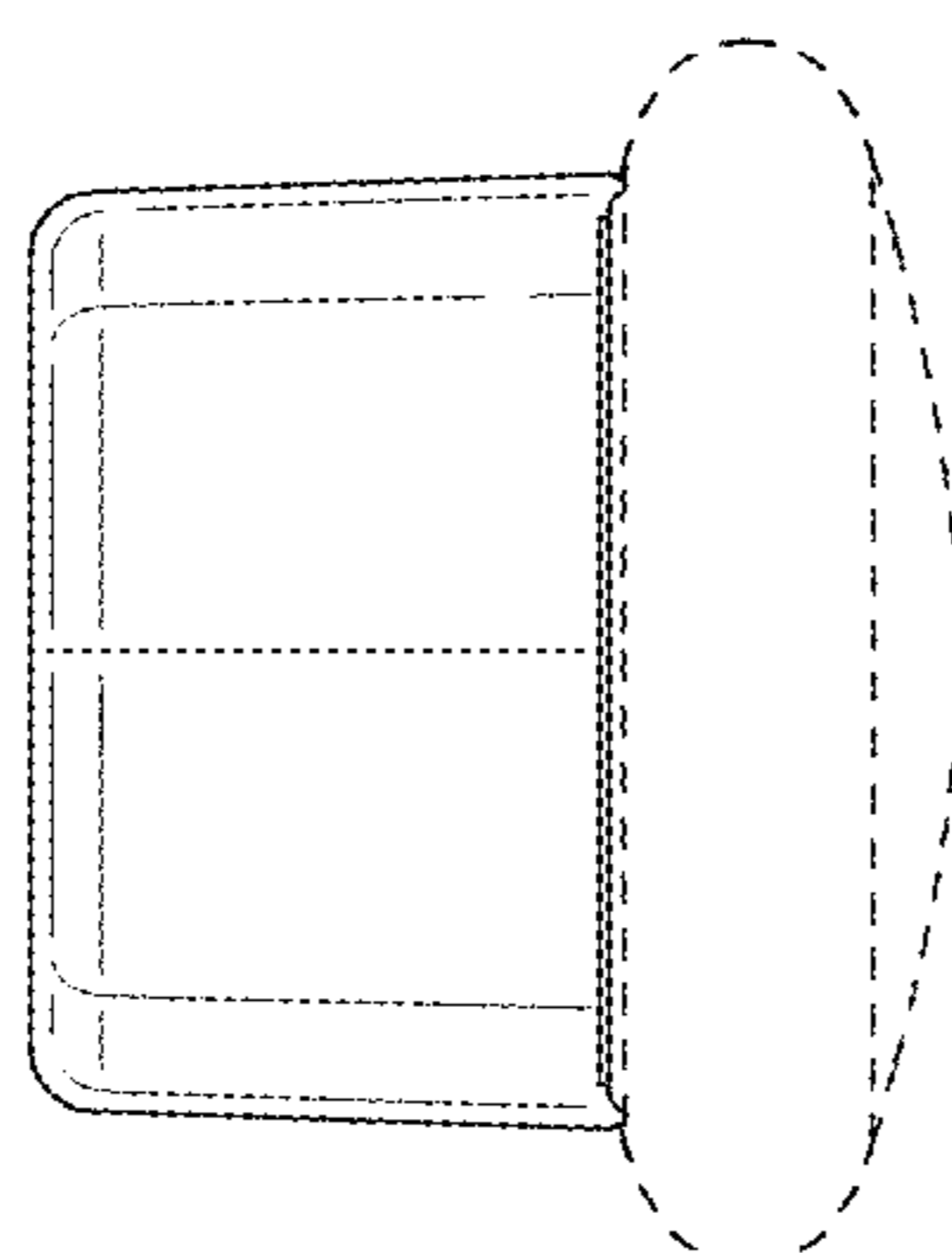


FIG. 5

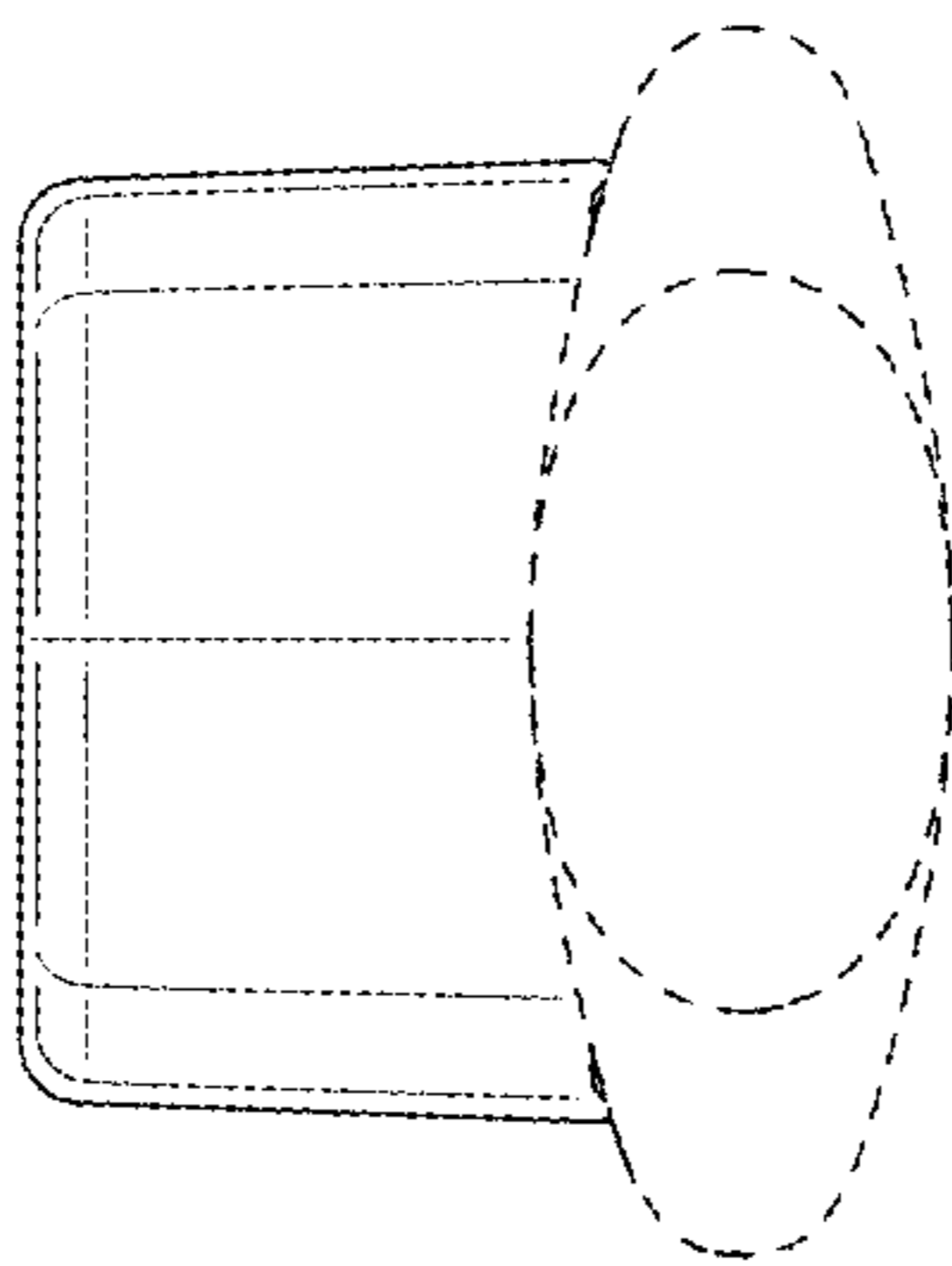


FIG. 6

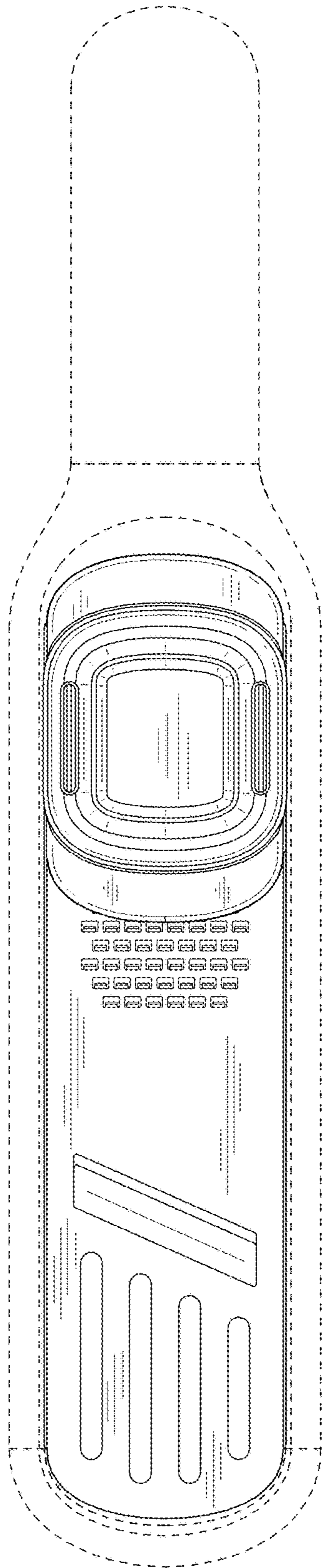


FIG. 7

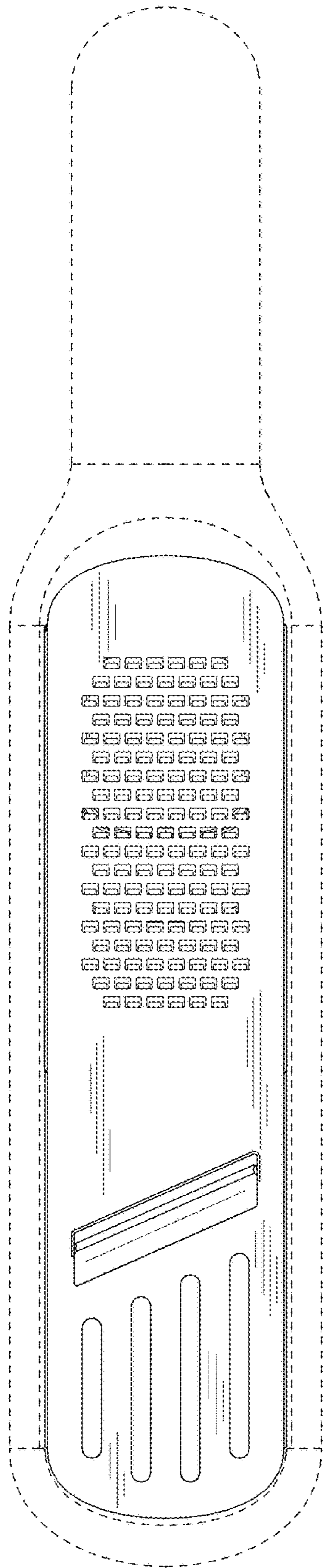


FIG. 8

FIG. 9

